



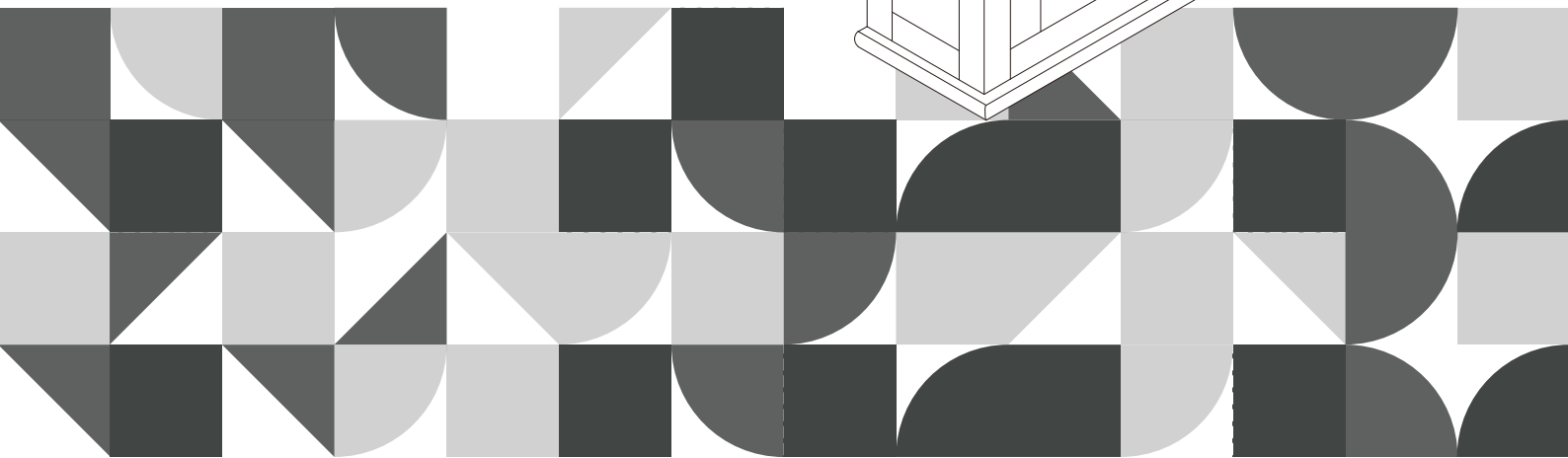
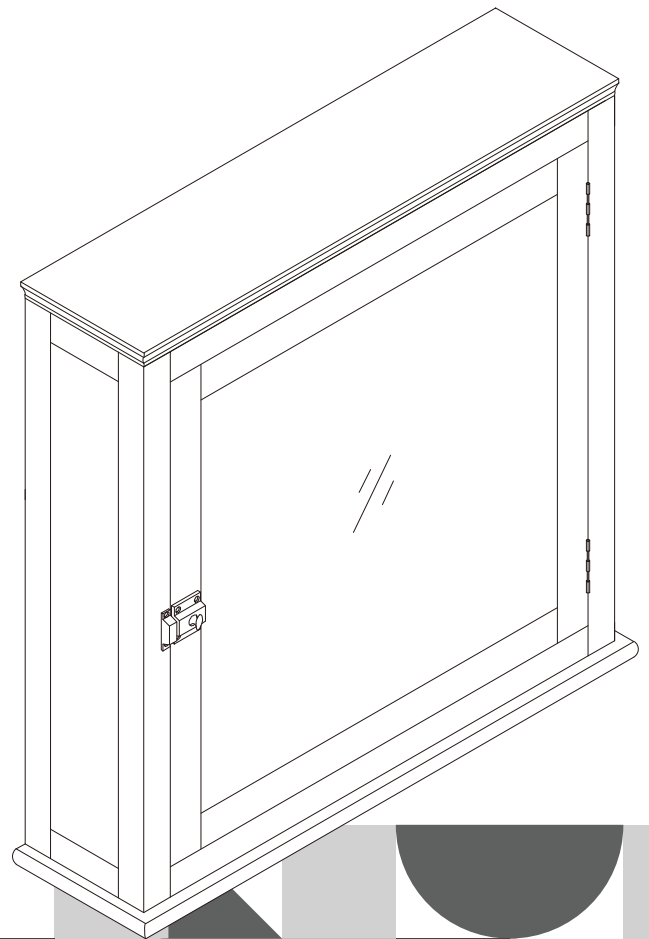
Extended Warranty  
Sign Up

E-1

# Welcome home!

**7039**

**TEAMSON HOME  
Medicine Cabinet  
w/ 1 Door**





**Questions? Comments? Need help?  
Call or email us any time!**

## Global Customer Service

**USA**

**+1(800)935-3959**

Mon - Fri 10:00am ~ 2:00pm EST

✉ [support@teamson.com](mailto:support@teamson.com)

**EU/UK**

**+44(0)1952-916-050**

Mon - Thu 9:00am ~ 5:00pm GMT

Friday 9:00am ~ 4:00pm GMT

✉ [support@teamson.co.uk](mailto:support@teamson.co.uk)

**ASIA**

深圳办公室:

**+86(0755)8885-3558.分机号331**

Mon - Sat 9:00am ~ 5:00pm GMT+8

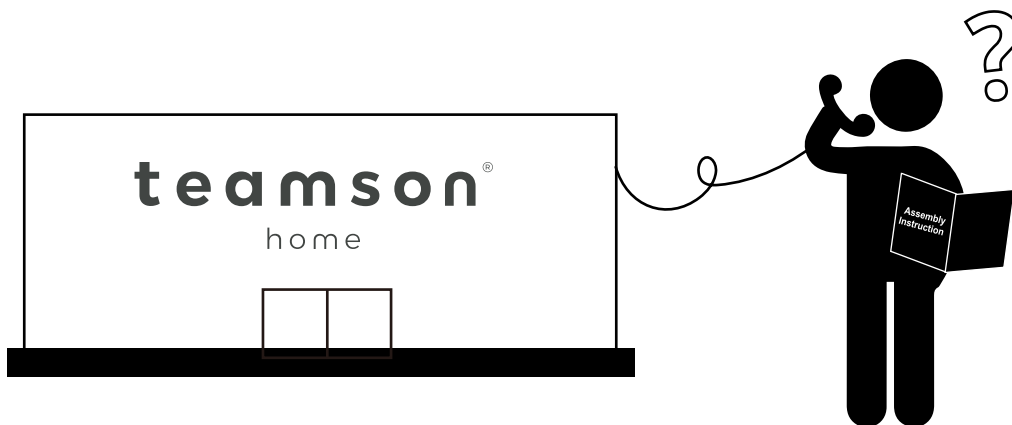
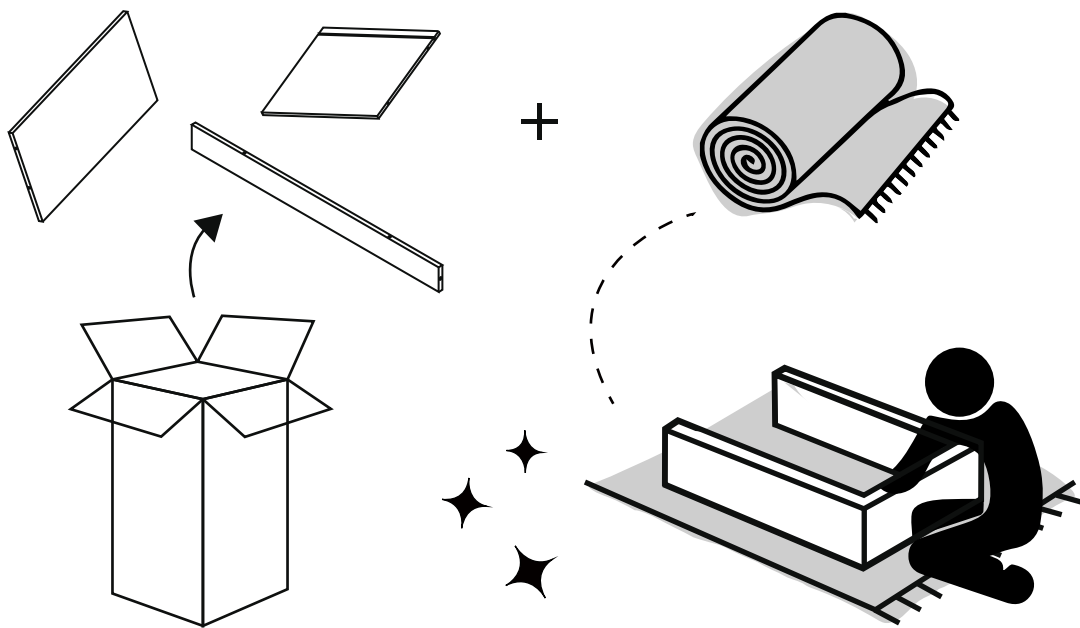
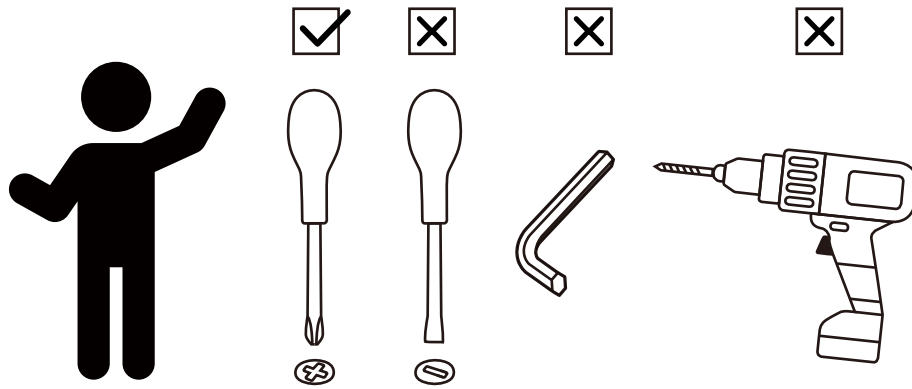
✉ [sales\\_ec@teamson.com](mailto:sales_ec@teamson.com)

台北办公室:

**+886(2)2556-6268**

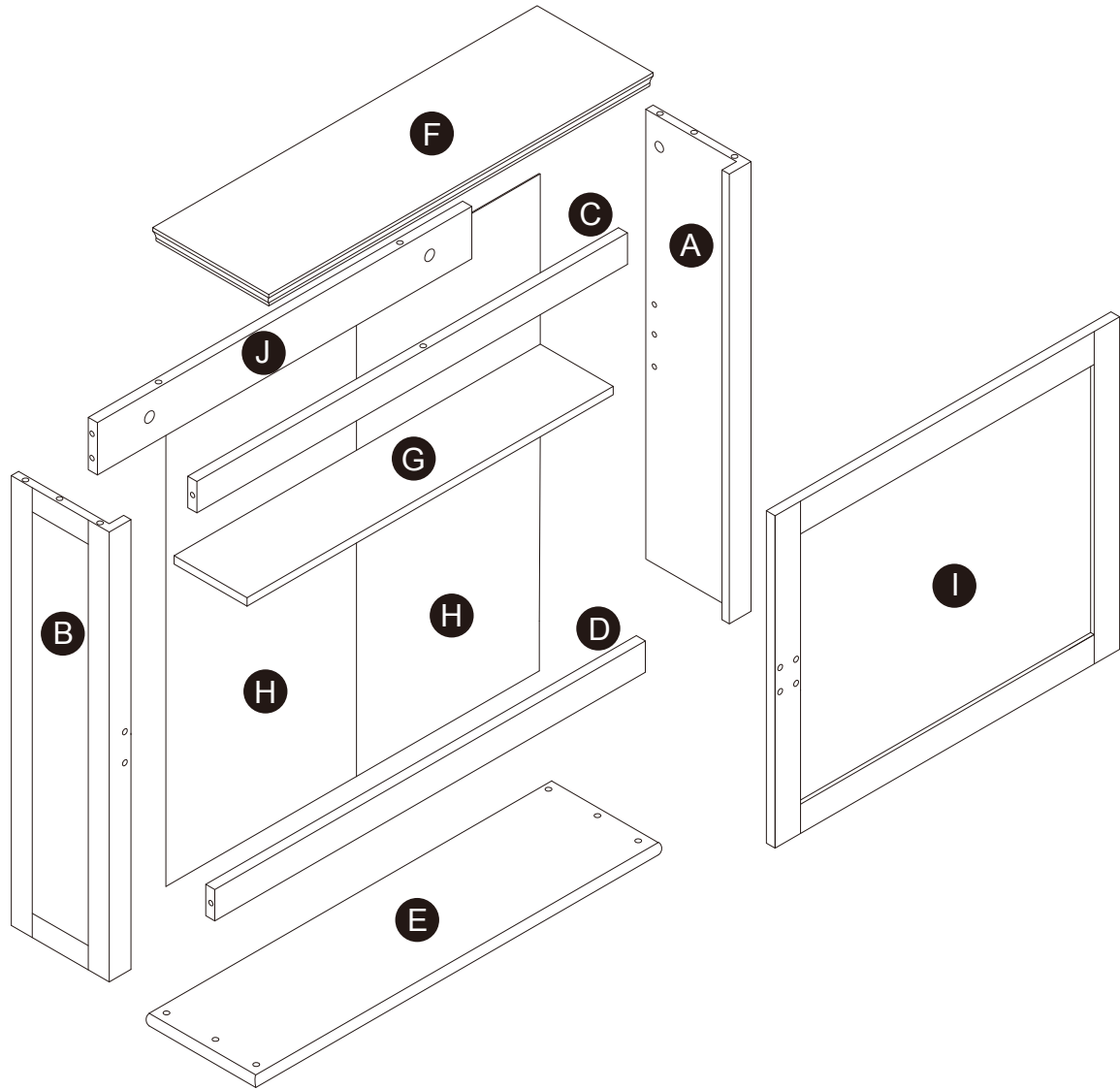
Mon - Fri 9:00am ~ 5:00pm GMT+8

✉ [sales\\_ec@teamson.com](mailto:sales_ec@teamson.com)



\*\* Got questions? Please have your product code (on the first page of this instruction, e.g. TD-12345A) and the order number ready, give us a call or email us through our customer care support! We are always ready to assist you!

# Exploded Drawing



Scan for assembly instructions.

## Product Parts

A



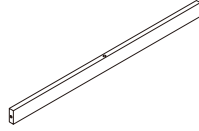
1 PC

B



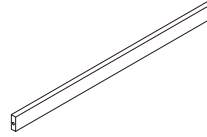
1 PC

C



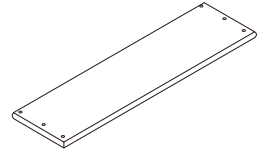
1 PC

D



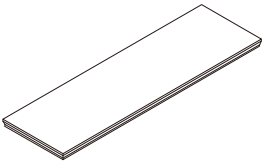
1 PC

E



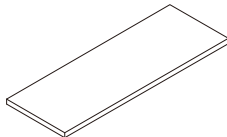
1 PC

F



1 PC

G



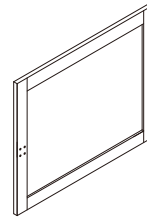
1 PC

H



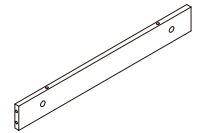
2 PCS

I



1 PC

J



1 PC

### **! Care Instructions**

Dust surface with a dry soft cloth. Do not use window cleaners or cleaning abrasives as they will scratch the surface and could damage the protective coating

### **! WARNING**

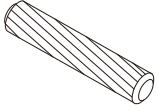
Small parts and sharp edges may be present prior to assembly.



Scan for assembly instructions.

# Hardware

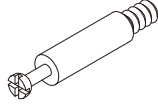
1



Ø8\*30mm

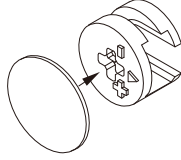
14 PCS

2



8 PCS

3



Ø15\*9

8 PCS

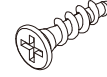
4



Ø3\*12 D=7

14 PCS

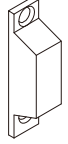
5



Ø3\*12mm  
D=6

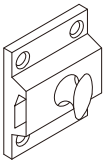
6 PCS

6



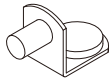
1 PC

7



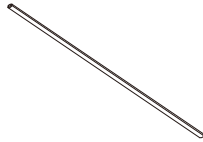
1 PC

8



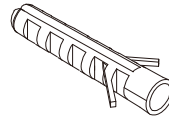
4 PCS

9



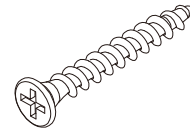
1 PC

10



2 PCS

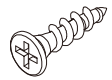
11



Ø4\*35mm

2 PCS

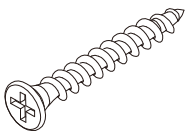
12



Ø3\*12mm  
D=5

4 PCS

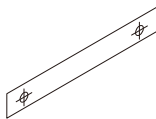
13



Ø4\*25mm

1 PC

14




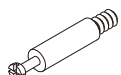
1 PC



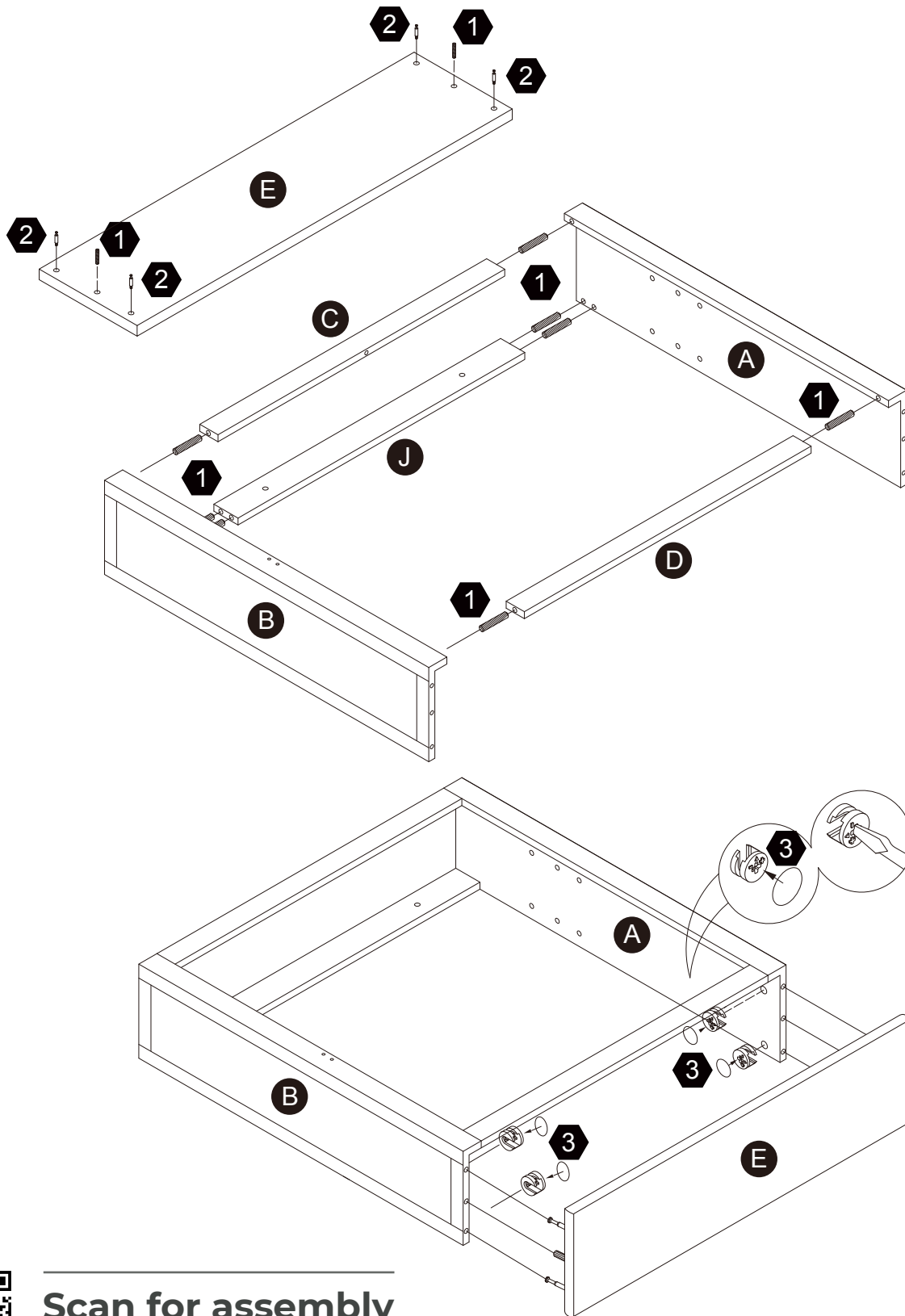
Scan for assembly instructions.

# Step 1

1  10 pcs  
Ø8\*30mm

2  4 pcs

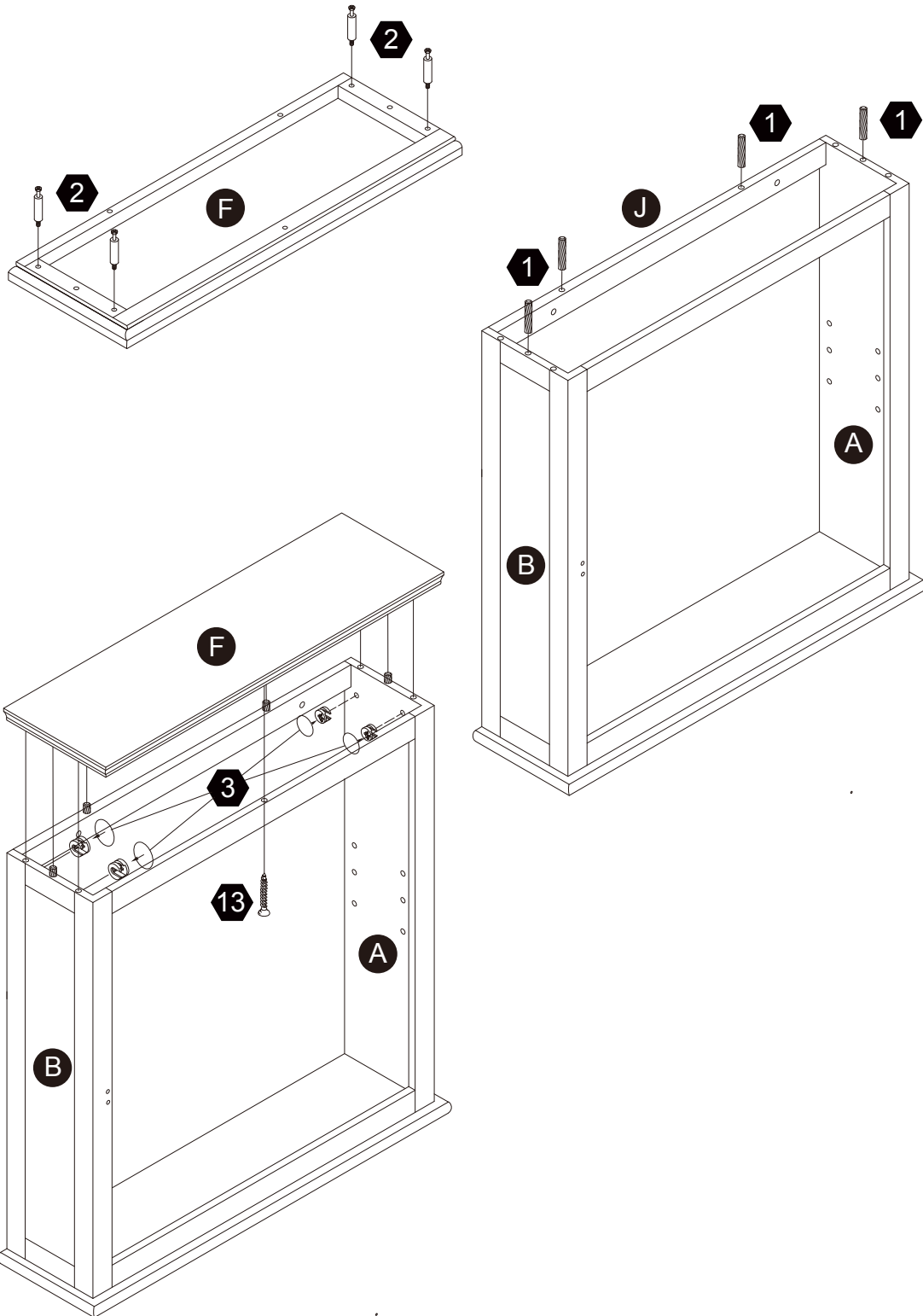
3  4 pcs  
Ø15\*9



Scan for assembly instructions.

## Step 2

- 1**  4 pcs  $\text{Ø}8*30\text{mm}$     **2**  4 pcs    **3**  4 pcs  $\text{Ø}15*9$     **3**  1 pc  $\text{Ø}4*25\text{mm}$

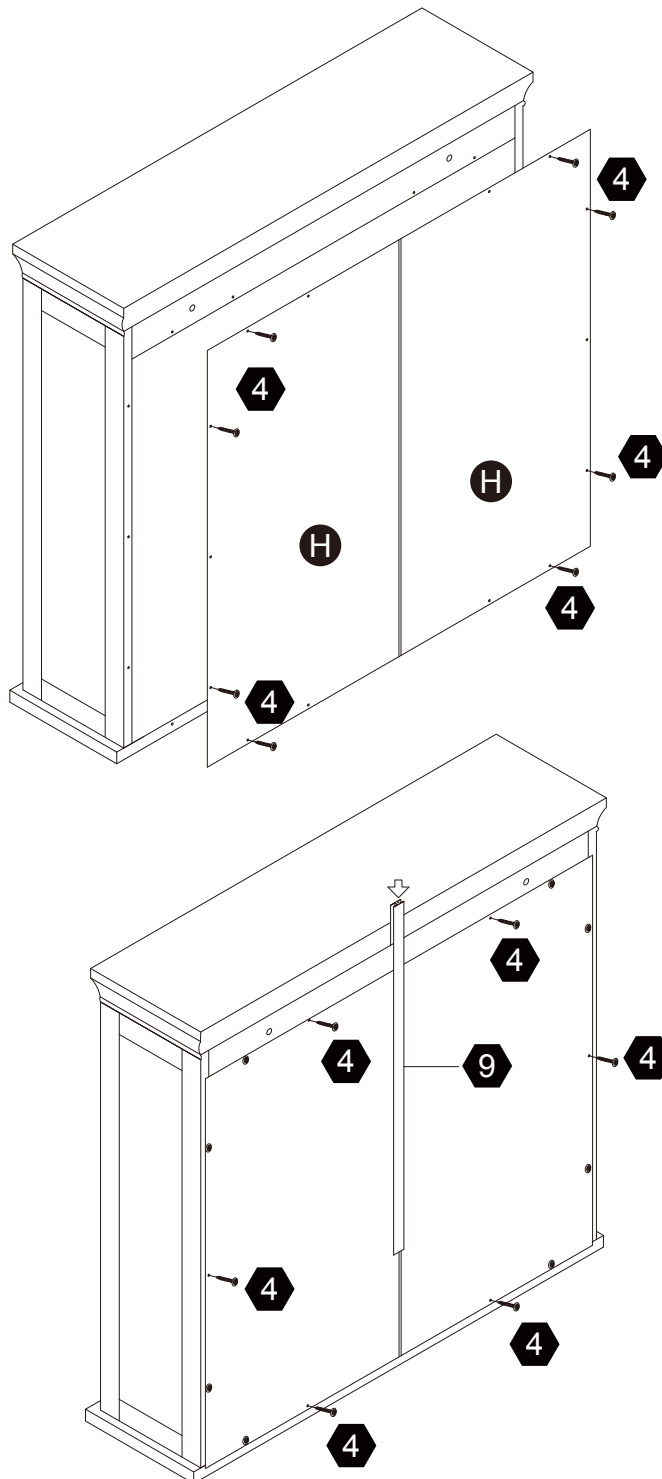


Scan for assembly instructions.







# Step 3

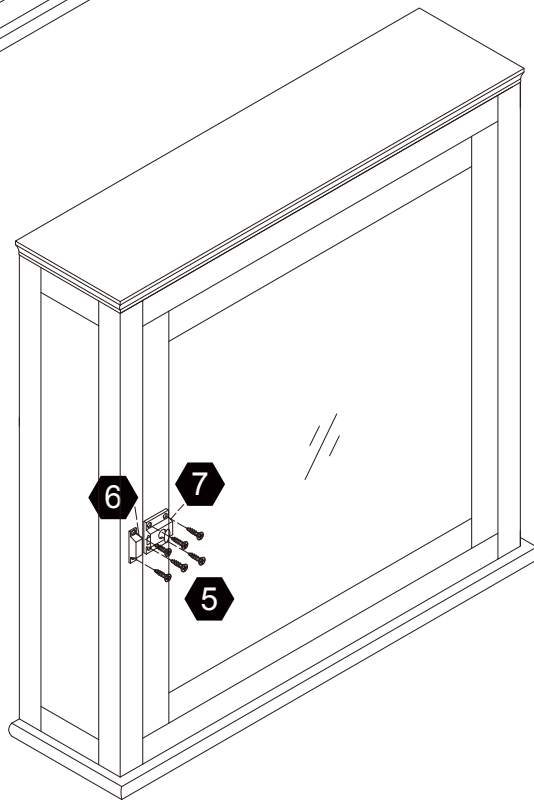
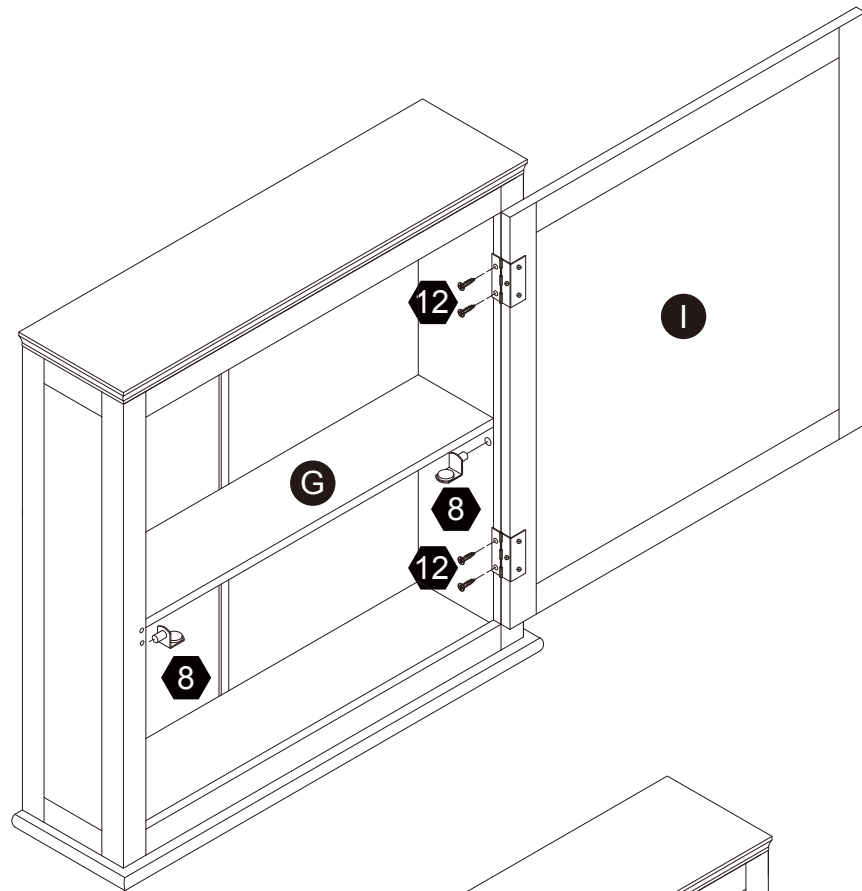
4  14 pcs 9  1 pc  
Ø3\*12 D=7



Scan for assembly instructions.

## Step 4

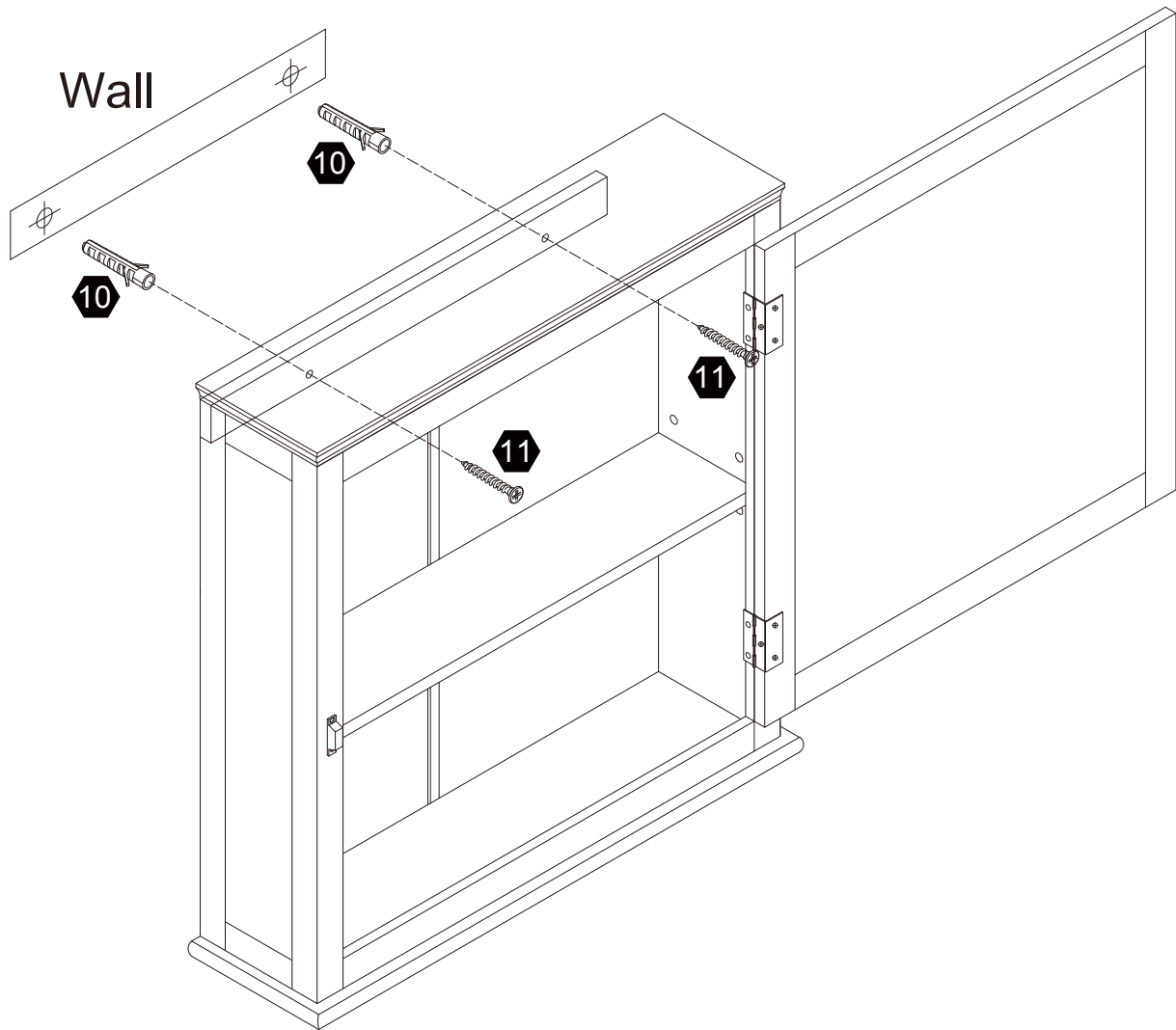
- 5**  6 pcs  
Ø3\*12mm  
D=6
- 6**  1 pc
- 7**  1 pc
- 8**  4 pcs
- 12**  4 pcs  
Ø3\*12mm  
D=5



Scan for assembly  
instructions.

## Step 5

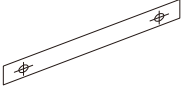
**10**  2 pcs    **11**  Ø4\*35mm 2 pcs



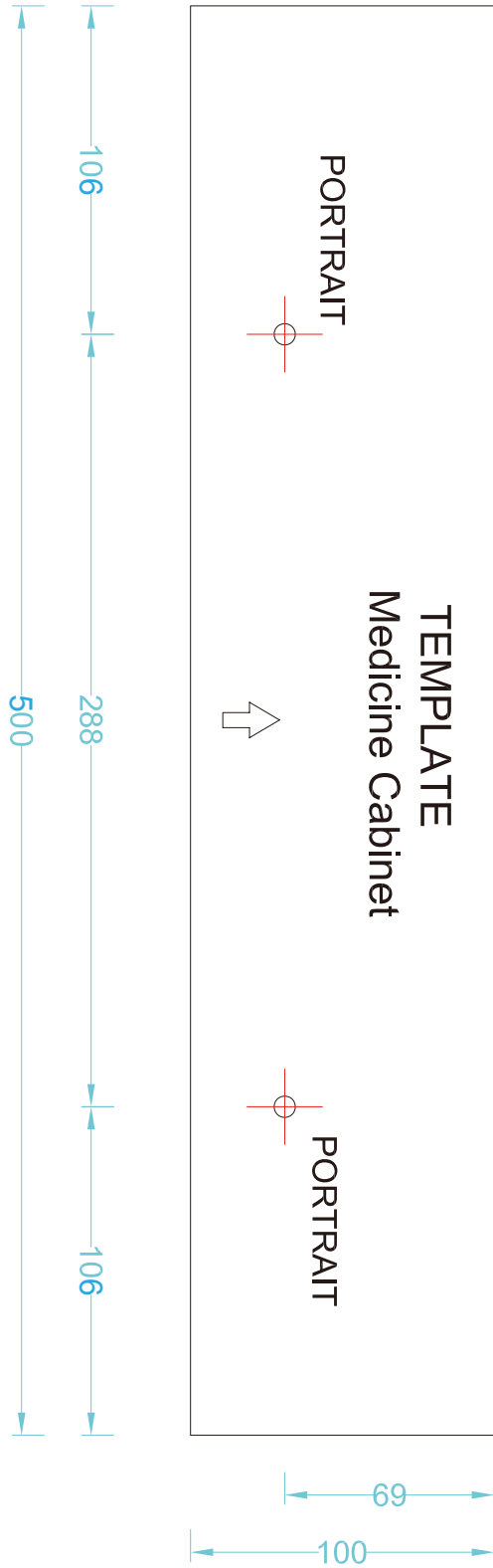
Scan for assembly instructions.

## Step 6

14



1 pc



Scan for assembly instructions.