

88 5053 80

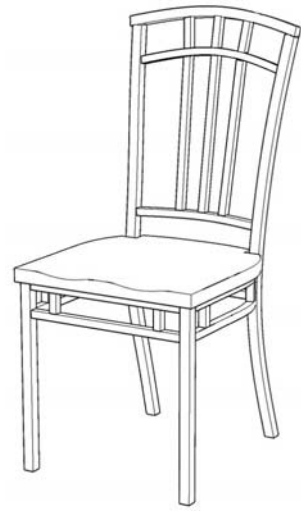
Chair

IMPORTANT NOTE

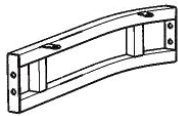
Carefully remove all the parts from the carton and put them individually on a soft cloth to prevent scratches or other damage occurring to the parts.

We have taken great care in the design of this product and request that you carefully and strictly follow our assembly instructions to ensure a completed product as it was designed.

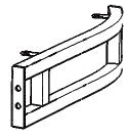
Home
Styles



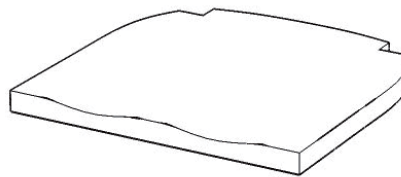
Part List



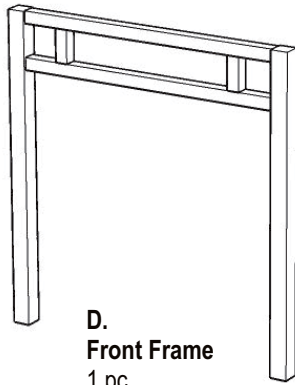
B.
Side Frame
1 pc.



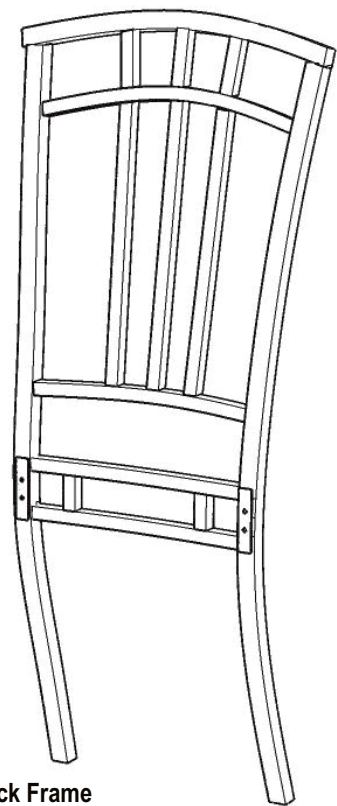
C.
Side Frame
1 pc.



A.
Seat
1 pc.

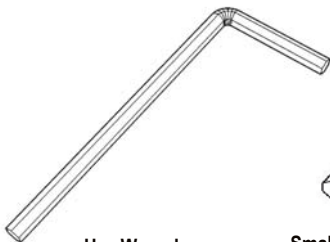


D.
Front Frame
1 pc.



E.
Back Frame
1 pc.

Hardware List



Hex Wrench
1 pc.



Small Hex Wrench
1 pc.



**M6x16
Head Cap Bolt**
8 pcs. (+1 extra)



Spring Washer
8 pcs. (+1 extra)



Flat Washer
8 pcs. (+1 extra)



**M4x16
Wood Screw**
4 pcs. (+1 extra)

Tools required for assembly : Level

Home Styles Consumer Assistance : www.homestyles-furniture.com,
servicedesk@homestyles-furniture.com, 888-680-7460, 877-831-0319

IMPORTANT

- * Please keep Hex Wrench in a safe place as you may need to tighten up the Head Cap Bolts in the future.
- * Do not tighten all the Head Cap Bolts until each part is properly assembled.
- * Use a soft cloth between these parts and the floor.
- * Please make sure unit is level before tightening these screws.

STEP 1

Attach Side Frames (B) and (C) to Back Frame (E) with Flat Washers, Spring Washer and Head Cap Bolts, tightening the bolts only half way. (See Figure 1)

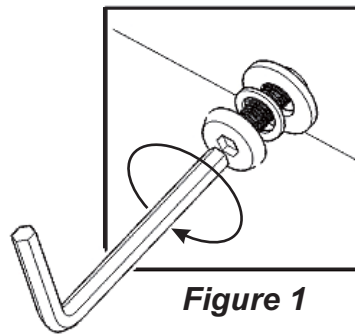
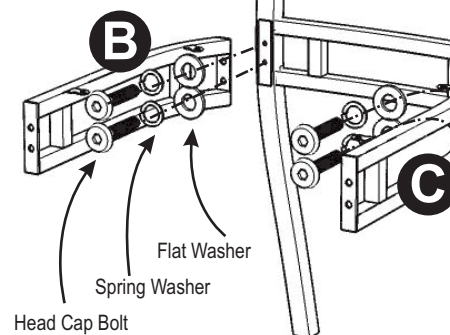
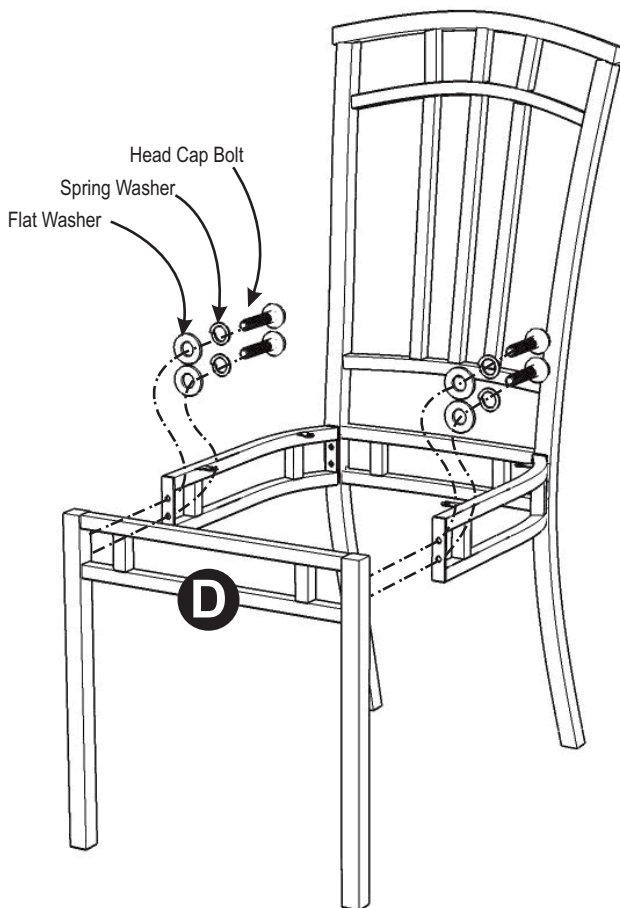


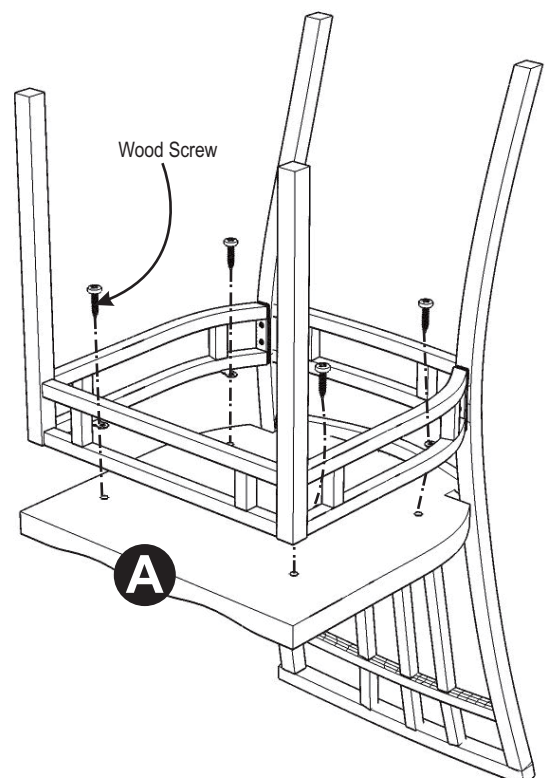
Figure 1



STEP 2

Attach Front Frame (D) to unit with Flat Washers, Spring Washers and Head Cap Bolts, tightening the bolts only half way.

Tighten all Head Cap Bolts.



STEP 3

Place Seat (A) upside down on a soft cloth.

Attach unit to Seat (A) with Wood Screws. (See Figure 2)

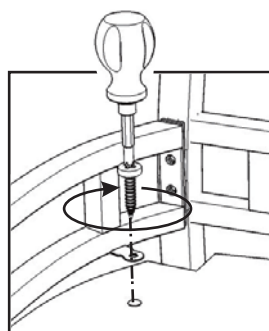


Figure 2