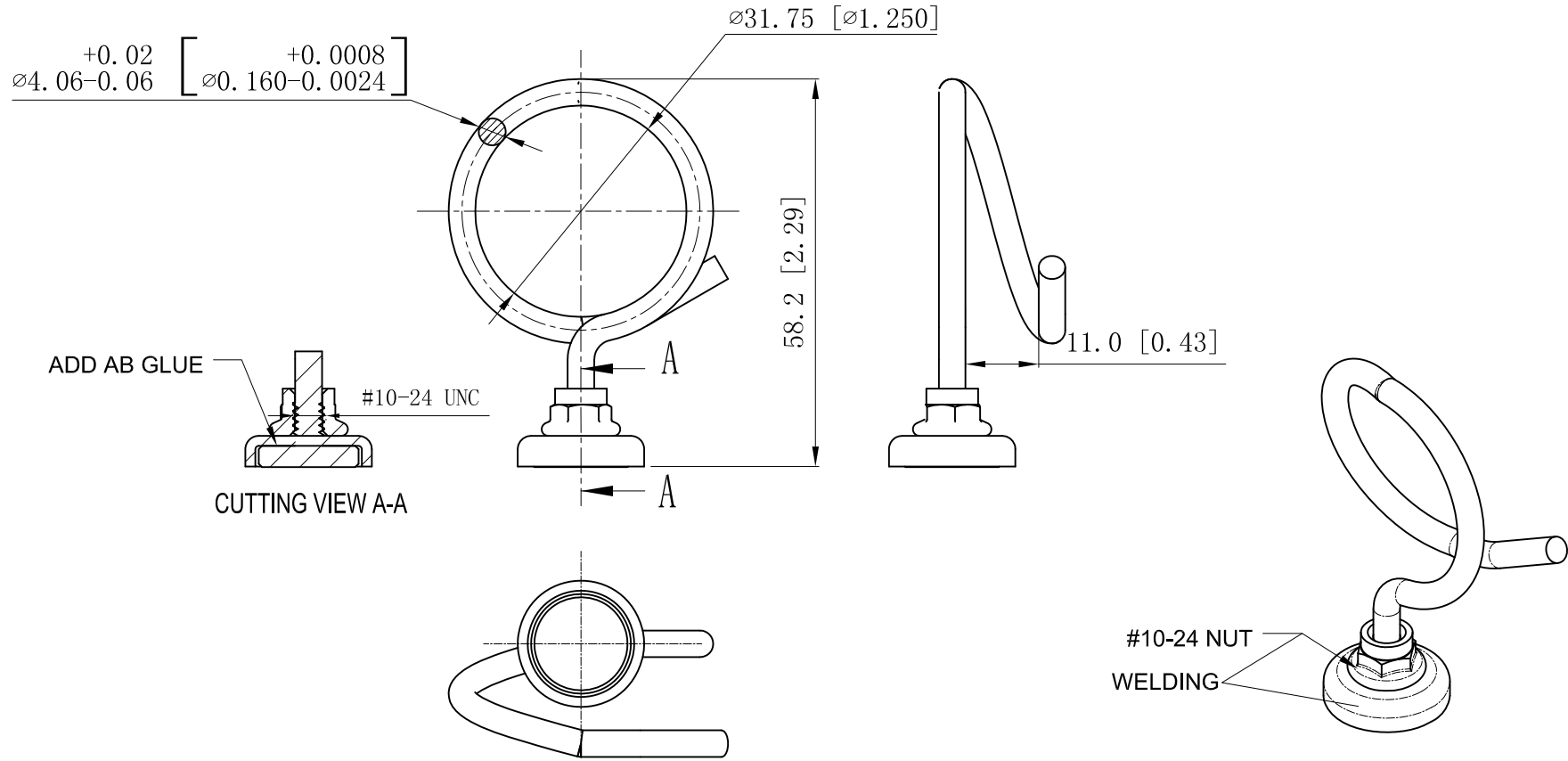


SIDES	BOTTOM
Material: Steel - 0.16" - (C1008-C1018) Black powder coating	



This data sheet is for reference only .GARVIN INDUSTRIES reserves the right to make changes to the design without prior notice.

DESCRIPTION
TRADE REFERENCE TERMS

STANDARD PACKING

<b>GARVIN INDUSTRIES</b>		
MACHINE-SCREW BRIDLE RIGS		
SIZE A4	DWG NO. BRM-125BK	REV
DATA SHEET		