

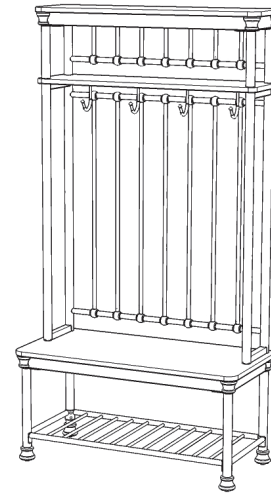
Hall Tree

IMPORTANT

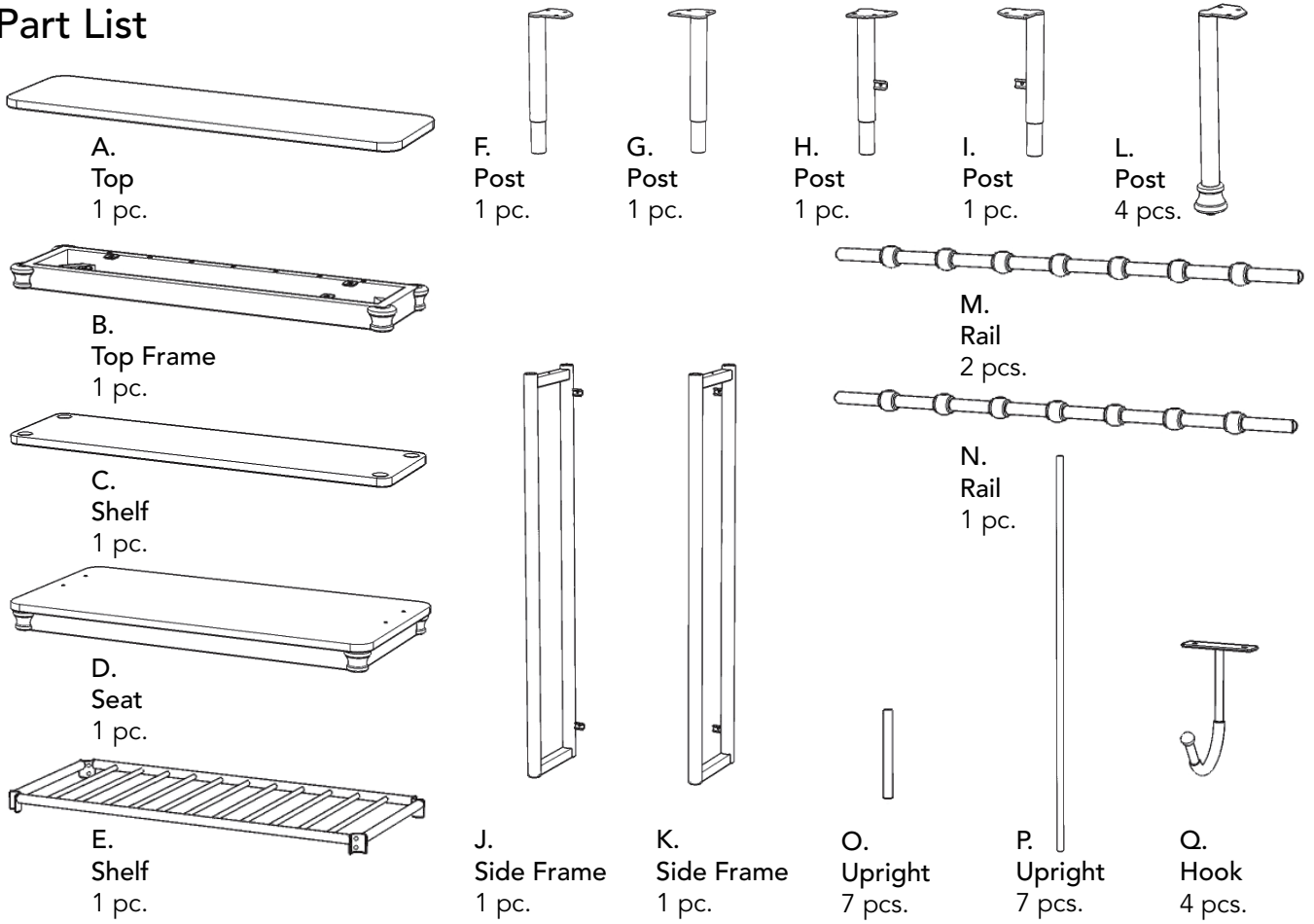
Carefully remove all the parts from the carton and place them individually on a soft cloth to prevent scratches or other damage.

Carefully and strictly follow these assembly instructions to ensure a completed product as designed.

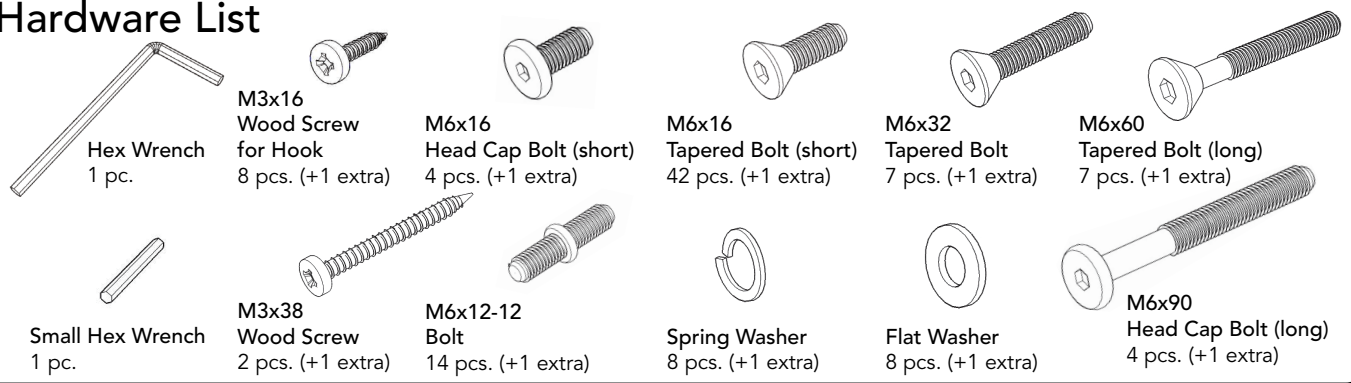
Do not use power tools above 8 volts to assemble.



Part List



Hardware List



Tool(s) required for assembly: Phillips screwdriver, Level, Drill (8 volts or less), 3/8" Drill Bit

Assembly Instructions 2/7

IMPORTANT

- Use a soft cloth between these parts and the floor.
- Do not use power tools above 8 volts to assemble.
- Do not tighten all the bolts until each part is properly assembled.
- The unit must be level to work properly. Use the included adjustable levelers to level.
- Keep Hex Wrench as the bolts may need to be tightened in the future.

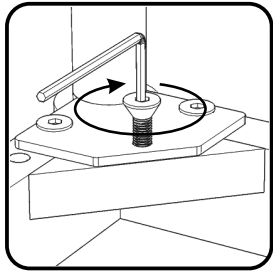
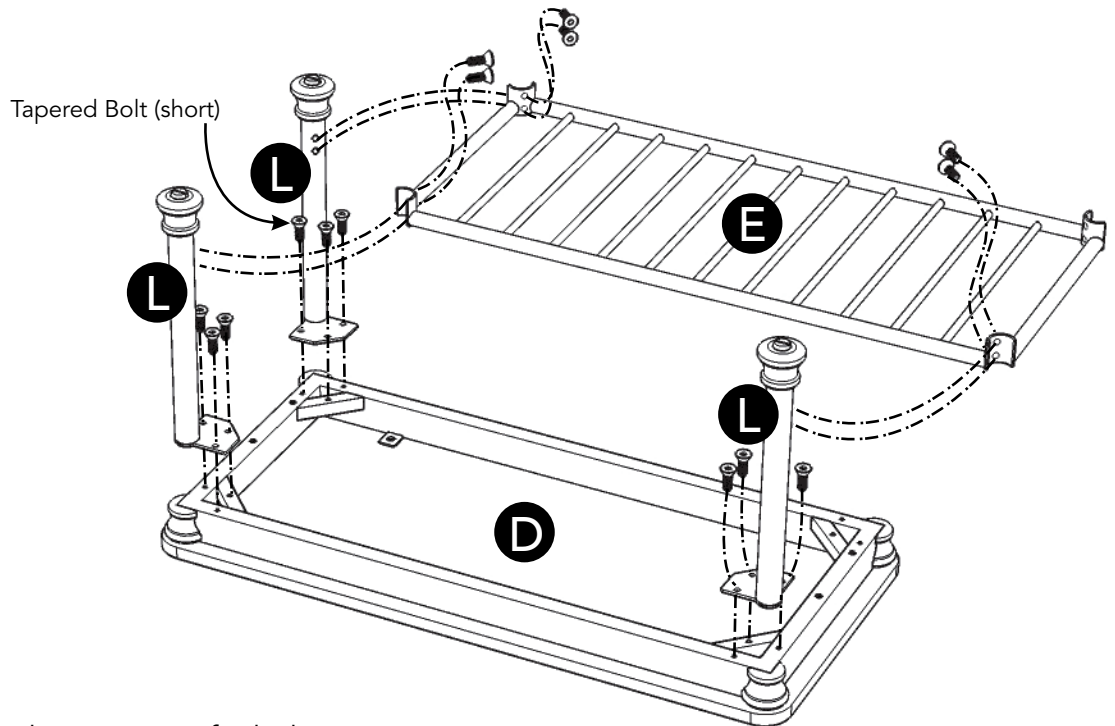


Figure 1

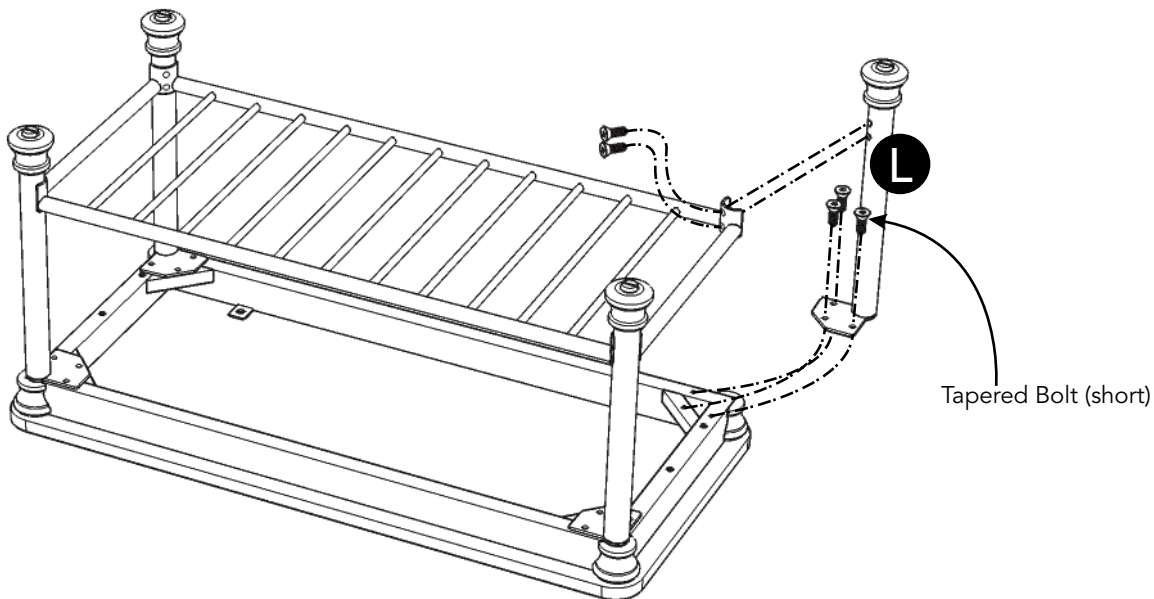


STEP 1

Place Seat (D) upside down on a soft cloth.

Attach Posts (L) to Seat (D) with Tapered Bolts (short), tightening bolts only halfway. (See Figure 1)

Attach Shelf (E) to unit with Tapered Bolts (short), tightening bolts only halfway.



STEP 2

Attach Post (L) to unit with Tapered Bolts (short), tightening bolts only halfway.

Tighten all bolts used in Steps 1 and 2.

Turn unit over to its upright position.

Assembly Instructions 3/7

STEP 3

Insert Bolts into pre-drilled holes of Uprights (P), then tighten.
(See Figure 2)

Attach Uprights (P) to Rail (M), then tighten.
(See Figure 3)

Orientate Rail (N) so Arrow label points towards Uprights (P), then attach Rail (N) to unit with Tapered Bolts.
(See Figure 4)

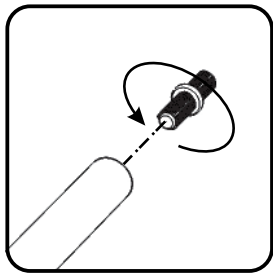
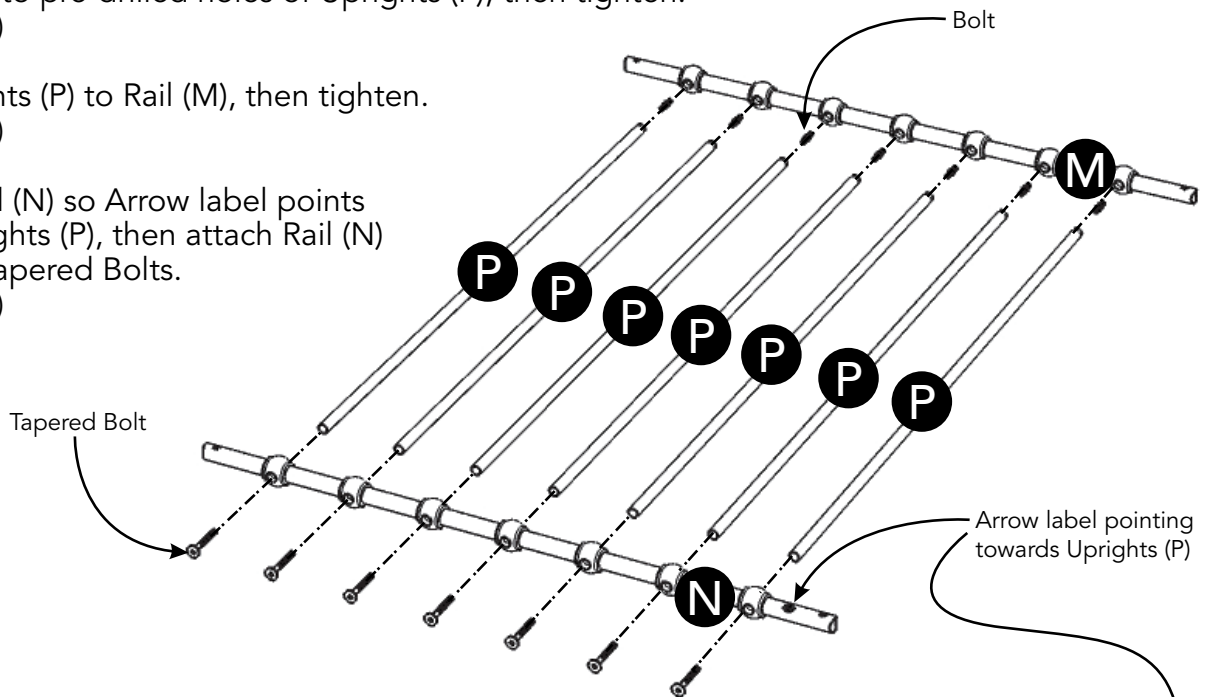


Figure 2

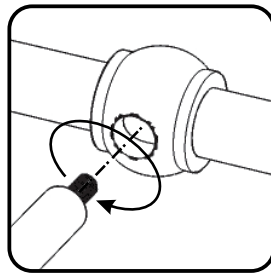


Figure 3

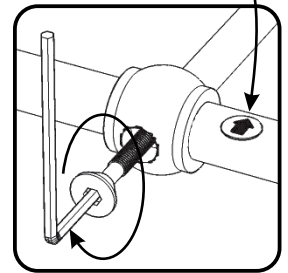
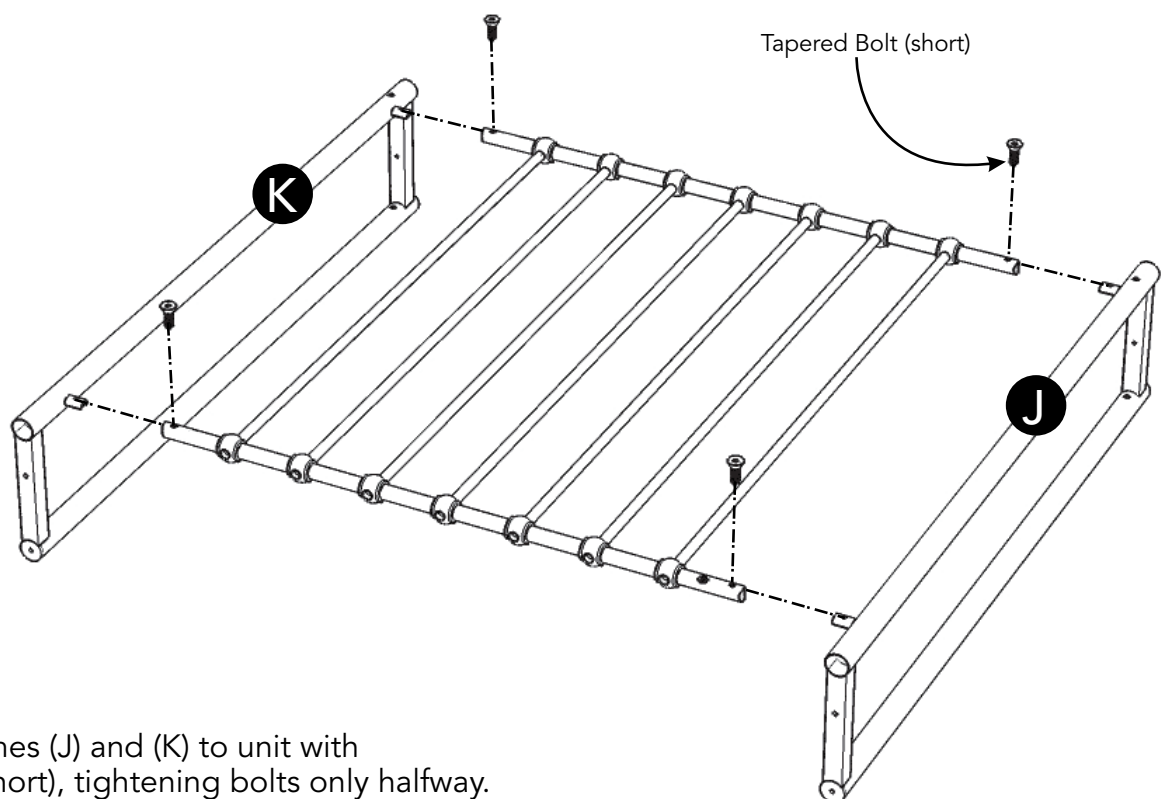


Figure 4



STEP 4

Attach Side Frames (J) and (K) to unit with Tapered Bolts (short), tightening bolts only halfway.

Assembly Instructions 4/7

STEP 5

Attach unit to unit from Step 2 with Flat Washers, Spring Washers and Head Cap Bolts (long), tightening bolts only halfway. (See Figure 5)

Tighten all bolts used in Steps 4 and 5.

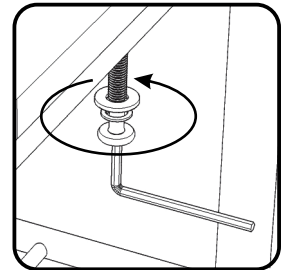
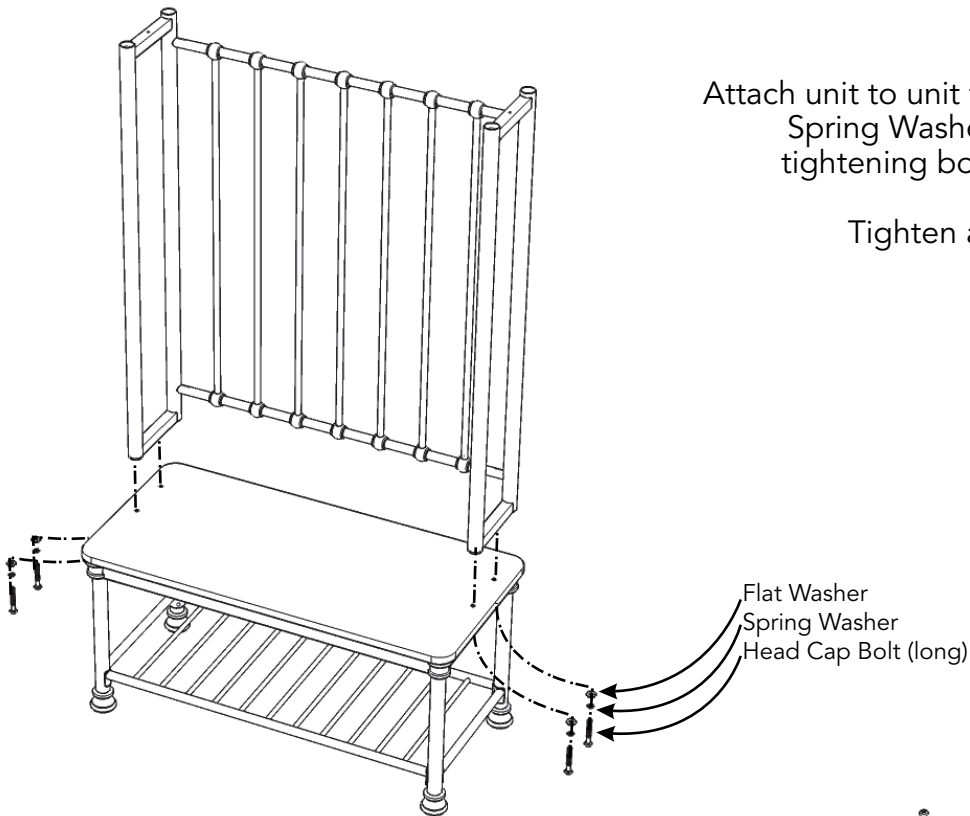
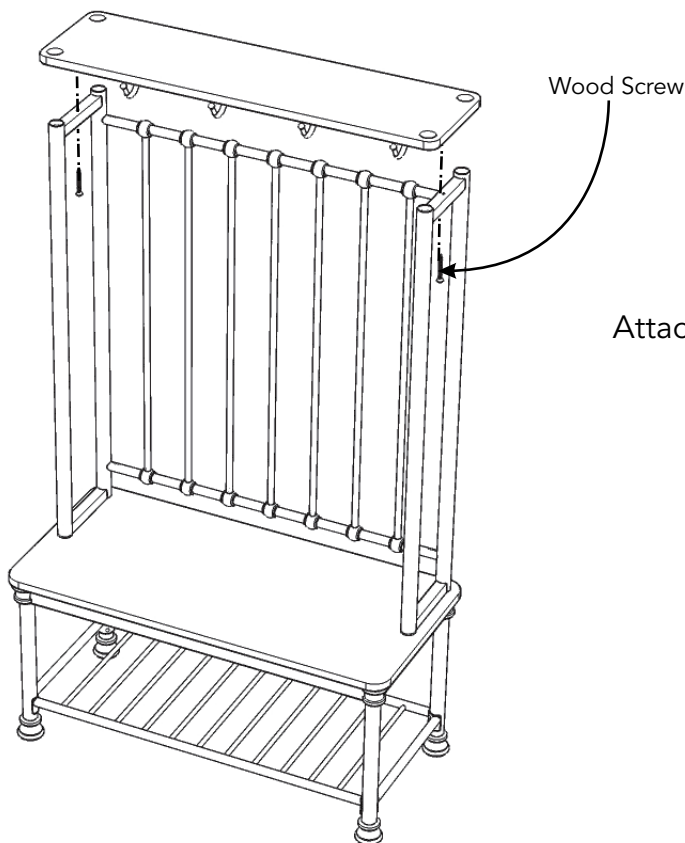
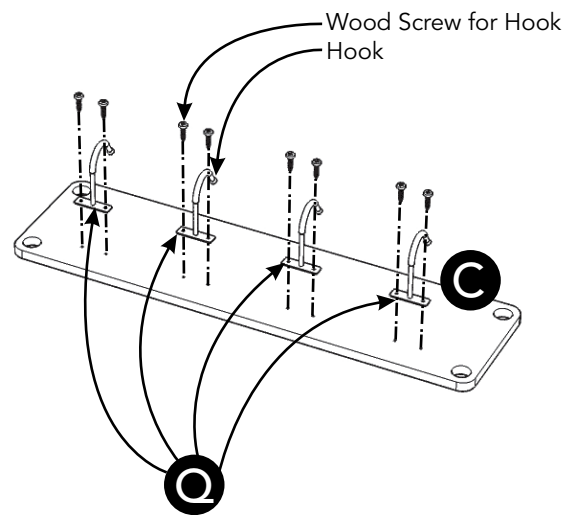


Figure 5

STEP 6

Place Shelf (C) upside down on a soft cloth.

Attach Hooks (Q) to Shelf (C) with Wood Screws for Hook.



STEP 7

Attach unit to unit from Step 5 with Wood Screws. (See Figure 6)

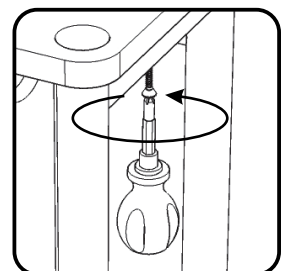


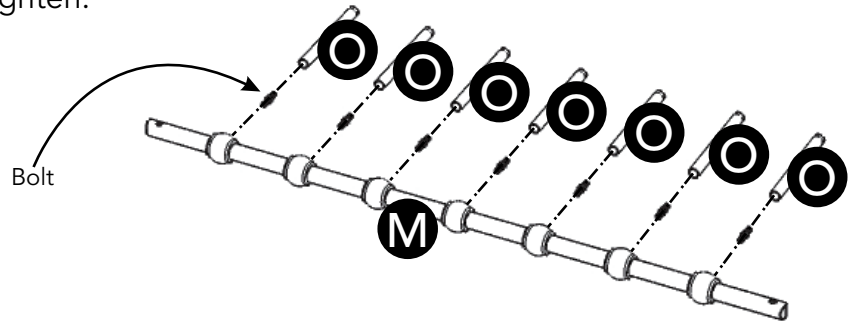
Figure 6

Assembly Instructions 5/7

STEP 8

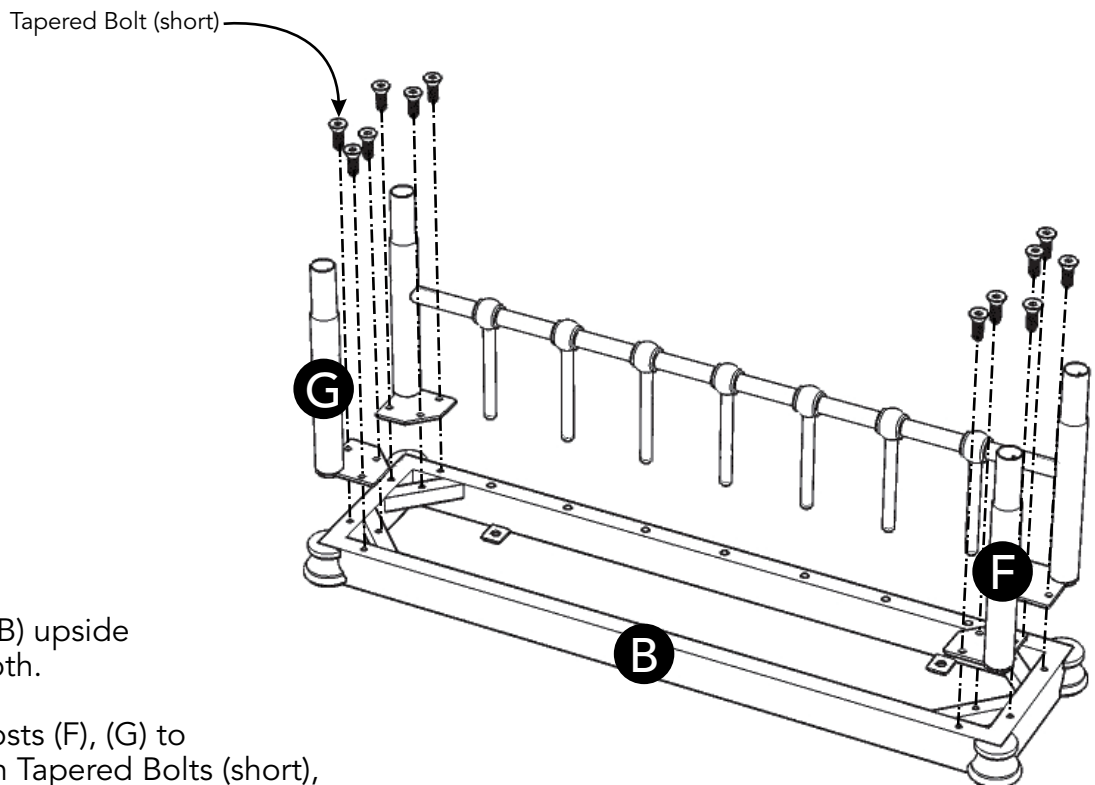
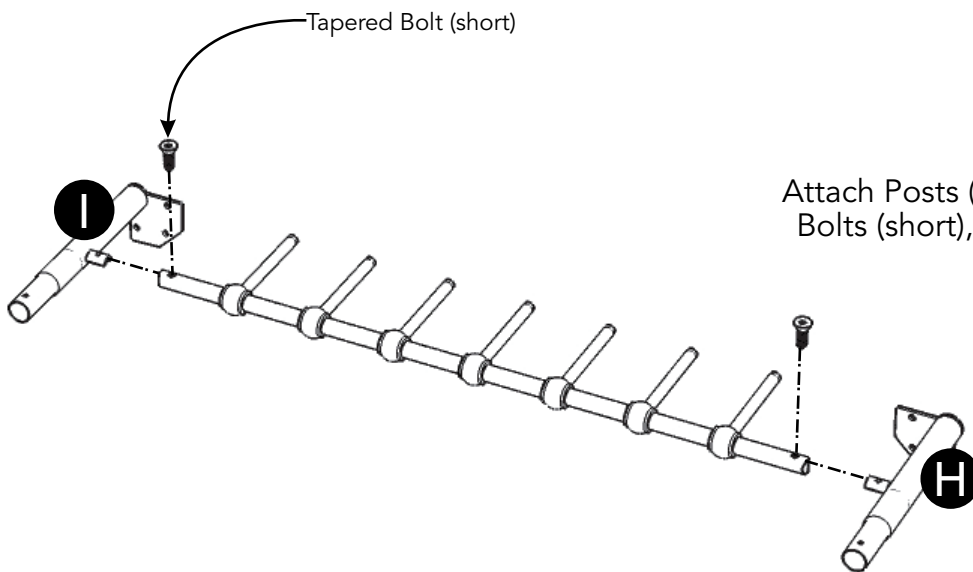
Insert Bolts into pre-drilled holes of Uprights (O), then tighten.

Attach Uprights (O) to Rail (M), then tighten.



STEP 9

Attach Posts (H) and (I) to unit with Tapered Bolts (short), tightening bolts only halfway.



STEP 10

Place Top Frame (B) upside down on a soft cloth.

Attach unit and Posts (F), (G) to Top Frame (B) with Tapered Bolts (short), tightening bolts only halfway.

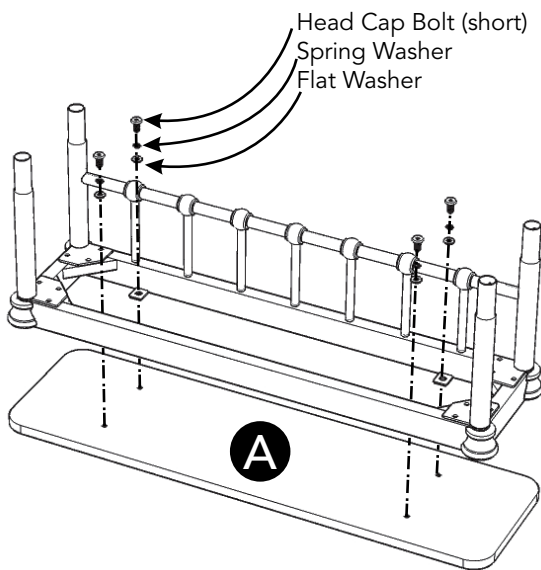
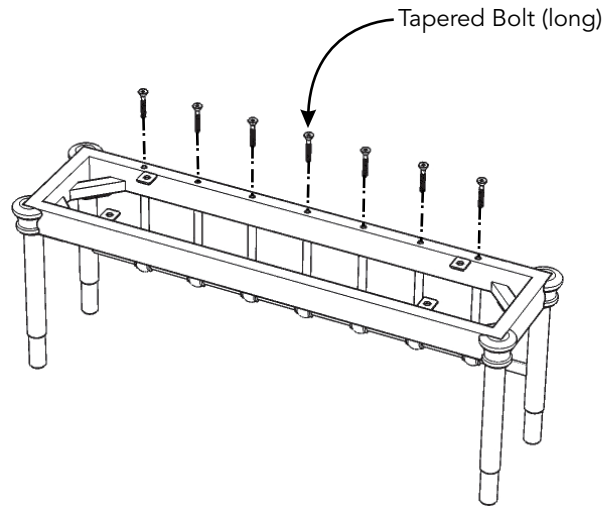
Assembly Instructions 6/7

STEP 11

Turn unit over to it's upright position.

Insert Tapered Bolts (long) into pre-drilled holes of unit, tightening bolts only halfway.

Tighten all bolts used in Steps 9, 10 and 11.



STEP 12

Place Top (A) upside down on a soft cloth.

Attach unit to Top (A) with Flat Washers, Spring Washers and Head Cap Bolts (short), tightening bolts only halfway.

Tighten all bolts.

STEP 13

Attach unit to unit from Step 7 with Tapered Bolts (short), tightening bolts only halfway.

Tighten all bolts.

Level unit by adjusting the adjustable levelers on bottom of unit. (See Figure 7)

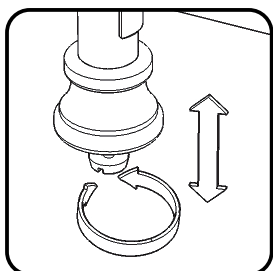
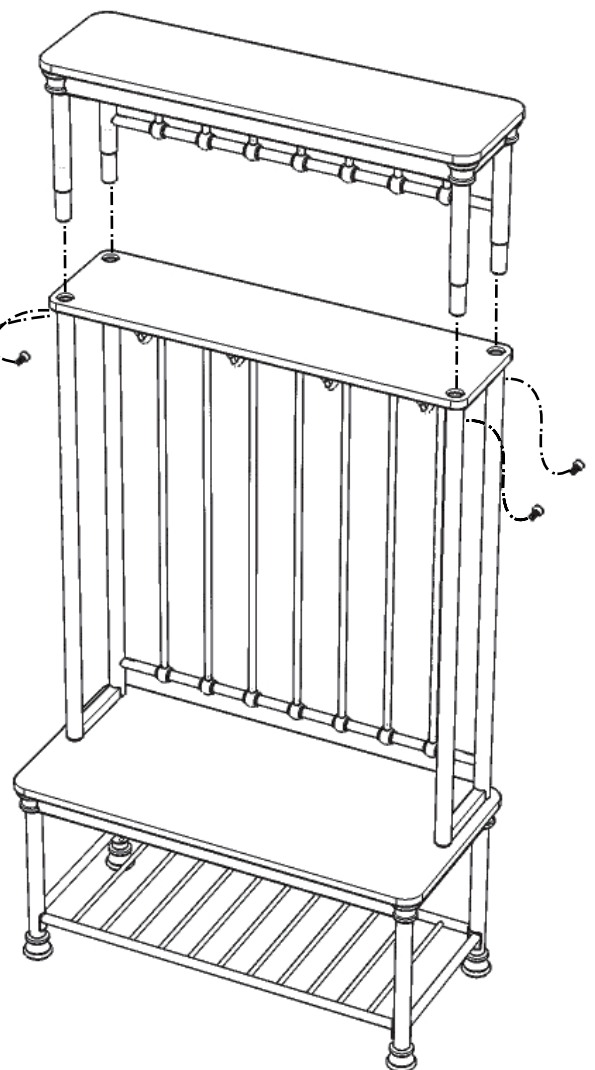


Figure 7

Tapered Bolt (short)



Assembly Instructions 7/7

IMPORTANT

- To help reduce the risk of the unit tipping over, the Tip-over Restraint must be installed following these instructions exactly.

STEP 14

Place unit at desired location.

Drill a 3/8" hole in wall in-line with pre-drilled hole at top of unit.

Move unit.

Insert Anchor into the wall hole and attach Bracket with Wall Screw.

Attach Bracket at pre-drilled hole at top of unit with Machine Screw.

Move unit back into place.

Slide Tip-over Restraint through Bracket on wall and Bracket on unit.
(See Figure 8)

Put tie end of Tip-over Restraint into lock end of Tip-over Restraint and pull until tight.

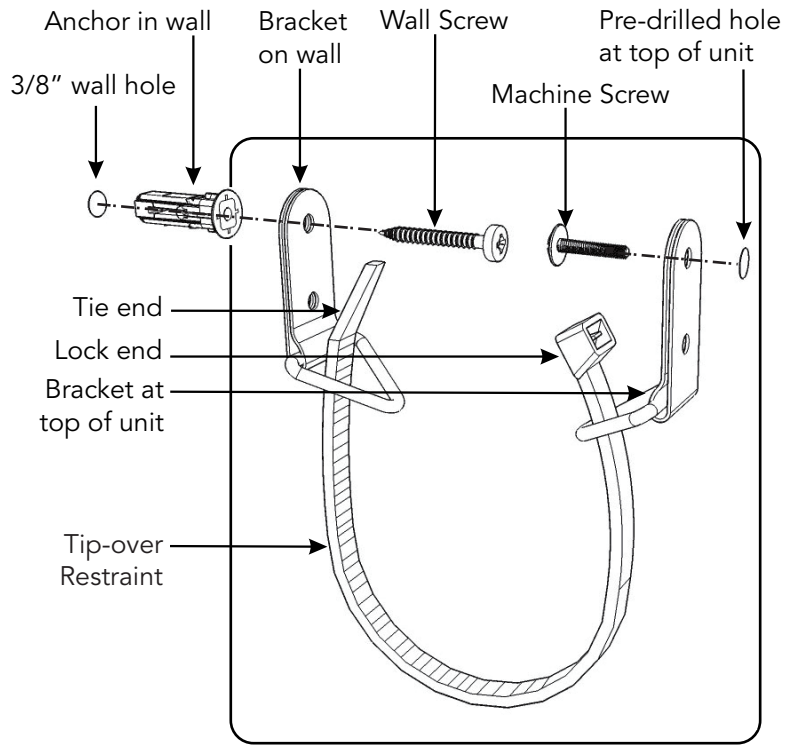
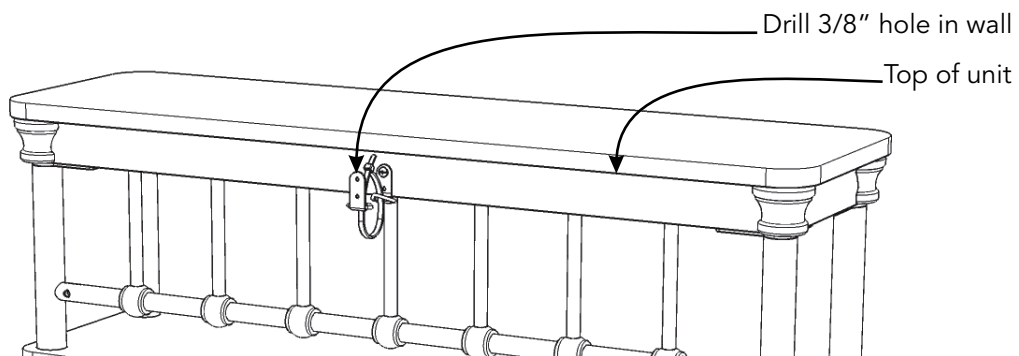
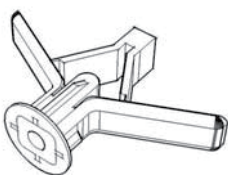


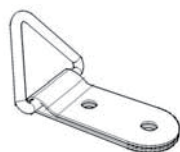
Figure 8



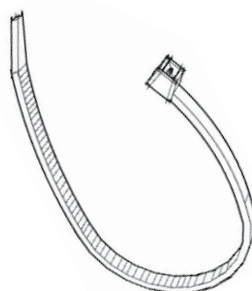
Hardware List



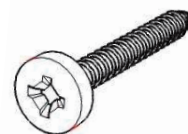
Anchor
1 pc. (+1 extra)



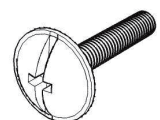
Bracket
2 pcs. (+1 extra)



Tip-over Restraint
1 pc. (+1 extra)



M3.5x40
Wall Screw
1 pc. (+1 extra)



M4x10
Machine Screw
1 pc. (+1 extra)

CARE INSTRUCTIONS

NEVER

allow liquids to remain on furniture.
Absorption causes parts to warp
and split and finishes to delaminate.

NEVER

use glass cleaners on
finished furniture. Ammonia
chemically attacks the finish.



Do not use power tools
above 8 volts to assemble.
**PREVENT
CRACKING**



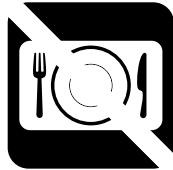
Do not place
in direct sunlight.
**PREVENT
FADING**



Do not write
directly on surface.
**PREVENT
MARKING**



Do not place hot
objects on surface.
**PREVENT
FINISH DAMAGE**



Do not use rubber
based placemats.
**PREVENT
DISCOLORING**



Do not use commercial
waxes and polishes.
**PREVENT
YELLOWING**

CLEAN

with a soft cloth moistened
in lukewarm soap and water.
Buff with a dry clean cloth.



Home Styles will provide replacements free of charge for missing or damaged hardware or parts within 30 days of purchase. Digital images of the defective parts may be required. If the product was not purchased from an authorized retail affiliate, Home Styles is under no obligation to provide replacement parts. Parts are not available for fully assembled items nor are parts available for sale. Replacements for missing or damaged hardware or parts may be requested at:

www.homestyles-furniture.com/customer-service/replacement-parts

Home Styles Customer Service: www.homestyles-furniture.com,
servicedesk@homestyles-furniture.com, 888-680-7460, 877-831-0319