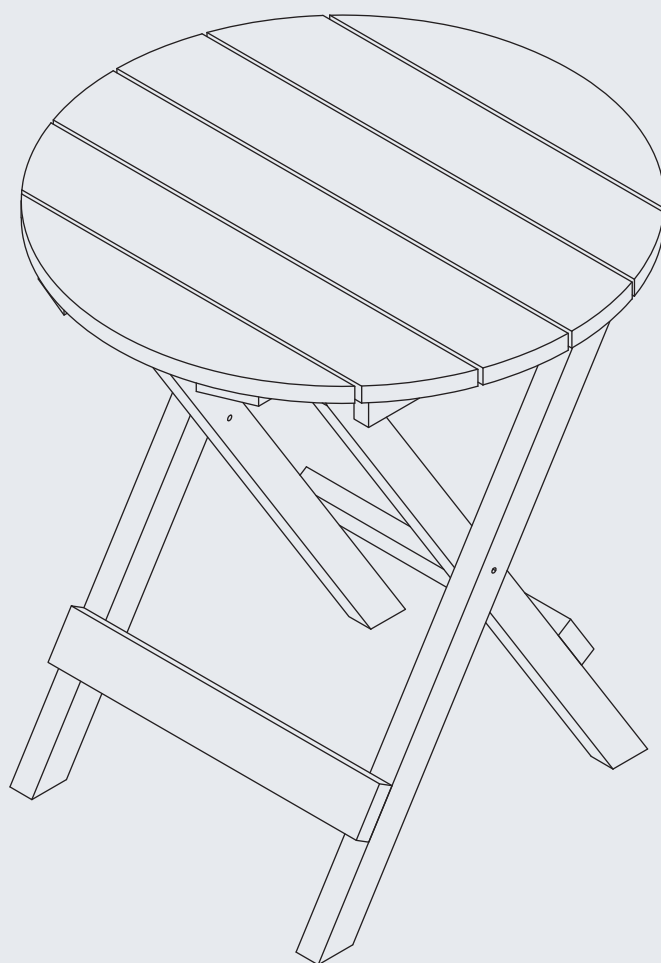


INSTRUCTION MANUAL



Patio Round Folding Dining Table

V1.0

! CARE & MAINTENANCE

Please keep this instruction for your future reference.

- Be careful when assembly, avoid hurting the top surface.
- Clean the chair with lukewarm water, mild detergent & soft cloth.
- Firmly secure all bolts before use, do not use any part of this item as a step ladder.
- Reconfirm that all bolts, screws, and nuts are secure every 90 days.
- Do not use or store this item in the proximity of open flame or flammable/combustible chemicals.
- Be aware that some parts are heavy and have sharp edges.
- Do not overtighten screws. (Insert all screws before tighten screws.)
- Please do not exceed the weight limitations of this item.

TOOLS REQUIRED



**TABLE
300 LBS
CAPACITY**

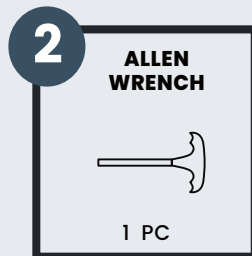
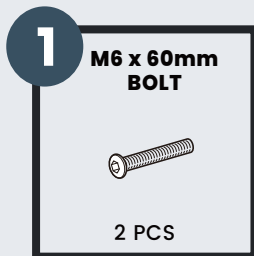


**1 PERSON
ASSEMBLY**

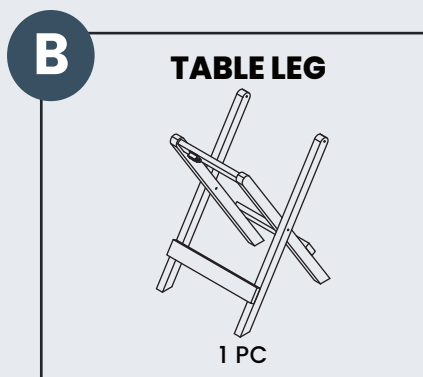
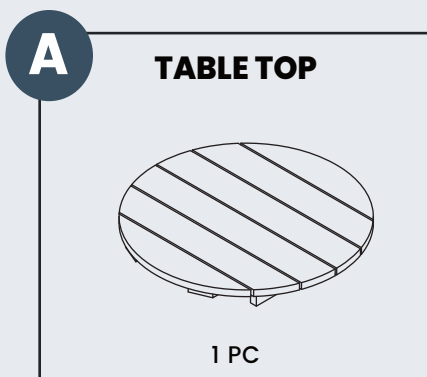


**UP TO 20 MIN.
ASSEMBLY**

HARDWARE

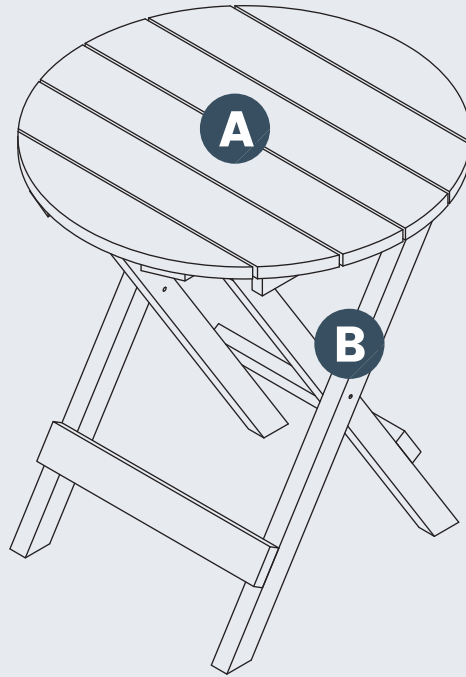


PARTS



PRODUCT ASSEMBLY - OVERALL VIEW

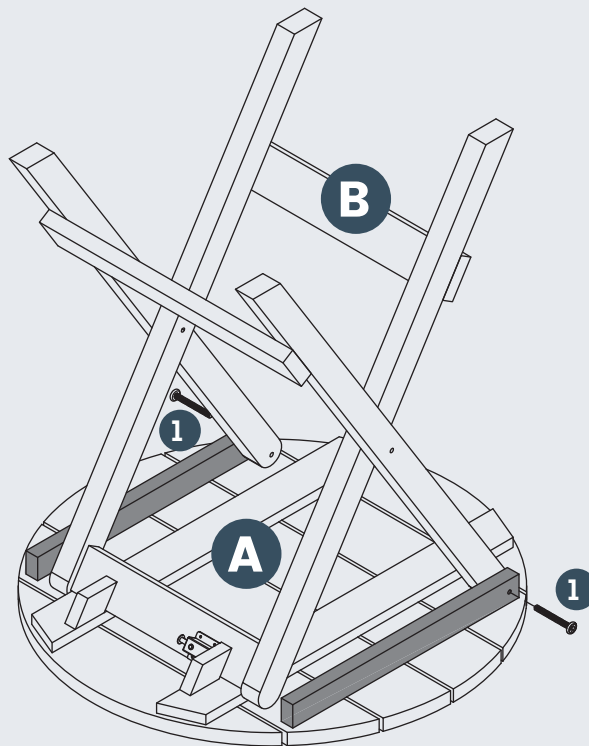
Look at following overall view of this table and learn the exact position of each parts to be assembled.



PRODUCT ASSEMBLY

1

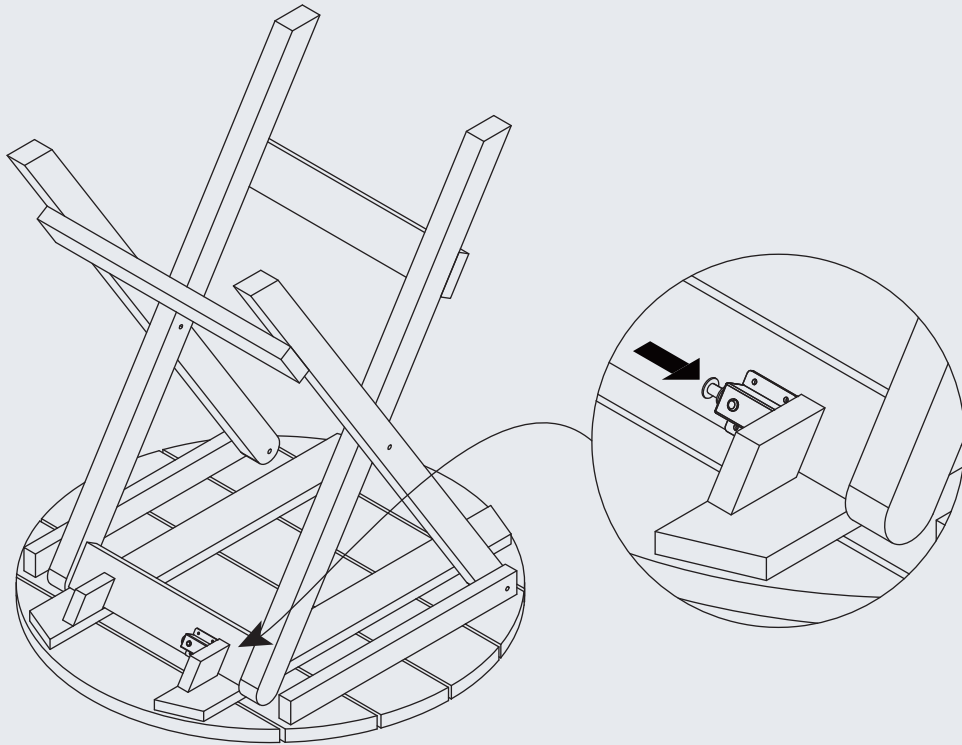
Attach **Part A Table Top** to **Part B Leg** with 2 pcs of **Hardware #1 Bolt**.



PRODUCT ASSEMBLY

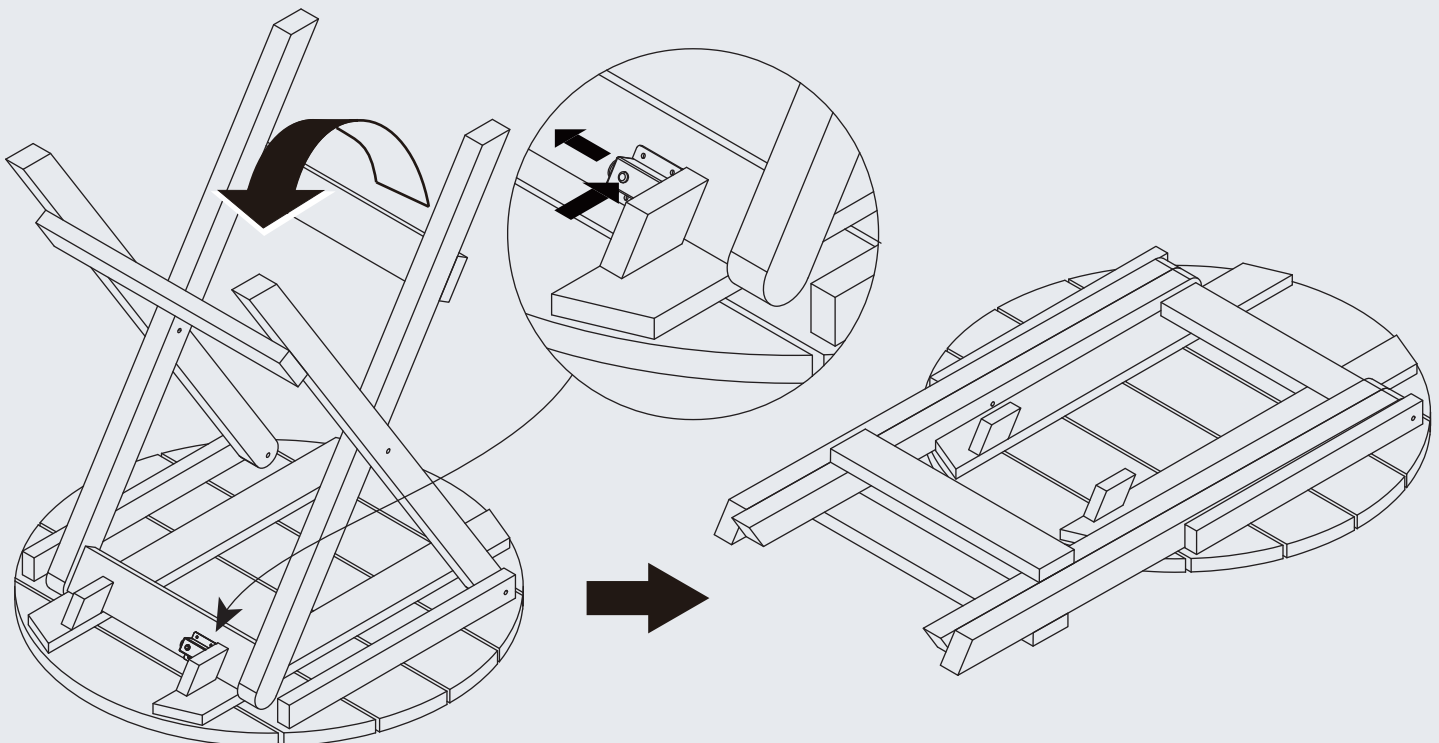
2

If you want to fix the table without moving, press the button from side.



3

If you want to fold the table, press the button on the top.



CLEANING TIPS

REGULAR CLEAN: Use a mixture of warm water and mild soap. Gently scrub the surface with a soft bristle brush to remove any dirt or stains.

QUICK CLEAN: You can simply wipe down the furniture with a damp cloth.

Regular cleaning not only preserves the aesthetic appeal of your furniture, but also helps extend its lifespan.