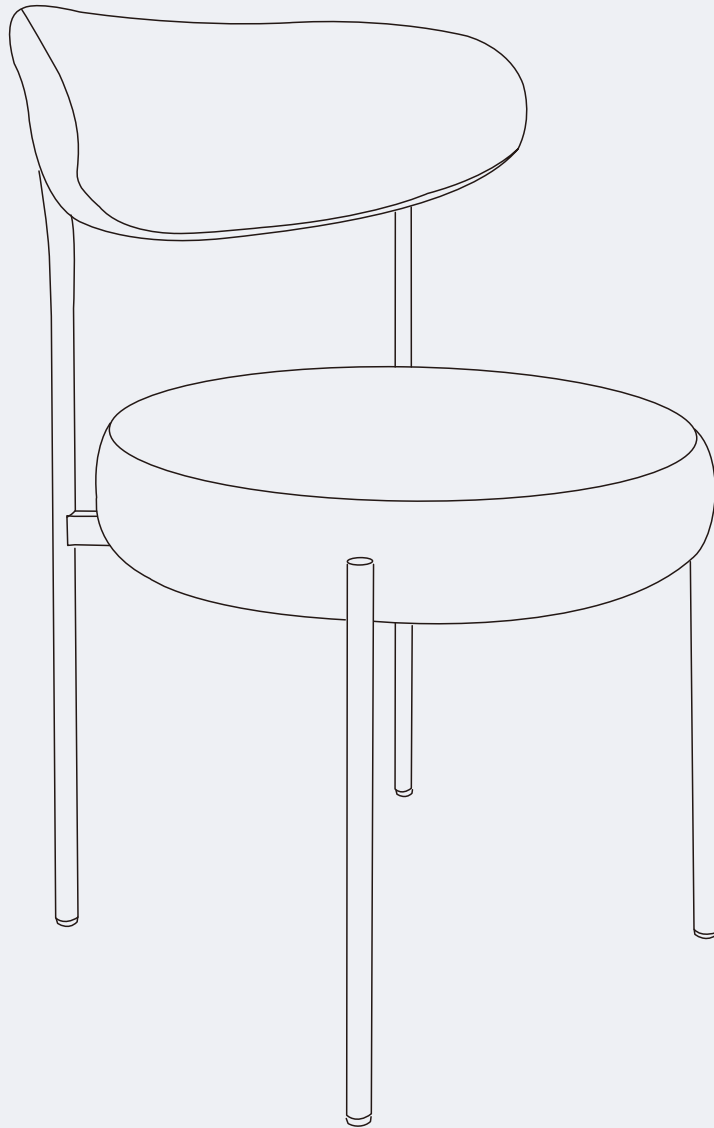


# INSTRUCTION MANUAL



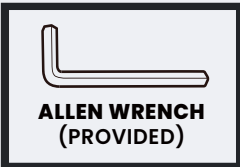
Faux Shearling Fabric Upholstered  
Side Chair With Metal Leg

V1.0

## ! CARE & MAINTENANCE

- Be careful when assembly, avoid hurting the plating of the surface.
- Clean the chair with lukewarm water, mild detergent & soft cloth.
- Firmly secure all bolts before use, do not use any part of this item as a step ladder.
- Reconfirm that all bolts, screws, and nuts are secure every 90 days.
- Do not use or store this item in the proximity of open flame or flammable/combustible chemicals.
- Be aware that some parts are heavy and have sharp edges.
- Do not overtighten screws. (Insert all screws before tighten screws.)

## TOOLS REQUIRED



**250 LBS  
CAPACITY**

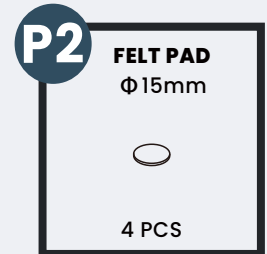
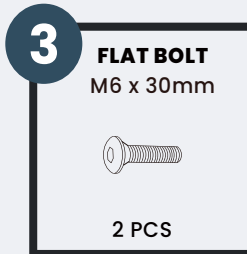
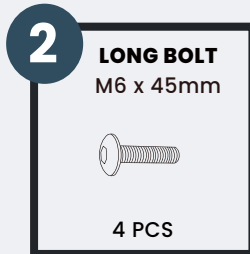
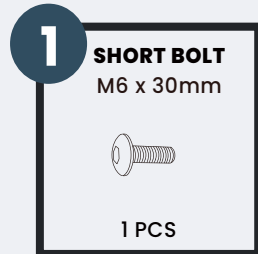


**1 PERSON  
ASSEMBLY**

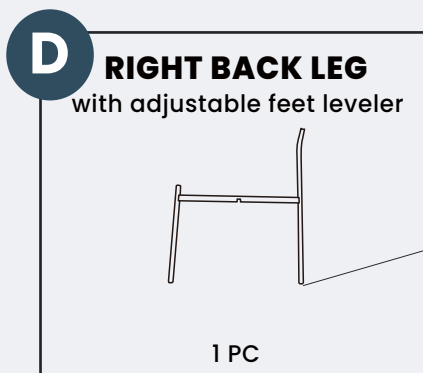
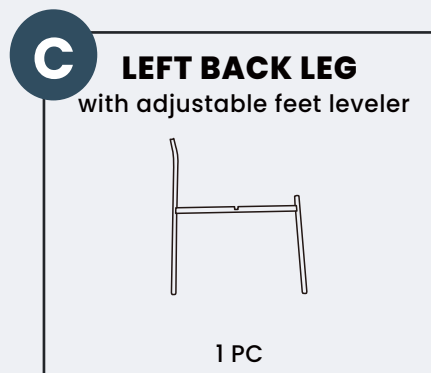
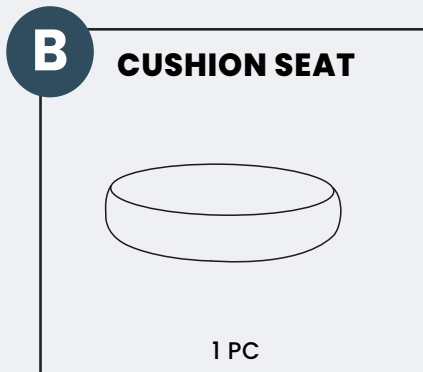
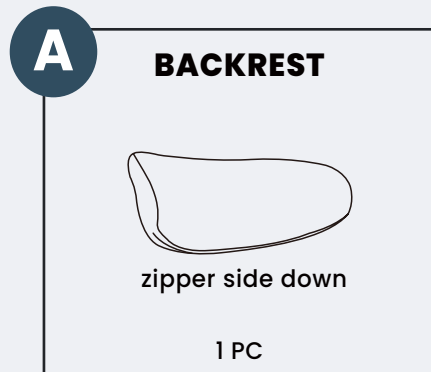


**UP TO 15 MIN.  
ASSEMBLY**

## HARDWARE



## PARTS

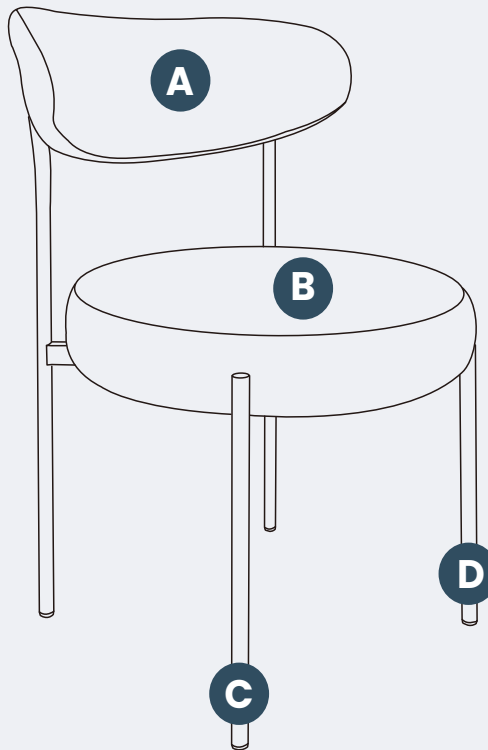


adjustable feet leveler



## PRODUCT ASSEMBLY – OVERALL VIEW

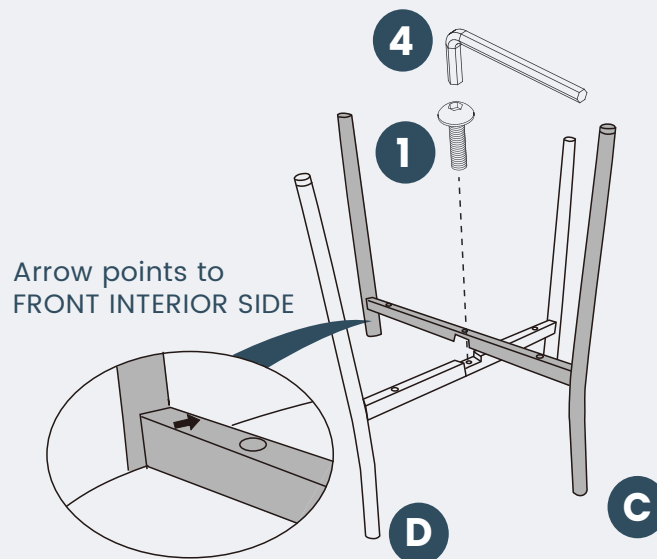
Look at following overall view of this chair and learn the exact position of each parts to be assembled.



## PRODUCT ASSEMBLY

- 1 Put 1 piece of **Part C Left Back Leg** & 1 piece of **Part D Right Back Leg** exactly as show below. Attach them with 1 piece of hardware **#1 Short Bolt** through the middle screw hole (80% tighten).

PAY ATTENTION: Each leg is with an arrow on front side. Make sure two arrows point to FRONT INTERIOR after assembly.



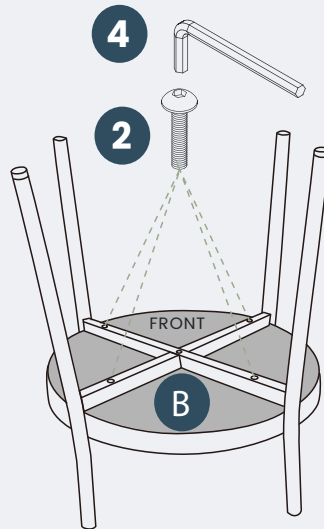
## PRODUCT ASSEMBLY

2

Put **Part B Cushion Seat** up side down on a clean table. Attach **Part C & D** on bottom of **Part B** with 4 pieces of hardware **#2 Long Bolt**.

PAY ATTENTION: **Part B Cushion Seat** has a FRONT side sticker. Make sure the direction is correct before screwing.

80% tighten all the five bolts on bottom of the cushion seat.



3

Attach **Part A Backrest** onto top hole of **Part C & D Back Legs** with 2 pieces of **#3 Flat Bolt**. 80% tighten.

Place the chair in normal position, press downward and adjust the legs to be straight. Then, tighten all 7 screws to 100%. Adjust the feet leveler on four legs for best balance.

Stick 4 pieces of **P2 FELT PAD** onto the bottom of feet for better protection of the floor.

