

**EVERY
THING
YOU NEED
TO KNOW
ABOUT YOUR**

XO

XOU24RDS

XOU24RDO – XOU24ORDS

PANEL READY REFRIGERATED DRAWERS

I worked really hard
on this manual -
so please read it...

XO



When buying any XO appliance, you can be confident you have chosen a high quality, innovative and stylish product from a company that cares about you!

If you require service or have questions, there are 2 ways to contact our appliance experts;

Online @ <https://xoappliance.com/priority-service-for-your-xo-product/>

Or by phone 973-403-8900



CONGRATULATIONS

on purchasing your XO.
Before you proceed, take just a moment to register your XO at:

www.xoappliance.com/register-your-product/

Or simply scan here to be taken to the registration page...



REGISTRATION HELPS YOU BY -

Ensuring warranty coverage should you need service
Providing ownership verification for insurance purposes
XO can notify you in the event of product changes or recalls.

WHERE THINGS ARE

Before You Get Started Installer Checklist Find Your Model Safety Instructions Electrical and Grounding Instructions	4 - 7
Installation Instructions Sizes and Installation Dimensions Integrated Panel Dimensions Leveling Your XO	8 - 15
Operating Instructions Product Overview Control System Overview Setting the Temperature Functions Capacity	16 - 20
Care and Cleaning Helpful Hints Cleaning the Interior / Exterior Changing the Carbon Air Purification Filter	21 - 22
FAQ's Before You Call For Service Warranty	23 - 24

PLEASE READ AND FOLLOW
ALL SAFETY INSTRUCTIONS

It's for your
own good...
Honest.



DEAR INSTALLER

THE JOB ISN'T DONE UNTIL

To ensure that the installation process is successfully completed, here are few things to review...

- Is the unit plugged in?
- Are the controls on? (Panel will illuminate.)
- Are the controls operating correctly?
- Has the unit been properly leveled - both side to side and front to back - with all 4 leveling feet securely making contact with the floor?
- This is an OVERLAY unit - have the panels been securely attached and properly aligned?
- After installation do the drawers open completely?
- Are the drawers sealing properly?
- Are the handles secure?
- Have you thoroughly inspected all surfaces for any imperfections?
- Have you reviewed this manual with the customer and explained the unit's operation and care?
- Has the customer received copies of the literature and keys?
- Have you properly disposed of all packing materials properly (recycle, please)?
- Is the customer satisfied?

DANGER

RISK OF CHILD ENTRAPMENT!

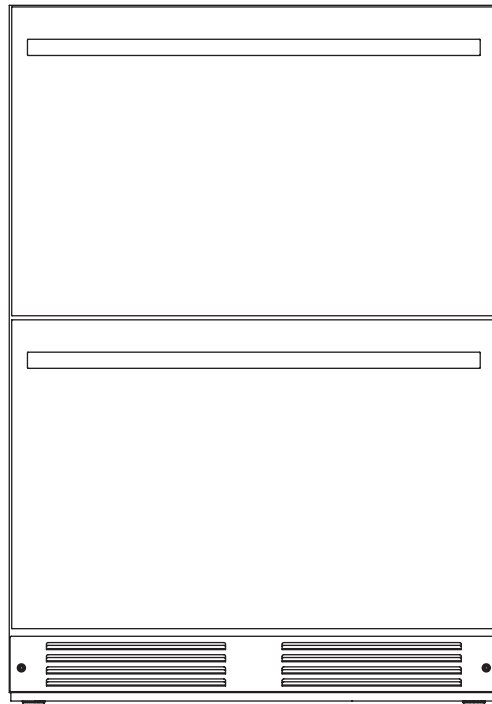
An empty refrigerator is a very dangerous attraction to children.

Remove door gaskets, latches, lids, lock and/or doors from unused or discarded appliances, or take other actions to guarantee them harmless.

Always dispose of old appliances in accordance with local laws and regulations.

THESE ARE THE MODELS COVERED IN THIS BOOK

REFRIGERATED DRAWERS



XOU24RDS
XOU24RDO
XOU24ORDS

TAKE A MINUTE TO CIRCLE YOUR MODEL ABOVE
AND RECORD YOUR SERIAL NUMBER
HERE IN CASE YOU NEED IT LATER



YOUR SAFETY MATTERS

Please read through completely before using your XO Unit

The appliance must be positioned so that the plug is accessible.

Empty your XO unit before attempting to move the appliance. Moving while loaded may damage or distort the frame.

The compressor will get HOT during operation / touching it may cause injury.

During installation follow all safety tips provided in this manual / appropriate safety equipment such as safety glasses and work gloves should be worn.

Two people should move or lift your XO unit to prevent injury or damage.

Remove all interior and exterior packing materials prior to installation and dispose of properly.

Never cover the interior with foil or other material which will impede internal air circulation.

For maximum efficiency, keep the door tightly shut unless loading or unloading and never overload your XO unit.

Before installing, allow your XO unit to sit upright for 2 hours at the install site. This will allow the cooling system to stabilize after transportation. Failure to follow this step may cause problems.

Location

Your XO unit should be located away from direct sunlight and heat sources (stove, heaters, etc.) which may increase electrical consumption. High or low ambient temperature may cause units to work improperly.

The floor must be strong enough to support your XO unit fully loaded.

Your XO unit must not be installed in areas of where water or excessive moisture are present.

Your XO unit must not be installed near where flammable, corrosive or hazardous materials are present.

Your XO unit's final installation must observe the correct minimum air clearances around and behind the unit to ensure adequate ventilation. In addition, all ventilation openings must be kept clear and free of obstructions, failure to do so will result in damage to the unit.

WARNING

NEVER use external heat sources to accelerate defrosting

NEVER permit unauthorized service or modifications to your XO unit

NEVER tamper with the sealed refrigerant system - this unit uses R600A Refrigerant which is flammable.

It should never be used in the vicinity of any flammable or explosive ignition sources.

ALWAYS FOLLOW THE ELECTRICAL SAFETY INSTRUCTIONS OUTLINED IN THIS MANUAL.

ELECTRICITY - THIS IS SERIOUS

Failure To Follow All Electrical Safety Measures May Result in Serious Injury, Fire Or Death

All electrical work should only be performed by an experienced, licensed electrician.

All XO units **MUST** be grounded for safe operation and come equipped with a 3 Prong molded cord/plug for that purpose.

NEVER remove or disable the 3rd prong with an adapter.



NEVER use an extension cord to operate your XO unit.



Your XO unit is built to operate on 115V 60Hz and should be plugged directly into a dedicated 15 amp 3 prong outlet. If you are uncertain as to the voltage, amperage capacity or if the 3rd prong is properly grounded - consult a licensed electrician.

To maximize the depth of the installation recess - your outlet should be mounted flush with the wall.

Your XO unit should not share the circuit with any other electrical devices as this may cause overloading, overheating, blown fuses or tripping circuit breakers. In a worst case this can pose a fire hazard.

NEVER handle your XO unit in wet conditions as this can pose a severe danger of electric shock.

Exercise care when moving your XO unit to avoid damage to the electrical cord. If the electrical cord of your XO unit becomes worn or damaged it must be replaced immediately by a qualified technician.

NEVER unplug your unit by pulling on the cord. Unplug by gripping the plug firmly and pull out straight from the outlet.

INDOOR USE ONLY:

XO Refrigerators, wine cellars and beverage centers described in this manual are rated for indoor use only.

Your XO Unit was designed to operate in a room temperature ambient condition between 60°F and 90°F.

Use in any area which is not temperature controlled within that range, such as a garage or porch may cause your XO unit to fail to function properly. Use in any uncontrolled area or otherwise exposed to the elements is hazardous and voids the warranty.

For outdoor installations - consult XO or your local XO dealer regarding an outdoor rated model.

In regions where high humidity exists condensation may appear on the glass and/or gasket seals. For best operation, keeping the unit fully stocked with product will reduce this.

SERVICE	115V - 60 Hz - 1 phase
AMPS	15 Amp Circuit Breaker
Requires a Dedicated Outlet	
GFI required for Outdoor Installations	
All electrical work must be performed by a licensed electrician	

State of California Proposition 65 Warning (US only)
⚠ WARNING

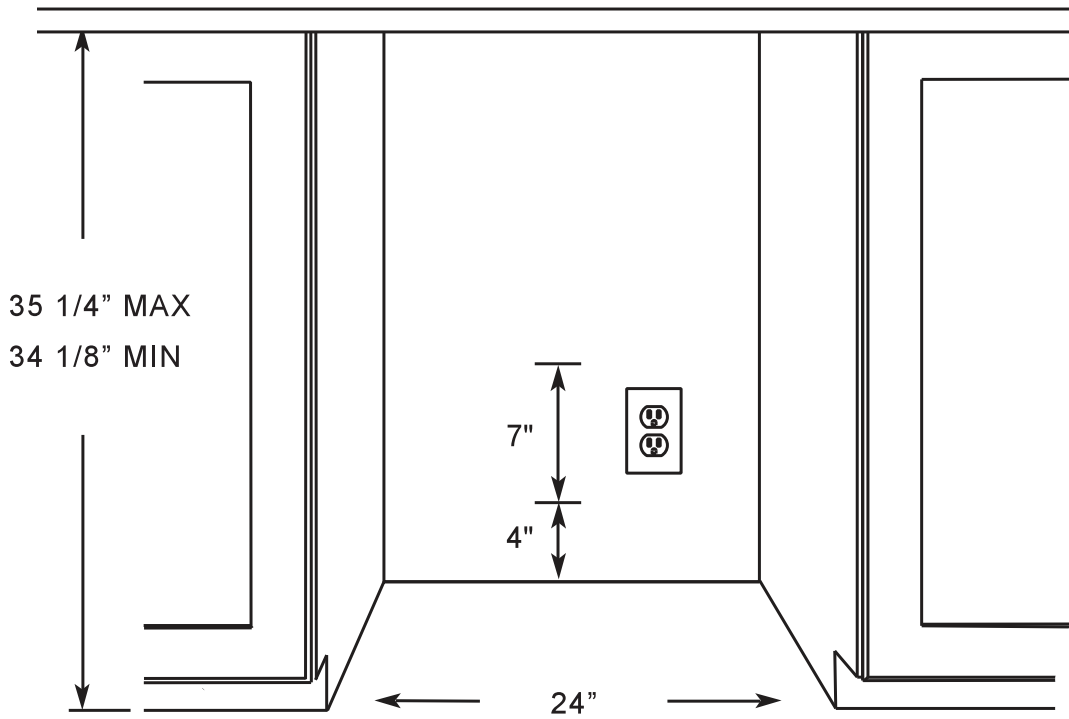
This product contains chemicals known to the State of California to cause cancer and birth defects or other reproductive harm.
For more information go to www.P65Warnings.ca.gov

Serious injury, fire or death...
Okay -
You've got my attention!

XO

A PERFECT FIT

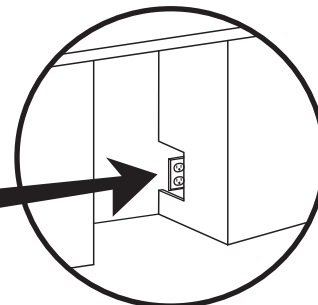
USE FREE STANDING - OR - INSTALL UNDER COUNTER



ALL XO UNDERCOUNTER UNITS ARRIVE PRE-WIRED WITH LOW PROFILE PLUGS FOR EASY INSTALLATION

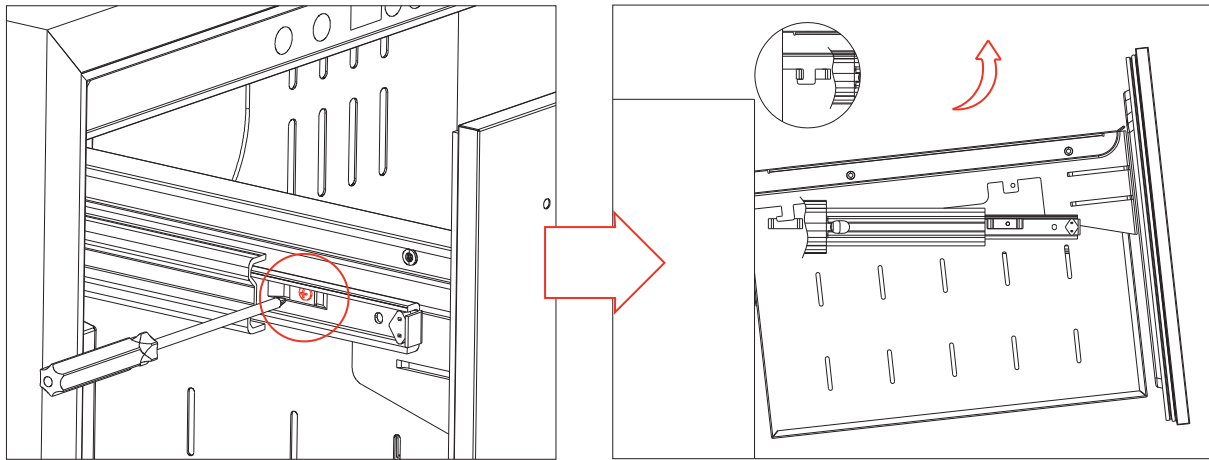


If you need a little more space when installing an overlay door unit, you might use a recessed outlet or cut the adjoining cabinet wall to reach an outlet there...



DEALING WITH DRAWERS

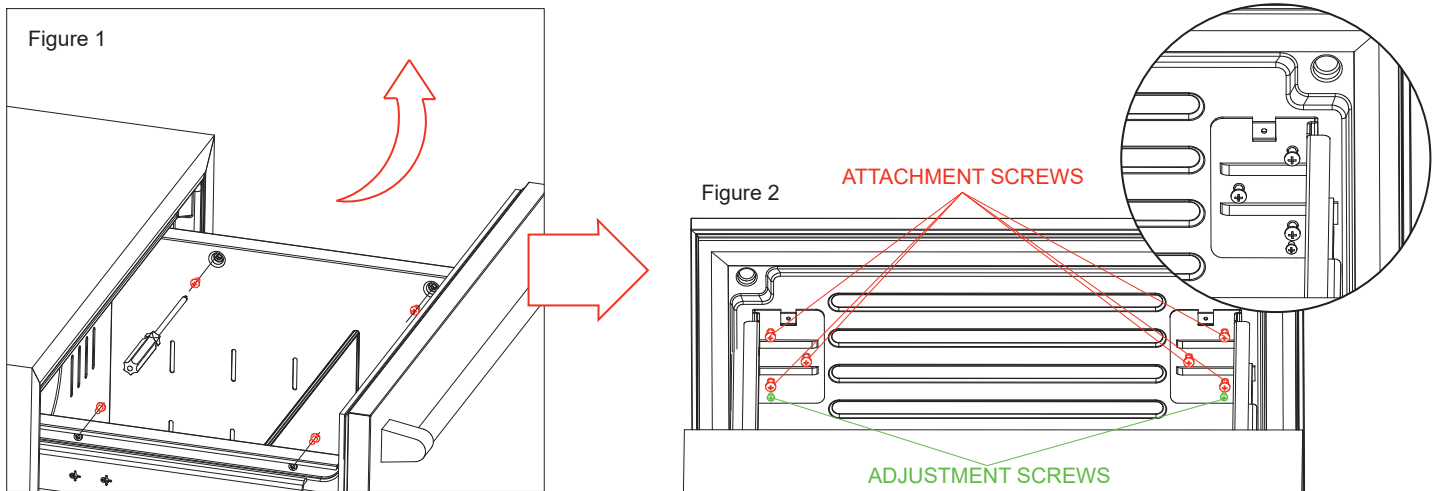
REMOVING AND REPLACING DRAWERS



1. Remove the screw holding each slide rail and drawer bracket with a screwdriver
 2. Lift the drawer front up and out of the slide rail buckle
 3. Lift the drawer up and out to remove
- To replace the drawer, reverse steps 1-3

ADJUSTING THE UPPER AND LOWER DRAWER FACES

If the two drawer faces are not even, follow these steps:

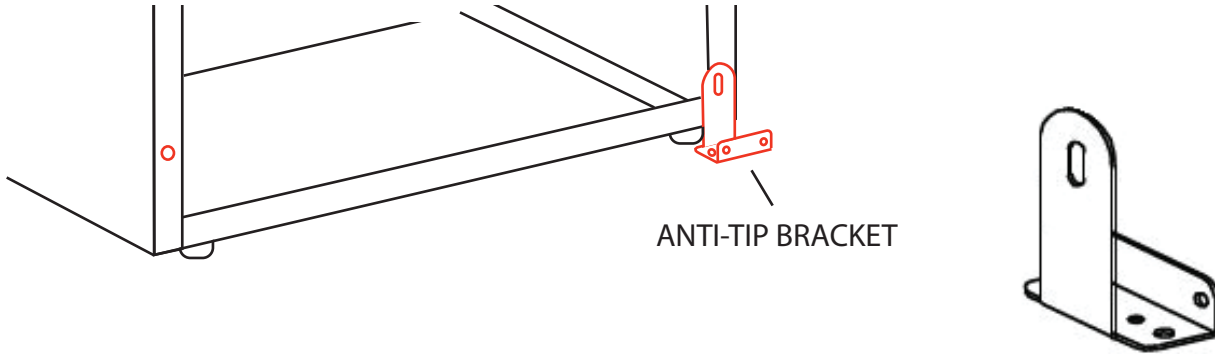


1. Remove the drawer from the side rails by removing the four screws shown in Fig 1
2. Lift the drawer up and out of the unit
3. The drawer face is attached by 6 screws shown in Fig 2 - loosen these screws
4. Use the smaller adjustment screw below to move the face in or out as required
5. Re-tighten the 6 screws loosened in Step 3.
6. Replace the drawer and re-attach using the 4 screws removed in Step 1

ANTI-TIP BRACKET

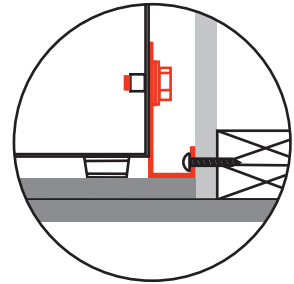
FOR USE IN FREESTANDING APPLICATIONS

When drawers, racks and shelves are extended while loaded, there is a danger of tipping the unit. In these cases an Anti-Tip Bracket must be installed on the rear right or left side.

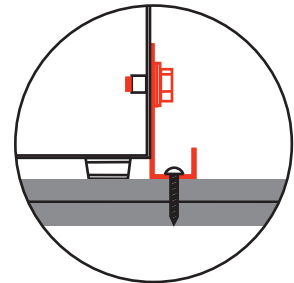


The Anti-Tip Bracket kit comes with a bolt and washers to mount to the rear of the refrigerator and three different sets of fasteners to mount it to any of the following: Dry Wall Construction, Wooden Flooring or Concrete Flooring.

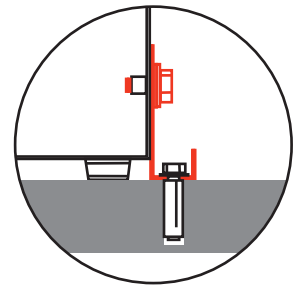
DRYWALL CONSTRUCTION: (2 Screws) The bracket is screwed to the wall and at least one of the screws must be into a stud within the wall.



WOODEN FLOORING: (2 Screws) The bracket must be screwed down into the flooring.



CONCRETE FLOORING: (Expansion Bolt) A 3/8" hole is bored into the flooring 1 3/4" to 2" deep. The expansion sleeve is set with a mallet into the hole and the bracket is bolted to the floor.



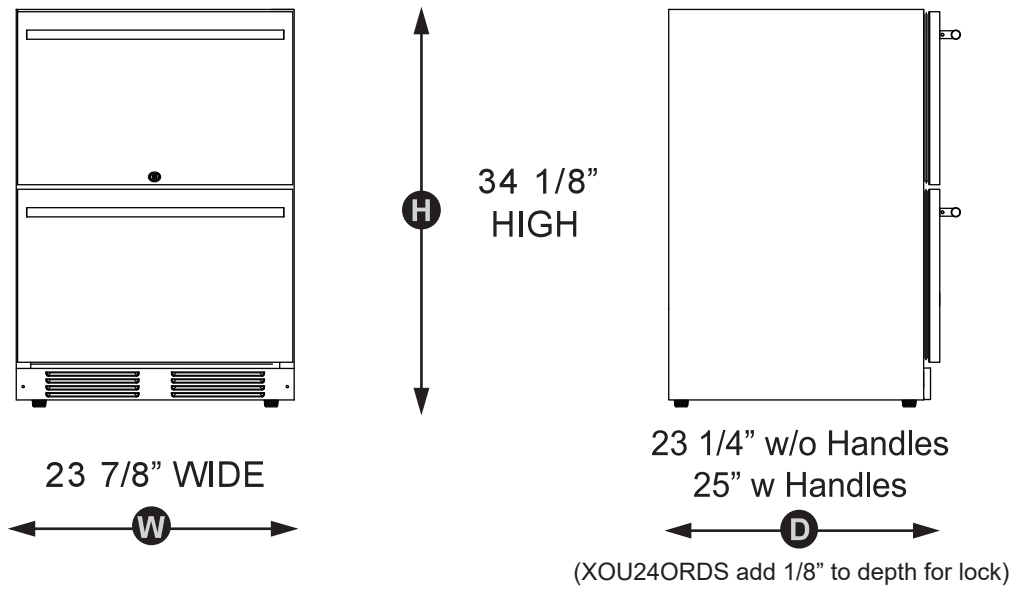
Make certain that the unit will not tip when finished.
FAILURE TO SECURE THE UNIT PROPERLY CAN CREATE A DANGEROUS CONDITION.

MEET YOUR XO

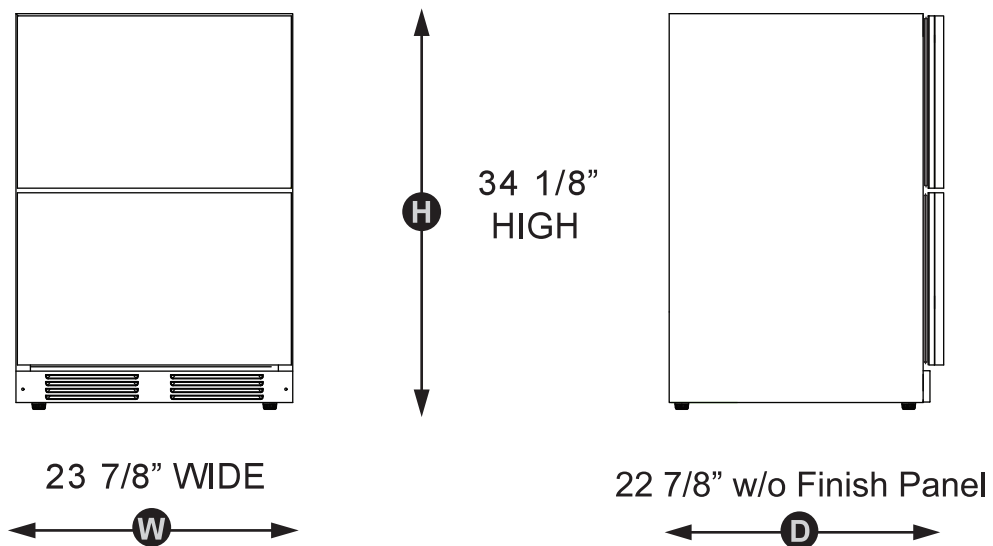
YOUR XO IS THIS BIG (OR SMALL, AS THE CASE WOULD BE)

HEIGHT | WIDTH | DEPTH

XOU24RDS & XOU24ORDS - STAINLESS STEEL



XOU24RDO - INTEGRATED / OVERLAY PANEL

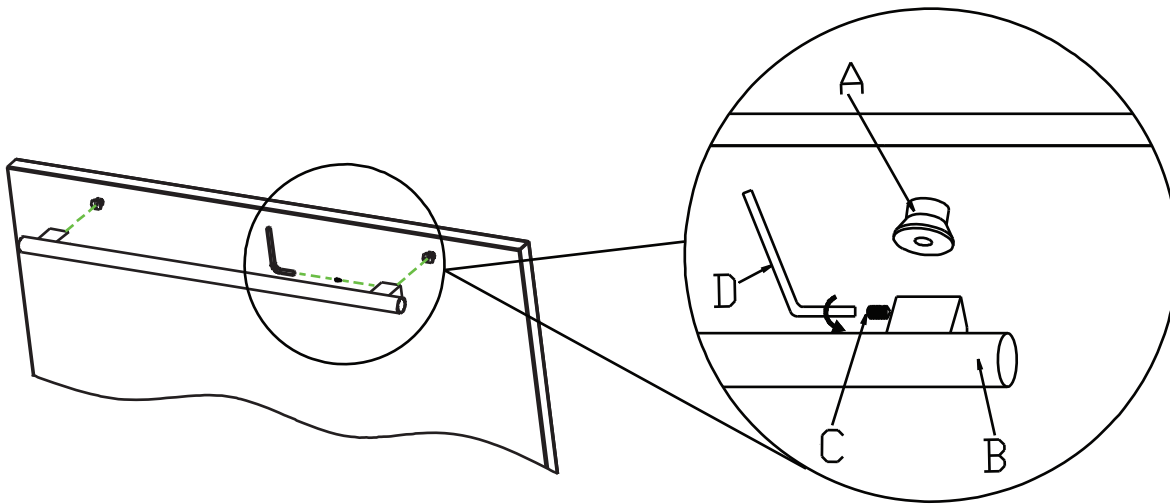


CUSTOM OVERLAY PANELS MAY ADD UP TO 3/4" IN OVERALL DEPTH
YOUR CHOICE OF CABINET HANDLES WILL ALSO ADD DEPTH

GET A GRIP

IN FACT - PICK THE STYLE YOU LIKE

Place the handle (B) over the 2 mounting studs (A) on the door frame with the set screws (C) pointing down.

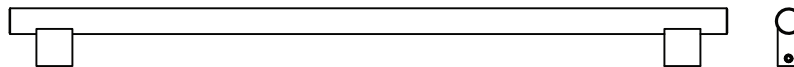
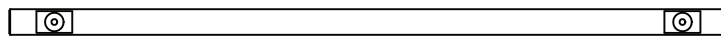


Push the handle tightly against the door and tighten both of the 2 set screws (C) with the hex key (D).

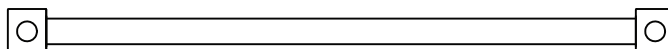
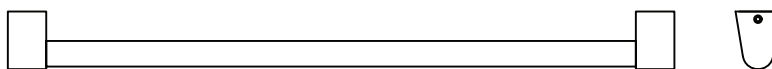
Keep the hex key in a safe place for future use.
Two extra set screws are included in the hardware bag.

Handle Option

Your XO comes with two handle options:



Choose the Stainless Designer Handle or the Stainless Pro Style.



NOTE: Panel ready units ship without finish panels or handles.

LET'S FACE IT

OVERLAY PANEL DIMENSIONS



Two panels are required

Maximum Panel Weight: 10 lbs each

Maximum Panel Thickness: $\frac{3}{4}$ "

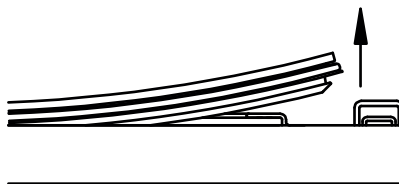


LET'S FACE IT

1. Remove the four screws on both sides of the drawer and to remove it (see page 9) Then remove the (6) M5 attachment screws to detach the drawer face.

2. Remove the rubber door gasket by pulling it gently out of the slot that holds it in place taking care not to damage it. You will have to replace it later. This will expose the (6) screw attachment holes for the overlay panel.

REMOVING THE DRAWER GASKET



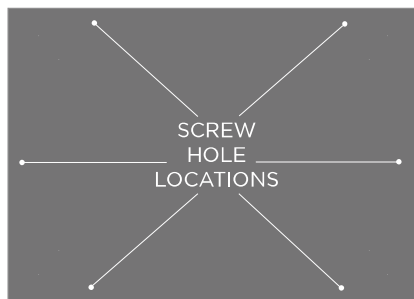
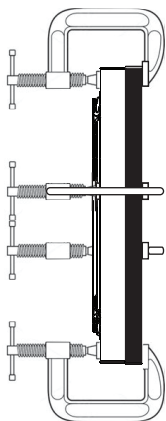
3. Before the panel has been mounted to the door; attach your handle hardware, at the location of your choosing. Drill counter sunk screw holes to recess the handle attachment screw heads.

4. Secure the overlay panel in place with clamps - use a soft non-slip pad between the jaws of the clamp, drawer face and panel to prevent damage during clamping - DO NOT OVER TIGHTEN.

5. Strong tape may also be used to help prevent movement of the panel during installation but be careful to ensure it will not damage the finish when removed - test a small inconspicuous area first.

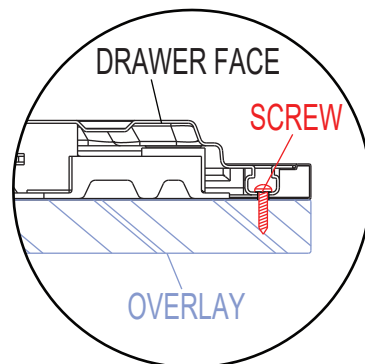
6. In the drawer face there are 6 screw attachment holes. Using the drawer face as a template, using the ST4-30 self-tapping screws provided and a phillips head screwdriver, install one screw into each of the six holes and hand tighten flush with the frame.

DO NOT OVER TIGHTEN AS SCREWS MAY STRIP OUT.



If readjustment is necessary - loosen all 6 screws, reposition the panel and re-tighten the screws.

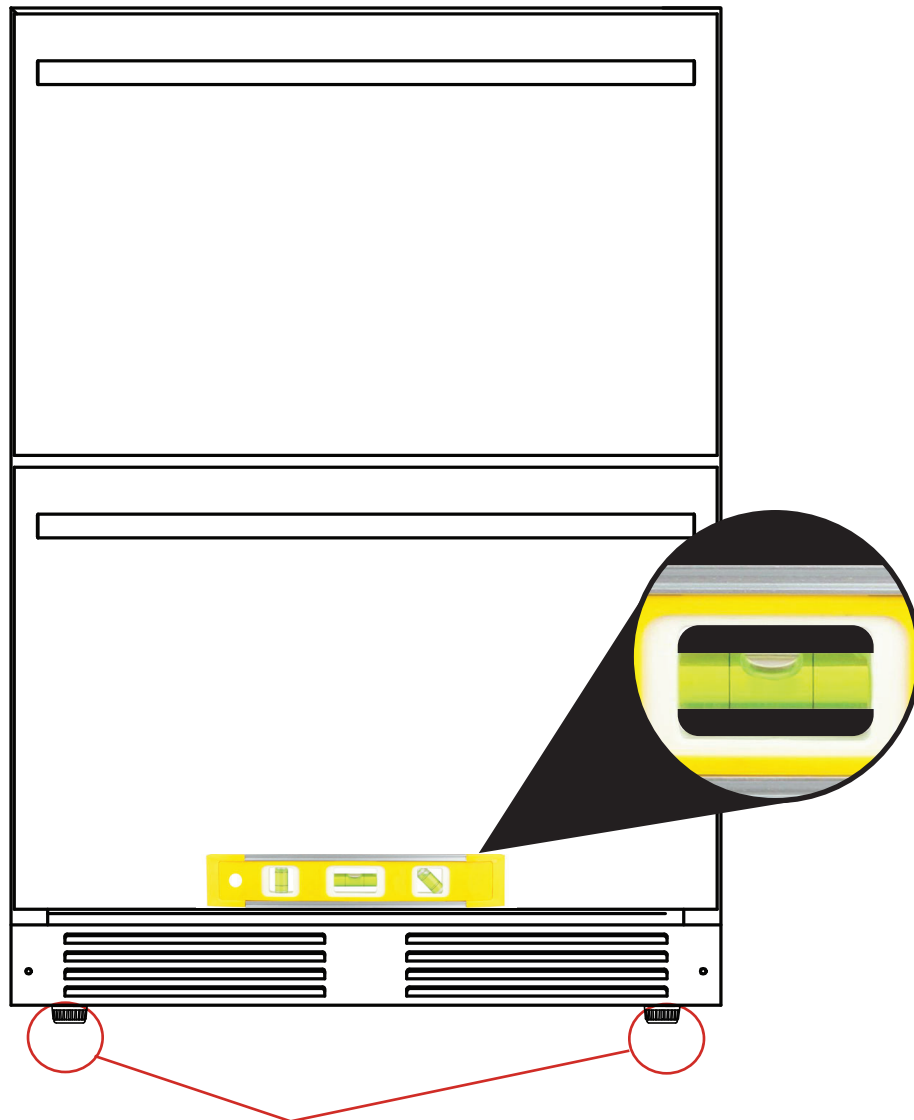
Do Not Over-Tighten



IT'S LIKE ZEN - BUT COOLER

GET YOUR LEVEL OUT

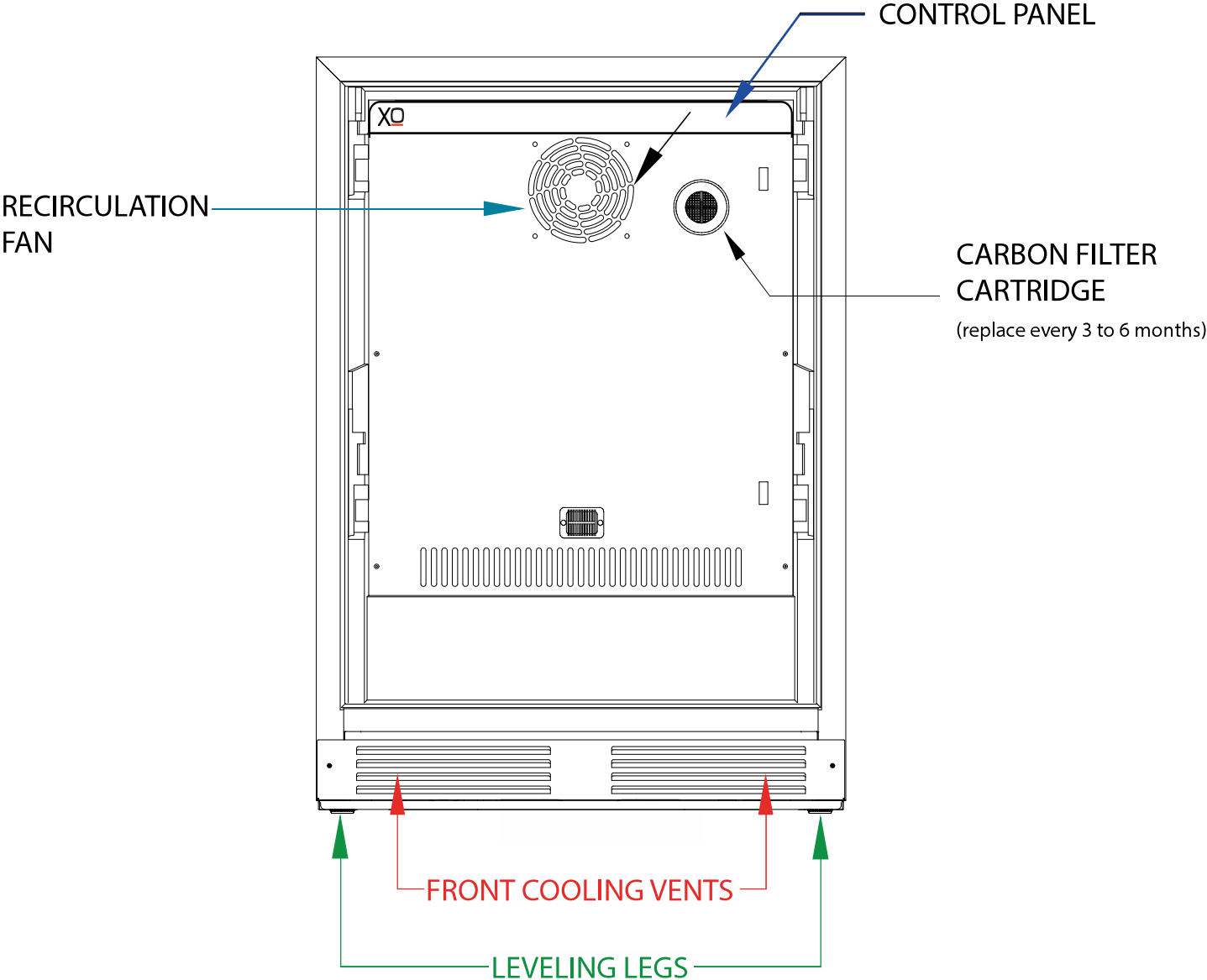
DO NOT NEGLECT THIS IMPORTANT STEP



Rotate to raise or lower the **LEVELING LEGS** located at each of the four corners until all four legs are seated firmly on the floor and the interior floor of the unit is level **both front to back and side to side**.

Failure to follow this important step may cause problems with proper drawer operation, excessive condensation, vibration and noise.

MEET YOUR XO



INTERIOR SHOWN WITH DRAWERS REMOVED

TAKE CONTROL

TEMPERATURE



Your XO Refrigerated Drawer unit has an easy to use digital touch control panel.

Unit Temperature Settings Adjustable Range: 34° F to 50° F

Your XO refrigerated drawer unit remembers the last temperature setting in case of a power failure and automatically adjusts to the previous setting when power is restored.

When the +/- button is pressed, your unit automatically enters set up mode. The LED Display will begin flashing and display the temperature setting.

Each time you press the + button, the temperature setting will increase 1 Degree. Each time you press the - button, the temperature setting will decrease 1 Degree.

Once you have reached the desired temperature setting, the display will continue to flash for 5 seconds, then revert to showing the compartment temperature.


To view the real time temperature, press and hold the +/- button for 5 seconds. The interior temperature will flash in the LED Display for 5 seconds.

If you wish to change the display from Fahrenheit to Celsius (or vice versa) press and hold both "+" and "-" simultaneously for 5 seconds.

LED LIGHTS



L1: When you turn on your unit, the internal light will turn on when the drawer is opened, and off when the drawer is closed.

L2: Press  , the internal light will remain on continuously and dim after 3 minutes.



L3: Press  twice, the internal light will remain on for 10 minutes and then shut off.

TAKE CONTROL

CONTINUED



TRI-COLOR LIGHTING



When you turn your XO Unit on, the interior lights will be white.
Press the  icon and the lights will change to midnight blue.
Press the  icon again and the lights will change to honey amber.

ECO MODE







When you turn you XO Unit on, it is set to work in Standard Mode.
Press  and ECO Mode is turned on, ECO Mode is an energy saver function.
Press  again and ECO Mode is turned off, the unit returns to Standard Mode.



SABBATH MODE



Sabbath Mode was designed for use on the Jewish Sabbath and Holidays.
The Sabbath Mode feature makes it possible to use your appliance during the duration of the holiday. The Sabbath Mode overrides typical reactions caused by interactions with the unit. While in Sabbath Mode your appliance will operate, however it will not respond to your actions.

To initiate Sabbath Mode: Press and hold both  +  for 5 seconds.
The display will show either "Sb" or "Sb On" depending on the model you have to indicate Sabbath Mode is engaged.
To turn Sabbath Mode off and return to Standard Mode, Press and hold both  +  for 5 seconds again.

DEMO MODE

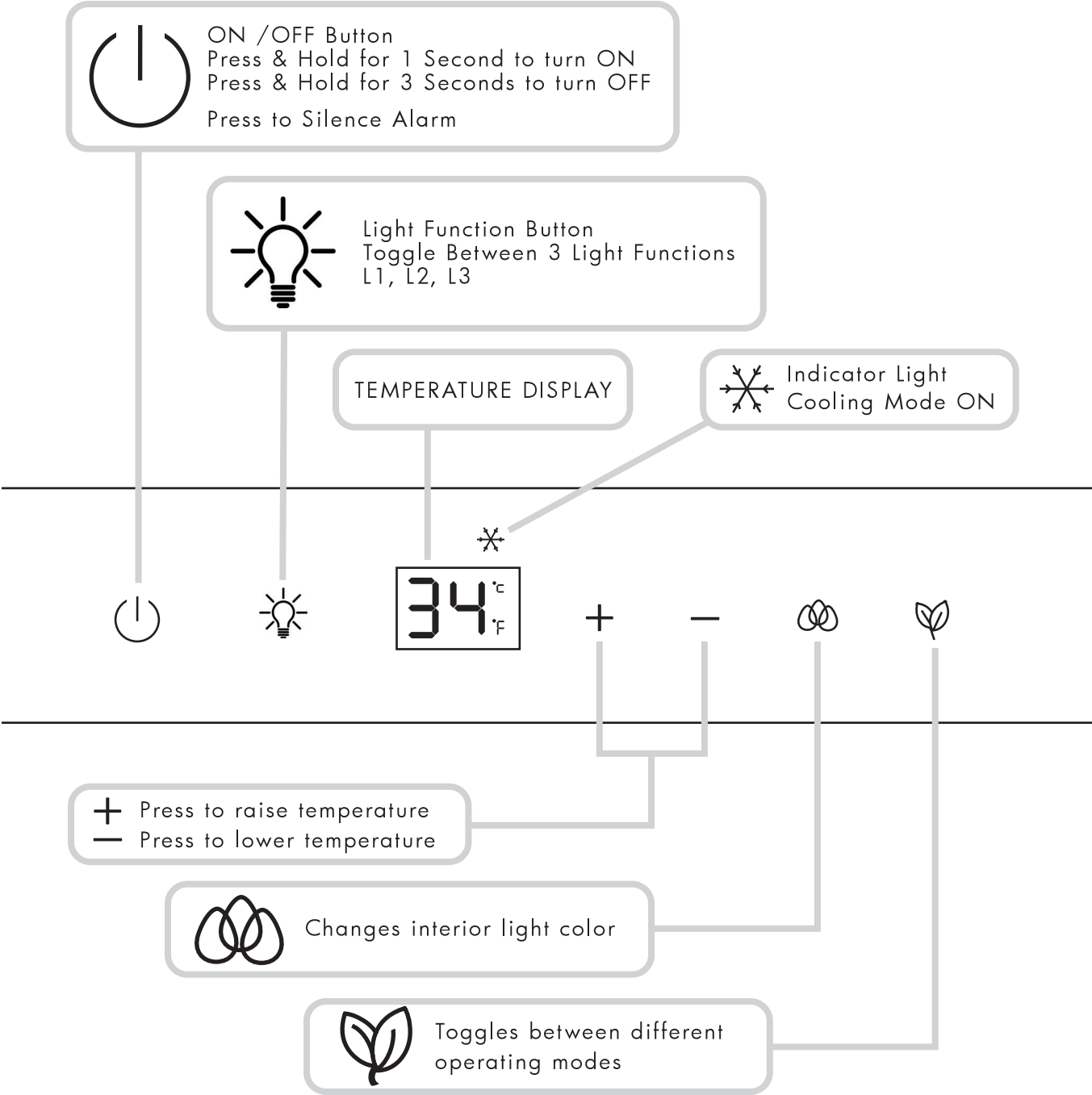
Press  for 5 seconds, DEMO mode is turned on.
Press  for 5 seconds again, DEMO mode is turned off and your XO returns to standard mode.

Your controls are simple and intuitive to operate.

I love
saving
Energy!

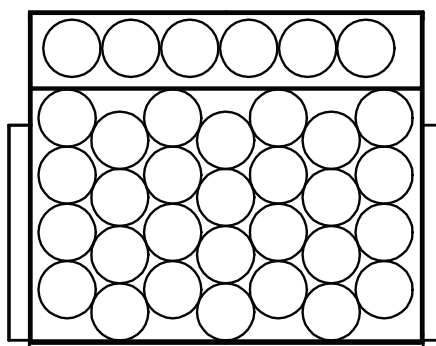
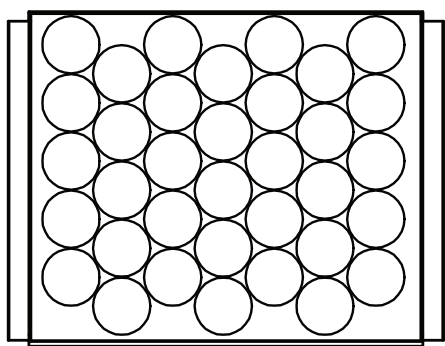
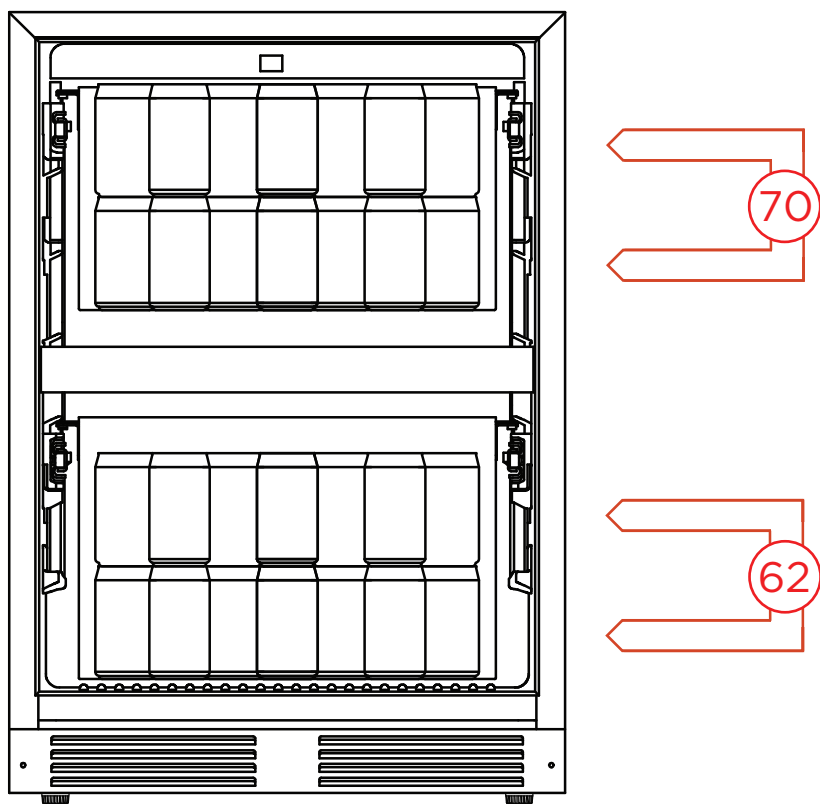
XO

CONTROL PANEL



The temperature setting can be adjusted from 34-50°F.
Your controls are simple and intuitive to operate.

HOW MANY 12 OZ CANS CAN THIS HOLD



Top view
of shelf
showing
packing
density.

Store wine in sealed bottles only
Avoid overloading
Storing little or no product can cause excessive condensation

A LITTLE TLC GOES A LONG WAY

Cleaning the Inside:

Interior walls, floor, and drawers - Some water deposits and dust can be removed with a dry paper towel, others may require a damp cloth.

Cleaning the Outside:

Outer case - It is important to keep the area clean where the drawer seals against the cabinet. Clean the area with a soapy cloth. Rinse with a damp cloth and let dry.

Control Panel and Drawers - Wipe with a damp cloth and dry thoroughly. Do not use cleaning sprays, large amounts of soap and water, abrasive, or sharp objects on the panel, they can damage it.

CAUTION: Some paper towels may also scratch the control panel.

Drawer Surface - Use only mild, non-abrasive detergents applied with a clean sponge or soft cloth. Rinse well with damp cloth.

NOTE: Do not use cleaners containing ammonia or alcohol on your XO unit. Ammonia or alcohol can damage the appearance of the appliance.

NOTE: Never use any commercial/abrasive cleaners or sharp objects on any part of the wine cooler.

POWER FAILURE

Most power failures are corrected within a few hours and should not affect the temperature of your appliance if you minimize the number of times the drawers are opened.

If the power is off for a longer period of time, you need to take the proper steps to protect your contents.

VACATION

Short vacations: Leave the XO unit operating during vacations of less than three (3) weeks.

Long vacations: If the appliance will not be used for an extended period, remove all items and turn off the appliance.

Clean and dry the interior thoroughly. To prevent odor and mold growth, leave the drawers open slightly, blocking it open if necessary.

ENERGY SAVING TIP

The unit should be located in the coolest area of the room, away from heat producing appliances, and out of direct sunlight.

MOVING

Remove all items and securely tape down all loose items (shelves) inside your appliance

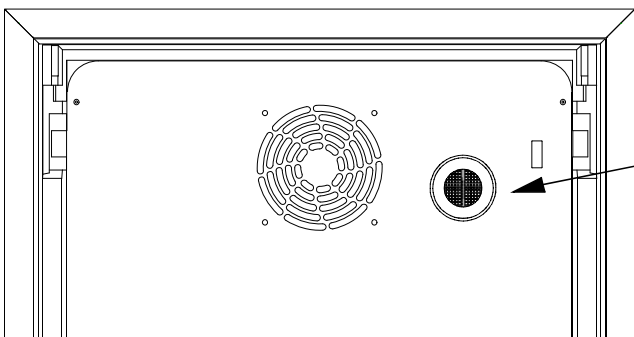
Turn the adjustable leveling legs all the way into the base to avoid damage

Tape the door shut and transport the XO unit securely in the upright position

Blanket wrap the exterior to help protect against scratches and other damage

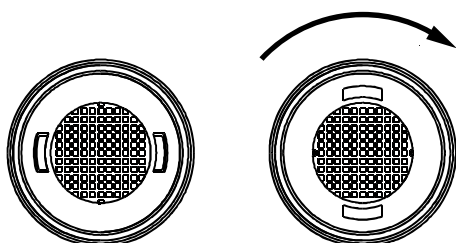
A BREATHE OF FRESH AIR

FOR BEST RESULTS CHANGE EVERY 3 TO 6 MONTHS

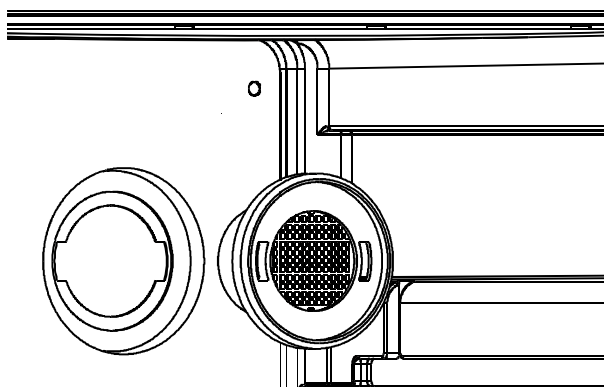


Your Air Refresh
Charcoal Filter
Is Located Here

P/N: XOUAIRFILTER

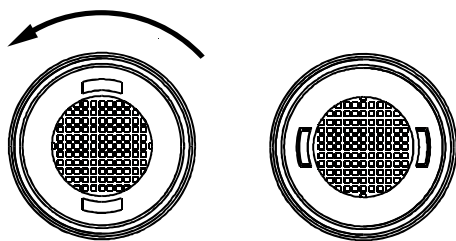


Rotate the filter 1/4 turn
to unlock



Pull straight out to remove

Align the tabs and
insert the new filter



Rotate filter 1/4 turn
to lock in place

FAQ'S

Q. There doesn't appear to be any power to the unit.

- A. There are 3 easy to check common causes:
- (1) Check to see if a fuse has blown or circuit breaker has tripped & replace or reset.
 - (2) Check to ensure the plug is fully inserted into the outlet.
 - (3) A power surge may have caused the unit to shut down to protect itself - Unplug the unit, wait 5 seconds and plug it back in.

Q. The cabinet temperature is too high.

- A. Check these 5 things:
- (1) Check the temperature setting and adjust as needed.
 - (2) Make certain the door is completely closed and the door gasket is sealing properly.
 - (3) Avoid opening the door frequently and/or leaving the door open for extended periods.
 - (4) Did you load a large quantity of warm bottles at once? It is better to add smaller quantities in several loads.
 - (5) Make certain nothing is blocking the toe kick vents (including dust behind the vents).

Q. The alarm is beeping and "HI" is displayed on the control panel.

- A. See the question and answers above - if the door has been tightly closed and you have not recently added a large quantity of warm bottles, it may be a mechanical issue. Unplug the unit and call for service.

Q. The alarm is beeping and "LO" is displayed on the control panel.

- A. This may be a sensor malfunction. Unplug the unit and call for service.

Q. Why does condensation form on the inside or outside of my XO unit?

- A. It may be that the door is either opened repeatedly or not closed completely. It may also be due to an excessive ambient humidity, in which case it will clear when the humidity drops.

Q. There is warm air coming from the bottom of my unit.

- A. This is normal. Cooling systems must vent the heat they remove from inside the cabinet.

YOUR XO IS VERY QUIET BUT IT ISN'T SILENT - WHAT ARE THOSE SOUNDS?

Today's advanced refrigeration systems incorporate the latest technology like high efficiency compressors and refrigerant evaporators which continually adjust their operation to maximize performance while saving energy.

For that reason you may question the occasional hums, clicks or gurgling that accompany fans changing speed, coils equalizing pressure, or valves and dampers resetting. That doesn't mean something is wrong, in fact it generally means your unit is functioning at peak efficiency. So expect to hear the recirculation fan humming or the sounds change when you are opening and closing the system to add or remove bottles and cans. When you do that, you change the internal temperature. The unit senses these changes and works to compensate for it. So everything will be stored at your desired temperature quickly and efficiently.

MORE QUESTIONS - contact us on-line at www.xoappliance.com

WE'VE GOT YOUR BACK

90 DAY LOVE IT or LEAVE IT. For 90 Days all our products are backed by our unique Love it or Leave it Guarantee.

TWO-YEAR PARTS & LABOR LIMITED WARRANTY. XO warrants to the original purchaser of every new XO refrigerated unit, the cabinet and all parts thereof, to be free from defects in material or workmanship under normal and proper use and maintenance as specified by XO and upon proper installation and start-up in accordance with the instruction packet supplied with each XO unit. XO's obligation under this warranty is limited to a period of two (2) years from the date of original purchase.

FIVE-YEAR COMPRESSOR LIMITED WARRANTY. XO warrants its compressor to be free from defects in both material and workmanship under normal and proper use and maintenance service for a period of five (5) years from the date of original purchase. If the compressor fails during that time period due to a defect in material or workmanship, XO will supply a replacement compressor free of charge. The consumer will be responsible for all related transportation and labor costs. Product must be registered with XO to qualify for this warranty.

TERMS APPLICABLE TO EACH WARRANTY. Any part covered under the above warranties that is determined by XO to have been defective within the time frame is limited to the repair or replacement, including labor charges, of defective parts or assemblies. The labor warranty shall include standard straight time labor charges only and reasonable travel time, as determined by XO.

WARRANTY CLAIMS. All claims for labor or parts must be made directly through XO. All claims should include: model number and serial number of cabinet, proof of purchase, and date of installation. In case of warranted compressor, the compressor model tag must be returned to XO along with the above listed information.

WHAT IS NOT COVERED BY THIS WARRANTY. XO's sole obligation under this warranty is limited to either repair or replacement of parts, subject to the additional limitations below. This warranty neither assumes nor authorizes any person to assume obligations other than those expressly covered by this warranty. Open box, factory seconds, scratch and dent, floor models and commercial applications are excluded from these warranties. Consumer shall be responsible for labor and transportation costs where noted above.

NO CONSEQUENTIAL DAMAGES. XO is not responsible for economic loss, profit loss; or special, indirect or consequential damages, including without limitation, losses or damages arising from food or product spoilage claims whether or not on account or refrigeration failure.

WARRANTY IS NOT TRANSFERABLE. This warranty is not assignable and applies only in favor of the original purchaser/user at the original installation location. Any such assignment or transfer shall void the warranties herein made and shall void all warranties, express or implied, including any warranty or merchantability or fitness for a particular purpose.

IMPROPER USAGE. XO assumes no liability for parts or labor coverage for component failure or other damages resulting from improper usage or installation or failure to clean and/or maintain product as set forth in the warranty packet provided with the unit.

ALTERATION OR NEGLIGENCE. XO is not responsible for the repair or replacement of any parts that XO determines have been subjected after the date of manufacture to alteration, neglect, abuse, misuse, accident, damage during transit or installation, fire, flood, or act of God.

IMPROPER ELECTRICAL CONNECTIONS. XO is not responsible for the repair or replacement of failed or damaged components resulting from electrical power failure, high or low voltage, use of extension cords, or improper grounding of the unit.

YOUR RIGHTS UNDER STATE LAW. This warranty gives you specific legal rights and you may have other rights that vary from state to state. Some states do not allow the exclusion or limitation of consequential damages or a limitation on how long an implied warranty lasts, so the above exclusion or limitation may not apply to you.

OUTSIDE U.S. This warranty does not apply to, and XO is not responsible for, any warranty claims made on products sold or used outside the 48 continental United States.

To obtain service:

Call 973-403-8900 | email service@xoappliance.com | or submit a request on our website
www.xoappliance.com

