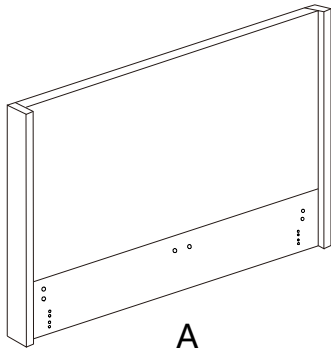


PALERMO/VERONA HEADBOARD FULL/QN/CK/EK ASSEMBLY INSTRUCTIONS



- A. HEADBOARD 1 PC
- B. HEADBOARD LEG 2 PCS



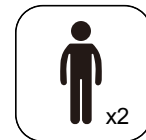
A



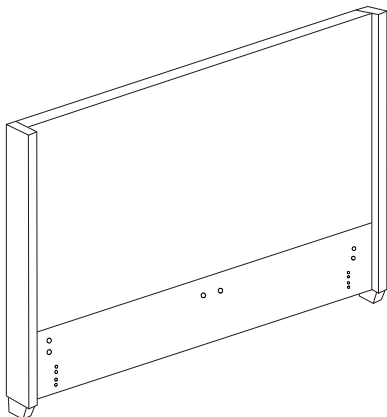
B

HARDWARE PACKED WITH HEADBOARD

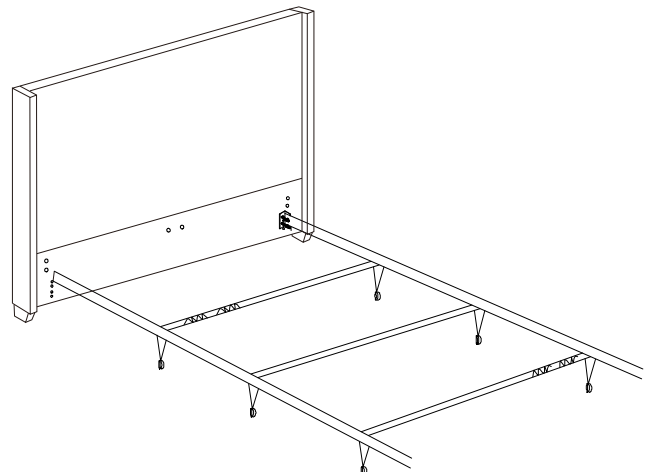
1	ALLEN BOLT(1/4"x1")		8 PCS
2	ALLEN BOLT(5/16"x3-1/4")		4 PCS
3	FLAT WASHER(5/16")		12 PCS
4	LOCK WASHER(5/16")		12 PCS
5	ALLEN KEY(1/4")		1 PC
6	ALLEN KEY(5/16")		1 PC



PALERMO/VERONA HEADBOARD ASSEMBLED



PALERMO/VERONA HEADBOARD ASSEMBLED SHOWN WITH METAL BED FRAME.

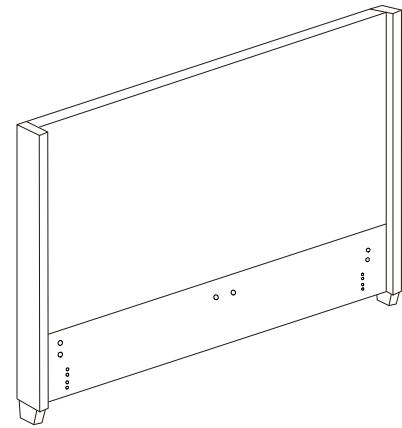
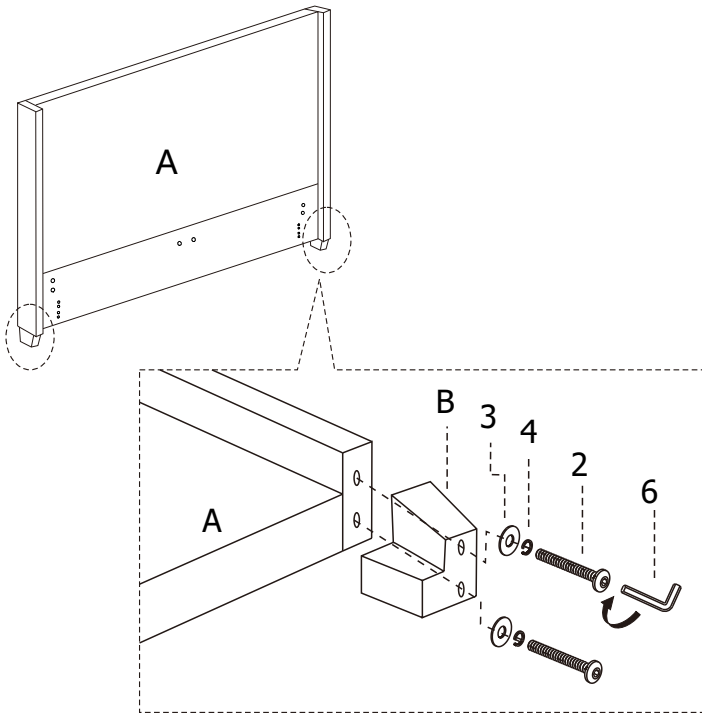


*METAL BED FRAME NOT INCLUDED

PALERMO/VERONA HEADBOARD FULL/QN/CK/EK ASSEMBLY INSTRUCTIONS

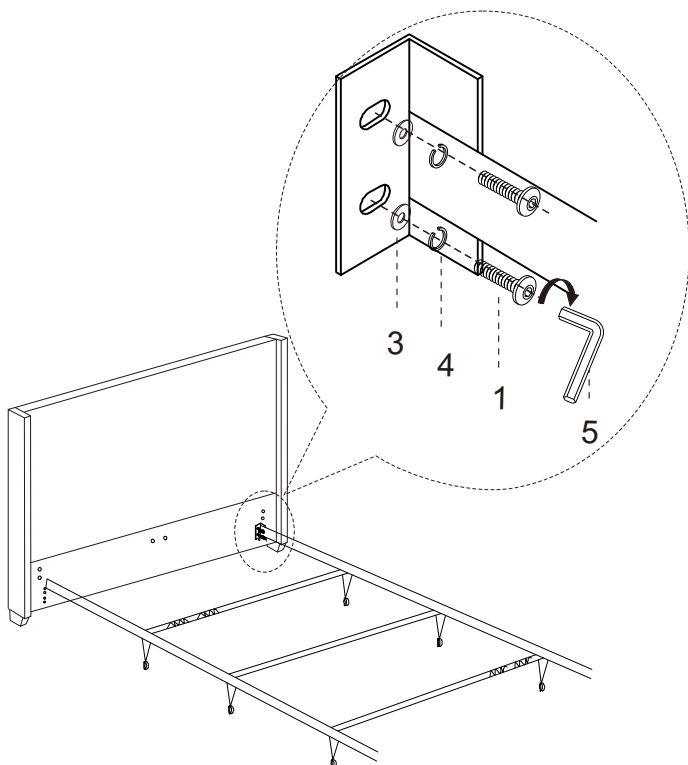


OPTION 1, STEP 1:
REMOVE LEGS (B) FROM THE BACK OF
THE HEADBOARD.



ASSEMBLY COMPLETE.

OPTION 2, STEP 1:



**OPTION 2:
ASSEMBLY COMPLETE**

