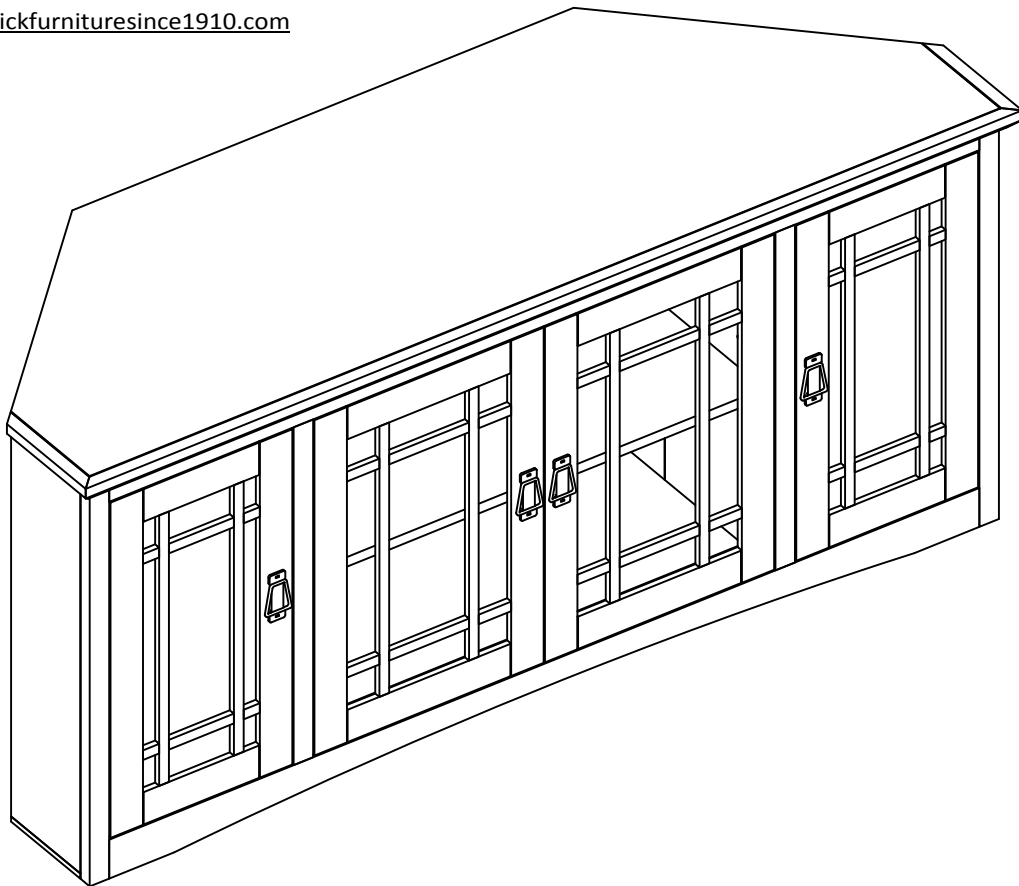


ITEM# 82386



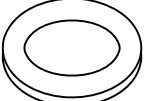
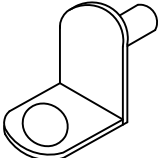
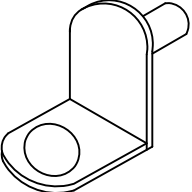
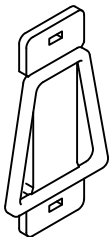

Mission 25" H, 57" W Corner TV Console

**Leick**  
Home  
SINCE 1910

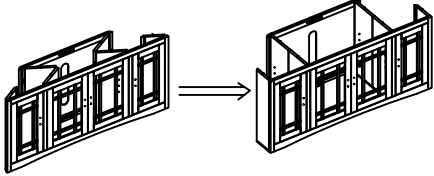
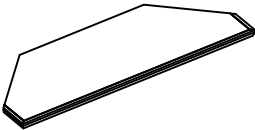
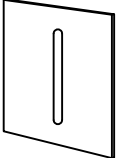
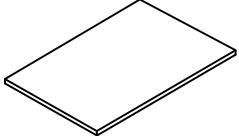
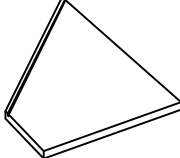
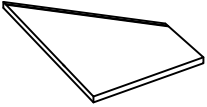
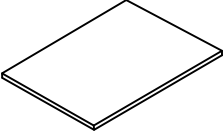
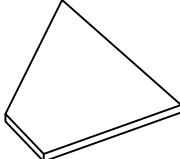
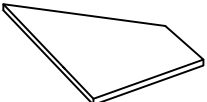
2219 S. 19th St.  
Sheboygan, WI 53081  
Ph: 920-451-4060  
Fax: 920-451-4063  
[info@leickfurnituresince1910.com](mailto:info@leickfurnituresince1910.com)



## Hardware List

Item	Description	Qty
a	 Bolt 1/4" * 1-1/8"	4PCS
b	 Allen wrench	1PC
c	 Washer 1/4" * 12mm	4PCS
d	 Shelf metal clip	12PCS
e	 Bigger Shelf metal clip	2PCS
f	 Door Pull	4PCS
g	 Machine screw for door pull 5/32" * 3/4"	8PCS

# Parts List

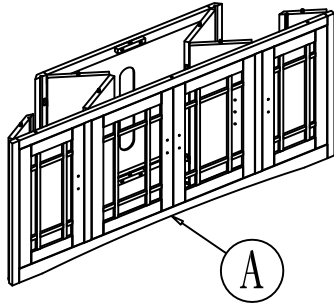
Item	Description	Qty
A	 Cabinet	1PC
B	 Top Panel	1PC
C	 Side Back Panel	2PCS
D	 Middle Bottom Panel	1PC
E	 Left Side Bottom Panel	1PC
F	 Right Side Bottom Panel	1PC
G	 Middle Adjustable Shelf	1PC
H	 Left Side Adjustable Shelf	1PC
I	 Right Side Adjustable Shelf	1PC

# Assembly Instructions

Two person assembly recommended.

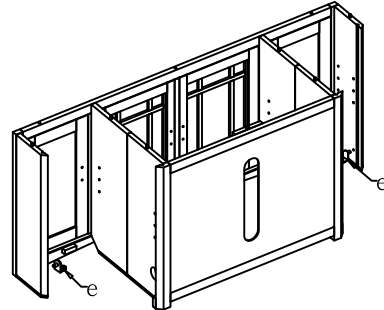
## step 1

Unfold Cabinet.



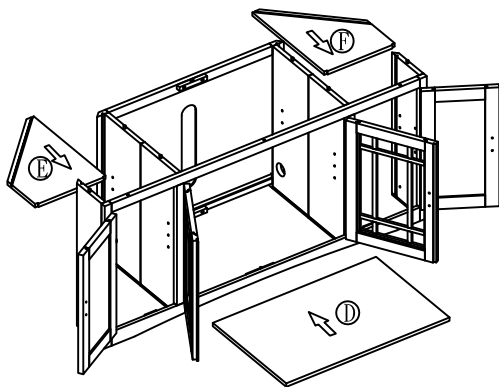
## step 2

Install two bigger shelf clips on the side bottom.



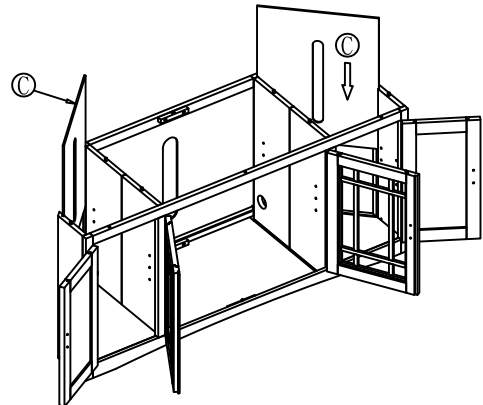
## step 3

Open 4 doors. Insert the center bottom panel first, then insert the side bottom panel.



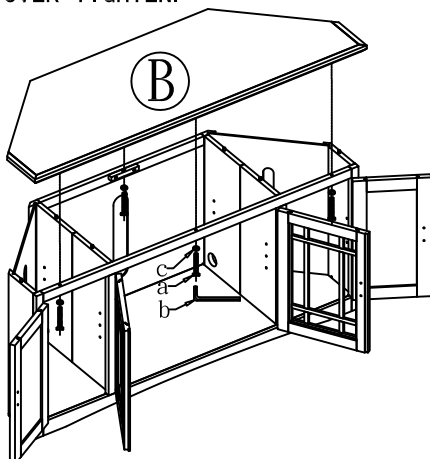
## step 4

Insert two side back panels.



## step 5

Bolt on top with 4 bolts.  
DO NOT OVER TIGHTEN.



## step 6

Install shelf clips and insert shelves and door pulls.

