


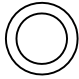



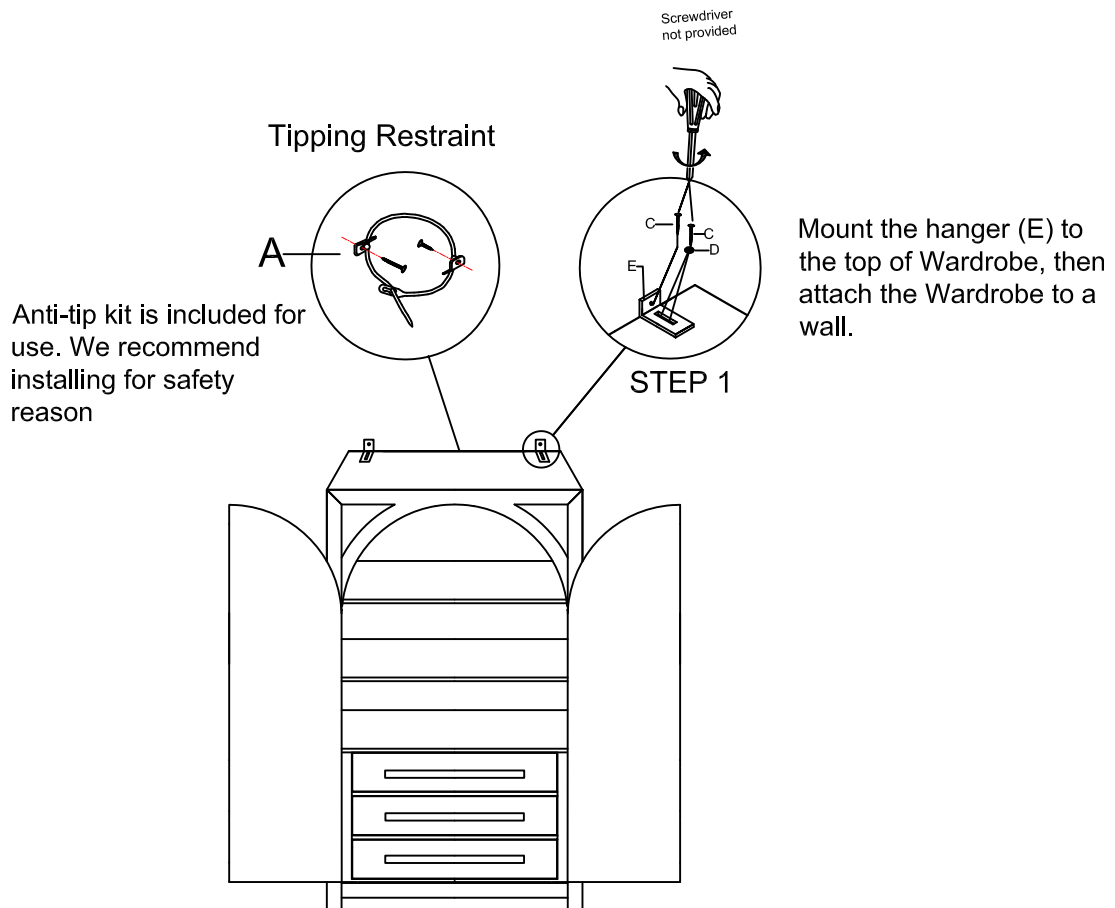
Thank you for purchasing this quality product. Be sure to unpack carefully looking for small parts which may have come loose during shipment.

Read all instruction and study the drawing carefully before starting the assembly process.

HARDWARE PACK

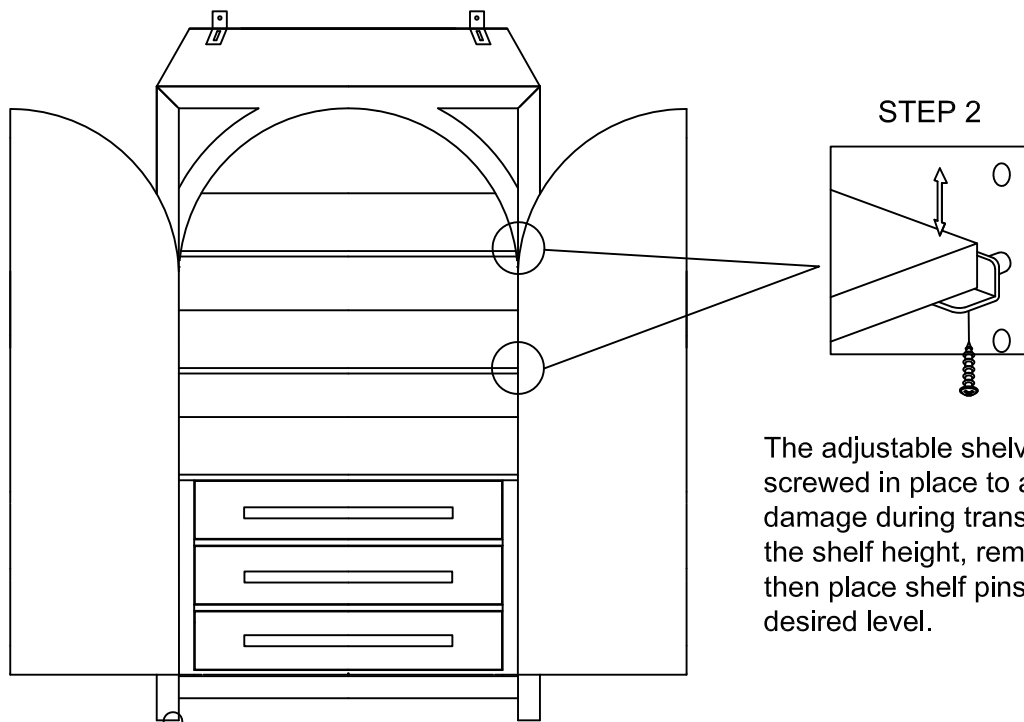
| NO. | DRAWING | DESCRIPTION | SIZE | Q'TY |
|-----|---|----------------|------------|------|
| A |  | Anti - Tip Kit | | 1PC |
| B |  | Plastic Anchor | ∅ 9*30mm | 2PCS |
| C |  | Screw | 1 1/4" | 6PCS |
| D |  | Flat Washer | 16mm | 4PCS |
| E |  | Hanger | 75*30*38mm | 2PCS |

Caution: This item must be attached to a wall for safety reason.



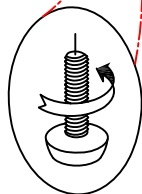
Thank you for purchasing this quality product. Be sure to unpack carefully looking for small parts which may have come loose during shipment.

Read all instruction and study the drawing carefully before starting the assembly process.



STEP 2

The adjustable shelves are screwed in place to avoid damage during transit. To adjust the shelf height, remove screws then place shelf pins in the desired level.



STEP 3

Adjust Leveler if needed to level wardrobe on uneven floor.