

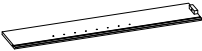

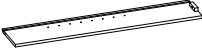

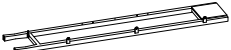

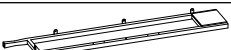


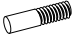



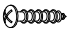




Assembly Instructions, #11263 Ironcraft Mantel Height Bookcase with Drawer Storage

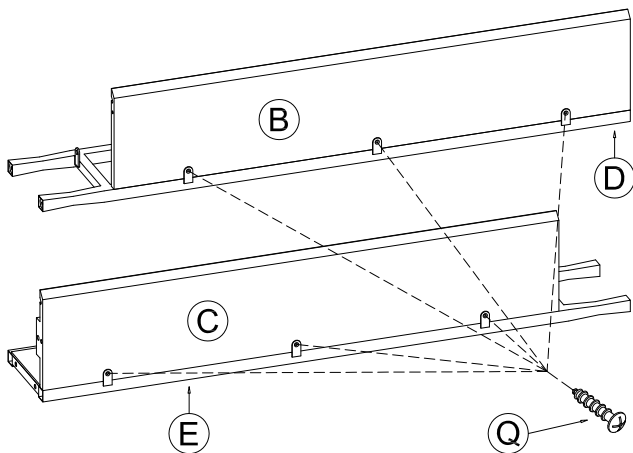
A: Top Panel		J: (8) Long Bolts	
B: Left Side Panel		K: (4) Short Bolts	
C: Right Side Panel		L: (12) Lock Washers	
D: Left Front Frame		M: (12) Flat Washers	
E: Right Front Frame		N: Allen Wrench	
F: Bottom Panel		O: (4) Rounded shelf supports	
G: (2) Adjustable Shelves		P: (4) Flat shelf supports	
H: Back Panel		Q: (10) Screws	
I: (2) Back Feet		R: Anti-tipping kit	

Note:

A packet with complete set of hardware can be found by pulling the red ribbon that's easily visible upon opening the box.

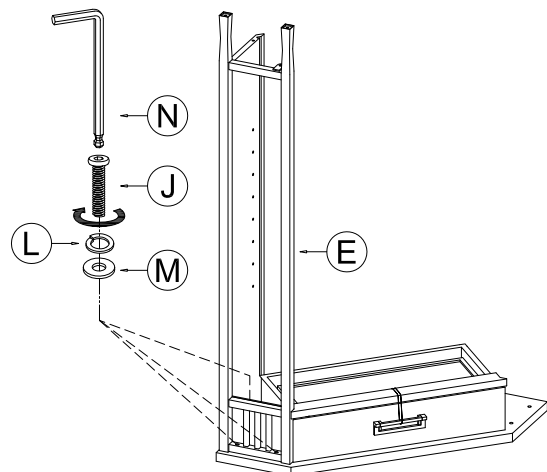
Step 1

- 1.1 Fasten the right side panel (C) and right front frame (E) as per following sketch with three screws into predrilled holes.
- 1.2 Do the same thing on the left side parts.



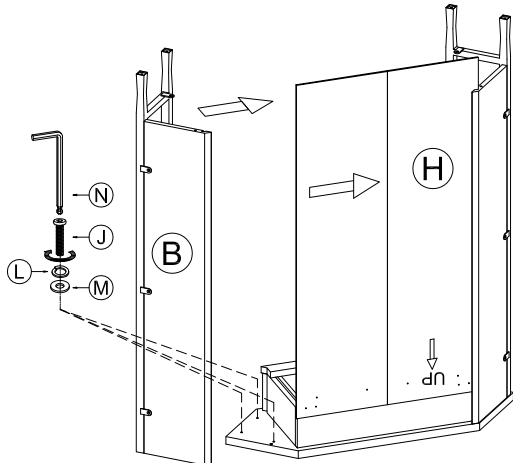
Step 2

- 2.1 Put the top assembly upside down on a soft surface. Place the assembled side frame on it, make sure the wooden dowel on upper edge of side panel is properly inserted to the hole on top panel. Fasten with three long bolts, do not tighten.



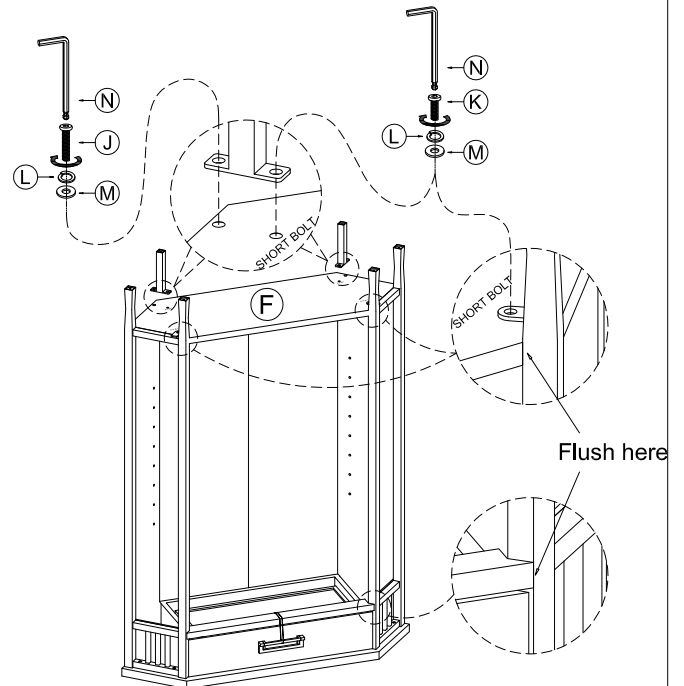
Step 3

- 3.1 Unfold the back panel and slide it into the side panel's groove with arrow 'up' pointing down.
- 3.2 Insert the other side of back panel to the side panel's groove while assembling the other half of the side frame as stated in step 2.



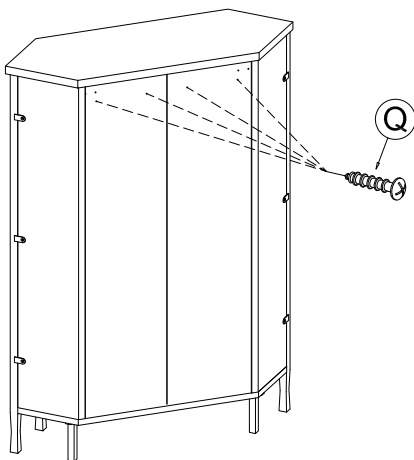
Step 4

- 4.1 Place the bottom panel on, ensure the bottom edge of back panel properly fits into the groove of bottom panel. Fasten the bottom panel with two short bolts. Do not tighten.
- 4.2 Place two back feet on the bottom panel, push the side frame to the bottom panel to ensure all holes are properly aligned. Fasten with two short bolts and two long bolts. Tighten.
- 4.3 Tighten all other bolts while pushing the metal frames to the drawer front edges and shelf edges until all parts are aligned.



Step 5

- 5.1 Fasten the back panel with four screws.



Step 6

- 6.1 Screw the rounded shelf supports on metal posts and flat shelf supports on side panels, then place the adjustable shelves on.
- 6.2 Cut the string that held the drawer pull in place during transit.
- 6.3 Adjust the levelers on the bottom of legs if needed.
- 6.4 Fasten the Furniture Tipping Restraint with 2 screws to the wall and another 2 screws to the upper back of the Bookcase, pull its end to tighten.

Furniture Tipping Restraint must always be used to prevent serious harm or death to children.

