

# Assembly Guide



**Bush**  
FURNITURE

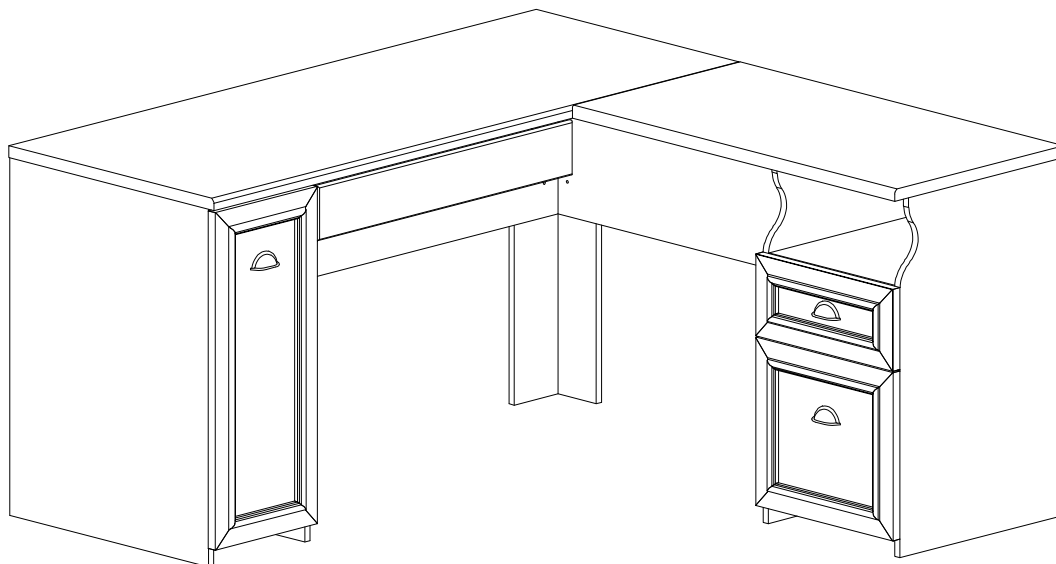


If you're having any difficulty during assembly of this product, don't hesitate to call us at **1-800-950-4782.**

Our customer service experts are trained to provide step-by-step instruction and can easily replace any missing or damaged parts.

**Representatives are available Monday-Friday from 8:30 a.m. to 7:30 p.m. (ET)**

## L-Desk



Lot Code #

Part Number A159345K

Keep manual for future reference.

# Bush<sup>®</sup>

## FURNITURE

**Thank you for purchasing** this Bush Furniture product. We trust that you will be completely satisfied with your product for many years to come. Bush Furniture products are backed by a 6-year warranty and crafted with today's styles in mind for the way you work. **Do not return product to store — contact us first at 1-800-950-4782.**

**Merci d'avoir acheté** ce produit Bush Furniture. Nous sommes sûr que vous serez complètement satisfait de votre meuble pendant de nombreuses années. Les produits Bush Furniture sont garantis pendant 6 ans et sont conçus dans les styles actuels tout en gardant à l'esprit votre façon de travailler. **Ne renvoyez pas le produit au magasin, contactez-nous d'abord au 1-800-950-4782.**

**Gracias por comprar** este producto de Bush Furniture. Confiamos que usted estará completamente satisfecho con su mueble por muchos años. Los productos de Bush Furniture tienen 6 años de garantía y son diseñados con los estilos de hoy en mente para la manera que usted vive. **No devuelva el producto a la tienda, primero comuníquese con nosotros al 1-800-950-4782.**

## CONTACT US

Monday – Friday  
8:30 a.m. – 7:30 p.m. ET  
(Except Holidays)

Bush Consumer Services  
One Mason Drive, P.O. Box 460  
Jamestown, NY 14701  
ConsumerService@Bushindustries.com

**1-800-950-4782 USA/CANADA**  
**001-800-950-4782 MEXICO**

Se habla español  
Outside USA/CANADA/MEXICO  
001-716-665-2510 Ext. 4514

## IT'S AS EASY AS 1,2,3

### Assembly tips:

1. Read the instructions and become familiar with the parts.
2. Ensure this carton contains all parts, fasteners and hardware.
3. To protect floors, assemble the furniture on the carton.
4. An assistant may be helpful.
5. Use of power tools is not recommended.

### Conseils d'assemblage:

1. Lisez les instructions et familiarisez-vous avec les pièces.
2. Assurez-vous que le carton contient toutes les pièces, toutes les pièces de fixation et toute la quincaillerie.
3. Pour protéger vos sols, assemblez le meuble sur le carton.
4. Il peut être utile de vous faire aider.
5. L'utilisation d'outils électriques n'est pas recommandée.

### Consejos de Ensamblaje:

1. Lea las instrucciones y familiarícese con las partes.
2. Asegúrese de que esta caja contenga todas las piezas, los sujetadores y el equipo.
3. Para proteger el piso, ensamble el mueble en el carton.
4. Un asistente puede serle útil.
5. El uso de herramientas eléctricas no se recomienda.



## CONSUMER SERVICE

### YOU CAN DEPEND ON

**Questions?** Operators are standing by at our TOLL-FREE help line to assist you with assembly; and, if necessary, to quickly replace damaged/missing parts. Assistance is available 5 days a week. Simply have your store receipt, instruction manual, and part number/description ready when you call our TOLL-FREE help line. It's that easy.

UN SERVICE CLIENTELE SUR LEQUEL VOUS POUVEZ COMPTER  
**Des questions?** Des opérateurs sont prêts sur notre ligne d'assistance GRATUITE pour vous aider à l'assemblage et, si nécessaire, remplacer rapidement les pièces endommagées/manquantes. L'assistance est disponible 5 jours par semaine. Ayez simplement votre reçu de magasin, votre manuel d'instruction et le numéro de pièces/description à votre disposition lorsque vous appelez notre ligne d'assistance GRATUITE. C'est aussi simple que ça.

SERVICIO AL CONSUMIDOR CON EL QUE PUEDE CONTAR  
**¿Preguntas?** Los operadores están listos para ayudarlo con el ensamblaje a través de una línea de ayuda GRATUITA, y en caso de ser necesario, reemplazar de inmediato las piezas dañadas o faltantes. La asistencia está disponible los 5 días de la semana. Solamente tenga listos su recibo de compra, manual de indicaciones y número/descripción de la pieza al momento de llamarnos a la línea de ayuda GRATUITA. Es así de sencillo.

[www.bushfurniture.com](http://www.bushfurniture.com)

**For best results, keep these tips in mind:**

- ① We know you want to finish this assembly as quickly as possible, but trust us: you'll have a better experience if you take it one step at a time.
- ② Give yourself some room to work near where you want the fully assembled product.
- ③ If your floor isn't carpeted, assemble this product on the empty carton to avoid scratching.
- ④ Do you have a friend who owes you a favor? Some steps may go a little easier with a second set of hands.

**DOs**

- ✔ Use a #2 Phillips head screwdriver (or other handheld tools as indicated)
- ✔ Wear safety glasses at all times during assembly
- ✔ Carefully follow the instructions in this guide and complete all steps in order
- ✔ Give us a call if you're having trouble with a particularly tricky step

**DON'Ts**

- ✘ We know power tools are quick and easy, but you shouldn't use them when assembling this product (unless otherwise specified)
- ✘ Never move your furniture with items inside or resting on the surface
- ✘ Do not attempt to use this product before all steps have been completed

**Watch assembly videos right on your phone or computer!**

Some steps include QR codes that link to helpful videos. Watch out for the icon below! Simply open up your smartphone camera to scan the code.

*(Users of older smartphones may need to install a QR Reader.)*

**SCAN HERE****FOR VIDEOS**

Or visit <https://bushfurniture.com/help-faq/#assembling>

# IMPORTANT SAFETY INFORMATION



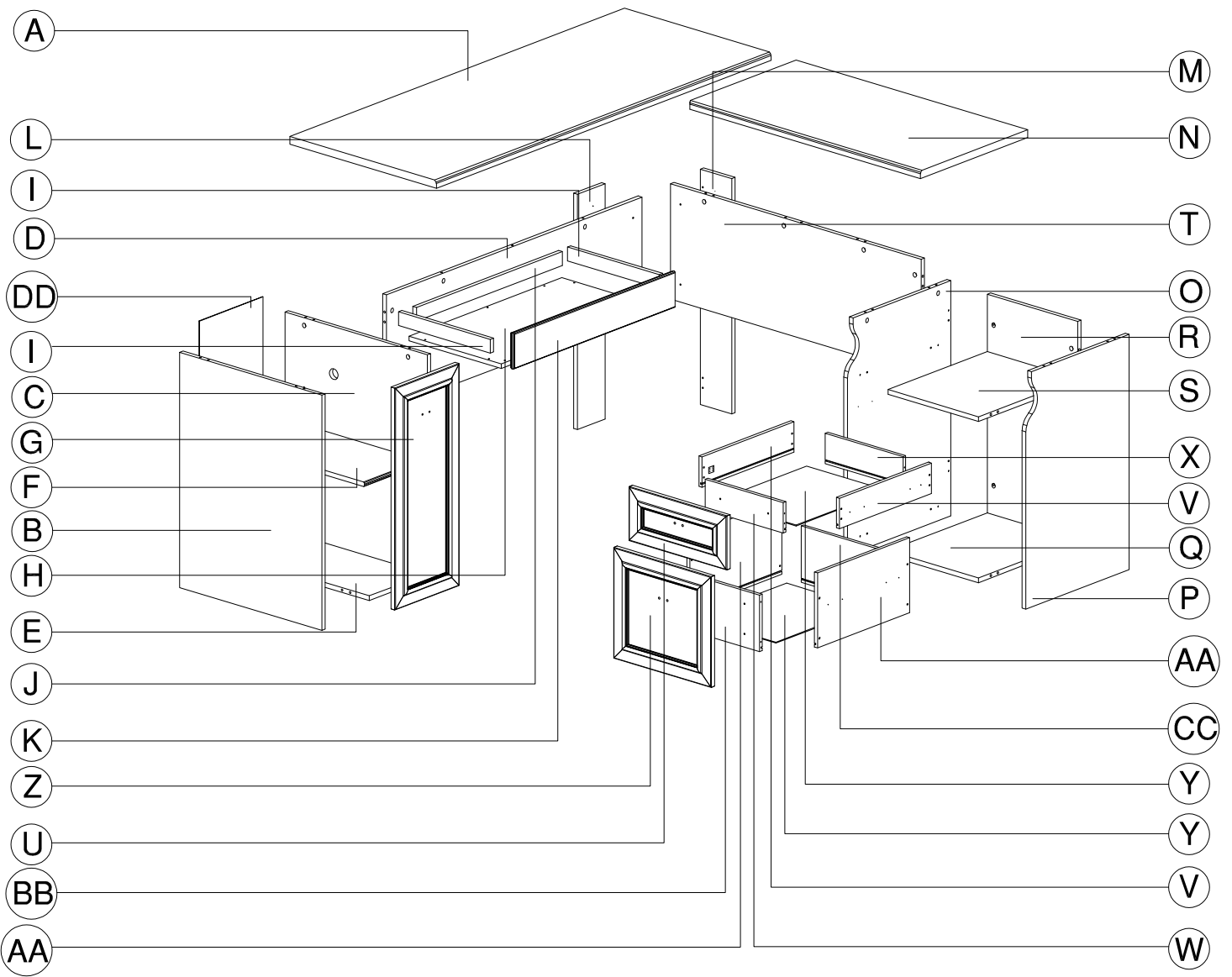
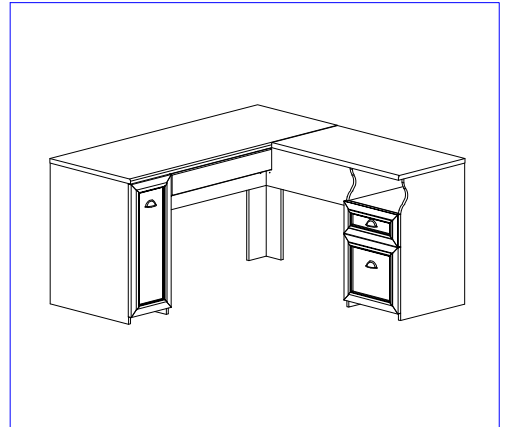
## PLEASE READ WARNINGS

Improper use can cause safety hazards, or damage to your furniture and household items.

Warning	Do	Don't	Why it's important
<b>Serious injury may occur.</b>	<ul style="list-style-type: none"><li>Assemble following all instructions using all indicated parts and hardware provided.</li></ul>	<ul style="list-style-type: none"><li>Do not move unit when loaded.</li><li>Do not load with a television or other heavy equipment.</li><li>Do not exceed the maximum load limits stated in the instructions.</li></ul>	Improper assembly, use or loading can lead to product instability, tipover, or collapse.

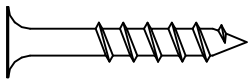
Advertencia	Hacer	No	Por qué es importante
<b>Pueden producirse lesiones graves.</b>	<ul style="list-style-type: none"><li>Realice el montaje siguiendo todas las instrucciones y utilizando todas las piezas indicadas y los herrajes suministrados.</li></ul>	<ul style="list-style-type: none"><li>No mueva la unidad cuando esté cargada.</li><li>No cargue el mueble con un televisor u otro equipo pesado.</li><li>No supere los límites máximos de carga indicados en las instrucciones.</li></ul>	El montaje, uso o carga inadecuados pueden provocar inestabilidad, vuelco o colapso del producto.

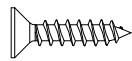
Avertissement	À faire	À ne pas faire	Pourquoi c'est important
<b>Peut entraîner des blessures graves.</b>	<ul style="list-style-type: none"><li>Assembler en suivant toutes les instructions et en utilisant toutes les pièces et la quincaillerie incluses.</li></ul>	<ul style="list-style-type: none"><li>Ne pas déplacer le meuble lorsqu'il est chargé.</li><li>Ne pas charger le meuble avec un téléviseur ou tout autre équipement lourd.</li><li>Ne pas dépasser les limites de poids maximales indiquées dans les instructions.</li></ul>	Un assemblage, une utilisation ou un chargement incorrects peuvent entraîner l'instabilité, le basculement ou l'effondrement du produit.

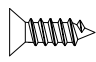



Have an assembly question or need a replacement part? Just call  
**1-800-950-4782**, we are here to help.

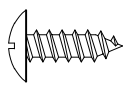
Fasteners are shown actual size.

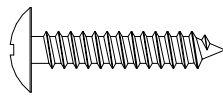
H26053  [ 23 ]  
#10 x 1-1/4"

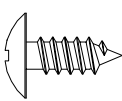
H159316  [ 2 ]  
#6 x 5/8"

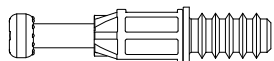
H124395  [ 24 ]  
#6 x 1/2"

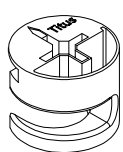
H160159  [ 16 ]  
#8 x 9/16"


H43507  [ 4 ]  
#8 x 1/2"

H23682  [ 4 ]  
#10 x 1"

H35251  [ 14 ]  
#10 x 1/2"

H72988  [ 36 ]  
KD Bolt

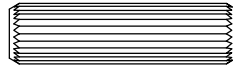
H181468  [ 36 ]  
KD Cam

 [ 20 ]  
#3 x 3/4"

Have an assembly question or need a replacement part? Just call  
**1-800-950-4782**, we are here to help.

Fasteners are shown actual size.

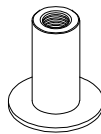
H38169



[ 34 ]

Wood Dowel  
8 x 30mm

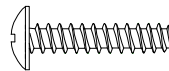
H159343



[ 2 ]

Nut 4mm

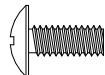
H160161



[ 6 ]

#8 x 3/4"

H160160



[ 6 ]

M4 x 10mm

H159344



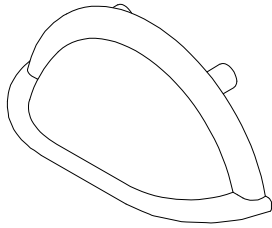
[ 2 ]

M4 x 19mm

Have an assembly question or need a replacement part? Just call  
**1-800-950-4782**, we are here to help.

Hardware not to scale.

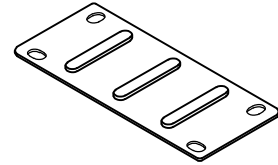
H148802



Handle

[ 3 ]

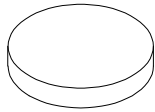
H39922



Strap

[ 2 ]

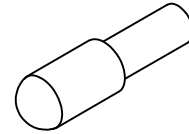
H158082



Bumper

[ 2 ]

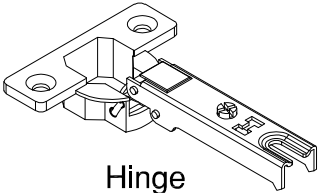
H158707



Shelf Pin

[ 4 ]

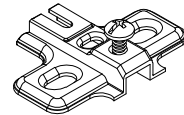
H160163



Hinge

[ 2 ]

H160164



Mounting Plate

[ 2 ]

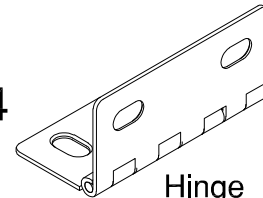
H20385



Tack Glide

[ 11 ]

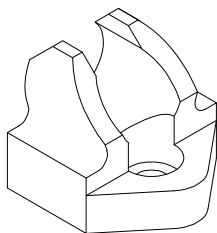
H146934



Hinge

[ 2 ]

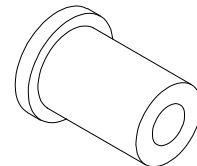
H157983



Catch Base

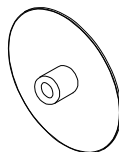
[ 2 ]

H157984



Catch Bolt

[ 2 ]



Cover Cap

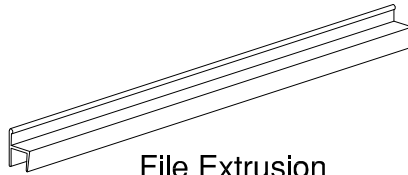
[ 22 ]

Have an assembly question or need a replacement part? Just call  
**1-800-950-4782**, we are here to help.



Hardware not to scale.

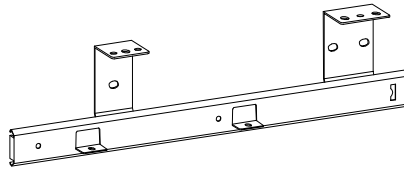
H156859



File Extrusion  
16-1/4" (414mm)

[ 2 ]

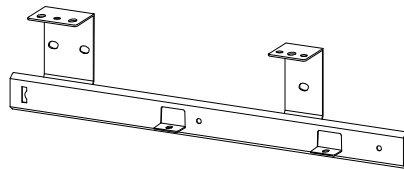
Z92806



16" Left Slide Mount

[ 1 ]

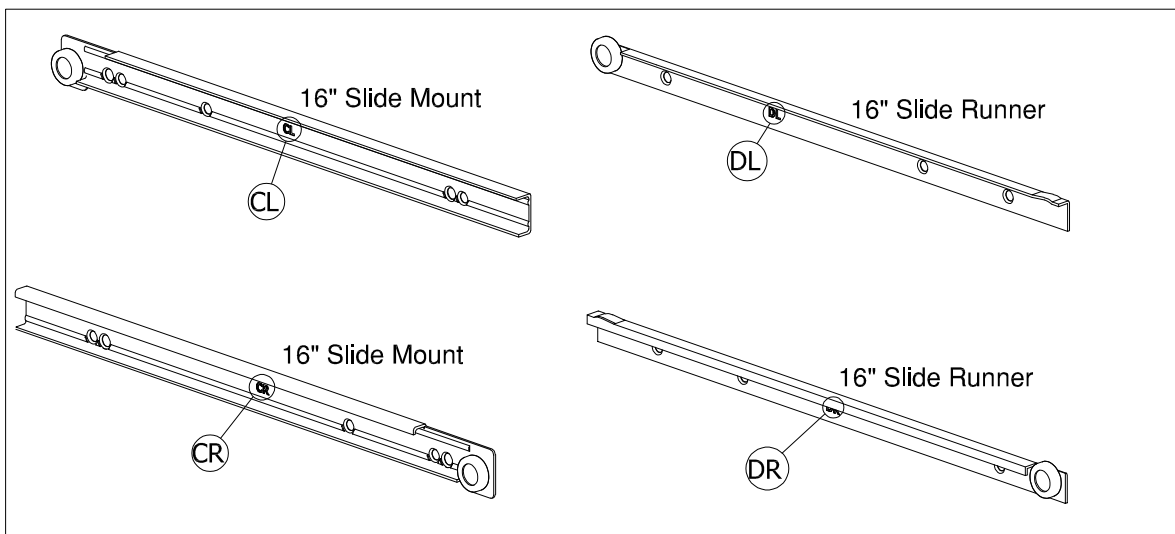
Z92807



16" Right Slide Mount

[ 1 ]

Q89897



[ 2 ]

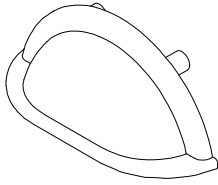
Have an assembly question or need a replacement part? Just call  
**1-800-950-4782**, we are here to help.

# STEP 1

## Prepare Panels

A159345K

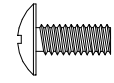
H148802



[ 2 ]

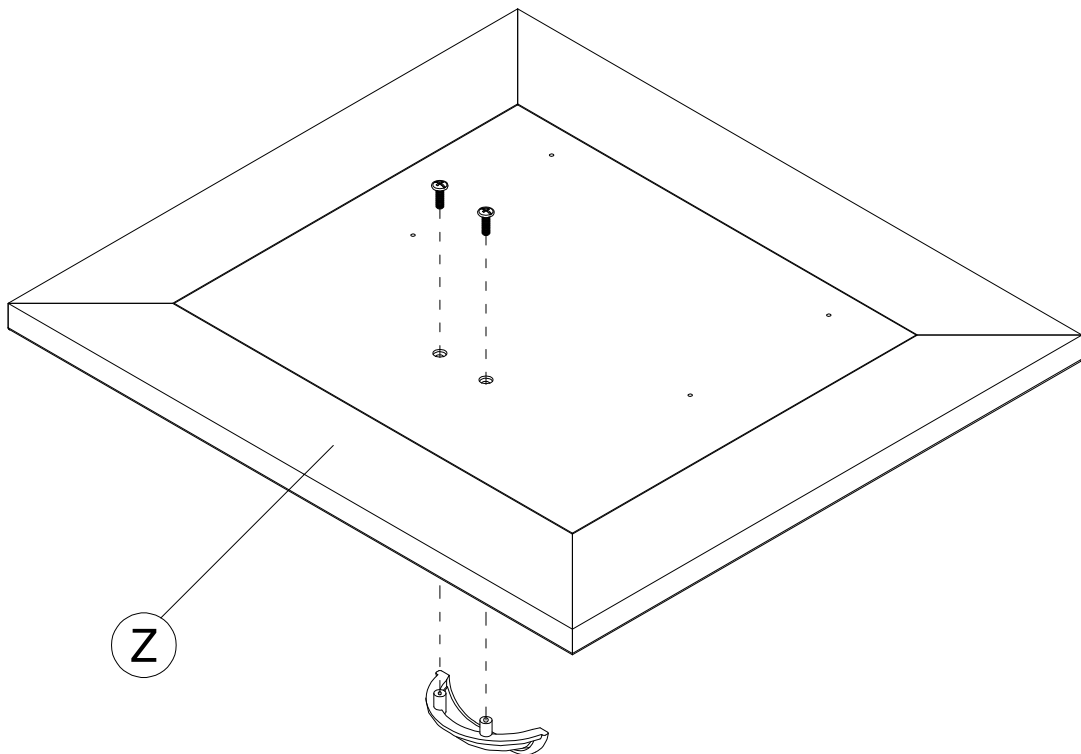
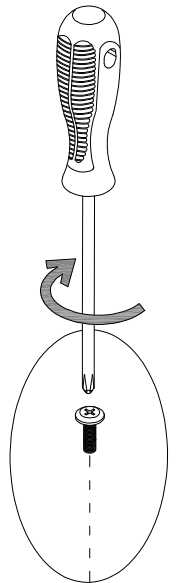
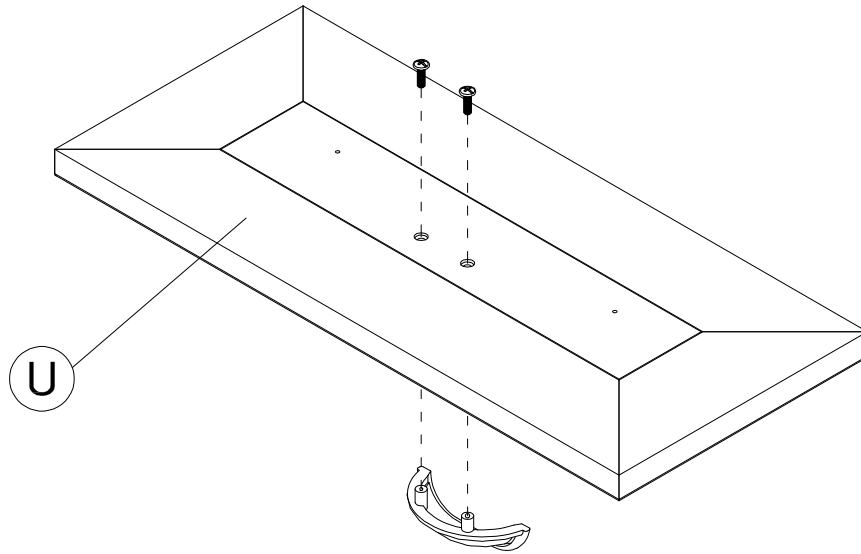
Handle

H160160



[ 4 ]

M4 x 10mm

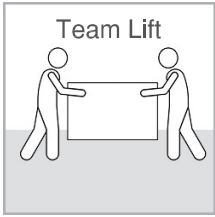


Have an assembly question or need a replacement part? Just call  
**1-800-950-4782**, we are here to help.

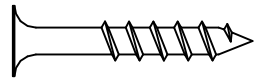
# STEP 2

# Assemble Panels

A159345K

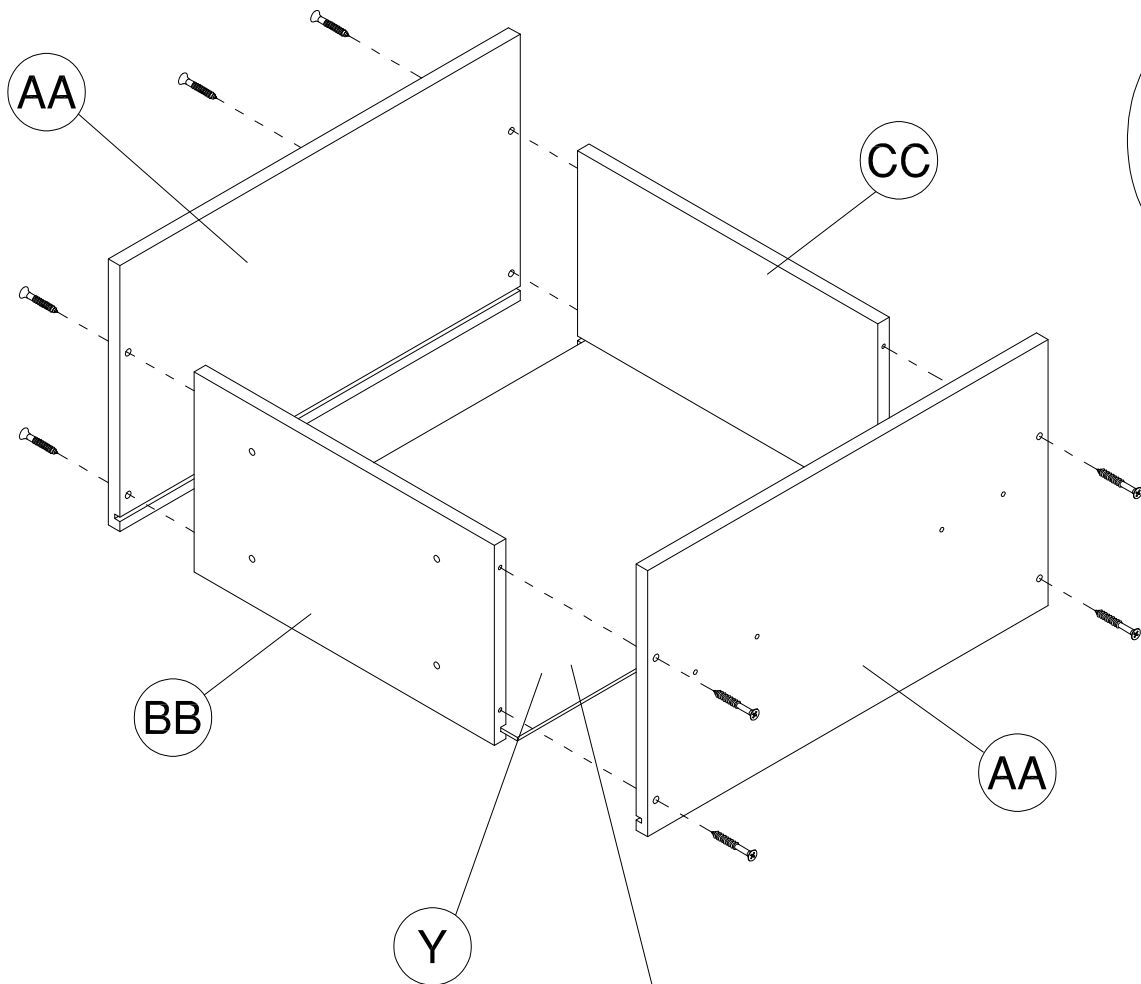
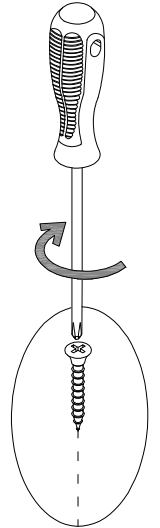


H26053



[ 8 ]

#10 x 1-1/4"



Finished Side  
Lado Terminada  
Cote Fini

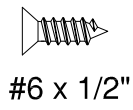
Have an assembly question or need a replacement part? Just call  
**1-800-950-4782**, we are here to help.

# STEP 3

# Install Slide Runners

A159345K

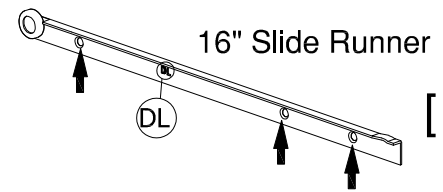
H124395



[ 6 ]

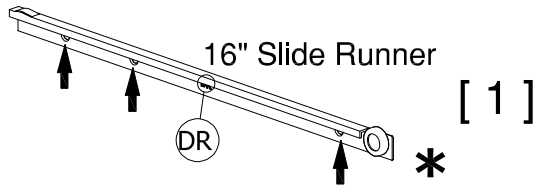
\*

Q89897



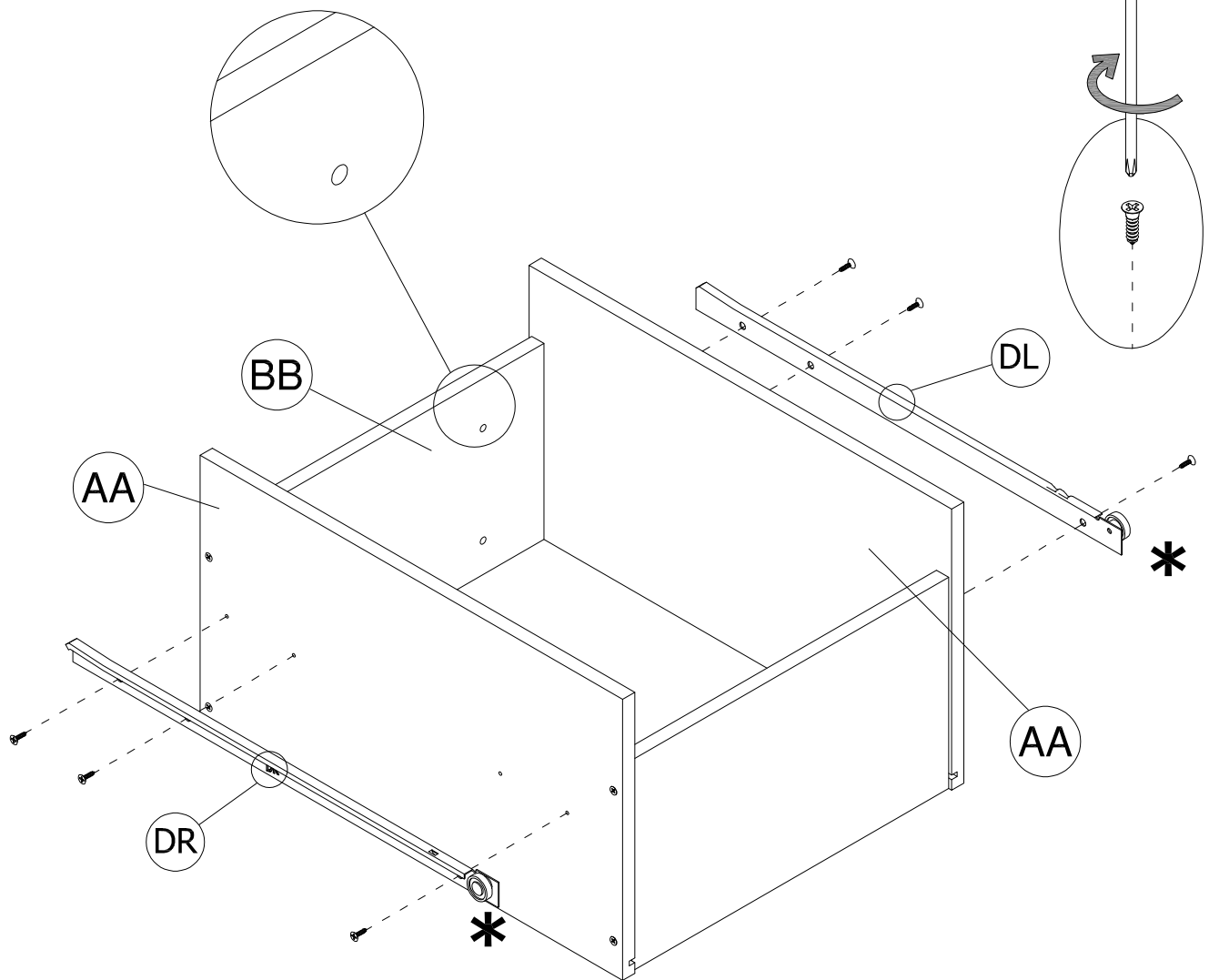
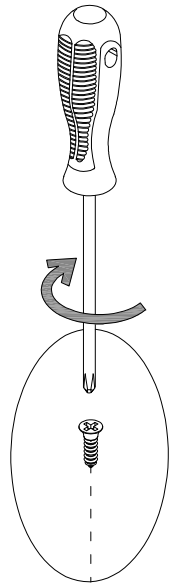
[ 1 ]

Q89897



[ 1 ]

\*

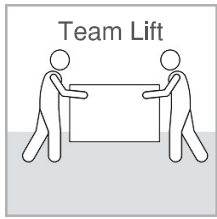


Have an assembly question or need a replacement part? Just call  
**1-800-950-4782**, we are here to help.

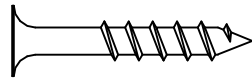
# STEP 4

# Assemble Panels

A159345K

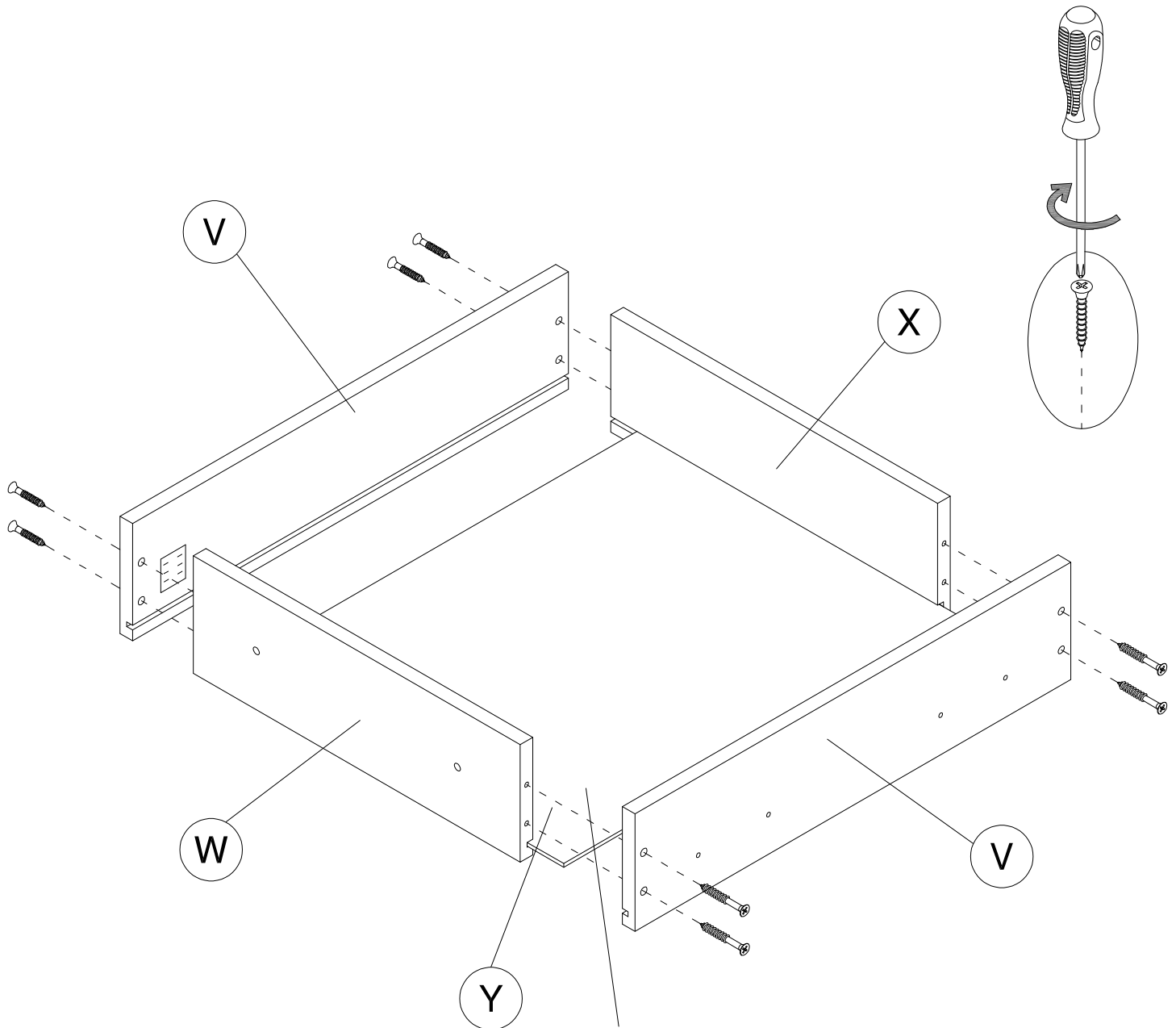


H26053



[ 8 ]

#10 x 1-1/4"



Finished Side  
Lado Terminada  
Cote Fini

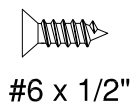
Have an assembly question or need a replacement part? Just call  
**1-800-950-4782**, we are here to help.

# STEP 5

# Install Slide Runners

A159345K

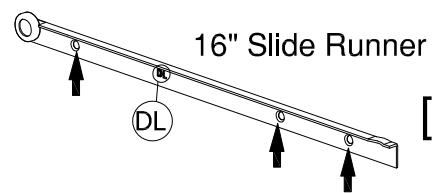
H124395



[ 6 ]

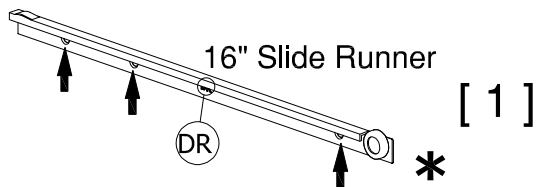
\*

Q89897

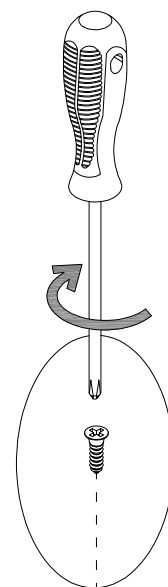
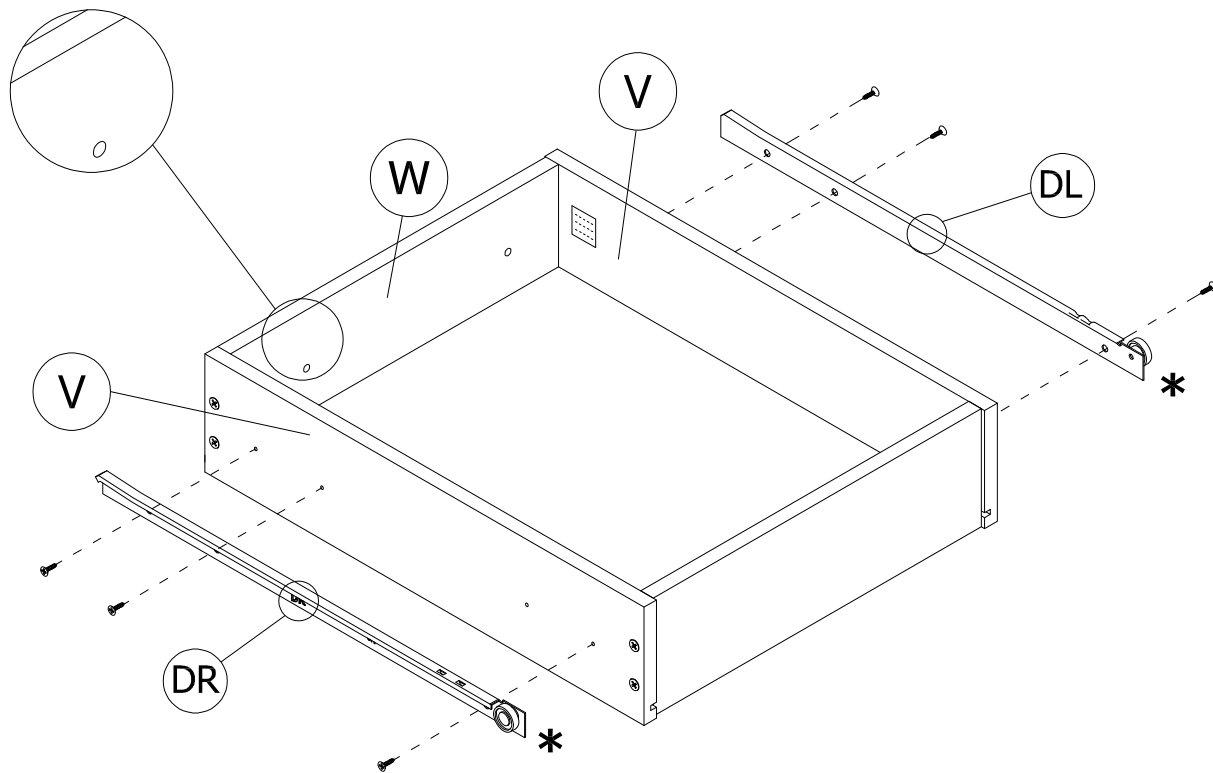


[ 1 ]

Q89897

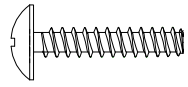


[ 1 ]



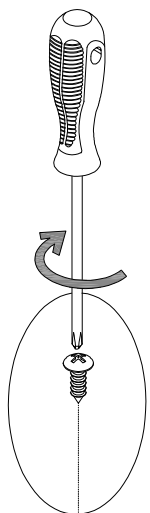
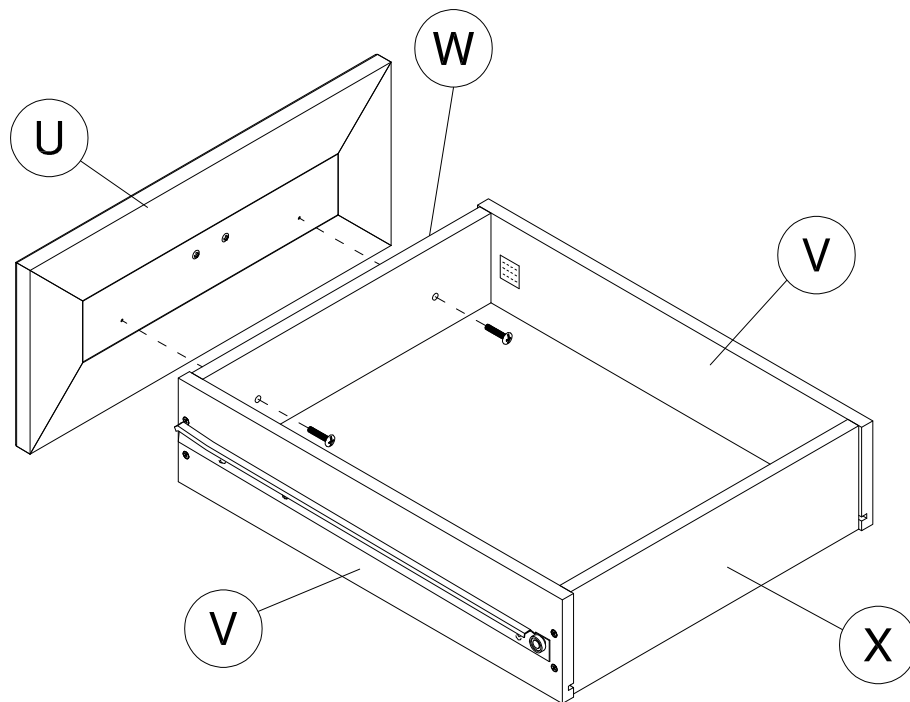
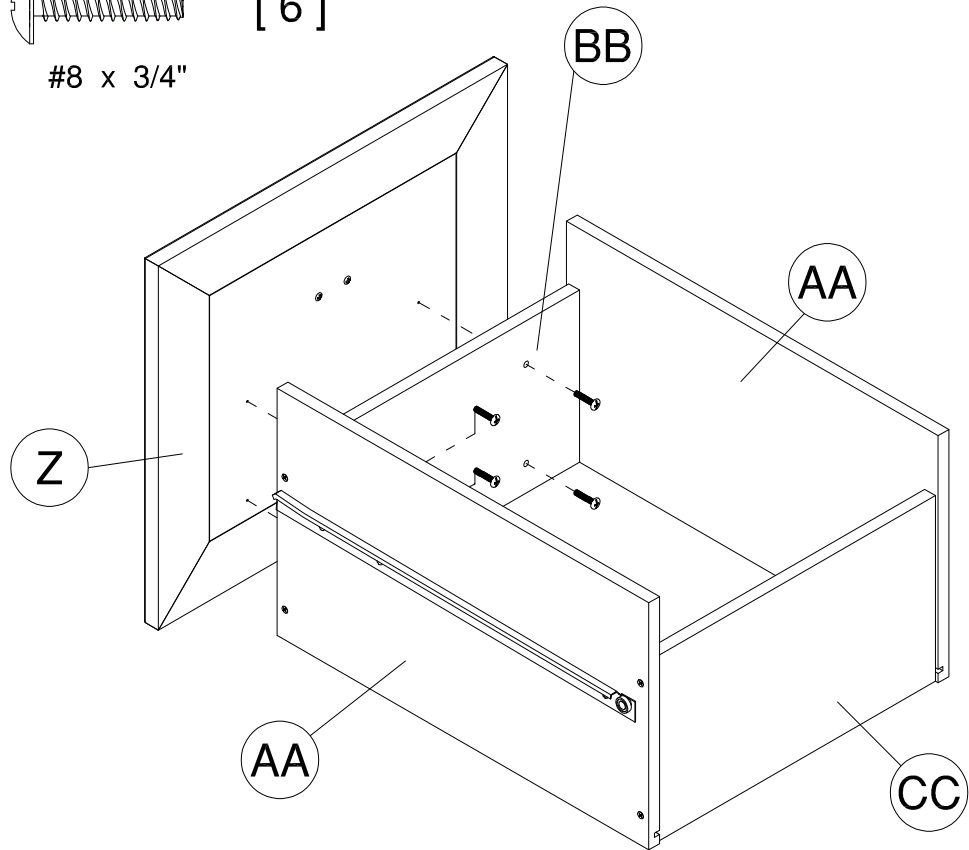
Have an assembly question or need a replacement part? Just call  
**1-800-950-4782**, we are here to help.

H160161



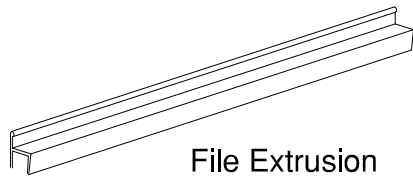
[ 6 ]

#8 x 3/4"



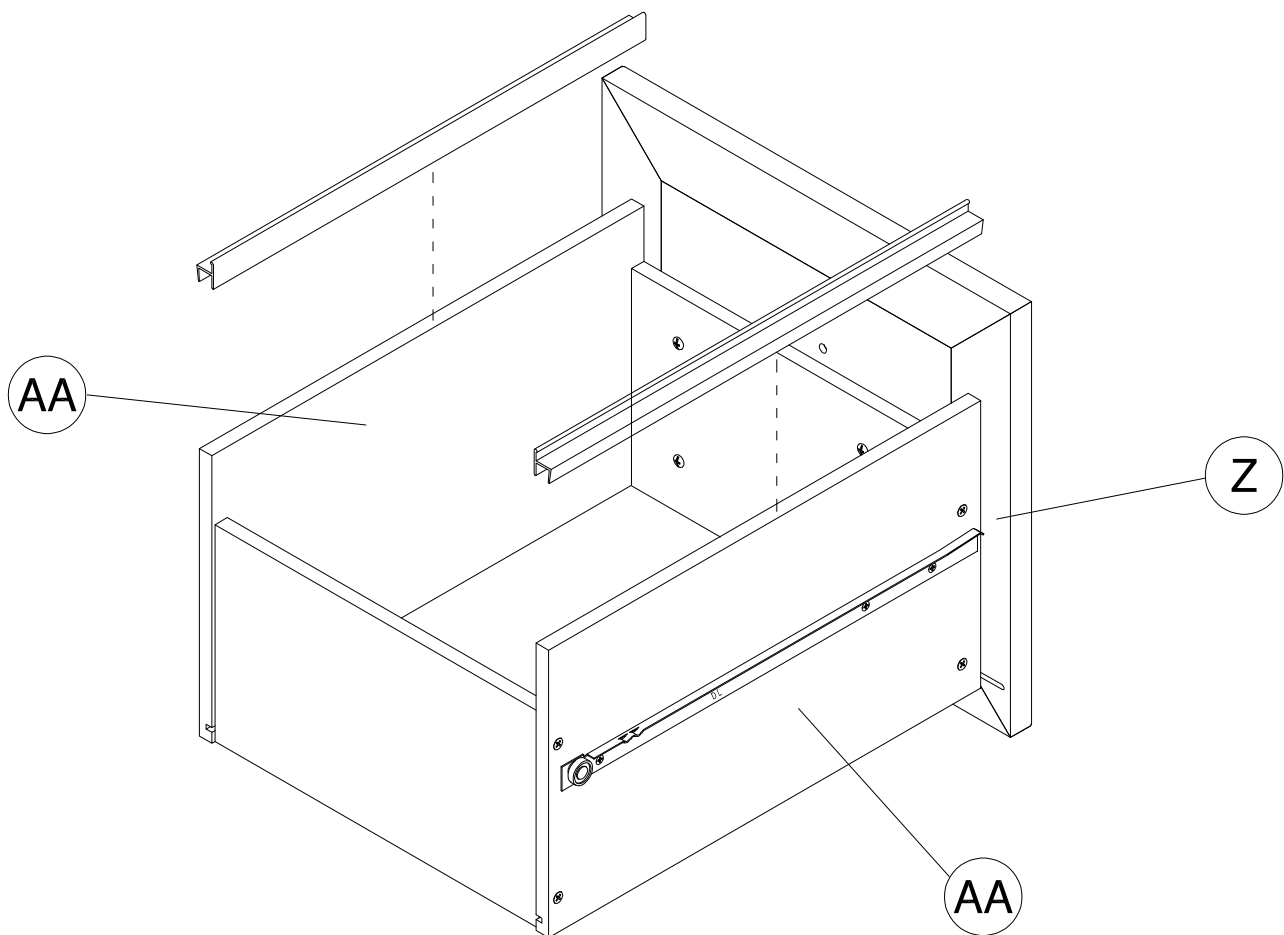
Have an assembly question or need a replacement part? Just call  
**1-800-950-4782**, we are here to help.

H156859



[ 2 ]

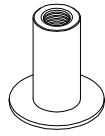
File Extrusion  
16-1/4" (414mm)



Have an assembly question or need a replacement part? Just call  
**1-800-950-4782**, we are here to help.

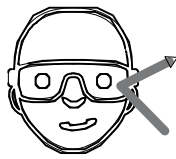


H159343

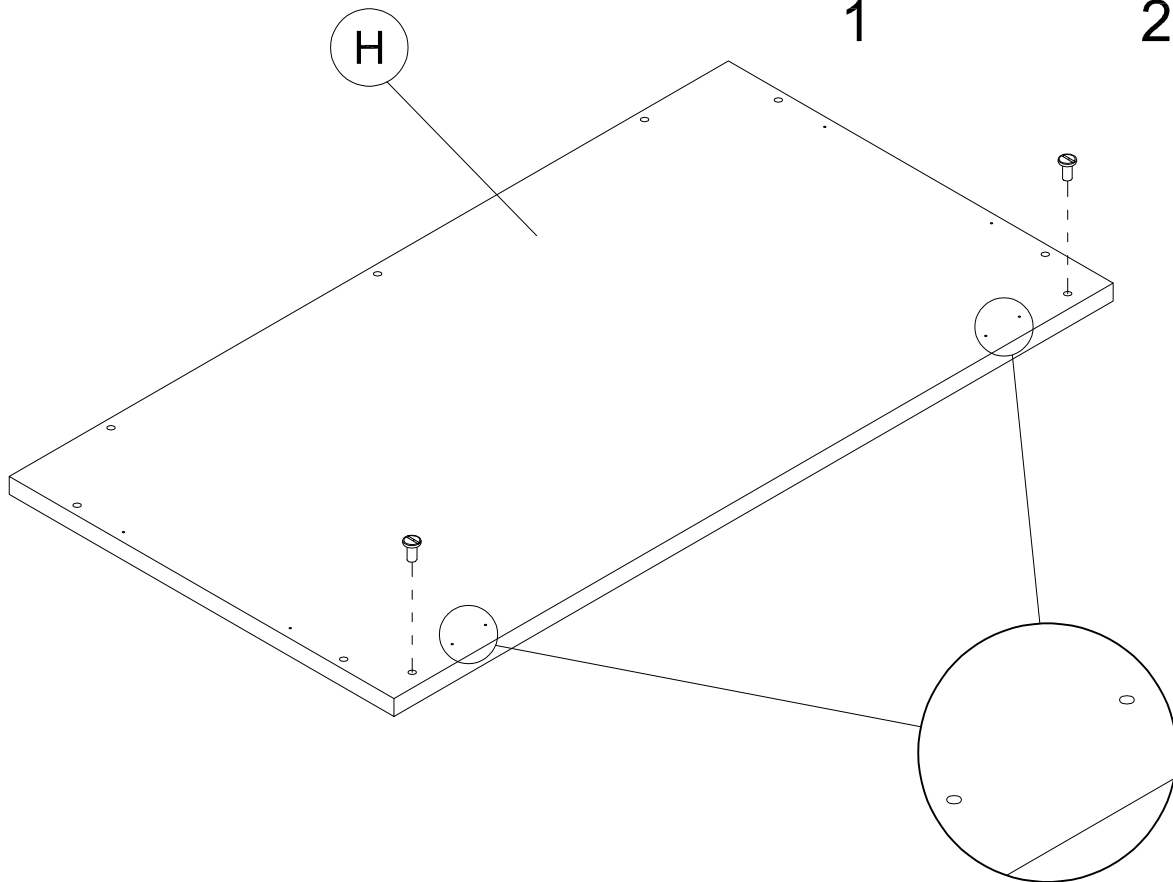
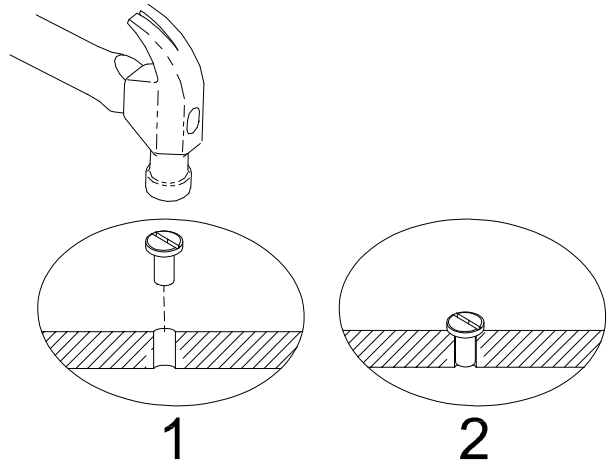


[ 2 ]

Nut 4mm



Safety glasses  
Gafas de seguridad  
Lunettes de protection

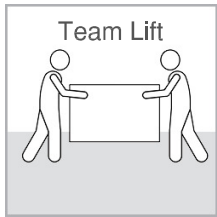


Have an assembly question or need a replacement part? Just call  
**1-800-950-4782**, we are here to help.

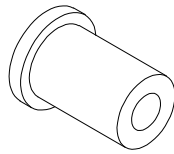
# STEP 9

## Assemble Panels

A159345K



H157984



[ 2 ]

Catch Bolt

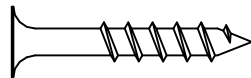
H159344



[ 2 ]

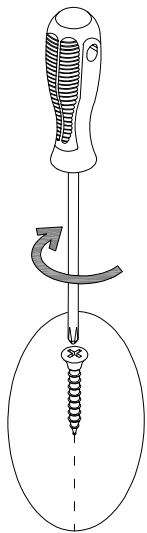
M4 x 19mm

H26053

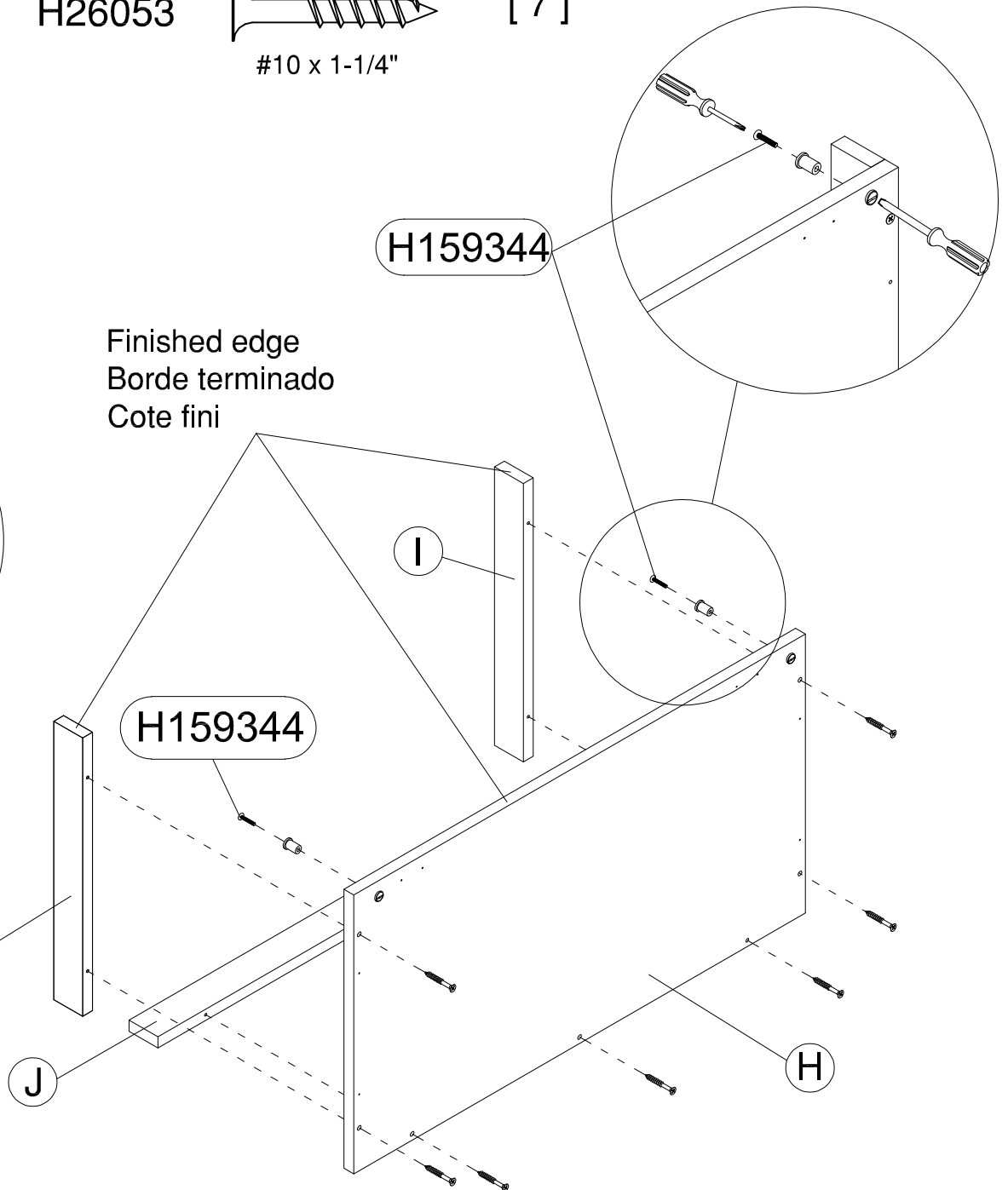


[ 7 ]

#10 x 1-1/4"



Finished edge  
Borde terminado  
Cote fini



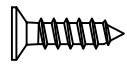
Have an assembly question or need a replacement part? Just call  
**1-800-950-4782**, we are here to help.

# STEP 10

## Prepare Panel

A159345K

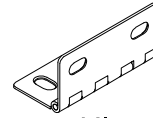
H160159



[ 4 ]

#8 x 9/16"

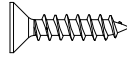
H146934



[ 2 ]

Hinge

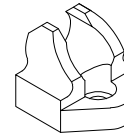
H159316



[ 2 ]

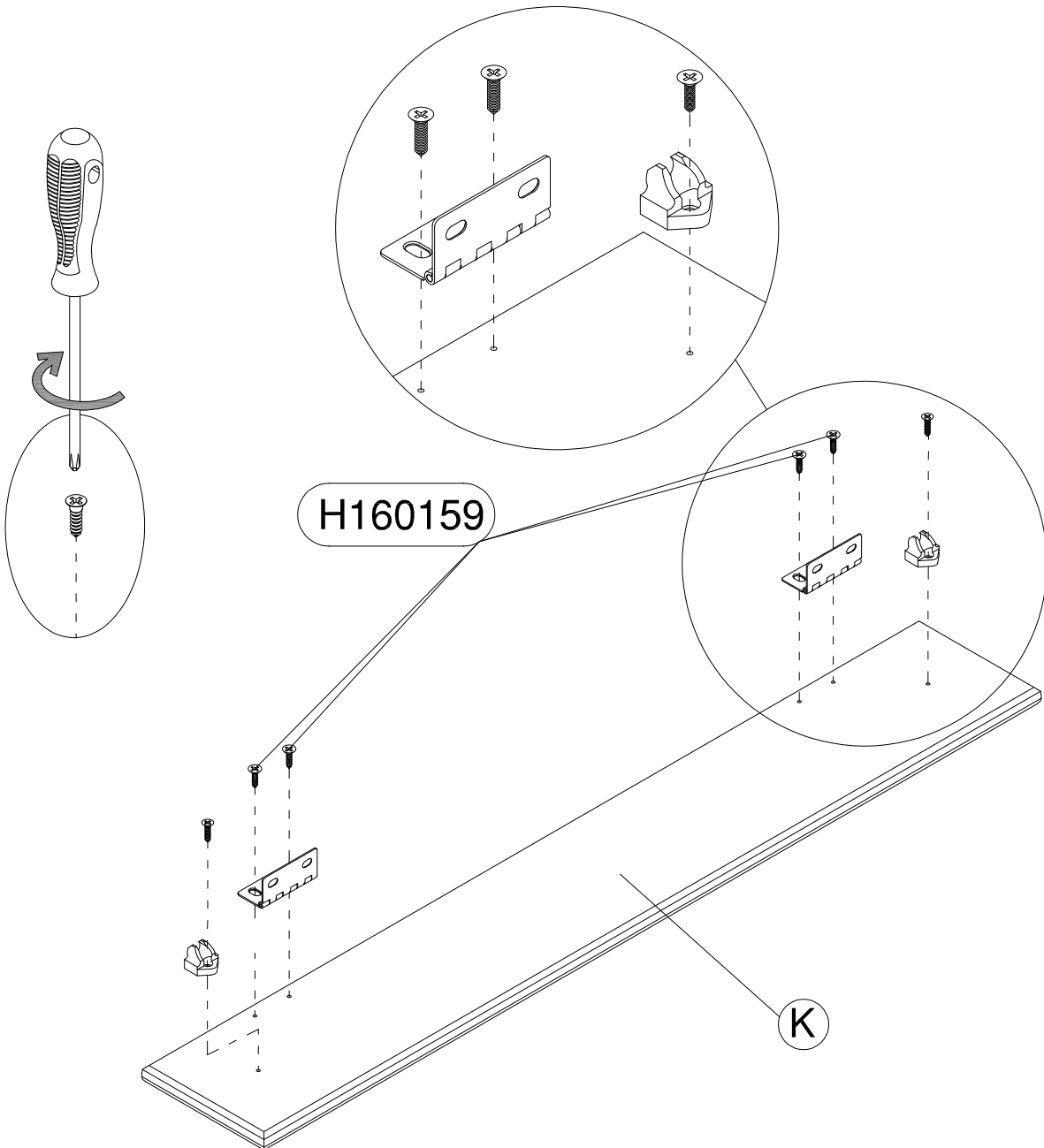
#6 x 5/8"

H157983



[ 2 ]

Catch Base

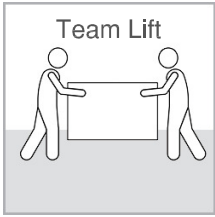


Have an assembly question or need a replacement part? Just call  
**1-800-950-4782**, we are here to help.

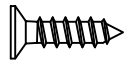
# STEP 11

## Assemble Panels

A159345K

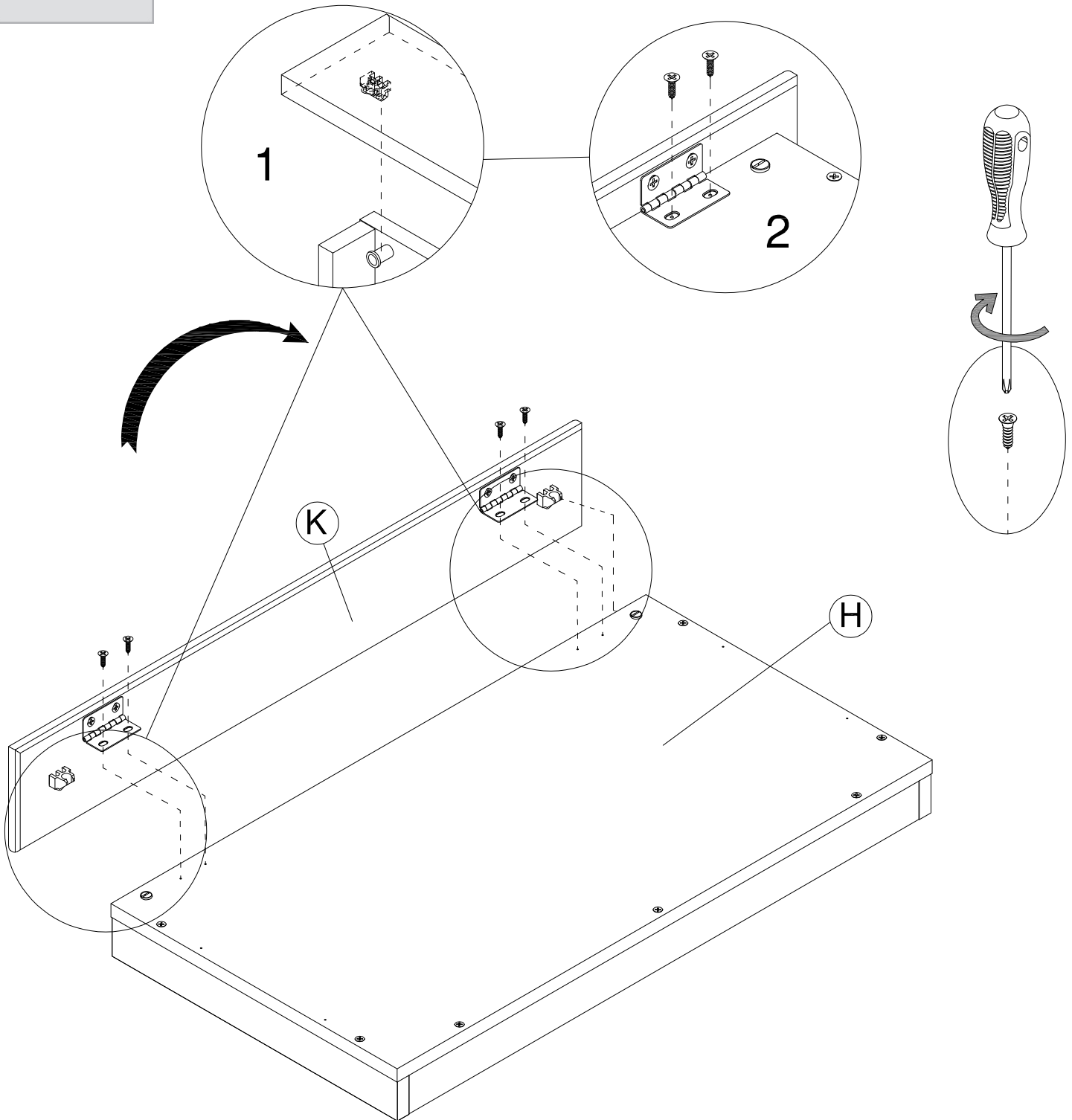


H160159



[ 4 ]

#8 x 9/16"



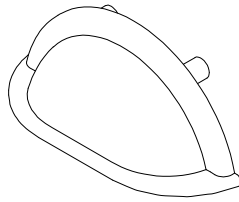
Have an assembly question or need a replacement part? Just call  
**1-800-950-4782**, we are here to help.

# STEP 12

# Prepare Door

A159345K

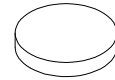
H148802



[ 1 ]

Handle

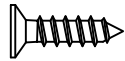
H158082



[ 2 ]

Bumper

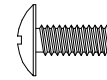
H160159



[ 4 ]

#8 x 9/16"

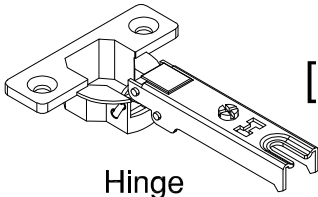
H160160



[ 2 ]

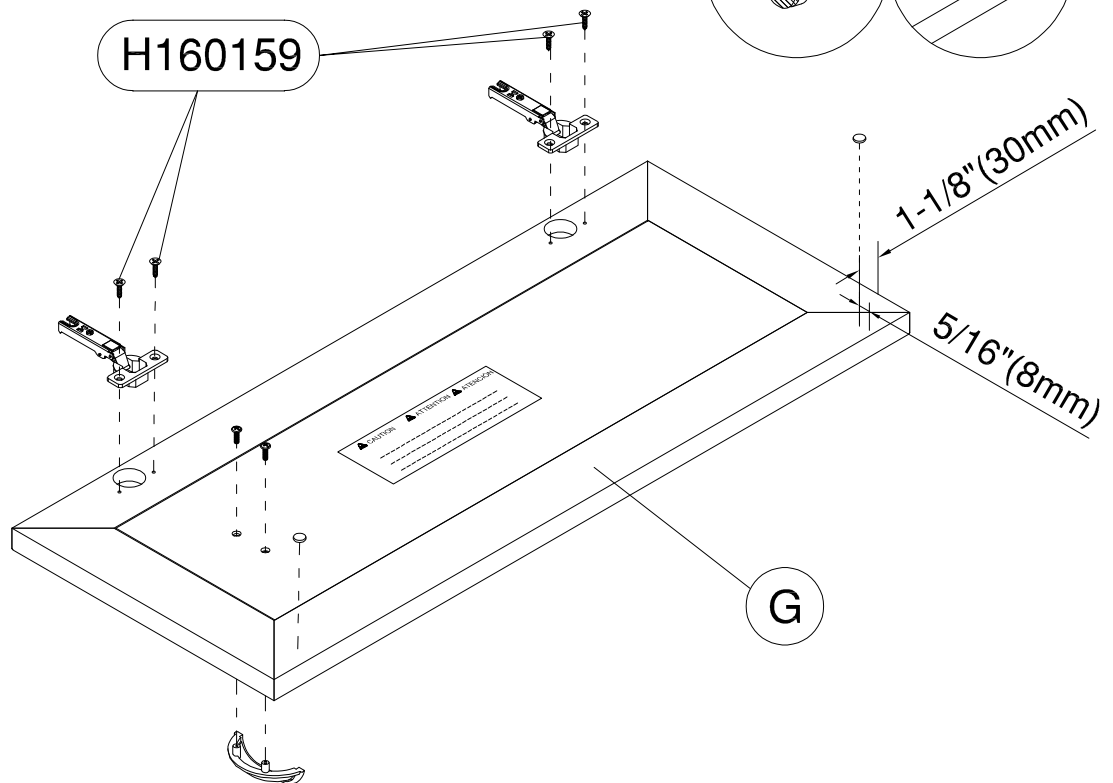
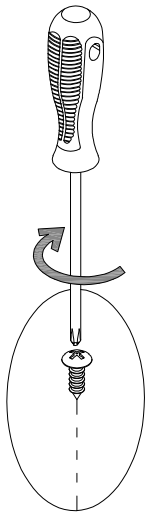
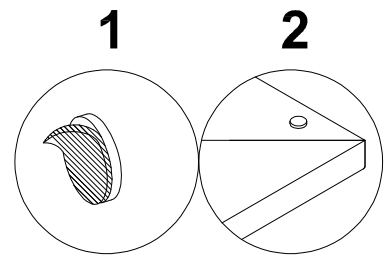
M4 x 10mm

H160163



[ 2 ]

Hinge



## CAUTION

Electronic equipment may overheat causing damage. Do Not store electronic equipment behind doors.



## ATTENTION

El equipo electrónico puede sobrecalentarse y causar daños. No almacene equipos electrónicos detrás de las puertas.



## ATENCIÓN

L'équipement électronique peut surchauffer et causer des dommages. Ne stockez pas d'équipement électronique derrière des portes.

C190252

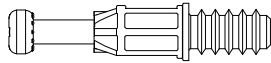
Have an assembly question or need a replacement part? Just call  
**1-800-950-4782**, we are here to help.

# STEP 13

# Prepare Panels

A159345K

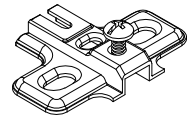
H72988



[ 2 ]

KD Bolt

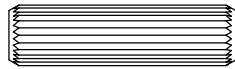
H160164



[ 2 ]

Mounting Plate

H38169



[ 6 ]

Wood Dowel  
8 x 30mm

H160159



[ 4 ]

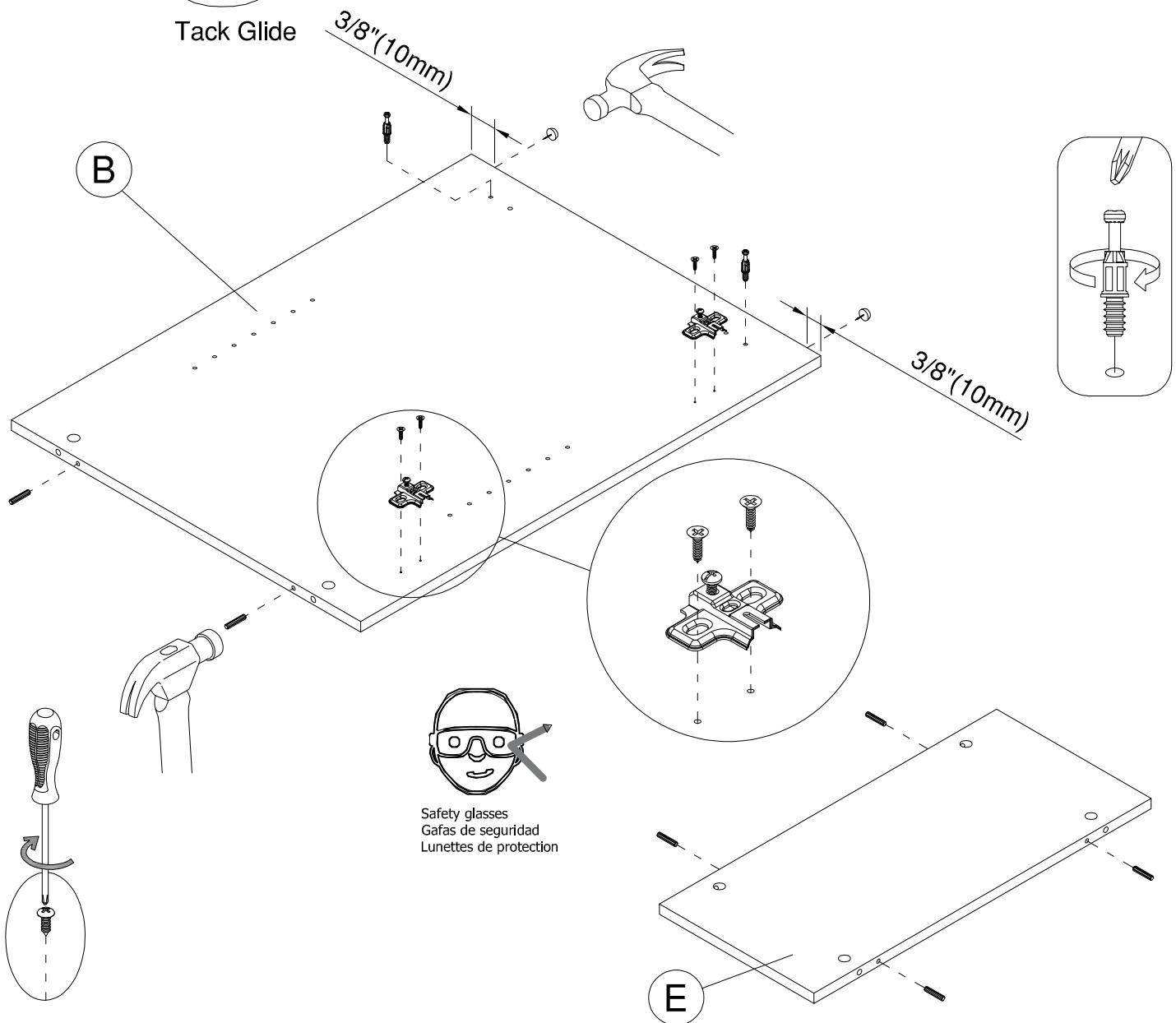
#8 x 9/16"

H20385



[ 2 ]

Tack Glide



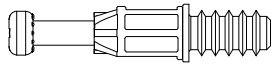
Have an assembly question or need a replacement part? Just call  
**1-800-950-4782**, we are here to help.

# STEP 14

# Prepare Panel

A159345K

H72988



[ 4 ]

KD Bolt

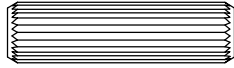
H20385



[ 2 ]

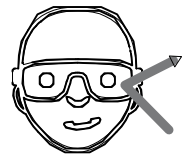
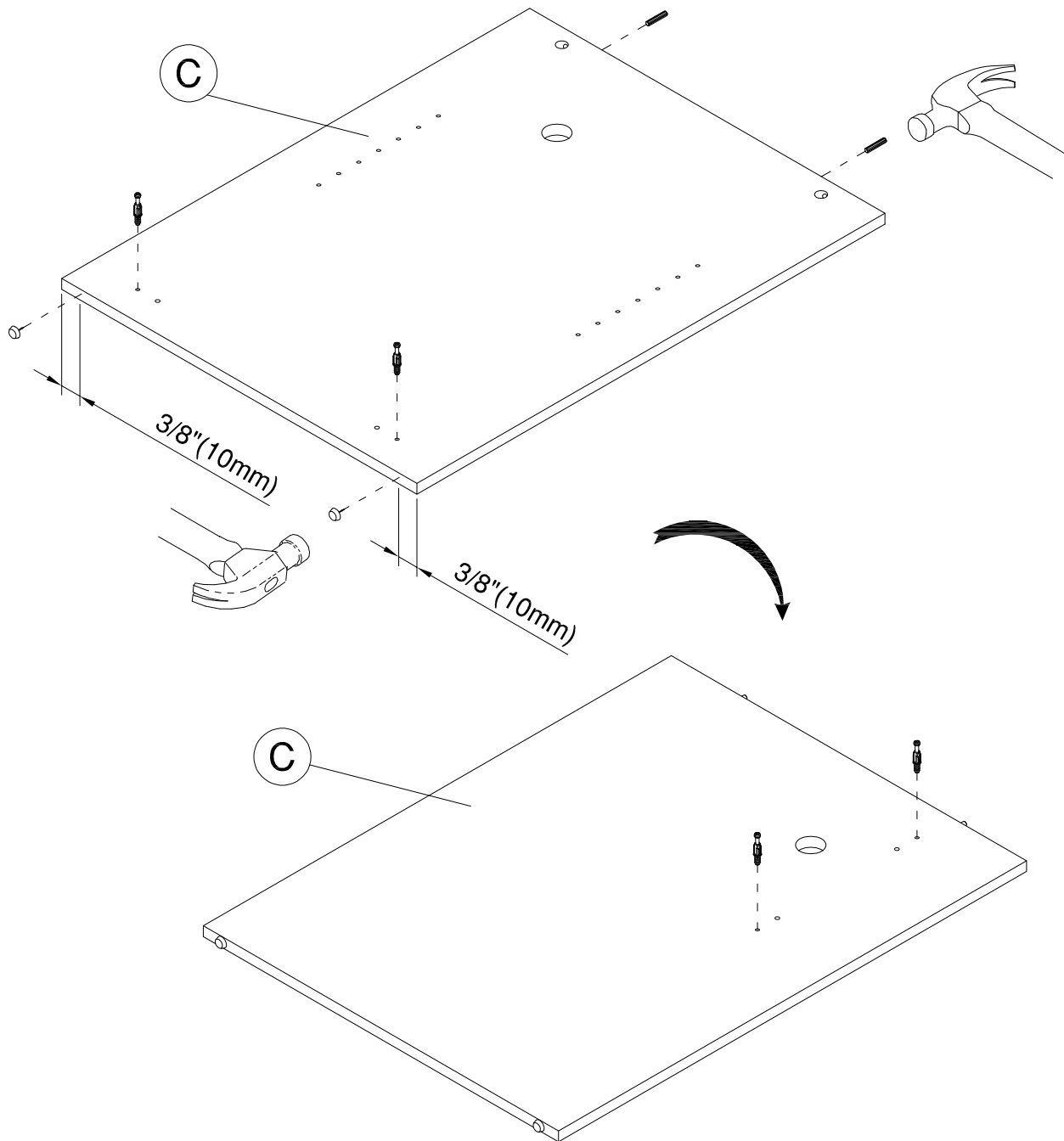
Tack Glide

H38169

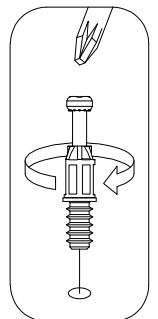


[ 2 ]

Wood Dowel  
8 x 30mm



Safety glasses  
Gafas de seguridad  
Lunettes de protection



Have an assembly question or need a replacement part? Just call  
**1-800-950-4782**, we are here to help.

# STEP 15

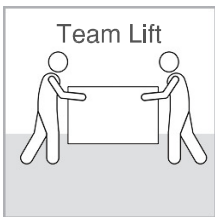
## Assemble Panels

A159345K

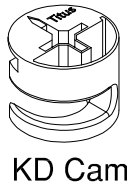
Scan QR Code to  
Watch Video on:



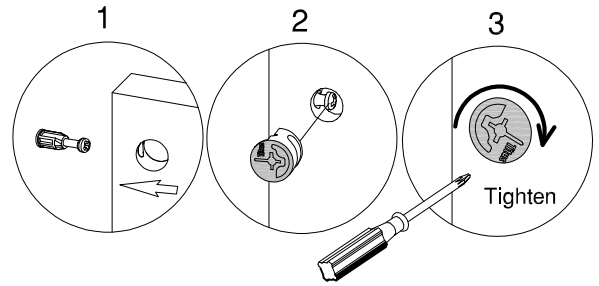
How to Tighten  
KD Cams



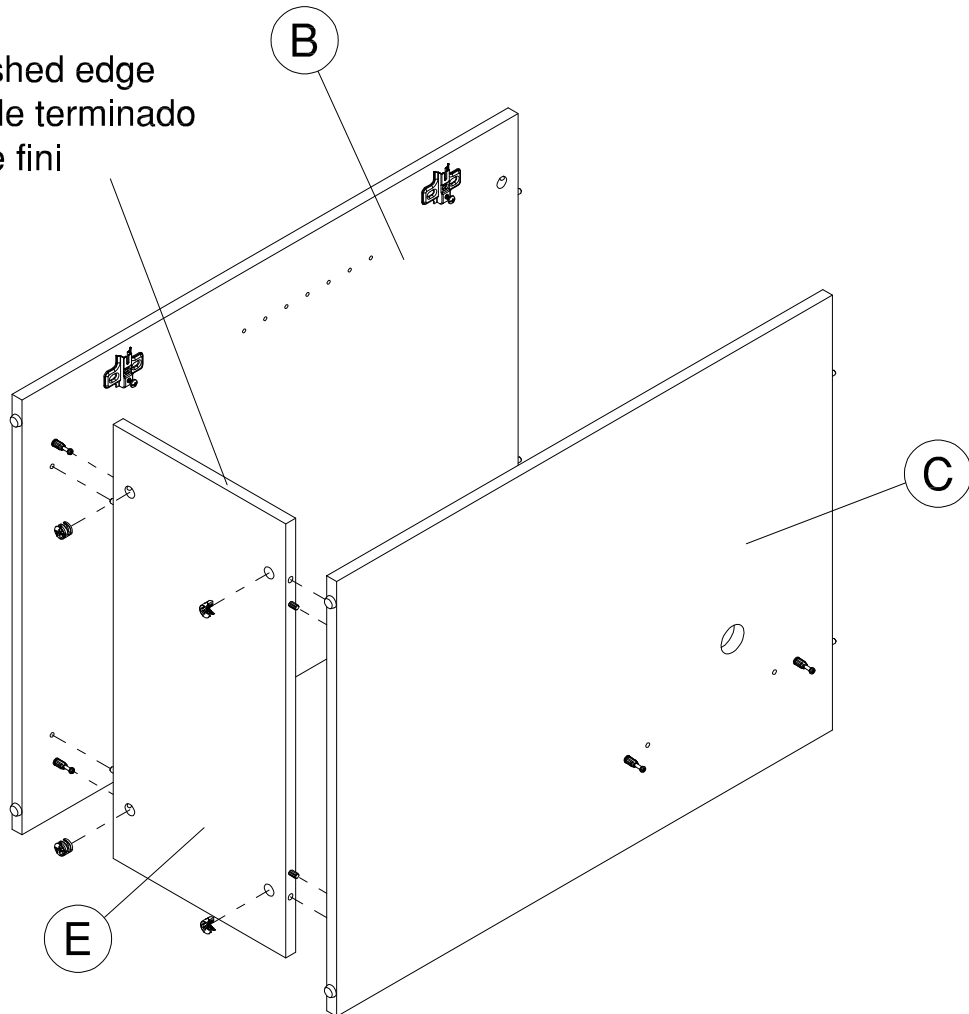
H181468



[ 4 ]

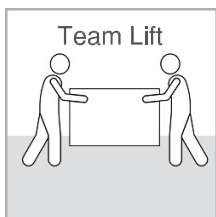



Finished edge  
Borde terminado  
Cote fini

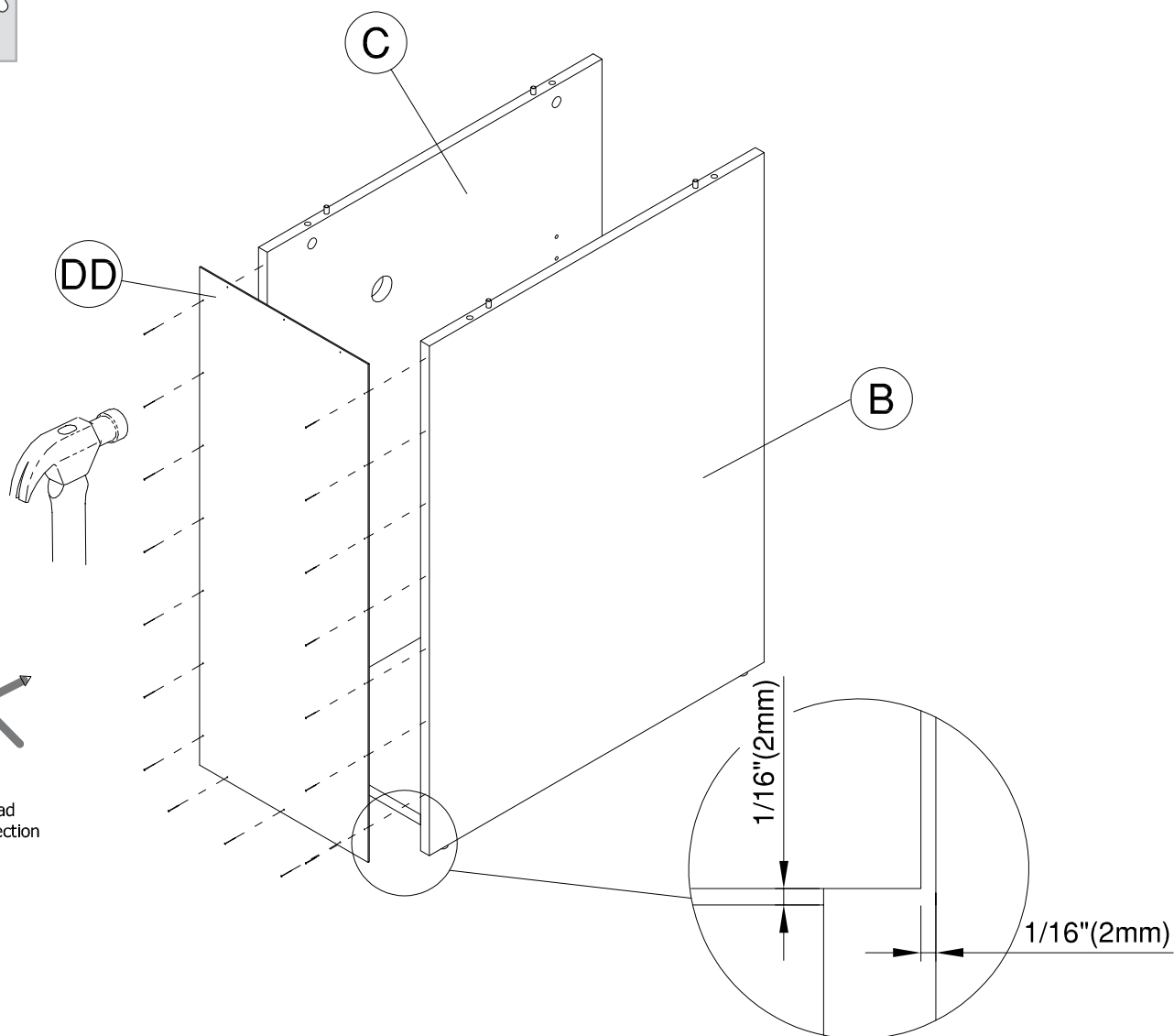


Have an assembly question or need a replacement part? Just call  
**1-800-950-4782**, we are here to help.





 [ 17 ]  
#3 x 3/4"



**WARNING**

Failure to install every indicated nail and/or screw could lead to excessive shelf sagging or product collapse resulting in serious injury or death.

Si no se instalan todos los clavos y / o tornillos indicados, se podría producir un hundimiento excesivo del estante o el colapso del producto, lo que podría provocar lesiones graves o la muerte.

Le fait de ne pas installer chaque clou et / ou vis indiqué pourrait entraîner un affaissement excessif de l'étagère ou un effondrement du produit, entraînant des blessures graves, voire mortelles.

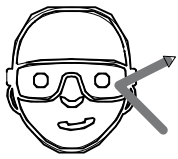
Have an assembly question or need a replacement part? Just call **1-800-950-4782**, we are here to help.

H38169

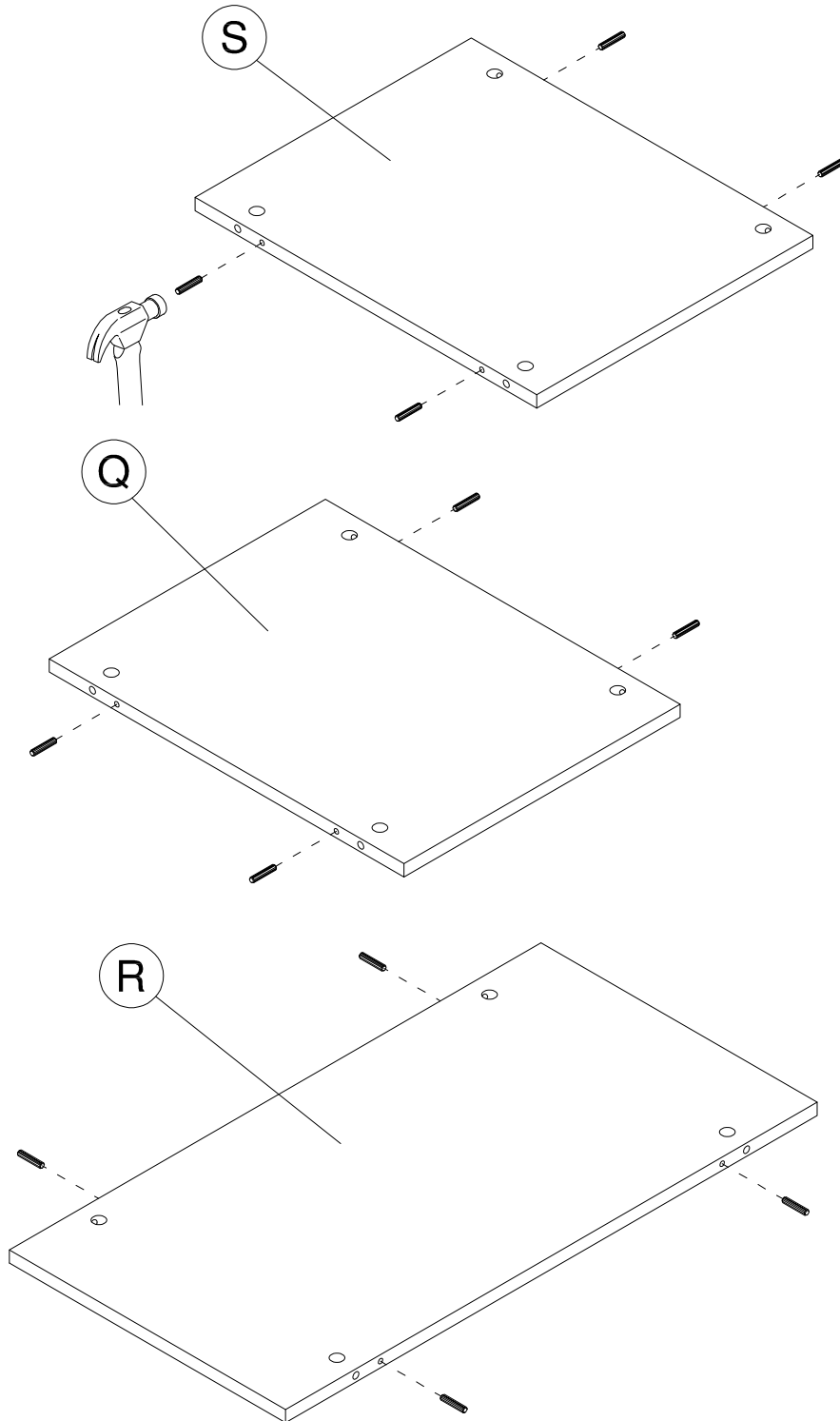


[ 12 ]

Wood Dowel  
8 x 30mm



Safety glasses  
Gafas de seguridad  
Lunettes de protection



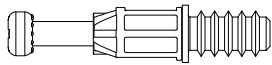
Have an assembly question or need a replacement part? Just call  
**1-800-950-4782**, we are here to help.

# STEP 18

# Prepare Panel

A159345K

H72988



[ 6 ]

KD Bolt

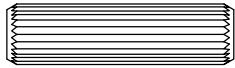
H20385



[ 2 ]

Tack Glide

H38169



[ 2 ]

Wood Dowel  
8 x 30mm

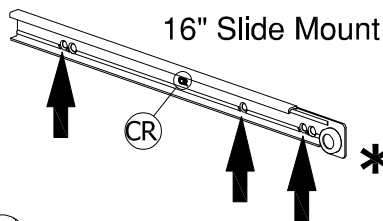
H124395



[ 6 ]

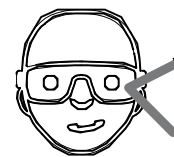
#6 x 1/2"

Q89897

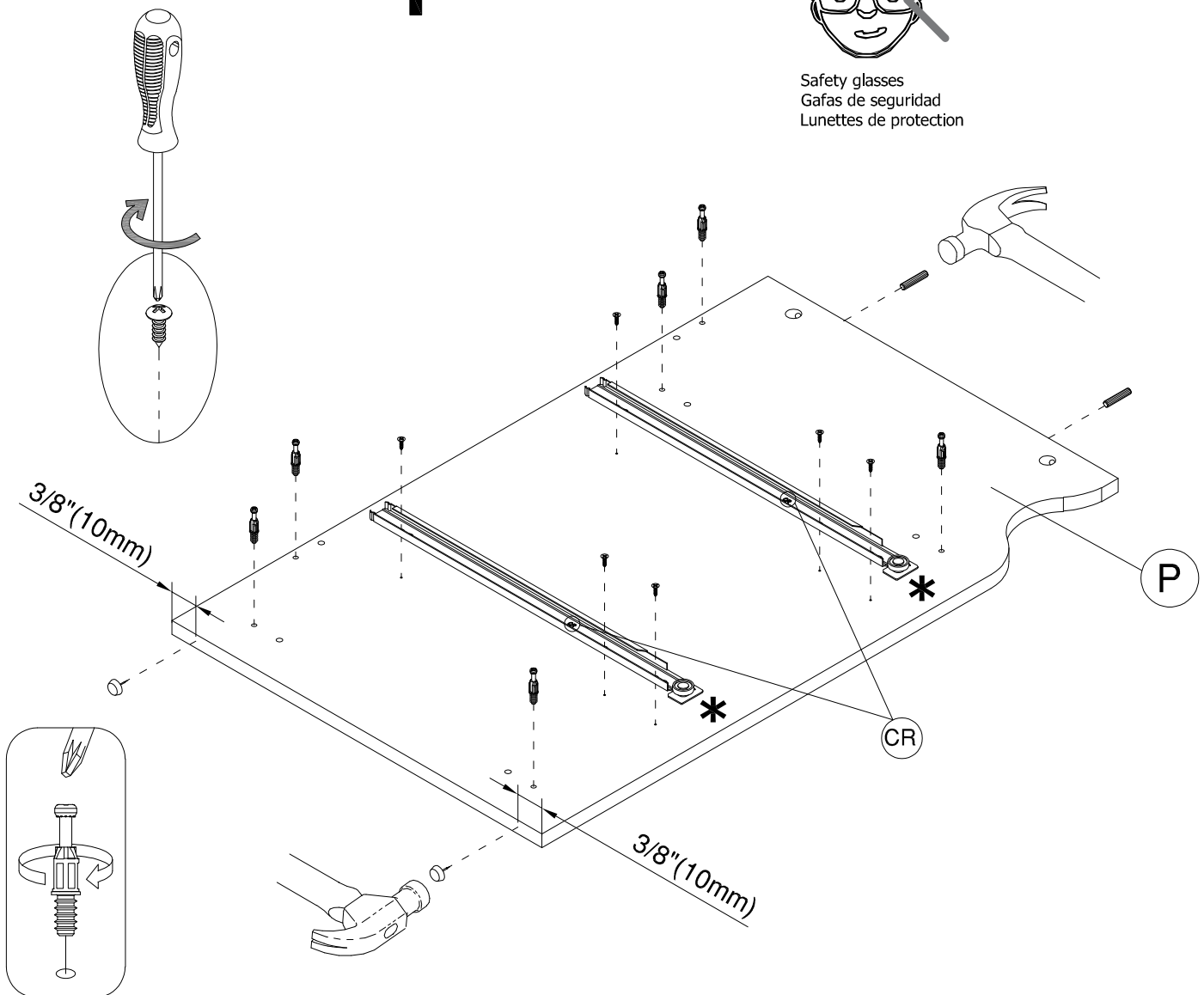


16" Slide Mount

[ 2 ]



Safety glasses  
Gafas de seguridad  
Lunettes de protection



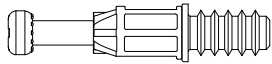
Have an assembly question or need a replacement part? Just call  
**1-800-950-4782**, we are here to help.

# STEP 19

# Prepare Panel

A159345K

H72988



[ 6 ]

KD Bolt

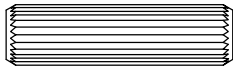
H20385



[ 2 ]

Tack Glide

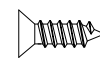
H38169



[ 2 ]

Wood Dowel  
8 x 30mm

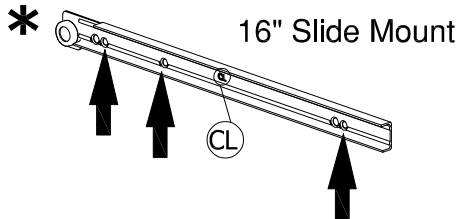
H124395



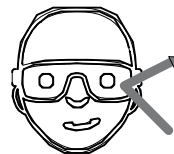
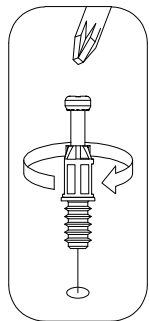
[ 6 ]

#6 x 1/2"

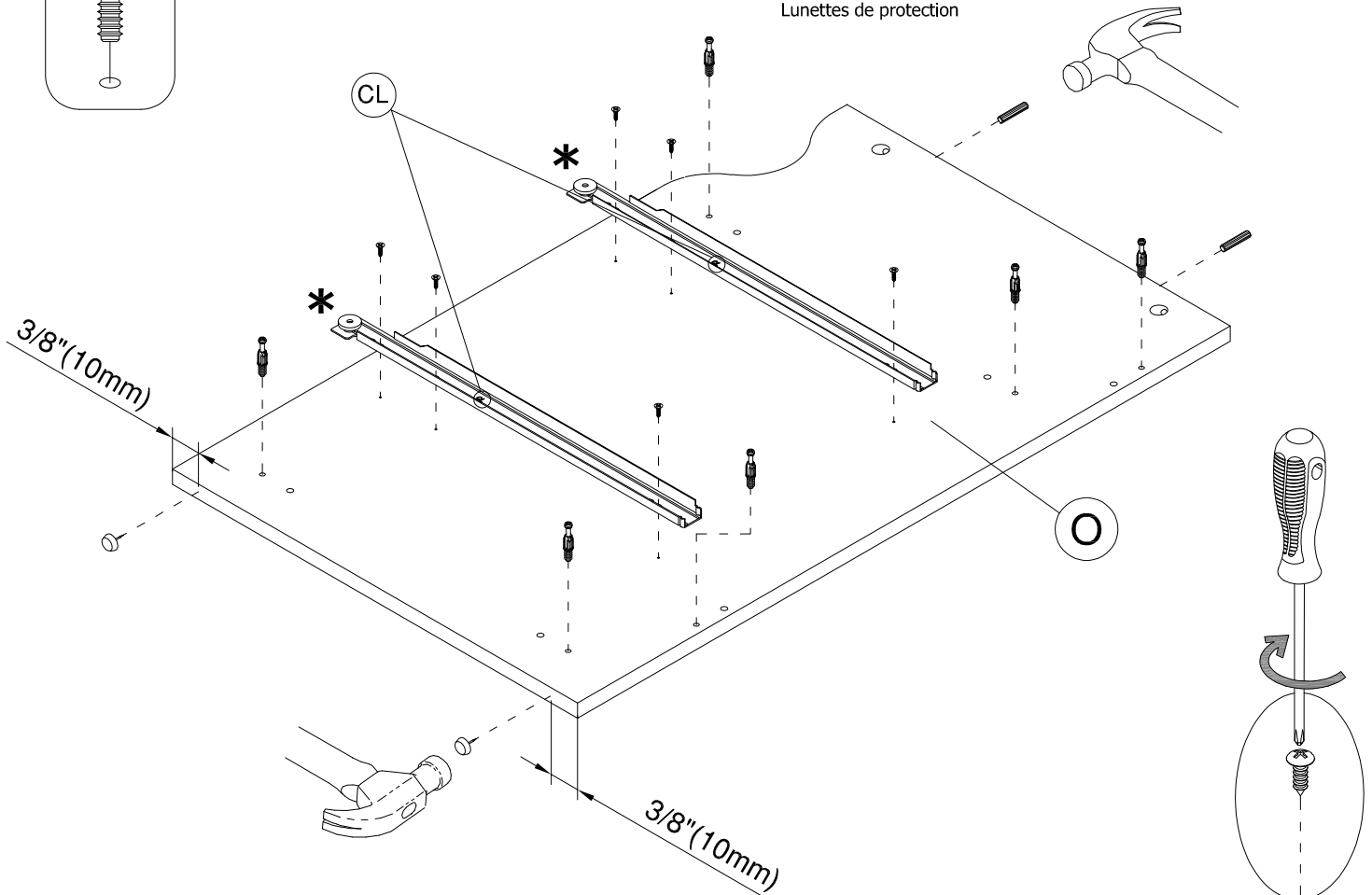
Q89897



[ 2 ]



Safety glasses  
Gafas de seguridad  
Lunettes de protection



Have an assembly question or need a replacement part? Just call  
**1-800-950-4782**, we are here to help.

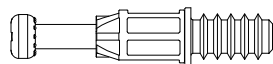
# STEP 20

## Prepare Panel

A159345K



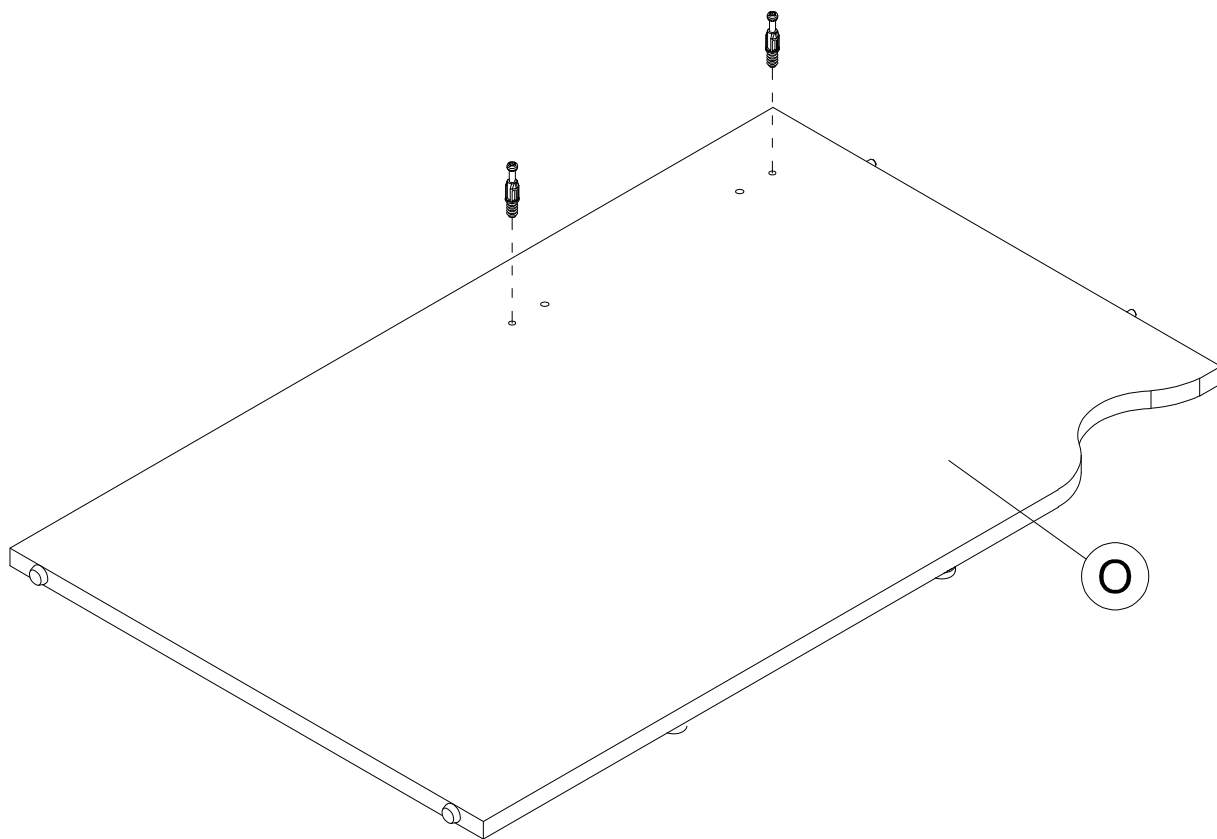
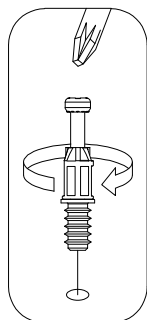
H72988



[ 2 ]

KD Bolt

Flip O part over  
Voltear O parte sobre  
Retourner la partie O



Have an assembly question or need a replacement part? Just call  
**1-800-950-4782**, we are here to help.

# STEP 21

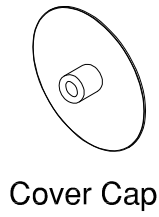
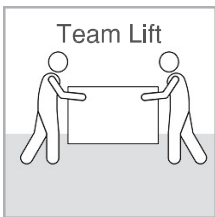
## Assemble Panels

A159345K

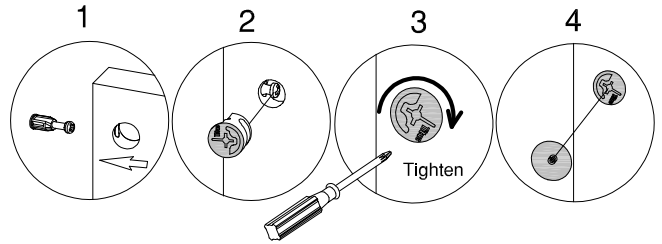
Scan QR Code to  
Watch Video on:



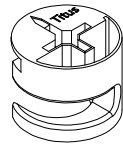
How to Tighten  
KD Cams



[ 1 ]

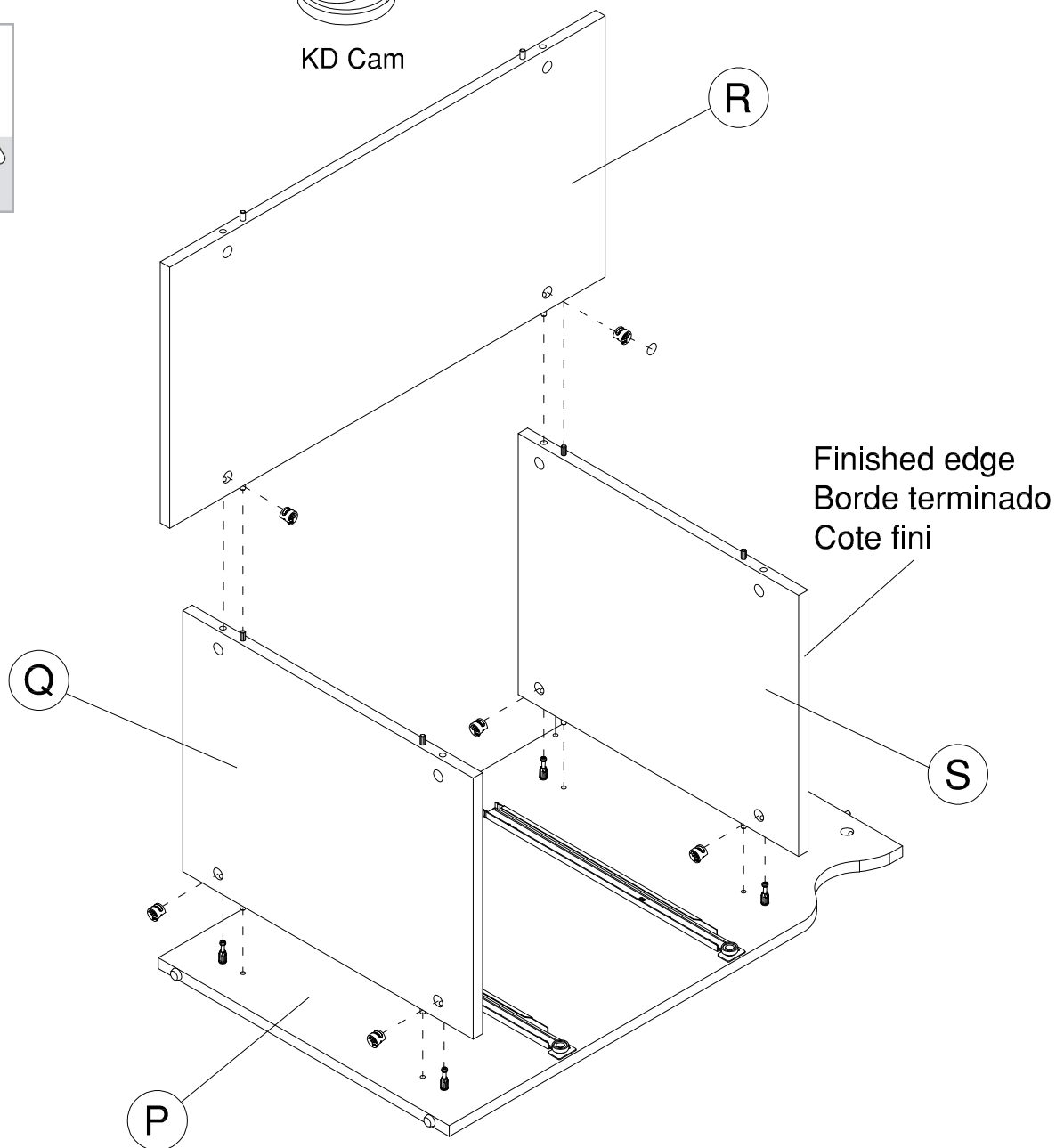


H181468



[ 6 ]

KD Cam



Have an assembly question or need a replacement part? Just call  
**1-800-950-4782**, we are here to help.

# STEP 22

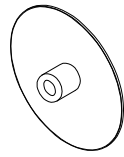
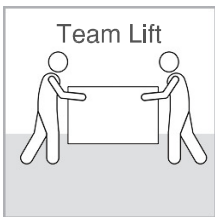
## Assemble Panels

A159345K

Scan QR Code to Watch Video on:

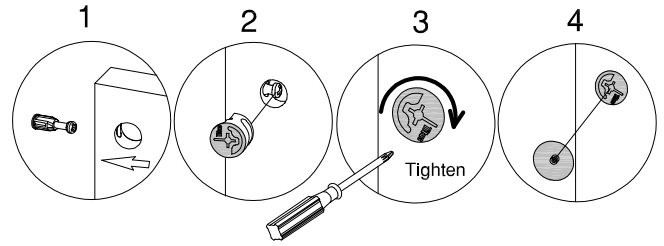


How to Tighten KD Cams

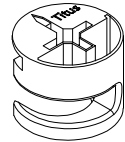


Cover Cap

[ 1 ]

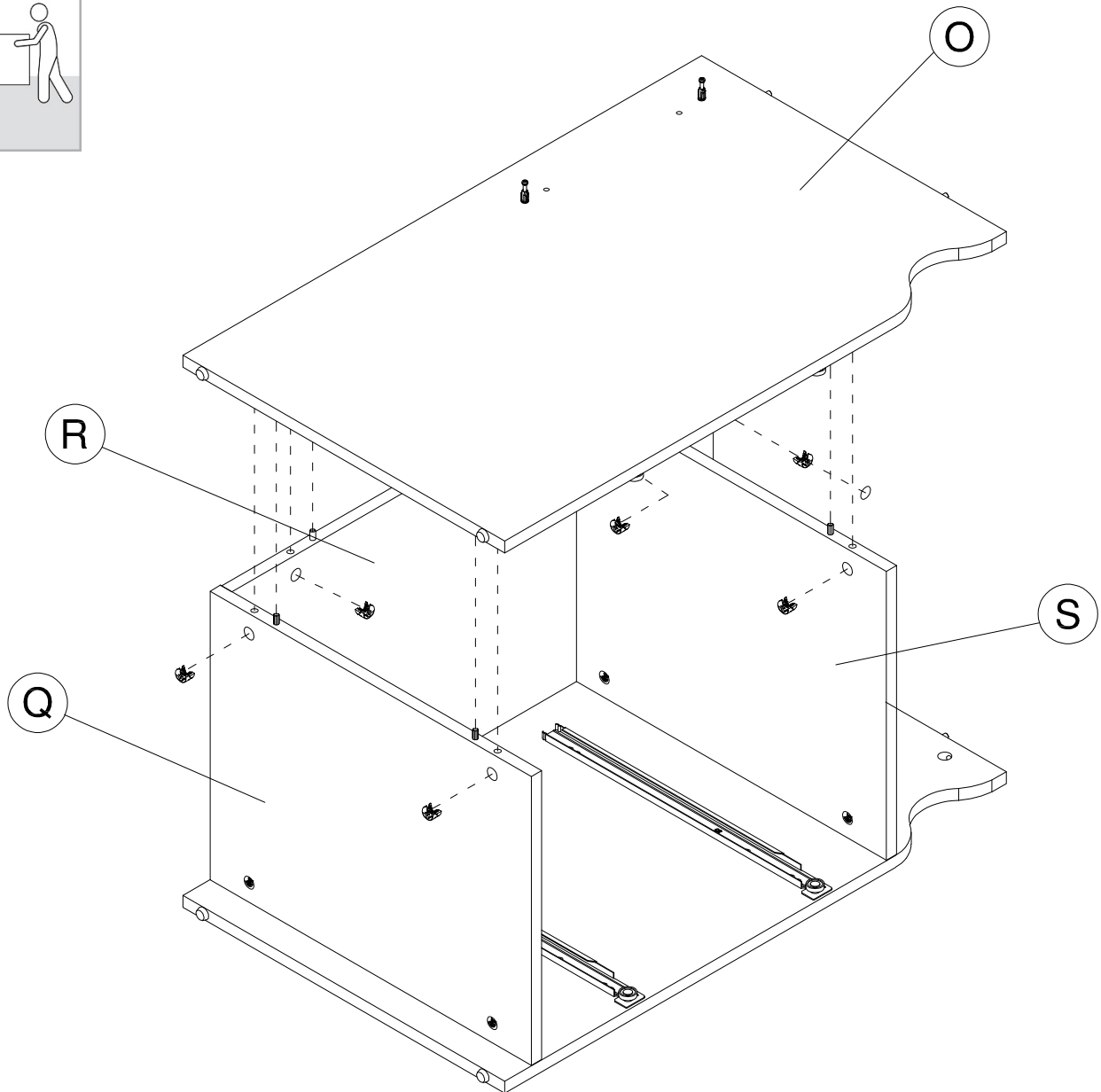


H181468



KD Cam

[ 6 ]



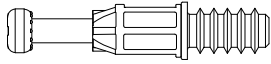
Have an assembly question or need a replacement part? Just call **1-800-950-4782**, we are here to help.

# STEP 23

## Prepare Panels

A159345K

H72988



[ 3 ]

KD Bolt

H38169



[ 2 ]

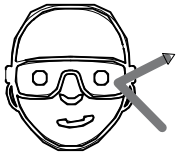
Wood Dowel  
8 x 30mm

H20385

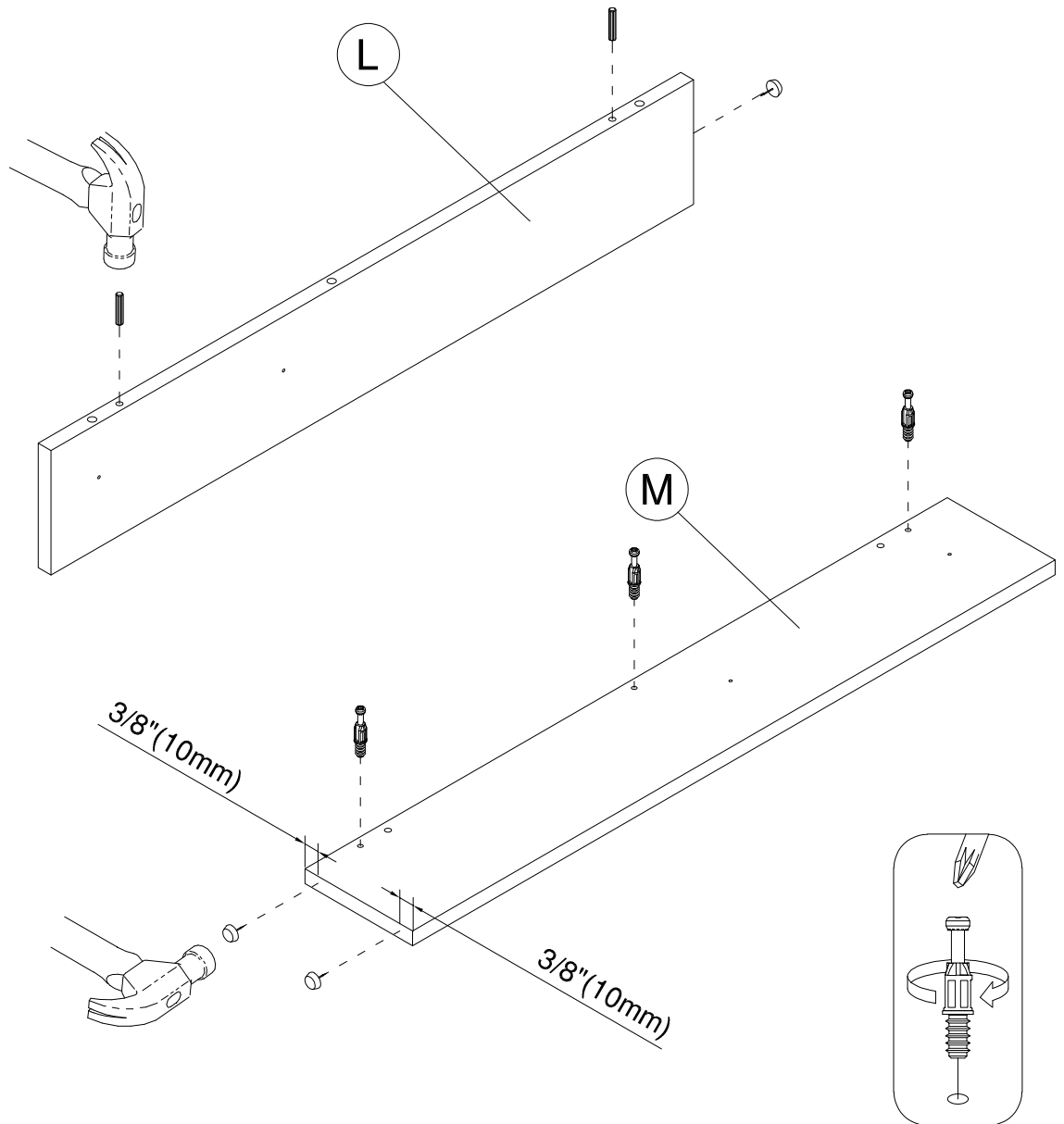


[ 3 ]

Tack Glide



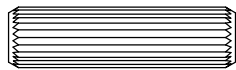
Safety glasses  
Gafas de seguridad  
Lunettes de protection



Have an assembly question or need a replacement part? Just call  
**1-800-950-4782**, we are here to help.

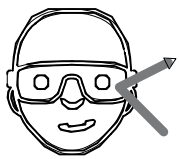


H38169

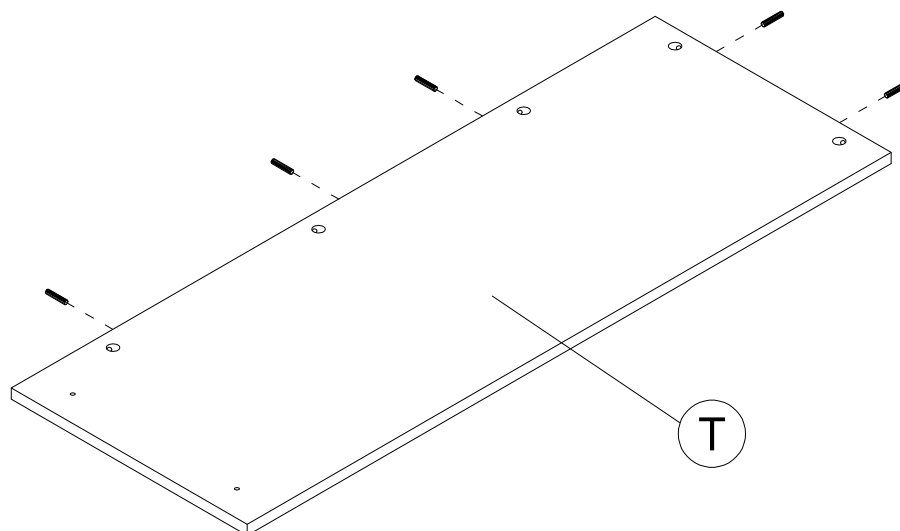
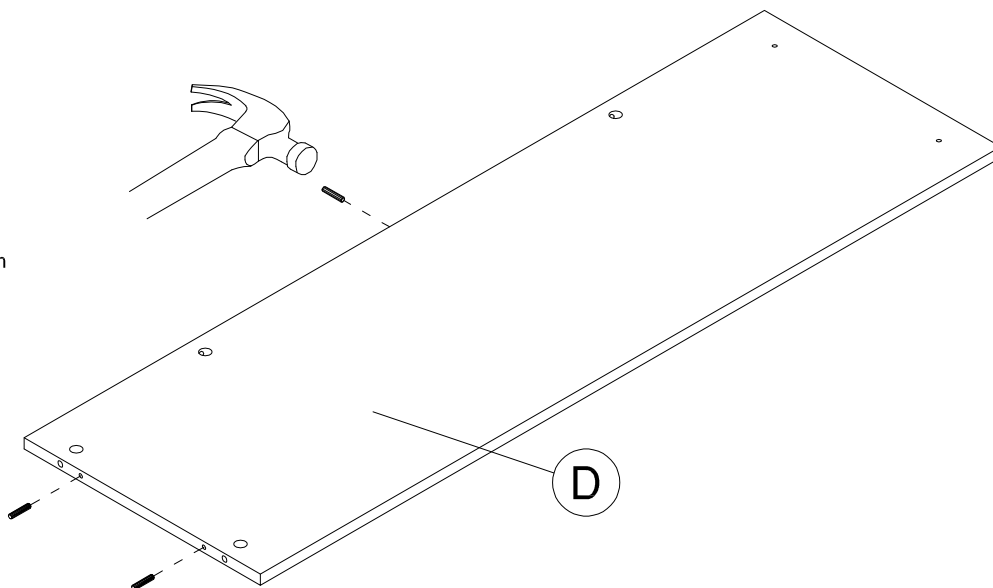


[ 8 ]

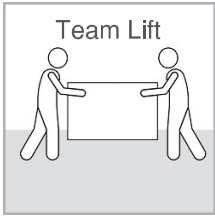
Wood Dowel  
8 x 30mm



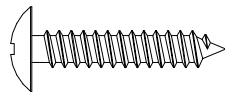
Safety glasses  
Gafas de seguridad  
Lunettes de protection



Have an assembly question or need a replacement part? Just call  
**1-800-950-4782**, we are here to help.

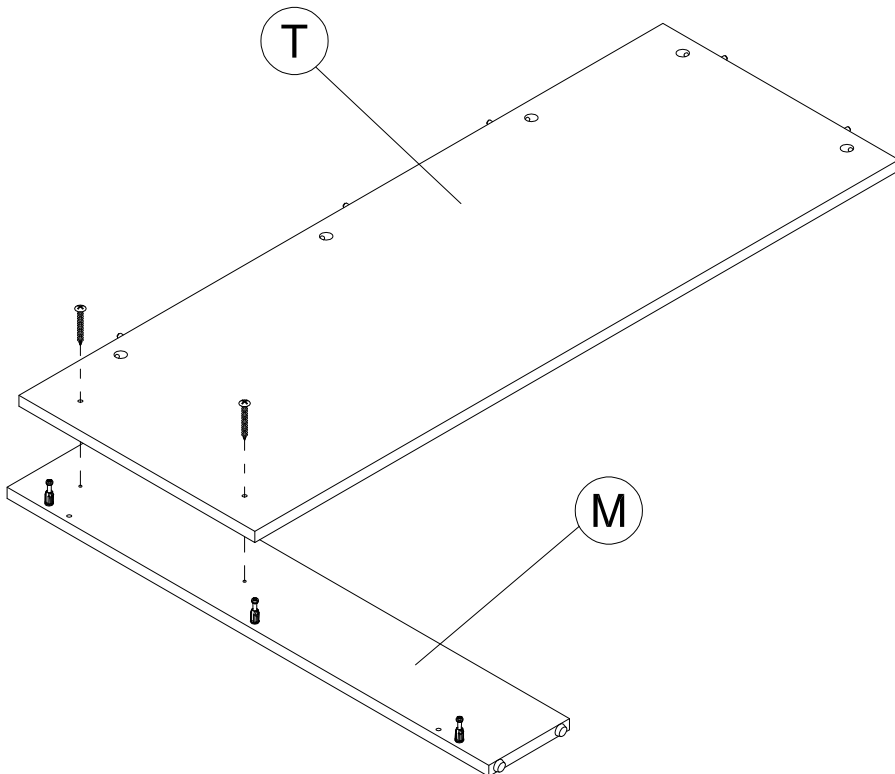
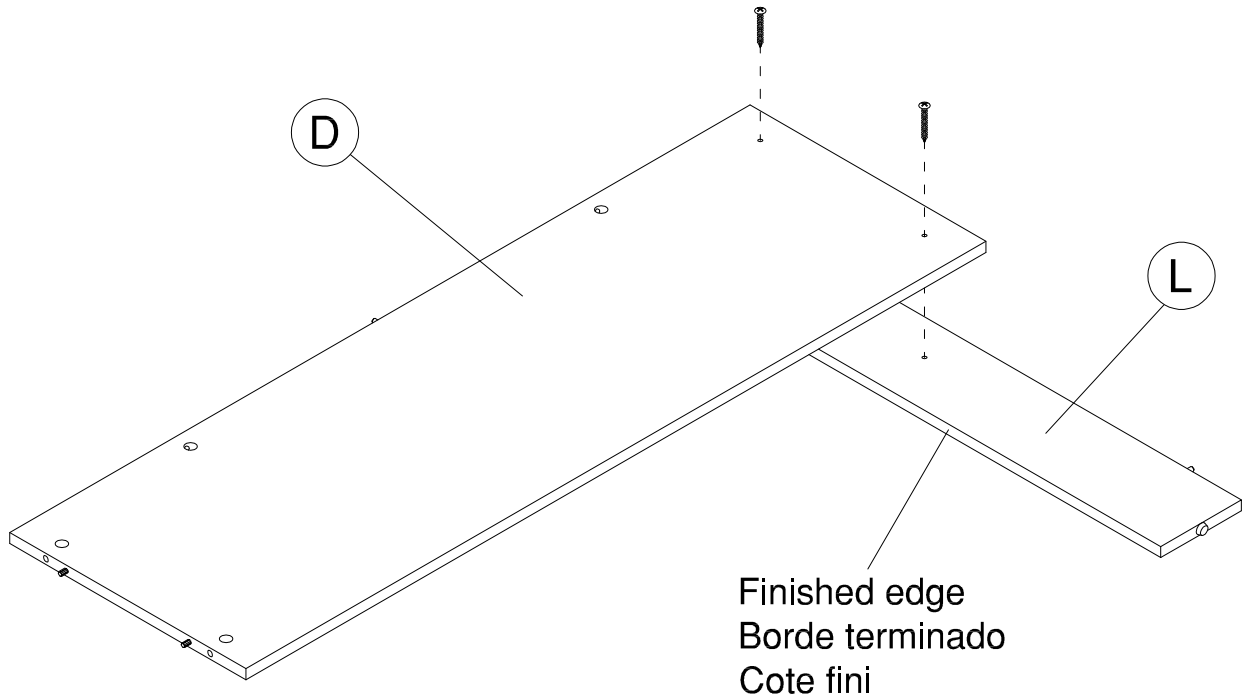
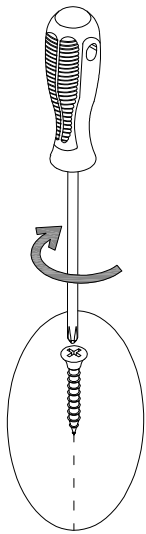


H23682



[ 4 ]

#10 x 1"



Have an assembly question or need a replacement part? Just call  
**1-800-950-4782**, we are here to help.

# STEP 26

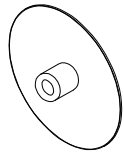
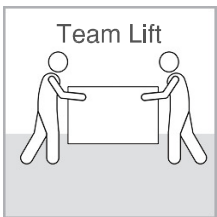
## Assemble Panels

A159345K

Scan QR Code to Watch Video on:

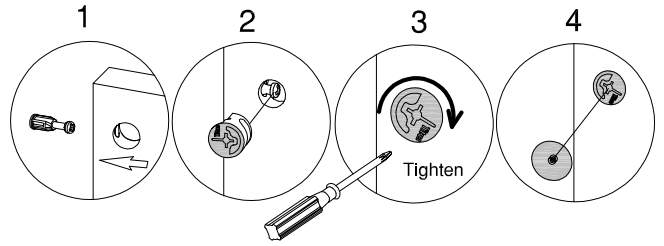


How to Tighten KD Cams

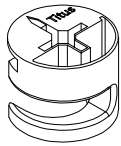


Cover Cap

[ 2 ]

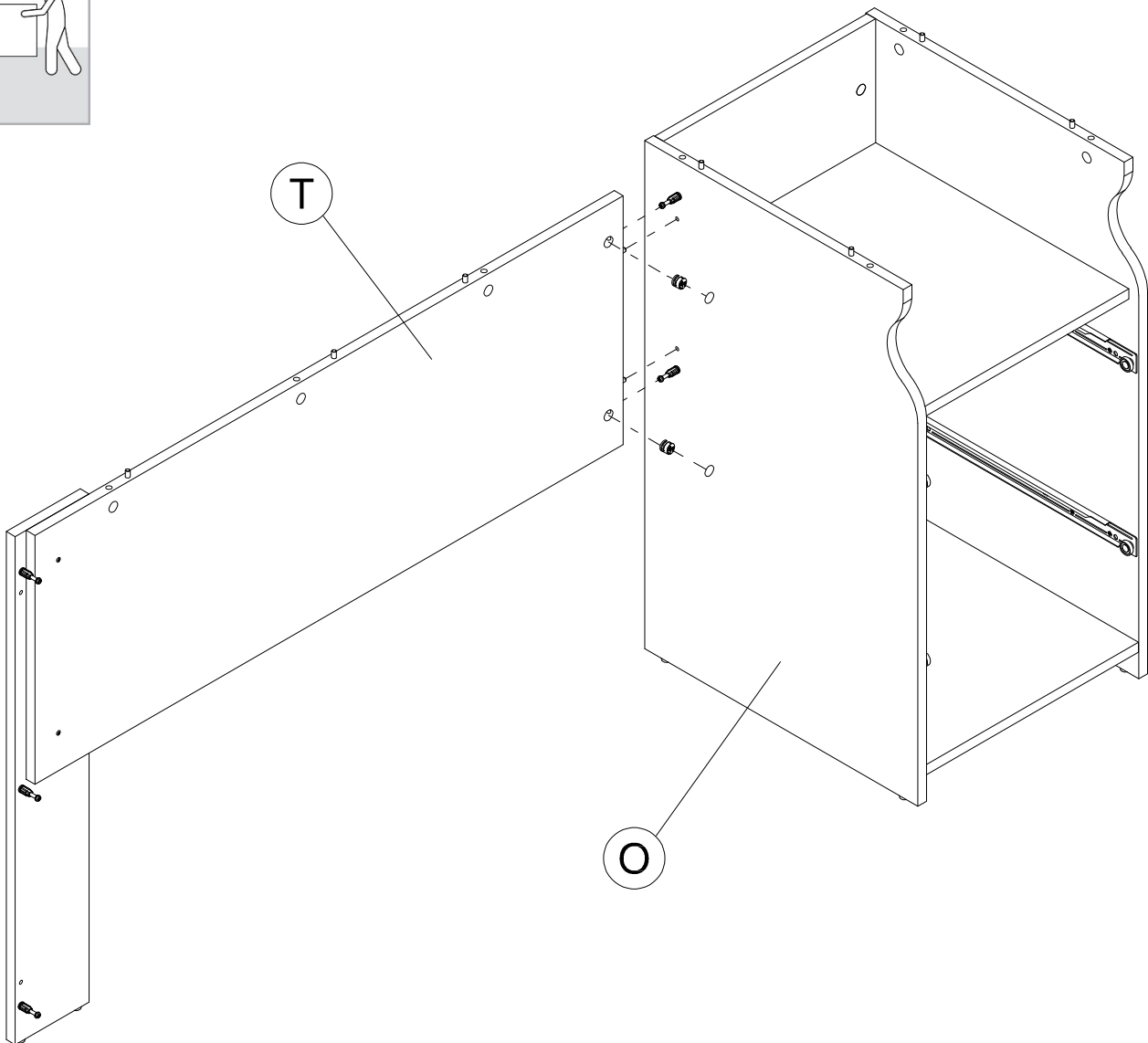


H181468



KD Cam

[ 2 ]



Have an assembly question or need a replacement part? Just call **1-800-950-4782**, we are here to help.

# STEP 27

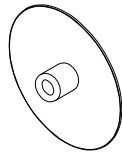
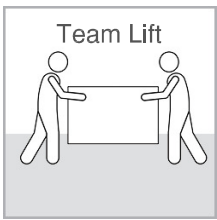
## Assemble Panels

A159345K

Scan QR Code to Watch Video on:

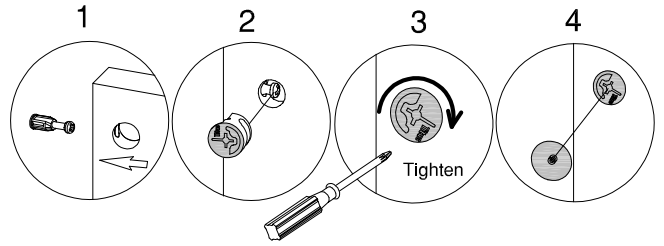


How to Tighten KD Cams

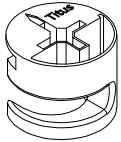


Cover Cap

[ 2 ]

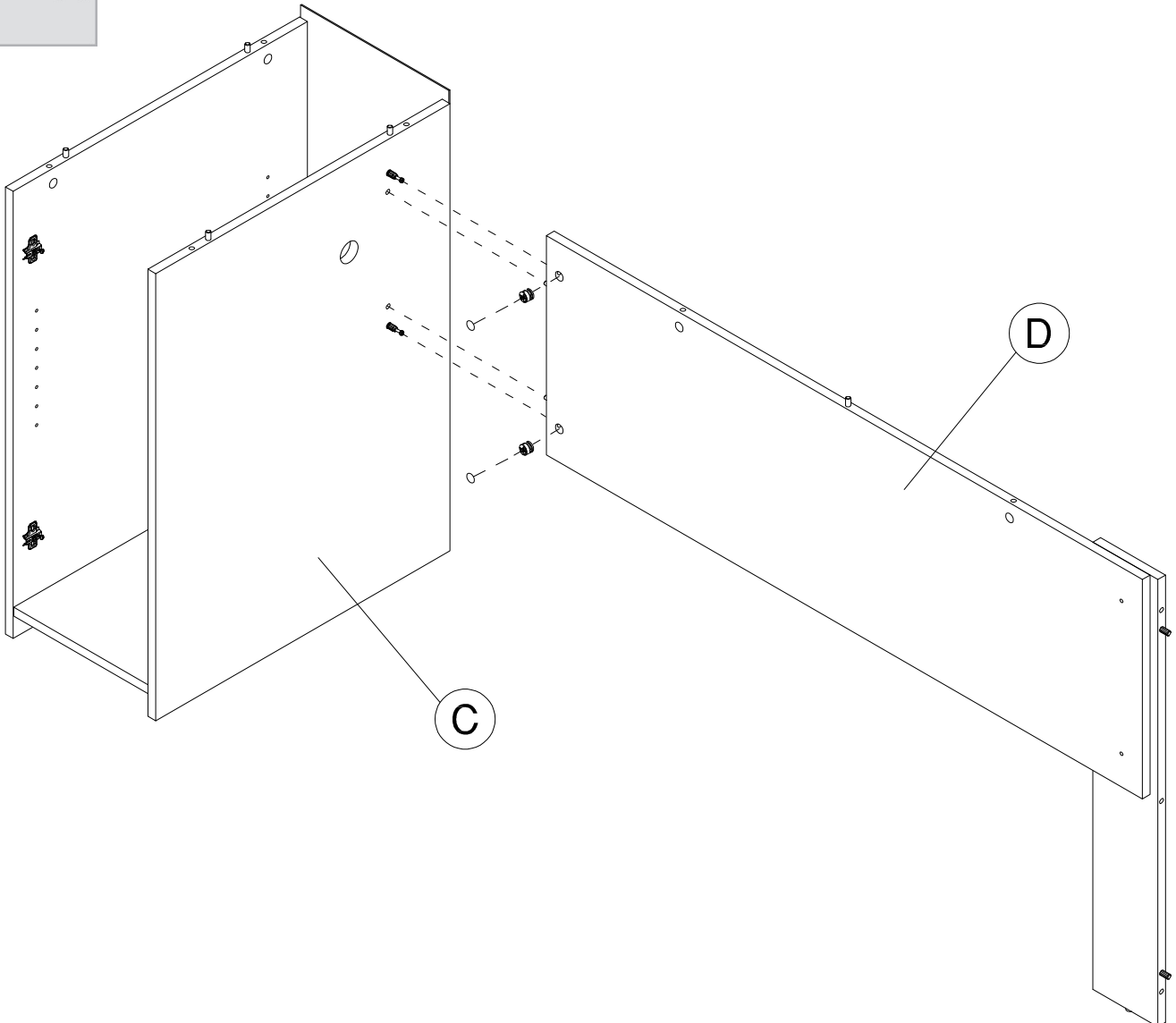


H181468



KD Cam

[ 2 ]



Have an assembly question or need a replacement part? Just call **1-800-950-4782**, we are here to help.

# STEP 28

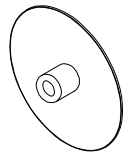
## Assemble Panels

A159345K

Scan QR Code to Watch Video on:

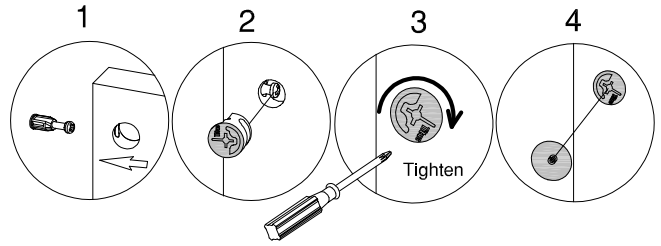


How to Tighten KD Cams

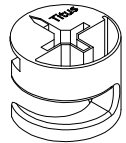


Cover Cap

[ 3 ]

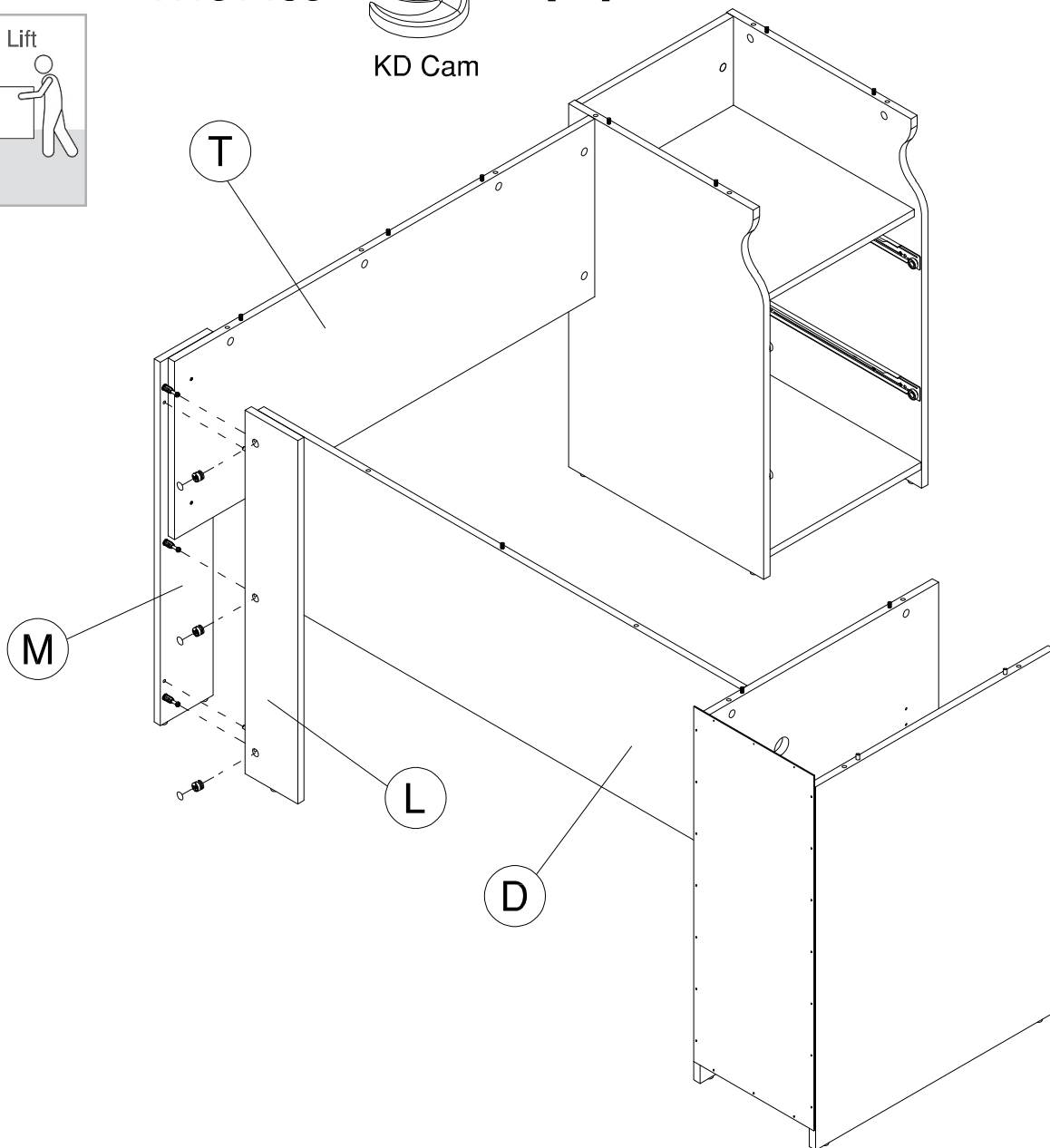


H181468



KD Cam

[ 3 ]



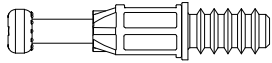
Have an assembly question or need a replacement part? Just call **1-800-950-4782**, we are here to help.

# STEP 29

# Prepare Panel

A159345K

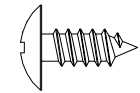
H72988



[ 8 ]

KD Bolt

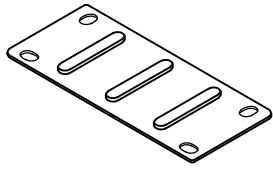
H35251



[ 10 ]

#10 x 1/2"

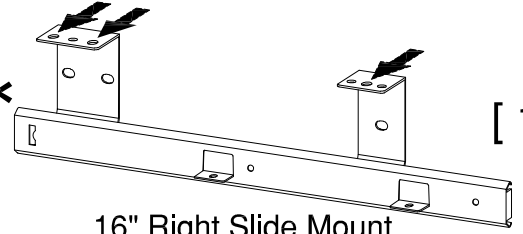
H39922



[ 2 ]

Strap

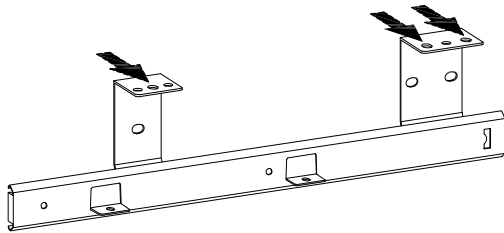
Z92807 \*



[ 1 ]

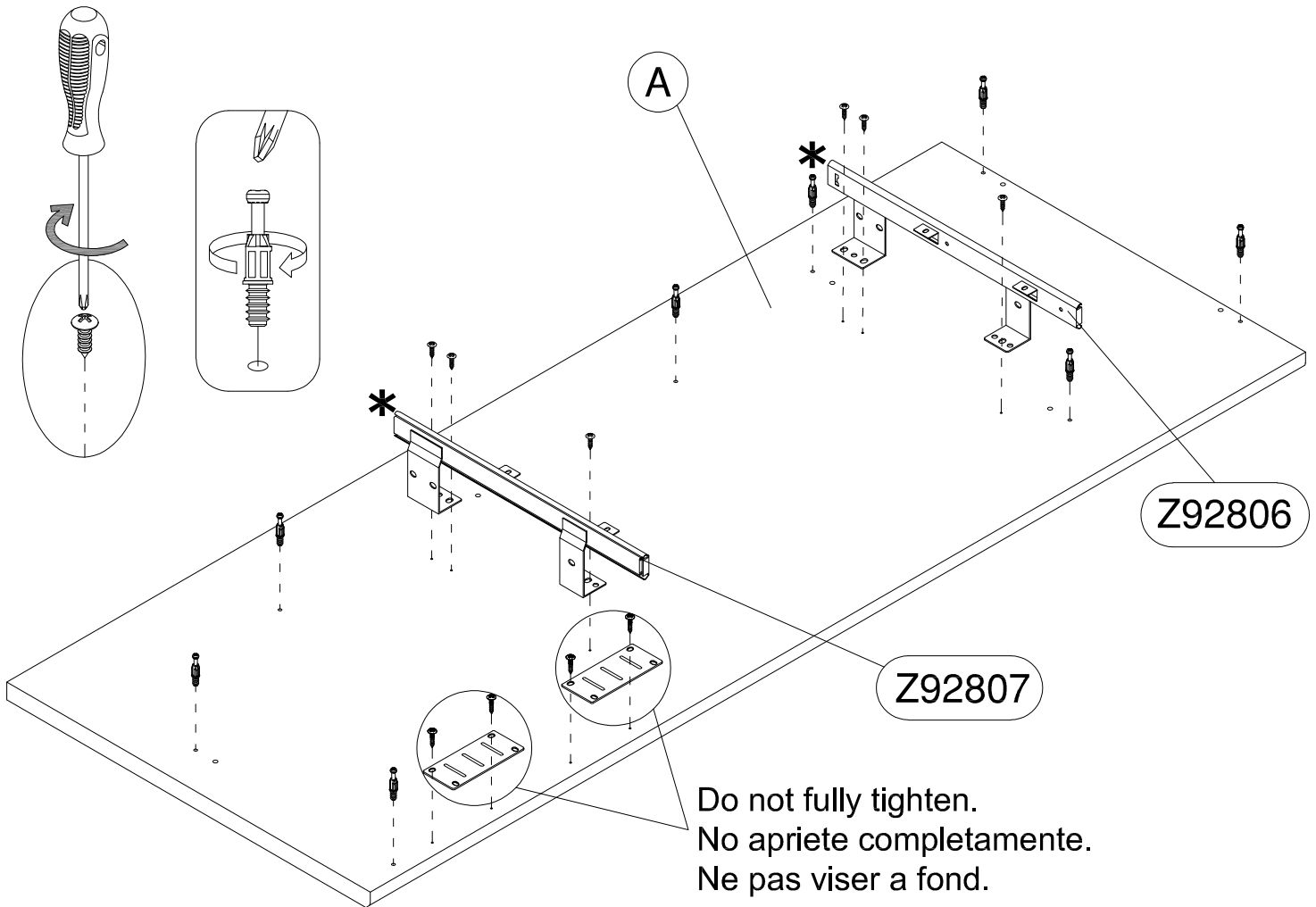
16" Right Slide Mount

Z92806



\* [ 1 ]

16" Left Slide Mount



Do not fully tighten.  
No apriete completamente.  
Ne pas viser a fond.

Have an assembly question or need a replacement part? Just call  
**1-800-950-4782**, we are here to help.

# STEP 30

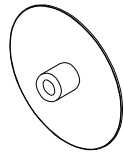
## Assemble Panels

A159345K

Scan QR Code to  
Watch Video on:

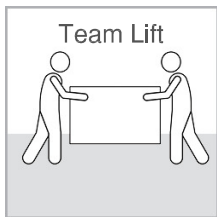
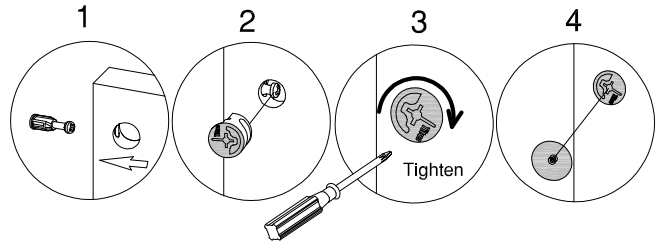


How to Tighten  
KD Cams



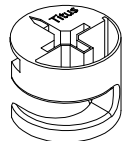
Cover Cap

[ 8 ]



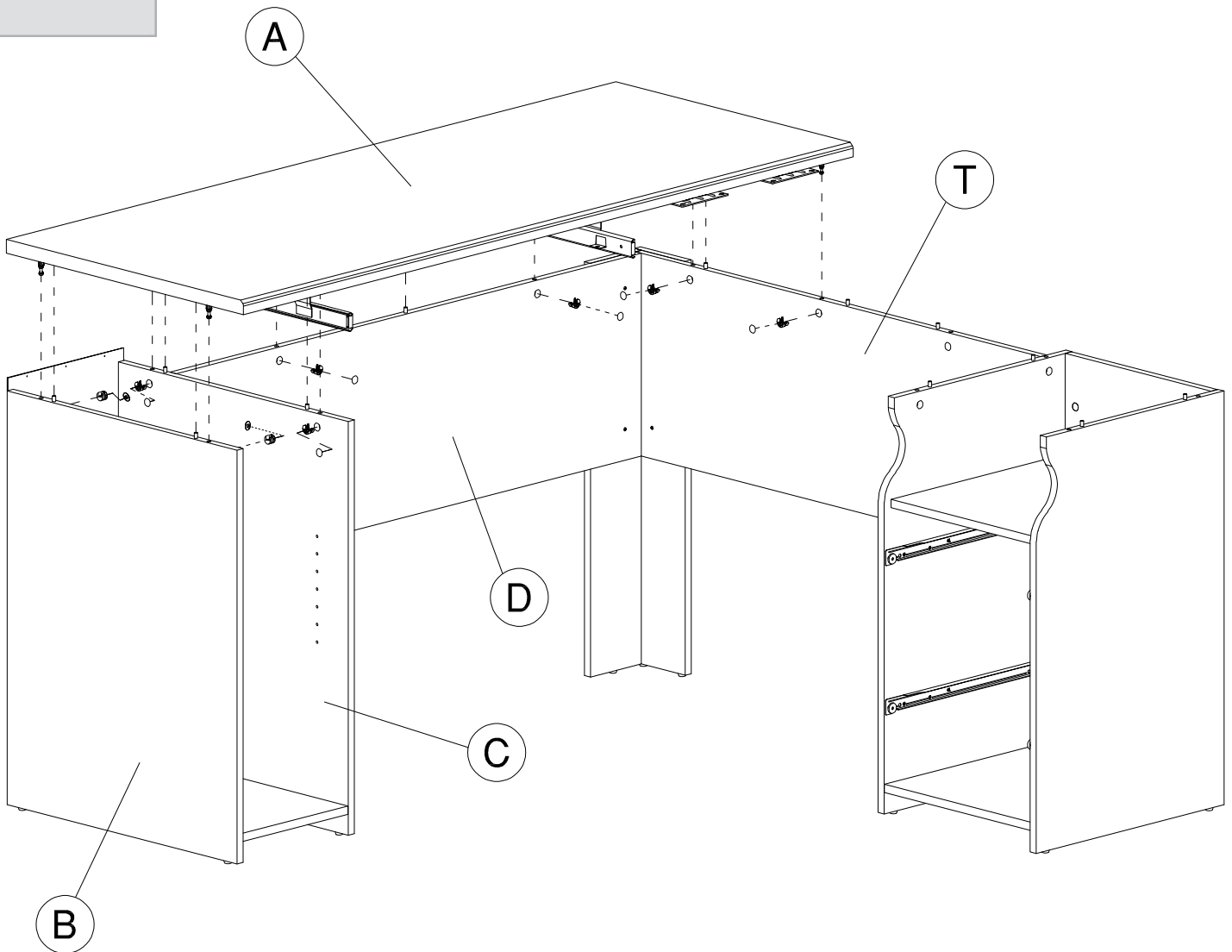
Team Lift

H181468



KD Cam

[ 8 ]



Have an assembly question or need a replacement part? Just call  
**1-800-950-4782**, we are here to help.

# STEP 31

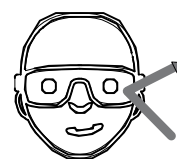
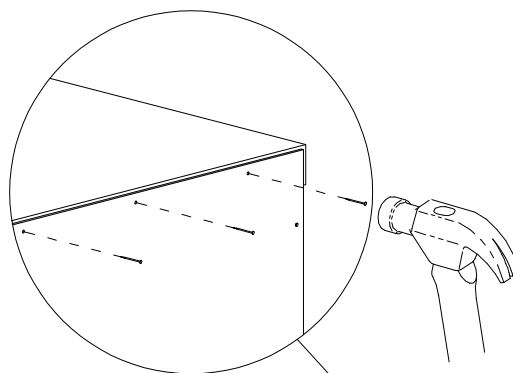
# Install Fasteners

A159345K

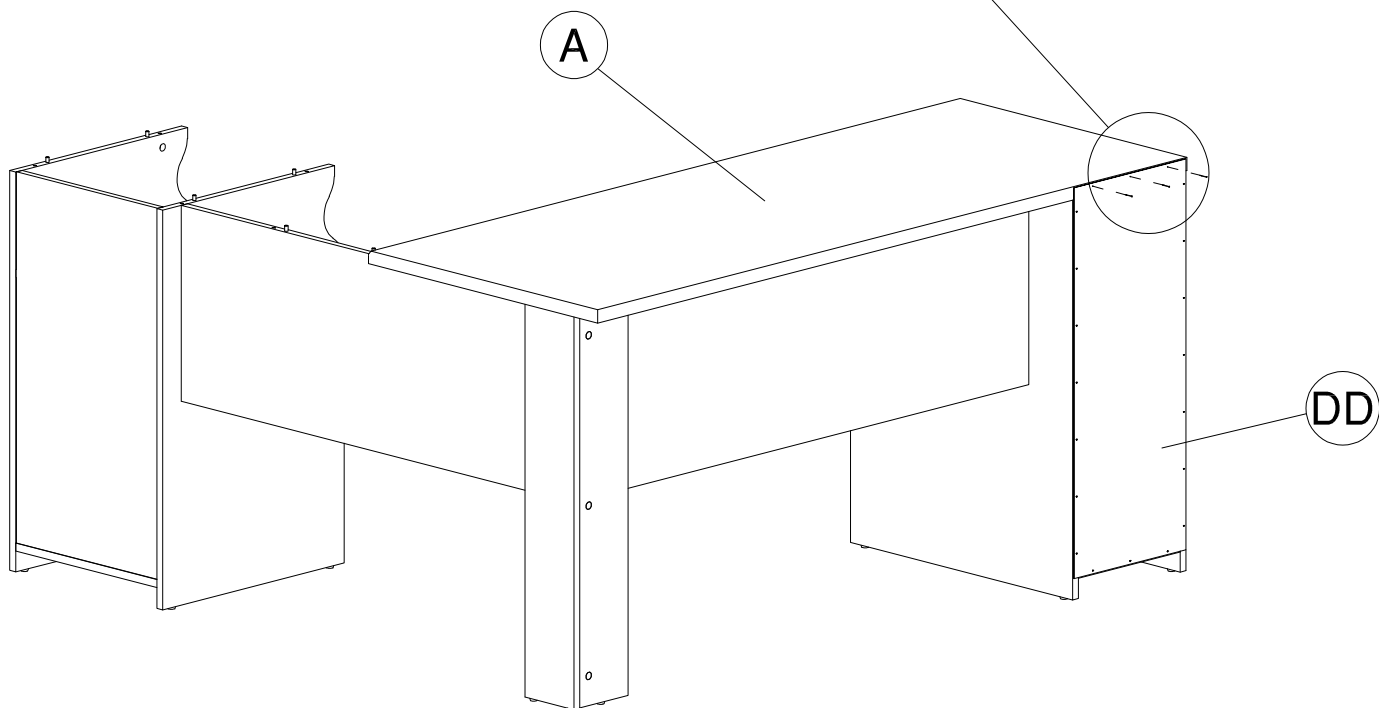


[ 3 ]

#3 x 3/4"



Safety glasses  
Gafas de seguridad  
Lunettes de protection



Have an assembly question or need a replacement part? Just call  
**1-800-950-4782**, we are here to help.

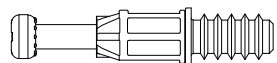


# STEP 32

# Prepare Panel

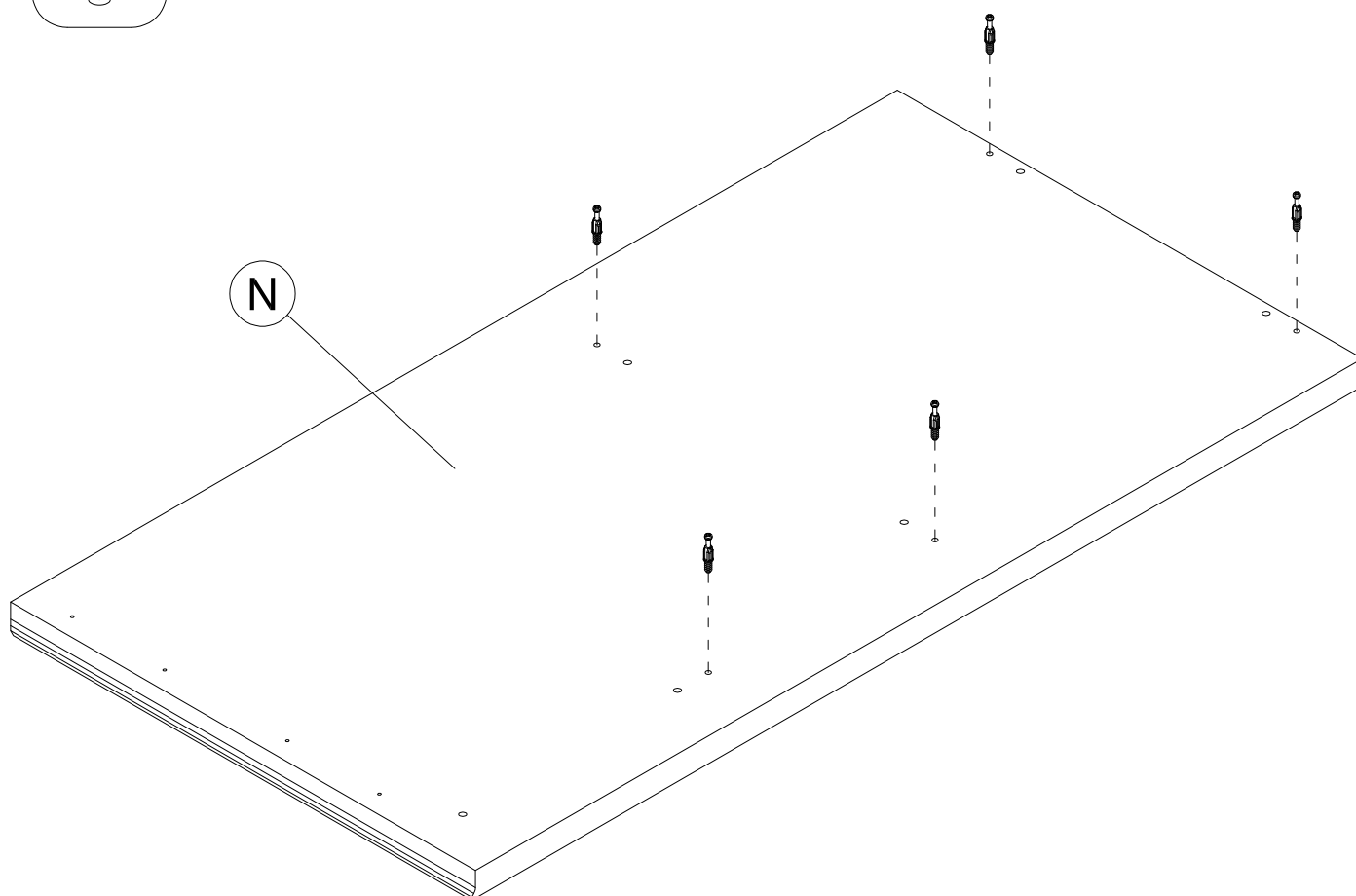
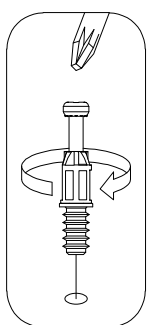
A159345K

H72988



[ 5 ]

KD Bolt



Have an assembly question or need a replacement part? Just call  
**1-800-950-4782**, we are here to help.

# STEP 33

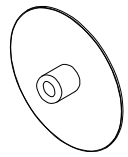
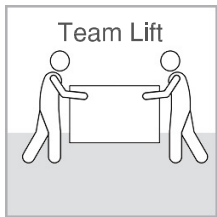
## Assemble Panels

A159345K

Scan QR Code to Watch Video on:



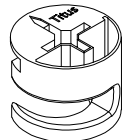
How to Tighten KD Cams



Cover Cap

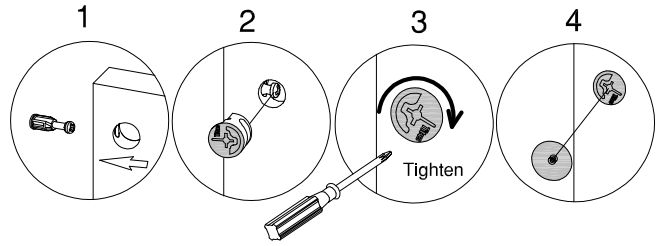
[ 5 ]

H181468

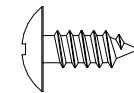


KD Cam

[ 5 ]

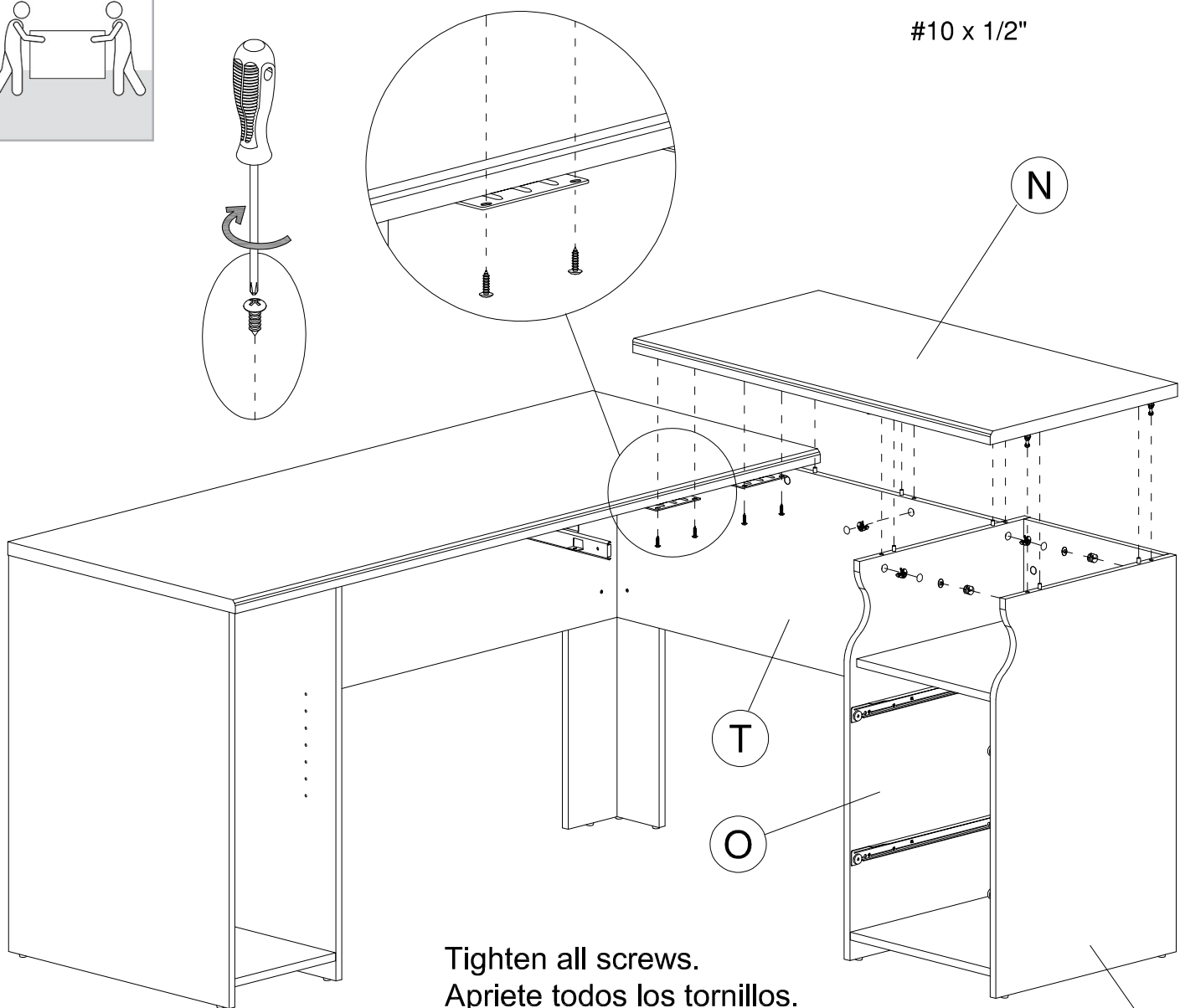


H35251



#10 x 1/2"

[ 4 ]



Tighten all screws.  
Apriete todos los tornillos.  
Serrez toutes les vis.

Have an assembly question or need a replacement part? Just call  
**1-800-950-4782**, we are here to help.

# STEP 34

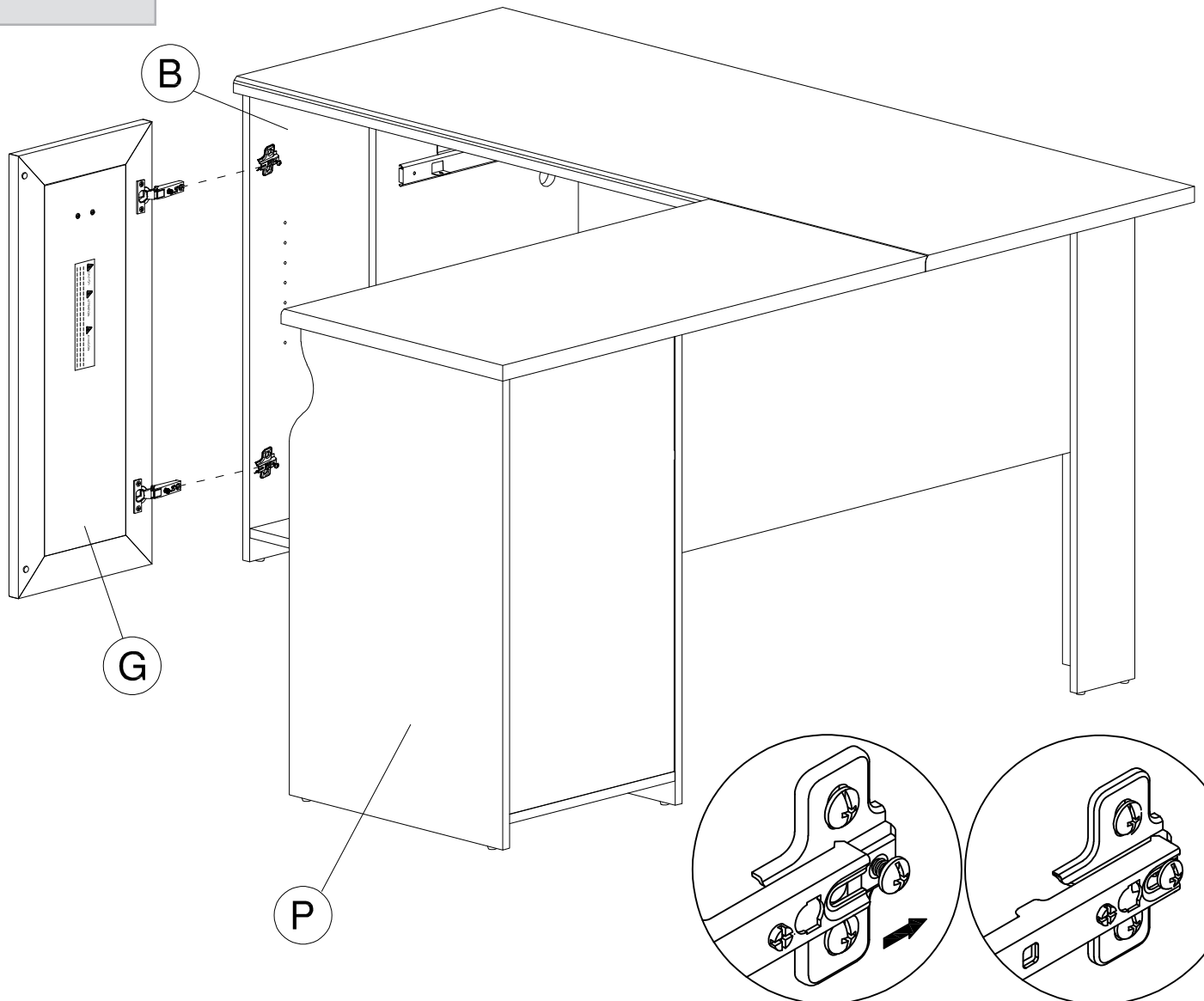
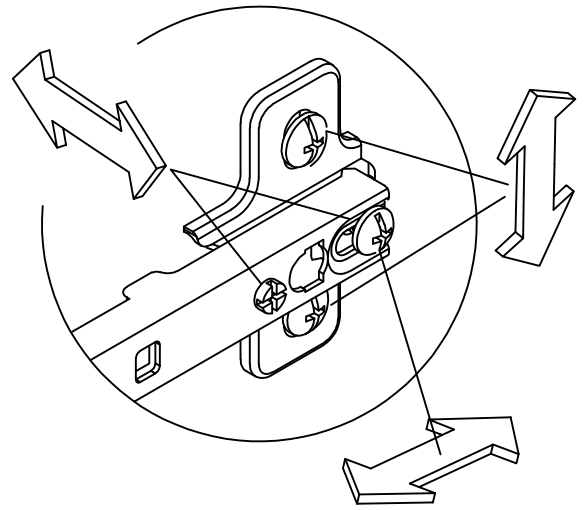
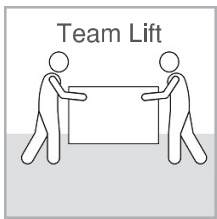
# Attach Door

A159345K

Scan QR Code to Watch Video on:

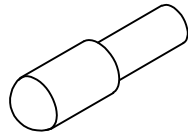


How to Adjust Door Hinges



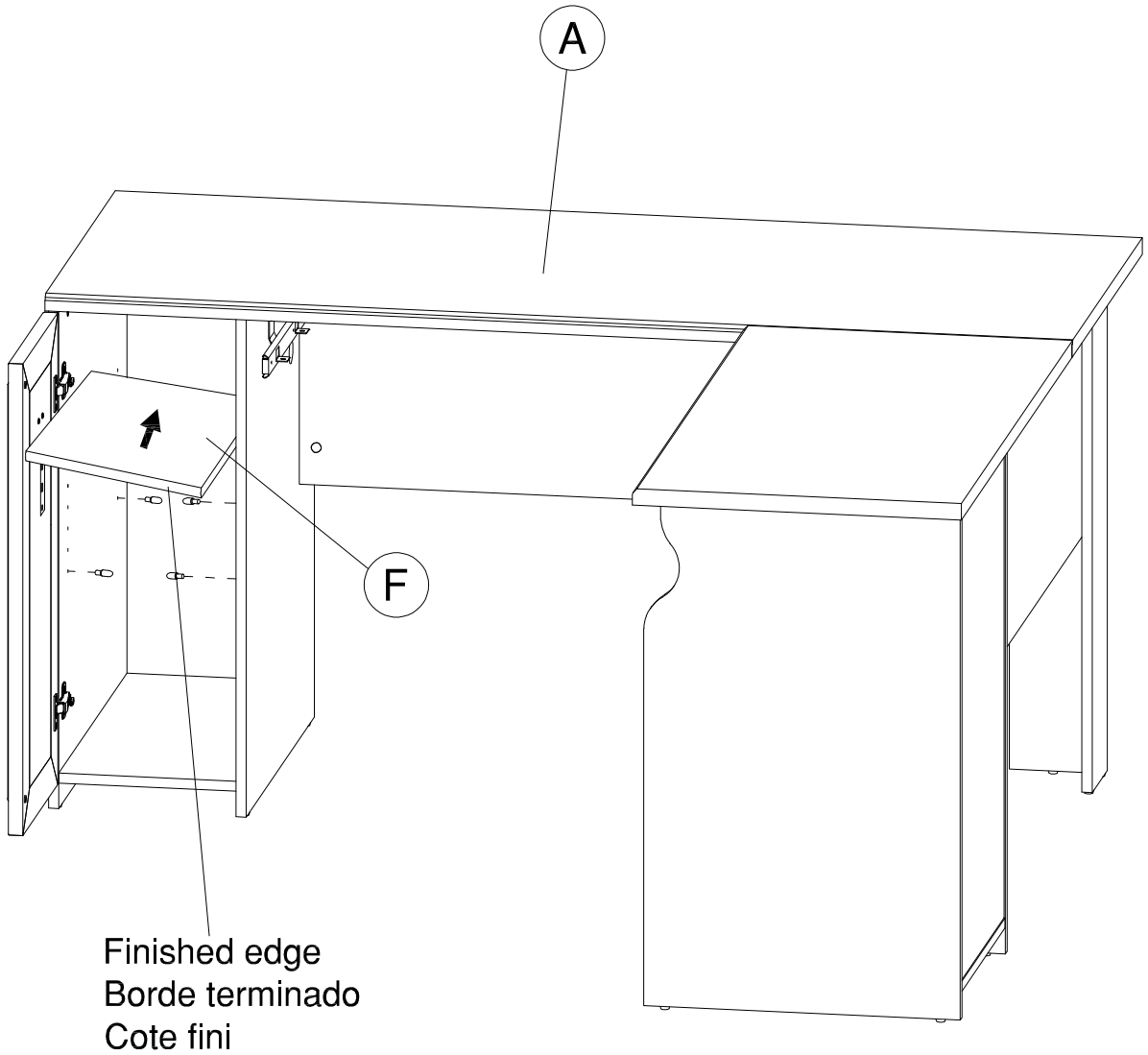
Have an assembly question or need a replacement part? Just call **1-800-950-4782**, we are here to help.

H158707



Shelf Pin

[ 4 ]



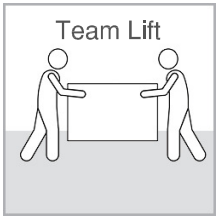
Finished edge  
Borde terminado  
Cote fini

Have an assembly question or need a replacement part? Just call  
**1-800-950-4782**, we are here to help.

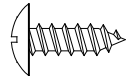
# STEP 36

# Install Drawer

A159345K

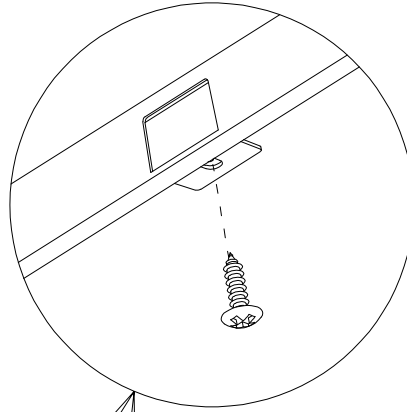
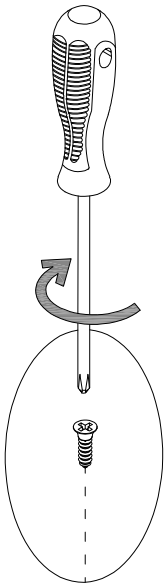


H43507

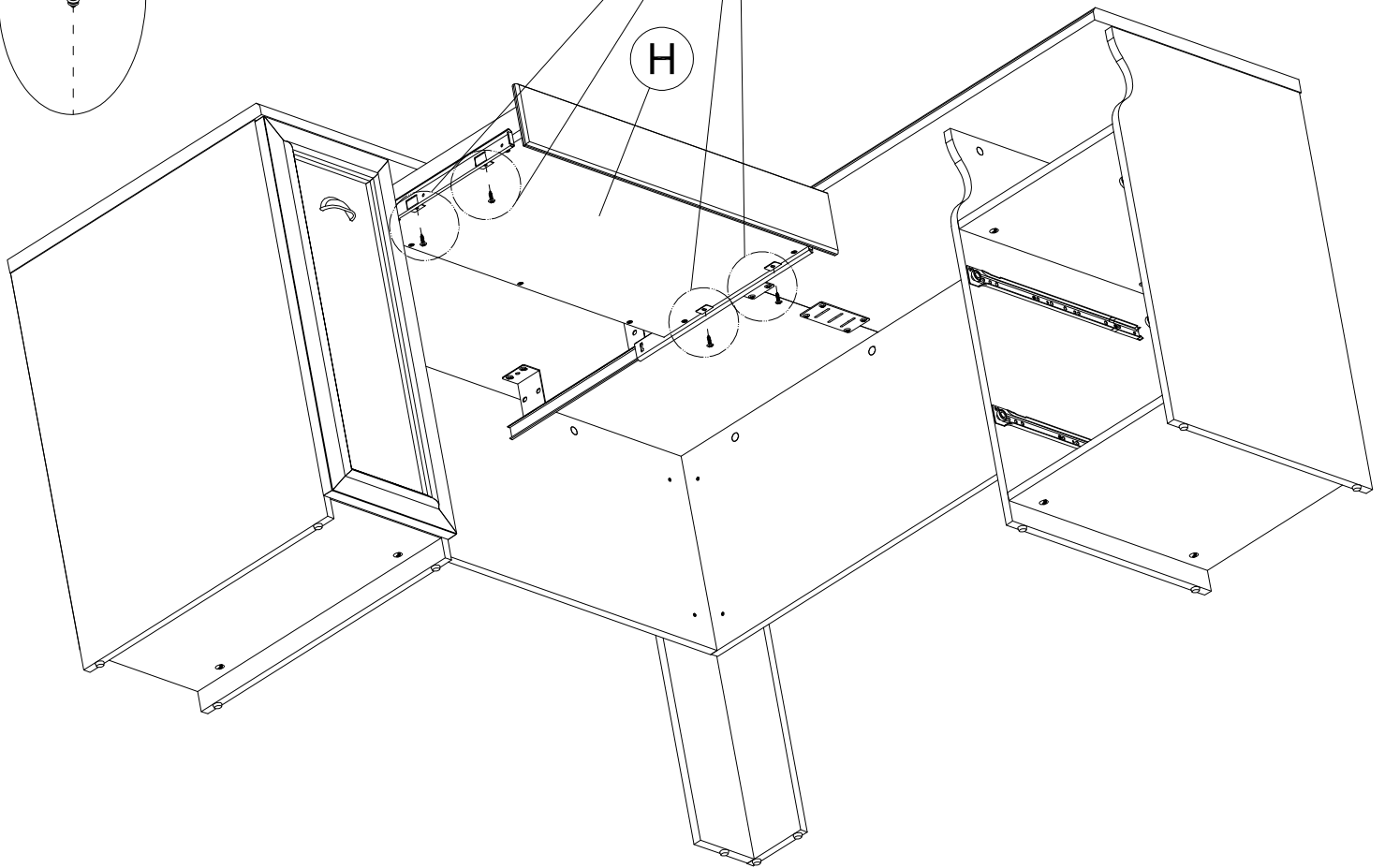


[ 4 ]

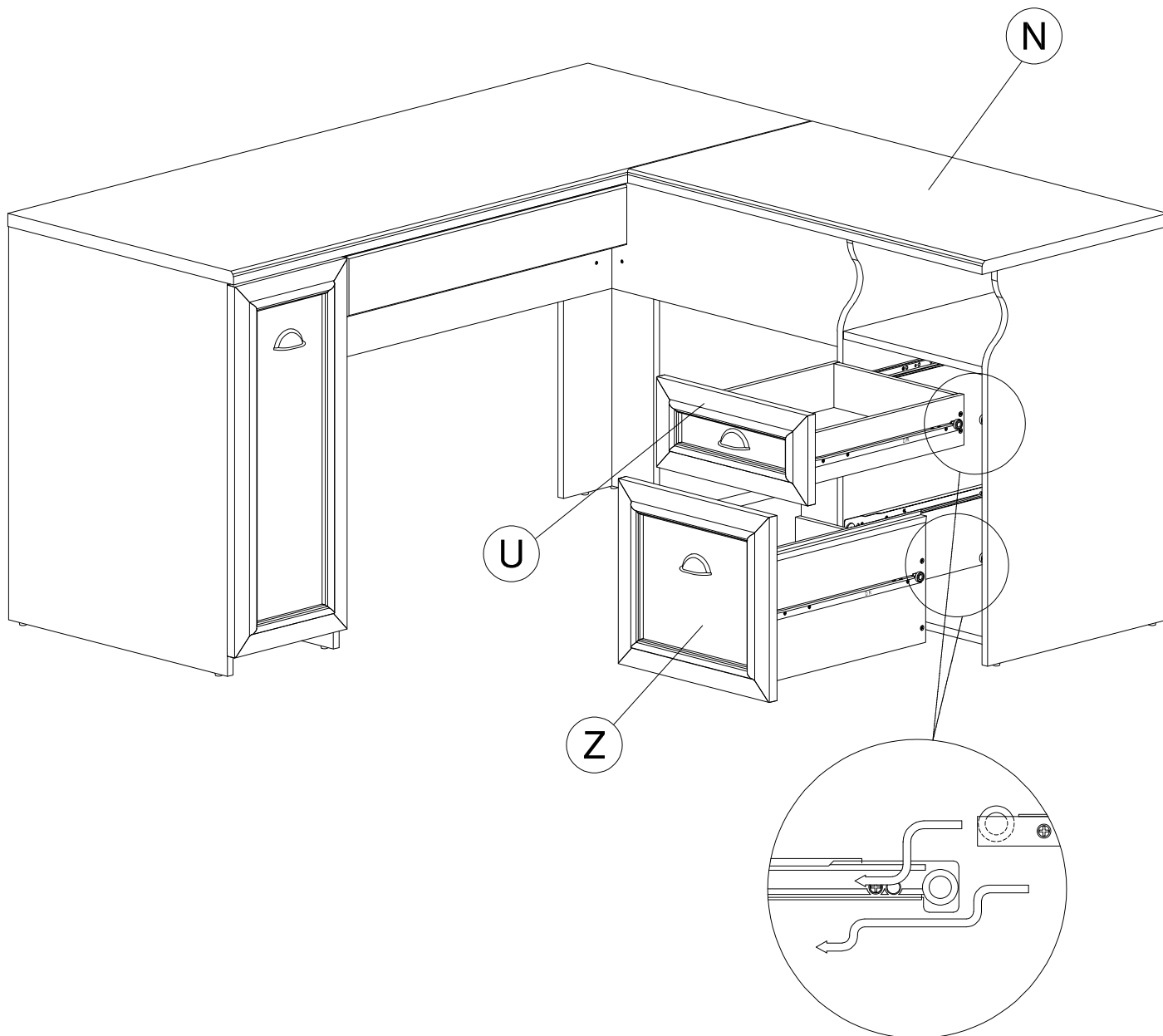
#8 x 1/2"



H

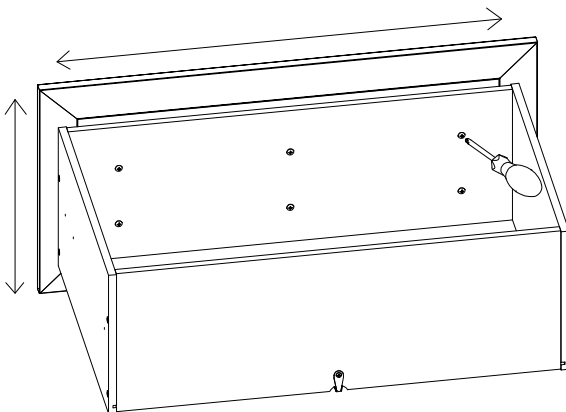
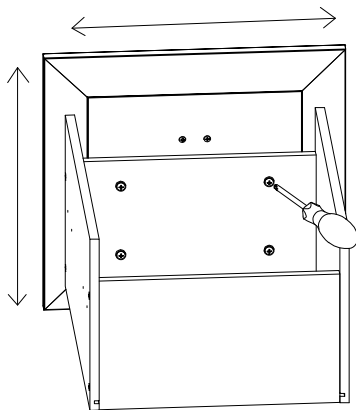
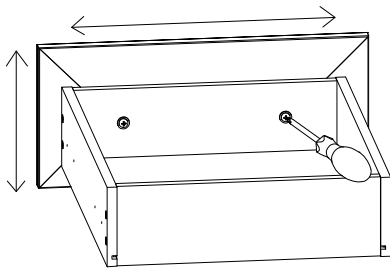
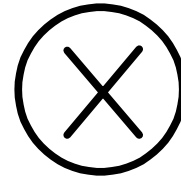
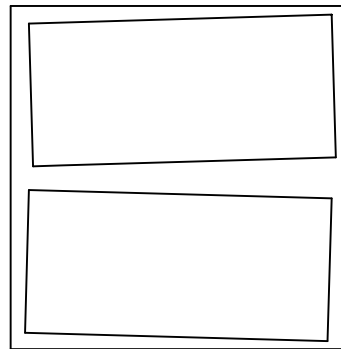
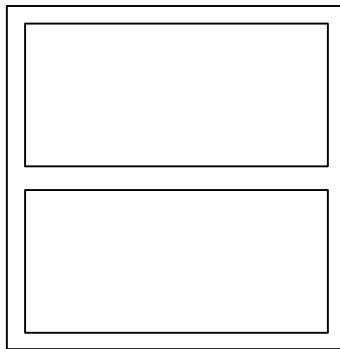


Have an assembly question or need a replacement part? Just call  
**1-800-950-4782**, we are here to help.



Have an assembly question or need a replacement part? Just call  
**1-800-950-4782**, we are here to help.

DRAWER FRONT VIEW



REQUIRED TOOL: PHILLIPS SCREWDRIVER

HERRAMIENTA REQUERIDA: DESTORNILLADOR PHILLIPS  
 OUTIL REQUIS: TOURNEVIS CRUCIFORME



1. LOOSEN SCREWS.
2. ADJUST DRAWER FRONTS.
3. TIGHTEN SCREWS.

1. Afloje los tornillos
2. Ajustar frentes de cajón
3. Apriete los tornillos

1. Desserrer les vis
2. Ajuster les façades des tiroirs
3. Serrer les vis

Have an assembly question or need a replacement part? Just call  
**1-800-950-4782**, we are here to help.

Scan QR Code to  
Watch Video on:

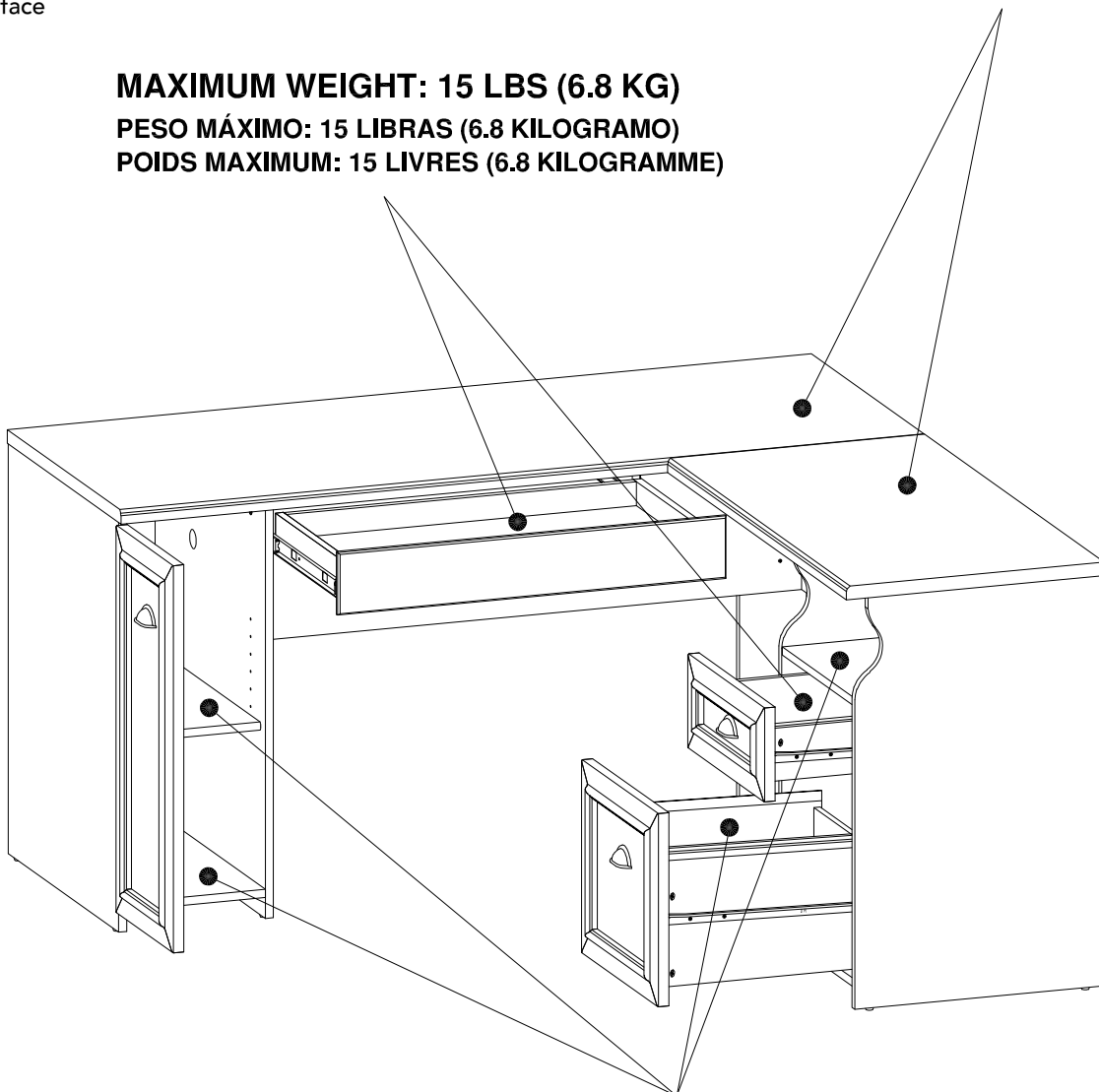


How to Clean  
the Surface

Gently clean  
surfaces with a  
damp sponge  
eraser.

**MAXIMUM WEIGHT: 200 LBS (90.72 KG)**  
**PESO MÁXIMO: 200 LIBRAS (90.72 KILOGRAMO)**  
**POIDS MAXIMUM: 200 LIVRES (90.72 KILOGRAMME)**

**MAXIMUM WEIGHT: 15 LBS (6.8 KG)**  
**PESO MÁXIMO: 15 LIBRAS (6.8 KILOGRAMO)**  
**POIDS MAXIMUM: 15 LIVRES (6.8 KILOGRAMME)**



**MAXIMUM WEIGHT: 30 LBS (13.61 KG)**  
**PESO MÁXIMO: 30 LIBRAS (13.61 KILOGRAMO)**  
**POIDS MAXIMUM: 30 LIVRES (13.61 KILOGRAMME)**

**Congratulations! You are all done. If you  
have any questions or concerns, please  
call.**

Have an assembly question or need a replacement part? Just call  
**1-800-950-4782**, we are here to help.



**WC53230**

A	[1]	W182548	P	[1]	W158286
B	[1]	W158514	Q	[1]	W158287
C	[1]	W158515	R	[1]	W158288
D	[1]	W158516	S	[1]	W158289
E	[1]	W158517	T	[1]	W158290
F	[1]	W158518	U	[1]	S157690
G	[1]	S158519	V	[2]	W158561
H	[1]	W157689	W	[1]	W160148
I	[2]	W158279	X	[1]	W158294
J	[1]	W158280	Y	[2]	W158562
K	[1]	W158281	Z	[1]	S158563
L	[1]	W158282	AA	[2]	W158564
M	[1]	W158283	BB	[1]	W160149
N	[1]	W182549	CC	[1]	W158299
O	[1]	W158285	DD	[1]	W208572

H186067  [ 20 ]

#3 x 3/4"


H160172  [ 22 ]

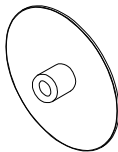
Cover Cap

Have an assembly question or need a replacement part? Just call  
**1-800-950-4782**, we are here to help.

**WC53930**

A	[1]	W158301	P	[1]	W158316
B	[1]	W158302	Q	[1]	W158317
C	[1]	W158303	R	[1]	W158318
D	[1]	W158304	S	[1]	W158319
E	[1]	W158305	T	[1]	W158320
F	[1]	W158306	U	[1]	S160151
G	[1]	S158307	V	[2]	W160152
H	[1]	W160150	W	[1]	W160156
I	[2]	W158309	X	[1]	W158324
J	[1]	W158310	Y	[2]	W160153
K	[1]	W158311	Z	[1]	S160154
L	[1]	W158312	AA	[2]	W160155
M	[1]	W158313	BB	[1]	W160157
N	[1]	W158314	CC	[1]	W158329
O	[1]	W158315	DD	[1]	W208573

H34174  [ 20 ]  
#3 x 3/4"

H160173  [ 22 ]  
Cover Cap

Have an assembly question or need a replacement part? Just call  
**1-800-950-4782**, we are here to help.

**WC53530**

A	[1]	W194450	P	[1]	W194465
B	[1]	W194451	Q	[1]	W194466
C	[1]	W194452	R	[1]	W194467
D	[1]	W194453	S	[1]	W194468
E	[1]	W194454	T	[1]	W194469
F	[1]	W194455	U	[1]	S194470
G	[1]	S194456	V	[2]	W194471
H	[1]	W194457	W	[1]	W194472
I	[2]	W194458	X	[1]	W194473
J	[1]	W194459	Y	[2]	W194474
K	[1]	W194460	Z	[1]	S194475
L	[1]	W194461	AA	[2]	W194476
M	[1]	W194462	BB	[1]	W194477
N	[1]	W194463	CC	[1]	W194478
O	[1]	W194464	DD	[1]	W208574

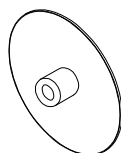
H34174



#3 x 3/4"

[ 20 ]

H186180



Cover Cap

[ 22 ]

Have an assembly question or need a replacement part? Just call  
**1-800-950-4782**, we are here to help.

**WC53630**

A	[1]	W198341	P	[1]	W198356
B	[1]	W198342	Q	[1]	W198357
C	[1]	W198343	R	[1]	W198358
D	[1]	W198344	S	[1]	W198359
E	[1]	W198345	T	[1]	W198360
F	[1]	W198346	U	[1]	S198361
G	[1]	S198347	V	[2]	W198362
H	[1]	W198348	W	[1]	W198363
I	[2]	W198349	X	[1]	W198364
J	[1]	W198350	Y	[2]	W198365
K	[1]	W198351	Z	[1]	S198366
L	[1]	W198352	AA	[2]	W198367
M	[1]	W198353	BB	[1]	W198368
N	[1]	W198354	CC	[1]	W198369
O	[1]	W198355	DD	[1]	W208575

H186067  [ 20 ]

#3 x 3/4"

H170595  [ 22 ]

Cover Cap

Have an assembly question or need a replacement part? Just call  
**1-800-950-4782**, we are here to help.

**THIS PAGE INTENTIONALLY LEFT BLANK**

**THIS PAGE INTENTIONALLY LEFT BLANK**

**THIS PAGE INTENTIONALLY LEFT BLANK**

# WARRANTY INFORMATION/INFORMATIONS POUR LA GARANTIE/INFORMACIÓN DE GARANTÍA

## BUSH FURNITURE'S WRITTEN WARRANTY TO YOU

In order to provide you with timely assistance, please thoroughly inspect your furniture for missing or defective parts immediately after opening the carton. To receive replacement or missing parts under this warranty, call our Consumer Service Department TOLL-FREE at 1-800-950-4782. Please have the Model, Part, and Lot Numbers found in the instruction manual available for your reference. You will also need your sales receipt or other proof of purchase. Replacement part(s) will be shipped to you at no charge with Bush Industries assuming all shipping and handling charges.

This Bush Furniture product is warranted to the original purchaser at the time of purchase and for a period of six years thereafter.

We warrant to you, the original purchaser, that our furniture and all its parts and components are free of defects in material or workmanship. "Defects," as used in this warranty, is defined as any imperfection which impairs the use of the furniture product.

Our warranty is expressly limited to the replacement of furniture parts and components. Except for the limitations listed below, for six years after the date of purchase, Bush will replace parts that are defective in material or workmanship.

Limitations involving materials and components: The materials and components listed below are covered according to the following schedule from the date of sale:

- Five Years – Glides, casters, polymer-based components, panel, upholstery fabrics, foam, laminates, veneer finishes, and other covering materials.
- One Year – Metal mechanism and related components in manual height adjustable products.

This warranty applies under conditions of normal use. Our Bush Furniture products are not intended for outdoor use. This warranty does not cover: 1) defects caused by improper assembly or disassembly; 2) defects occurring after purchase due to product modification, intentional damage, accident, misuse, abuse, negligence or exposure to the elements; and 3) labor or assembly costs. 4) batteries are not included.

IMPLIED WARRANTIES, INCLUDING THE WARRANTY OF MERCHANTABILITY, SHALL NOT EXTEND BEYOND THE DURATION OF THE WRITTEN WARRANTY STATED ABOVE, AND IN NO EVENT SHALL BUSH BE LIABLE FOR INCIDENTAL OR CONSEQUENTIAL DAMAGES RESULTING FROM USE OF THE PRODUCT. Some states do not allow a limitation on how long an implied warranty lasts or the exclusion or limitation of incidental or consequential damages, so the above limitation and exclusion may not apply to you.

This warranty gives you specific legal rights. You may also have other rights that may vary from state to state.

## VOTRE GARANTIE BUSH FURNITURE

Afin de vous assister rapidement, veuillez inspecter votre mobilier en détail immédiatement après l'ouverture du carton en cas de pièces manquantes ou défectueuses. Pour recevoir une pièce de rechange ou manquante couverte par cette garantie, appelez notre département de service clientèle GRATUITEMENT au 1-800-950-4782. Veuillez tenir à disposition les numéros de modèle, de pièce et de lot qui se trouvent dans le manuel d'instruction pour votre référence. Vous aurez également besoin de votre reçu ou d'une autre preuve d'achat. La (les) pièce(s) de rechange vous sera (seront) envoyée(s) sans frais, Bush Industries se chargeant de tous les frais d'expédition.

Tout le produit Bush Furniture est garanti à l'acheteur original à partir de la date d'achat pour une période de six ans.

Nous vous garantissons, à vous l'acheteur original, que notre mobilier et toutes ses pièces et composants sont sans défaut de matériau ou de fabrication. Le terme "défauts" utilisé dans cette garantie, est défini comme étant toutes les imperfections qui compromettent l'utilisation du meuble.

Notre garantie est expressément limitée au remplacement des pièces et des composants du mobilier. Sauf les limitations énumérées ci-dessous, pendant six ans après la date d'achat, Bush remplacera toute pièce défectueuse dans le matériau ou sa fabrication.

Limitations impliquant des matériaux et des composants: Les matériaux et composants énumérés ci-dessous sont couverts conformément au calendrier suivant à compter de la date de vente:

- Cinq ans - Glissements, roulettes, composants à base de polymères, panneaux, tissus d'ameublement, mousse, stratifiés, finitions de placage et autres matériaux de revêtement.
- Un an - Mécanisme métallique et composants associés dans des produits à réglage manuel de la hauteur.

Cette garantie d'applique sous des conditions d'utilisation normale. Nos produits ne sont pas destinés à être utilisés en plein air. Cette garantie ne couvre pas: 1) les défauts causés par un mauvais assemblage ou démontage, 2) les défauts ayant lieu après l'achat et dus à la modification du produit, des dommages intentionnels, des accidents, une mauvaise utilisation, un mauvais traitement, la négligence ou l'exposition aux éléments, et 3) les frais de main d'œuvre ou d'assemblage. 4) les piles ne sont pas incluses.

LES GARANTIES TACITES, Y COMPRIS LA GARANTIE DE QUALITE MARCHANDE, NE S'ETENDRONT PAS AU-DELA DE LA DUREE ECRITE CITEE CI-DESSUS, ET BUSH NE SERA EN AUCUN CAS RESPONSABLE DES DOMMAGES ACCESSOIRES OU INDIRECTS RESULTANT DE L'UTILISATION DU PRODUIT. Certains états ne permettent pas d'appliquer une limite à la durée de la garantie tacite, ni une exclusion ou limitation des dommages accessoires ou indirects; dans ce cas les limitations ou exclusion ci-dessus peuvent ne pas s'appliquer à vous.

Cette garantie vous donne des droits légaux spécifiques. Il se peut que vous ayez également d'autres droits qui peuvent varier d'un état à l'autre.

## GARANTIA ESCRITA DE BUSH FURNITURE PARA USTED

Para brindarle asistencia oportuna, por favor, verifique detalladamente que a su mueble no le falte o tenga piezas defectuosas inmediatamente después de abrir la caja. Para recibir un reemplazo o la parte faltante bajo esta garantía, llame a nuestro Departamento de Servicio al Consumidor GRATIS al 1-800-950-4782. Sírvase traer los números de modelo, parte y lote que se encuentran en el manual de instrucciones disponible para su referencia. Además, necesitará el recibo de su compra u otra prueba de compra. La(s) pieza(s) de reemplazo le será(n) enviada(s) sin recargo por Bush Industries asumiendo los gastos de envío y manipleo.

Todo mueble de Bush Furniture es garantizado al comprador original al momento de la compra y por un periodo de seis años en adelante.

Le garantizamos a usted, el comprador original, que nuestros muebles sus partes y componentes están libres de defectos en materiales o trabajo. "Defectos", según se usa en esta garantía, se define como una imperfección que perjudica el uso del producto mobiliario.

Nuestra garantía se limita expresamente al reemplazo de partes y componentes mobiliarios. Excepto las limitaciones enumeradas a continuación, durante seis años después de la fecha de compra, Bush reemplazará cualquier parte defectuosa en material o trabajo.

Limitaciones que involucran materiales y componentes: Los materiales y componentes que se enumeran a continuación están cubiertos de acuerdo con el siguiente calendario a partir de la fecha de venta:

- Cinco años: deslizadores, ruedas, componentes a base de polímeros, paneles, telas de tapicería, espuma, laminados, acabados de enchapado y otros materiales de recubrimiento.
- Un año: mecanismo de metal y componentes relacionados en productos de altura manual.

Esta garantía se aplica bajo condiciones de uso normal. Nuestros productos de Bush Furniture no son para uso en exteriores. Esta garantía no cubre: 1) defectos causados por un ensamblaje o desensamblaje inadecuado; 2) defectos que ocurran después de la compra debido a modificación del producto, daño intencional, accidente, mal uso, abuso, negligencia o exposición a los elementos; y 3) costos de trabajo o ensamblaje. 4) las baterías no están incluidas.

LAS GARANTÍAS IMPLICADAS, INCLUYENDO LA GARANTÍA DE COMERCIABILIDAD, NO SE EXTENDERÁN MÁS ALLÁ DE LA DURACIÓN DE LA GARANTÍA ESCRITA MENCIONADA, Y EN NINGÚN CASO BUSH SERÁ RESPONSABLE POR DAÑOS INCIDENTALES O CONSIGUIENTES COMO RESULTADO DEL USO DEL PRODUCTO. Algunos estados no permiten una limitación sobre el tiempo de duración de la garantía implicada o la exclusión o limitación de daños incidentales o consiguientes, de manera que la limitación y exclusión mencionadas pueden no aplicarse para usted.

Esta garantía le otorga derechos legales específicos. Puede también tener otros derechos que pueden variar según los estados.

**6-Year**  
Manufacturer's  
Warranty

Register your product online:

Scan the QR Code or go to  
[https://bushfurniture.com/  
activate-warranty/](https://bushfurniture.com/activate-warranty/)



Assembly tips & how to videos:

Scan the QR Code to access our video  
guides [https://bushfurniture.com/  
help-faq/#assembling](https://bushfurniture.com/help-faq/#assembling)

