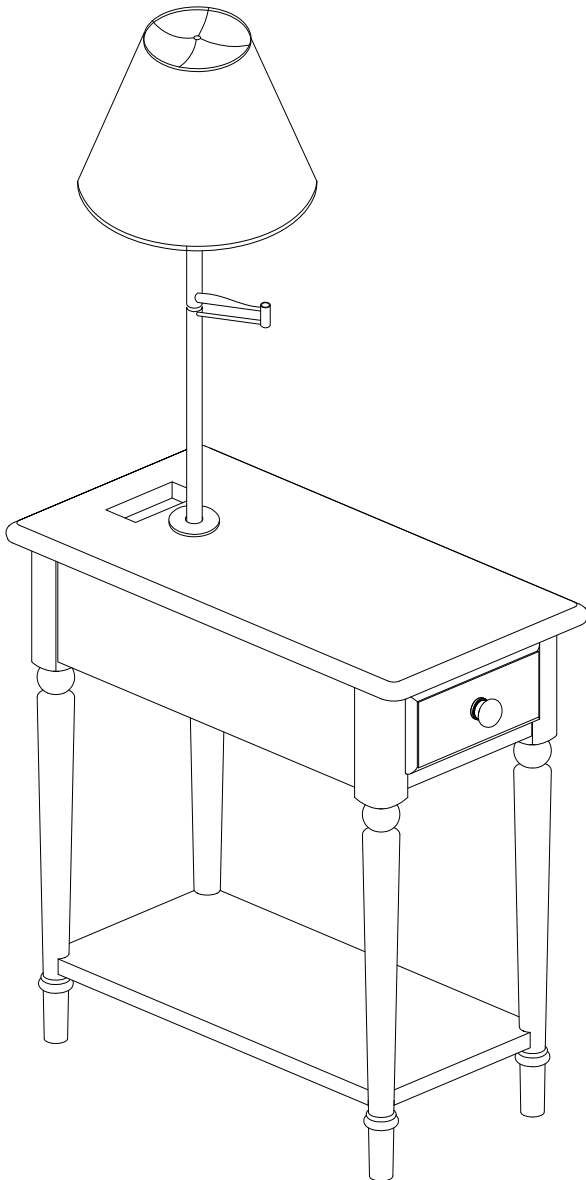


## Assembly Instructions, #20037



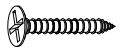
A: Allen Wrench



B: Cap



C: (4) Screws

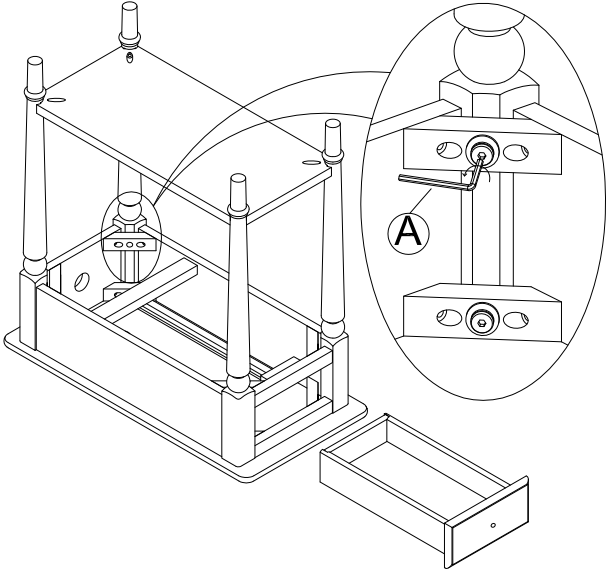


D: Wrench



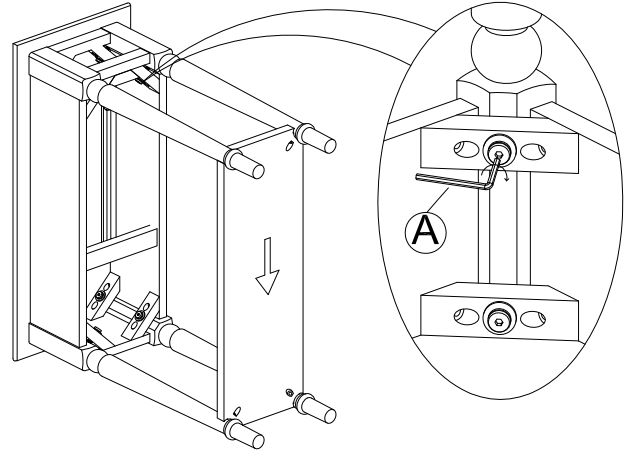
### Step 1

Place the table upside down on a soft surface, take out the drawer and unfasten all 8 bolts on four legs.



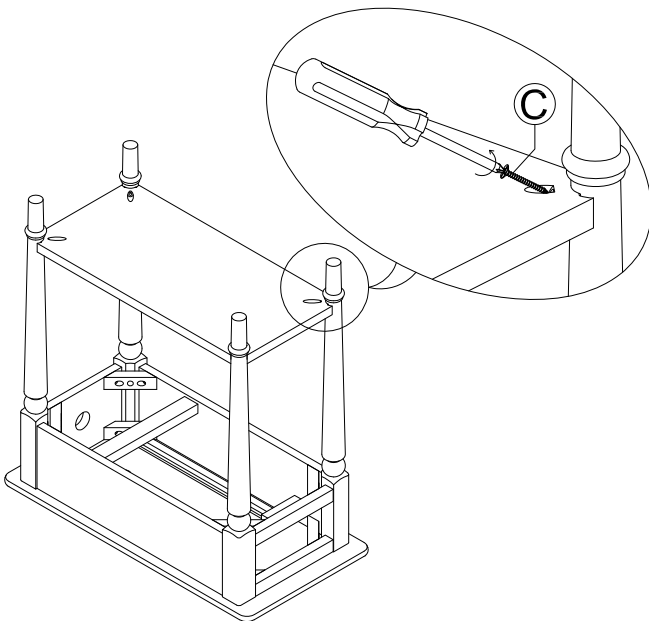
### Step 2

Put the table side up as per following sketch, then insert the shelf on the leg notches. Fasten all legs with bolts.



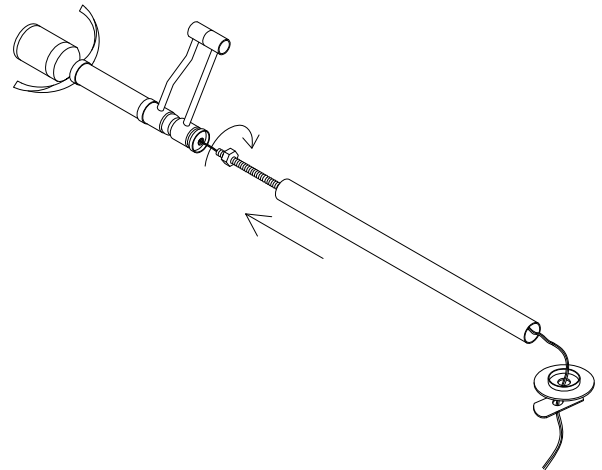
### Step 3

Put the table upside down and fasten shelf with four screws.



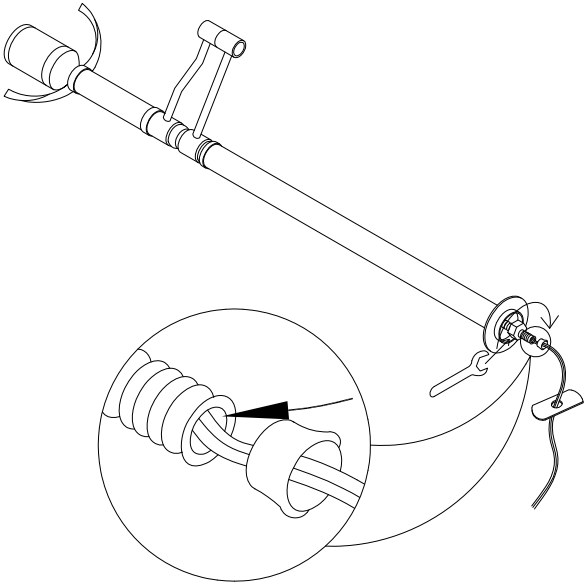
### Step 4

Pull on cord from bottom and slide threaded tube up to swing arm. Turn threaded tube in about three rotations and lock down with nut and wrench.



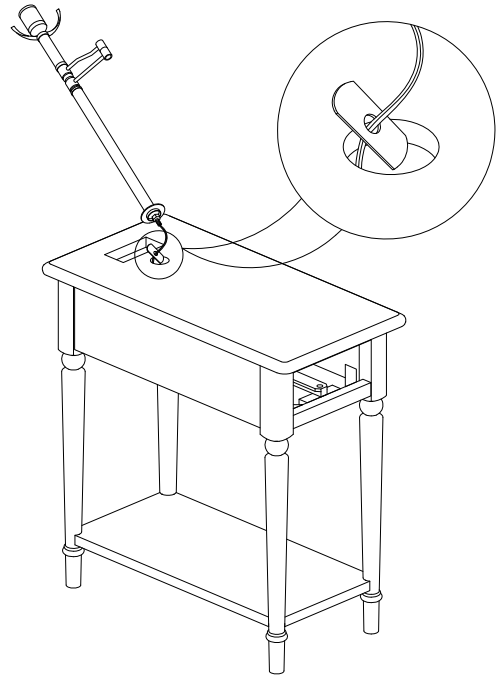
### Step 5

Slide plastic insulator up into bottom of threaded tube. Then slide round flange and nut up to post and tighten.



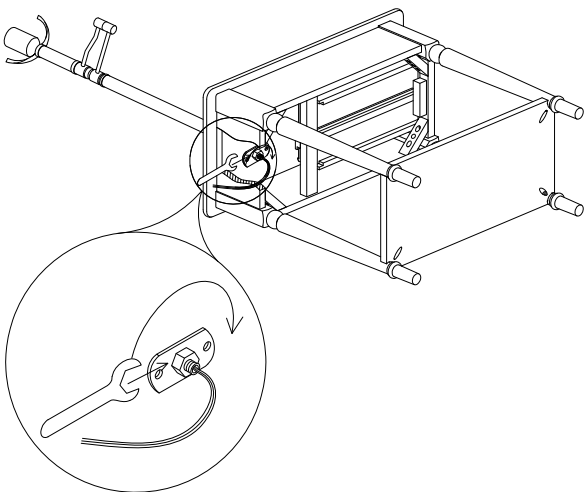
### Step 6

Pull the plug / cord and metal bracket through hole in table top.



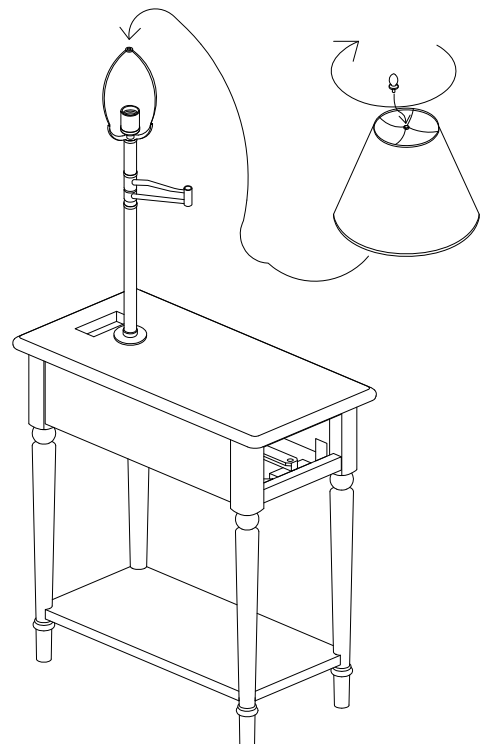
### Step 7

Lay table on it's side. Turn the mounting bracket onto the threaded tube and tighten.



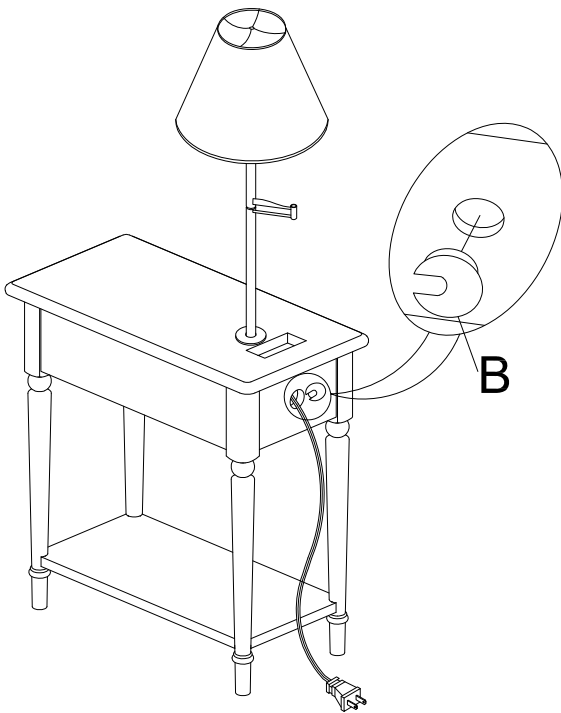
### Step 8

Place the harp into the fixture and install shade.



### Step 9

Pull cord through hole in back of table and insert grommet into hole.



### Step 10

Place the table right side up and insert the drawer. Fasten the knob on outside of drawer front.

