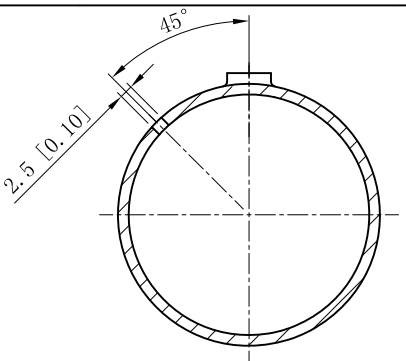
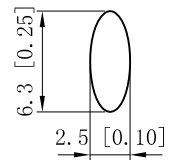


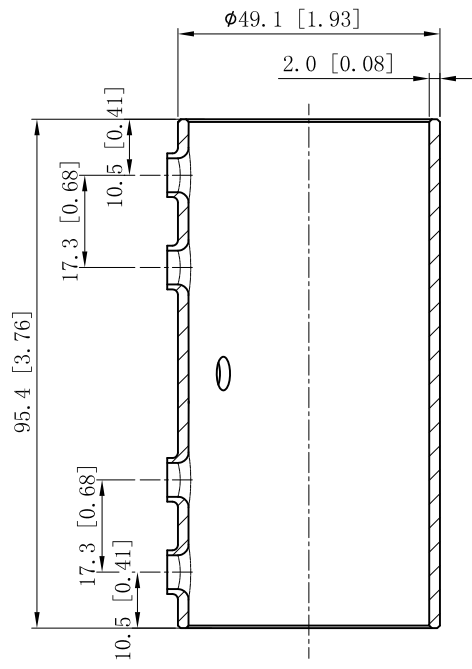
SIDES	BOTTOM
4 PCS #1/4-28×3/8 Screws Installed	
Material:Steel-Welding tube, zinc plated	



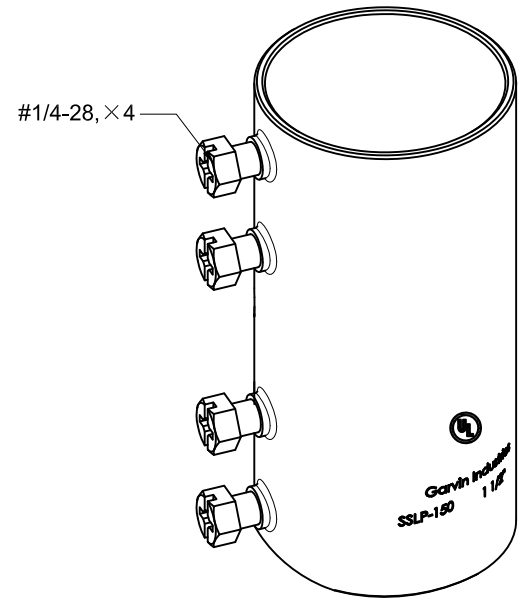
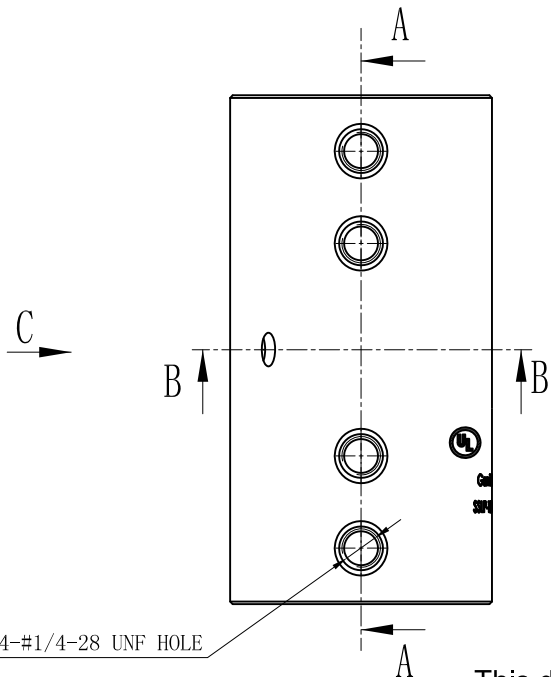
CUTAWAY VIEW B-B



VIEW C
3:1



CUTAWAY VIEW A-A



This data sheet is for reference only .GARVIN INDUSTRIES reserves the right to make changes to the design without prior notice.

DESCRIPTION
TRADE REFERENCE TERMS

STANDARD PACKING	<h1 style="text-align: center;">GARVIN INDUSTRIES</h1>		
	TITLE STEEL EMT SET SCREW COUPLINGS		
	SIZE A4	DWG NO. SSLP-150	REV C
DATA SHEET			
www.garvinindustries.com			