



ASSEMBLY INSTRUCTION

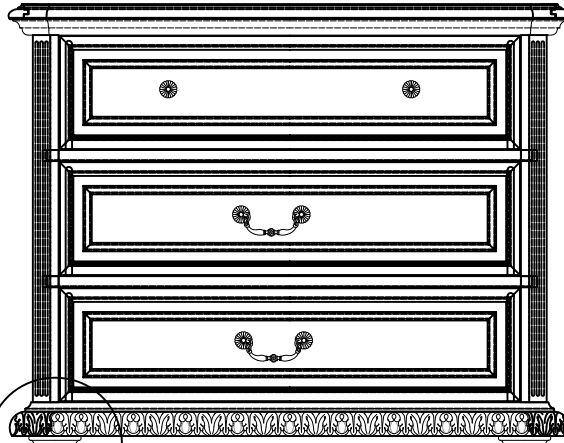
ITEM: 5070-90017 Bachelors Chest

Thank you for purchasing this quality product. Be sure to unpack carefully looking for small parts which may have come loose during shipment.
Read all instruction and study the drawing carefully before starting the assembly process.

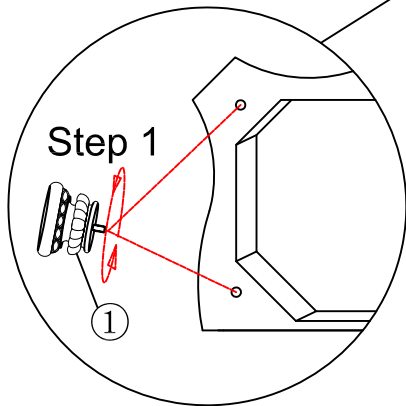
Hardware Pack

Part List

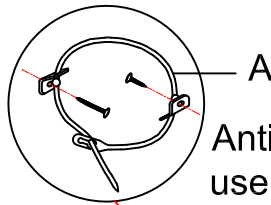
NO.	DRAWING	DESCRIPTION	Q'TY	NO.	DRAWING	DESCRIPTION	Q'TY
A		Anti - Tip Kit	1PC	1		Bun Foot	4PCS



Step 2: Adjust Leveler if needed to level case on uneven floor.



Tipping Restraint



Anti-tip kit is included for use. We recommend installing for safety reason.

