

ITEM #84389

58" Ender Corner TV Stand

Leick Home
SINCE 1910

2219 S. 19th St.

Sheboygan, WI 53081

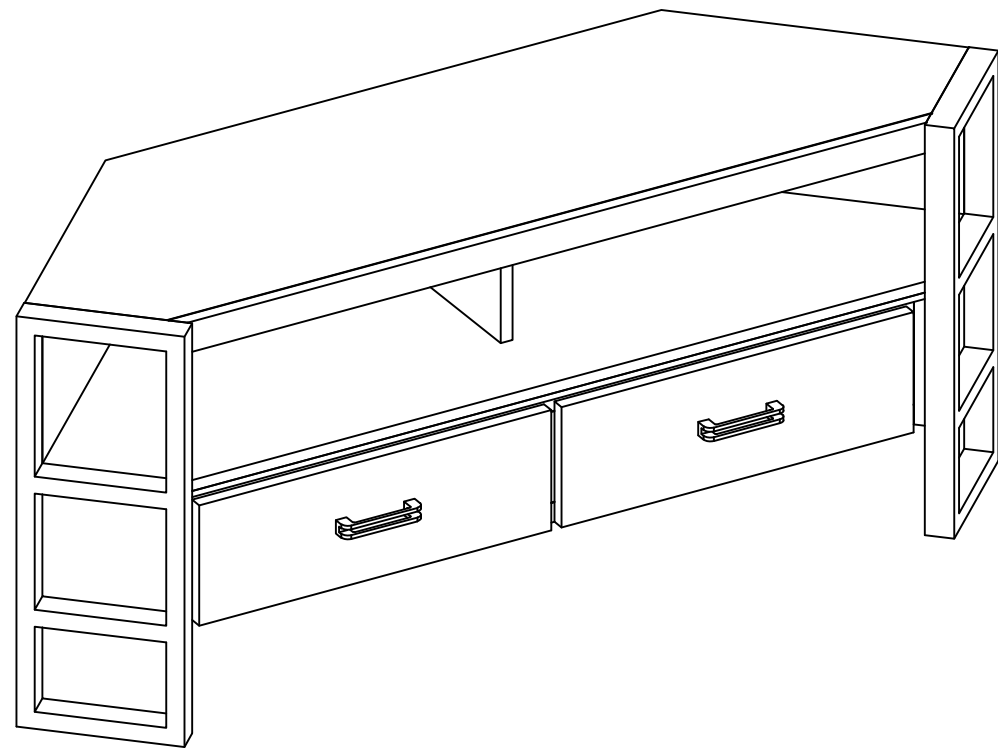
Ph: 800-558-8700

cs@todaysdesignhouse.com

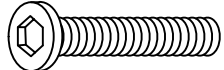
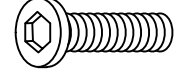
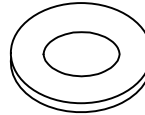


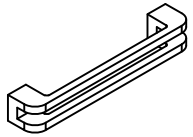
todaysdesignhouse.com

Note:

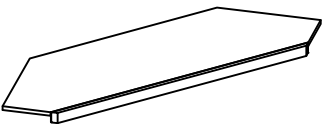
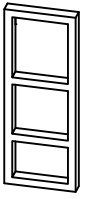
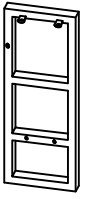
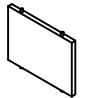
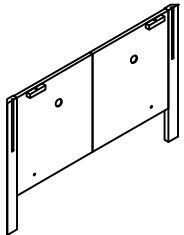
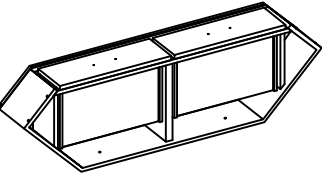

A packet with complete set of hardware can be found by pulling the red ribbon that's easily visible upon opening the box.



Hardware List

Item	Hardware	Description	Quantity
1		Long Bolt 1/4"x1-1/8"	10PCS
2		Short Bolt 1/4"x1/2"	4PCS
3		Flat Washer 1/4"x12mm	14PCS
4		Allen Wrench	1PC
5		Machine Screw M4x35mm	4PCS
6		Drawer Pull	2PCS

Parts List

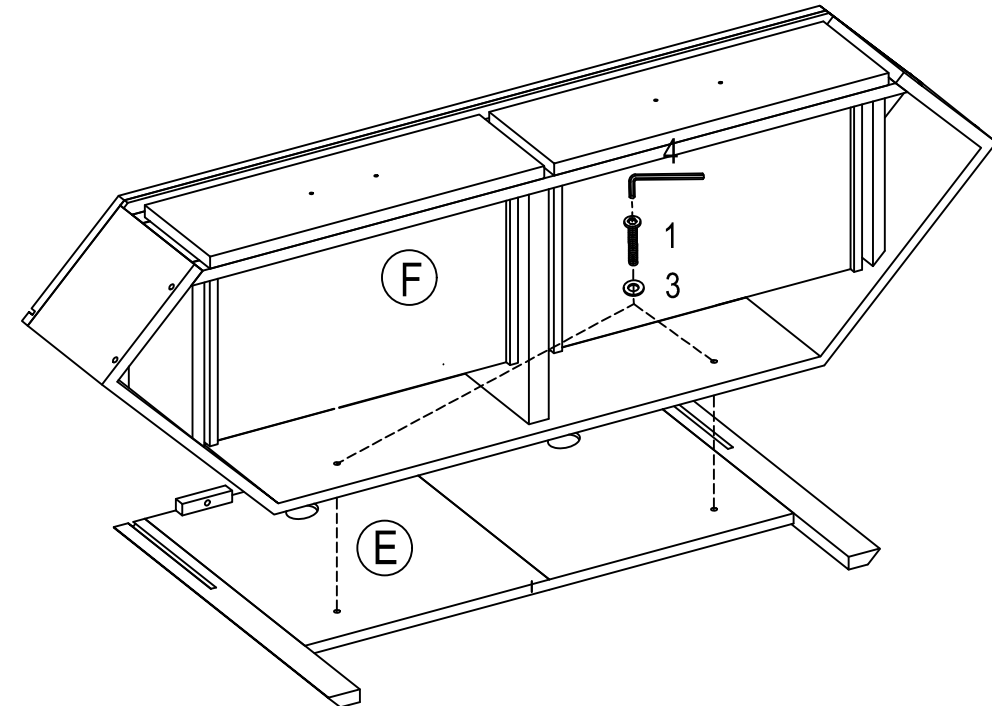
Item	Parts	Description	Quantity
A		Top Panel	1PC
B		Left Side Frame	1PC
C		Right Side Frame	1PC
D		Center Partition	1PC
E		Back Frame	1PC
F		Drawer Box	1PC
G		Side Back Panel	2PCS

Assembly Steps

Two person assembly recommended.

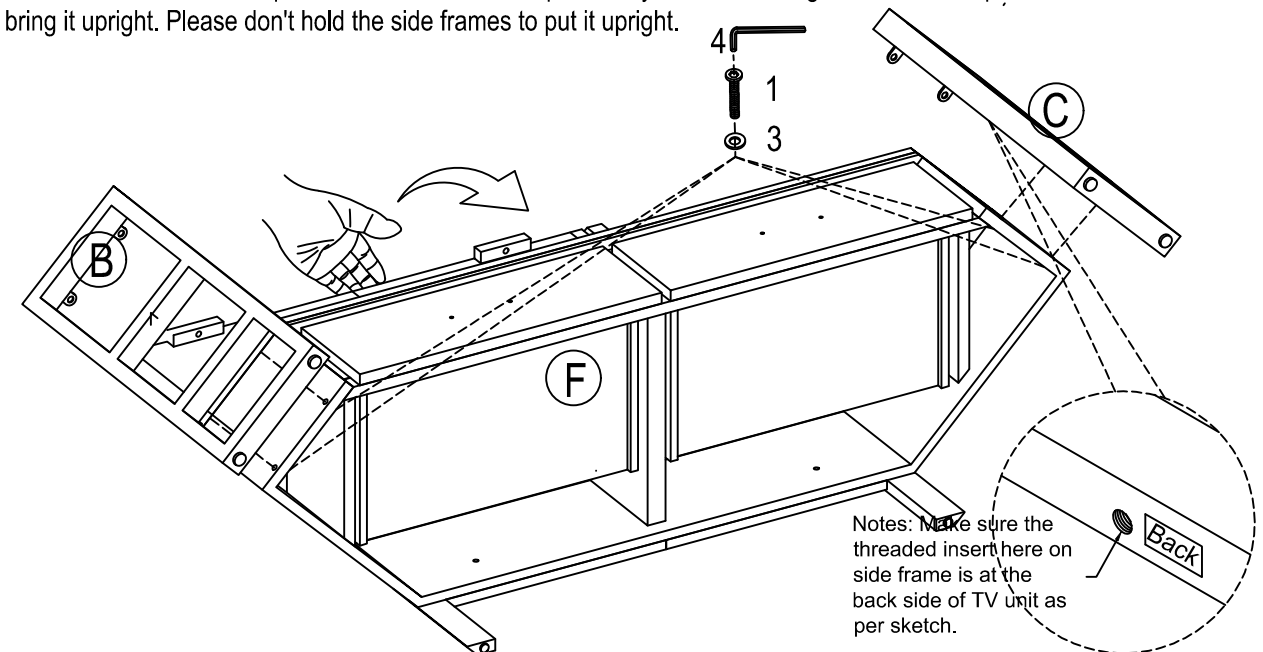
Step 1

1.1 Lay back frame (E) on its back as per following sketch. Align the holes at the back of drawer box (F) onto the holes at the back frame (E).
1.2 Fasten the drawer box to the back frame through holes with two long bolts and flat washers. Tighten.



Step 2

2.1 Place left side frame (B) onto the assembled unit with threaded insert facing the back side of unit. Fasten it with two long bolts and flat washers. Do not tighten.
2.2 Do the same thing as step 2.1 to fasten the right side frame (C). Do not tighten.
2.3 Ask for someone's help to lift the back frame's top carefully and while tilting the assembled parts to bring it upright. Please don't hold the side frames to put it upright.

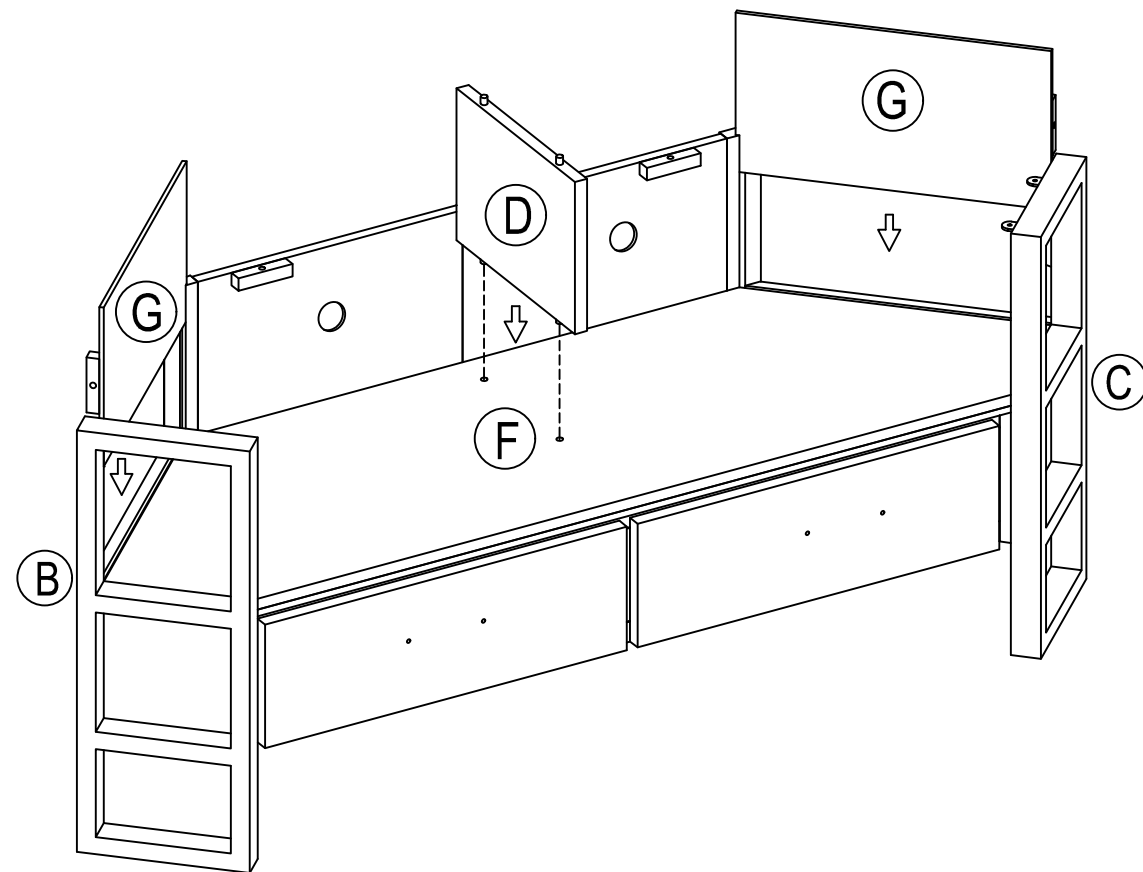


Assembly Steps

Two person assembly recommended.

Step 3

- 3.1 Insert two side back panels (G) into back panel and the grooves on drawer box.
- 3.2 Insert the wood dowels of center partition (D) onto the holes on drawer box.

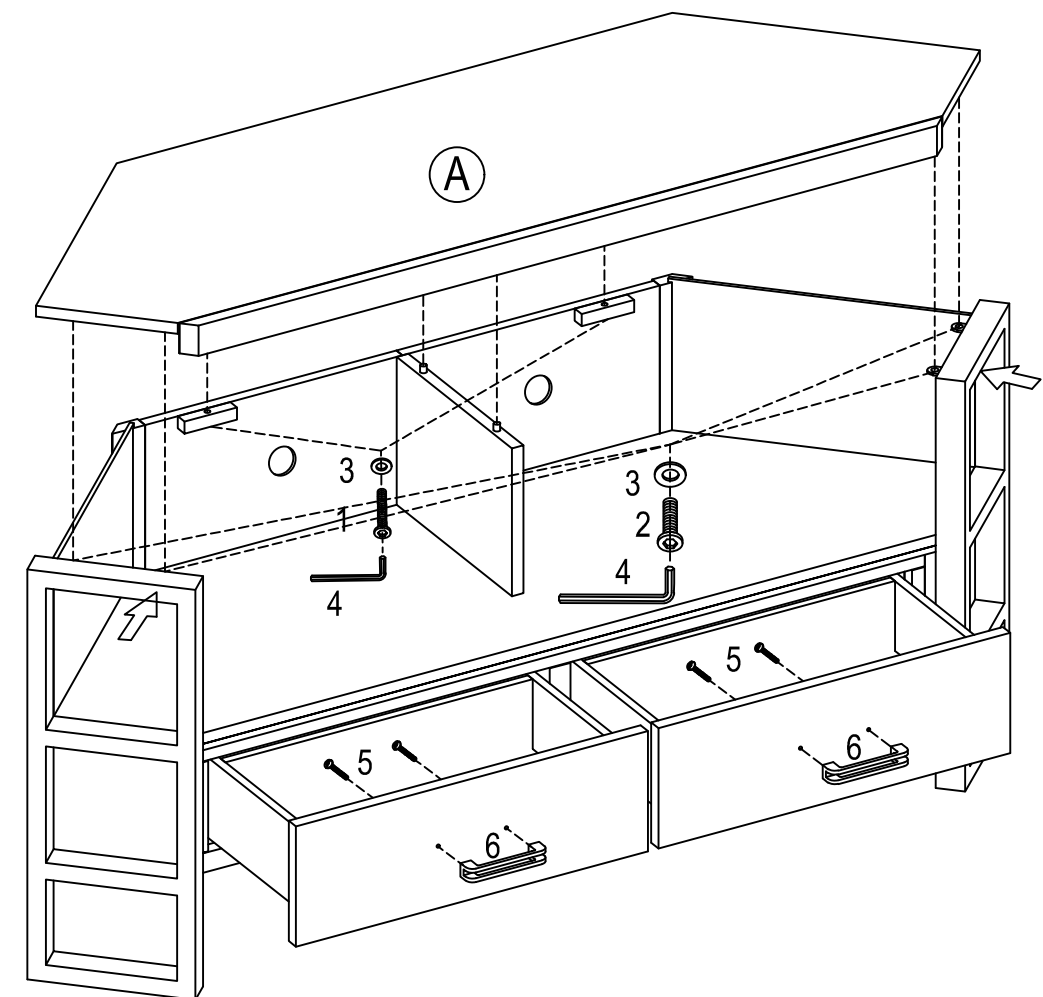


Assembly Steps

Two person assembly recommended.

Step 4

- 4.1 Place the top panel (A) on the assembled unit with all the partition's wood dowels are fully inserted onto the holes.
- 4.2 Push the side frame's upper edge inward as shown by the arrow and fasten the top panel (A) with four short bolts. Tighten.
- 4.3 Open two drawers from bottom with fingers and fasten two drawer pulls with machine screws.

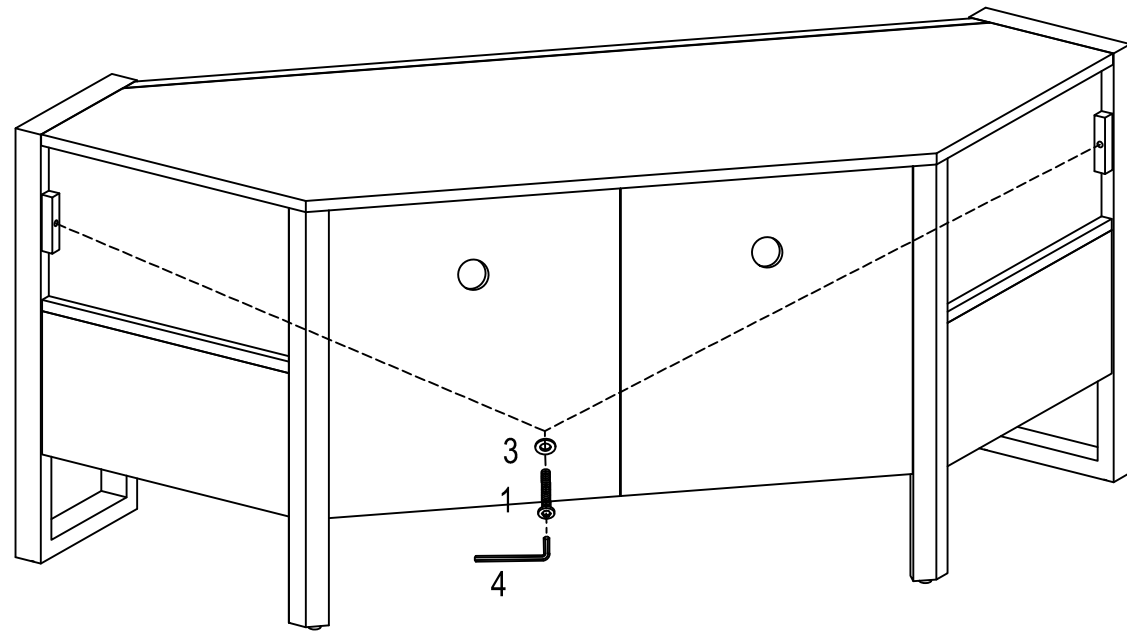


Assembly Steps

Two person assembly recommended.

Step 5

Use two long bolts to fasten the side back panels and metal frame.



Step 6

6.1 Lay the TV unit on its back, tighten four bolts in step 2.1 and step 2.2

6.2 Place the TV unit upright, adjust the levelers on the bottom of side frame if needed.

