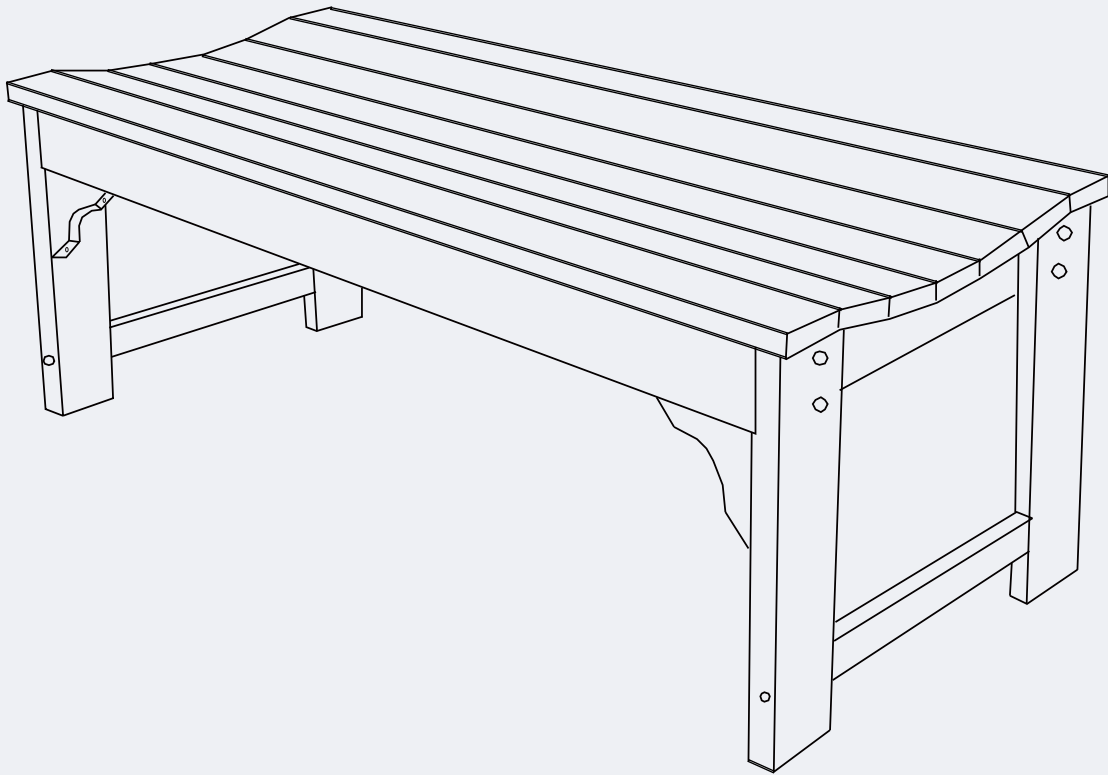


INSTRUCTION MANUAL



Poly Garden 48" Backless Bench

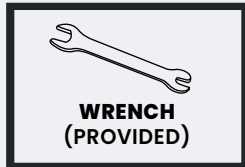
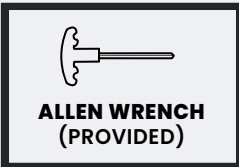
V1.0

! CARE & MAINTENANCE

Do not overtighten screws. (Insert all screws before tightening screws.)

- Please do not exceed the weight limitations of this item.
- Do not stand on or use any part of this item as a step ladder.
- Firmly secure all bolts, screws and nuts before use.
- Reconfirm that all bolts, screws, and nuts are secure every 90 days.
- Do not use or store this item in the proximity of open flame or flammable/combustible chemicals.
- Be aware that some parts are heavy and have sharp edges.

TOOLS REQUIRED



**BENCH
660 LBS
CAPACITY**

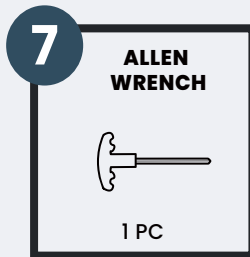
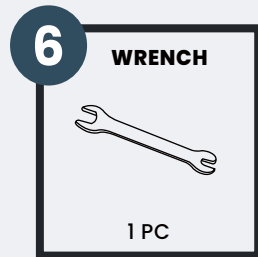
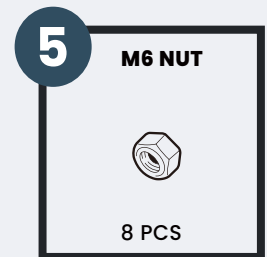
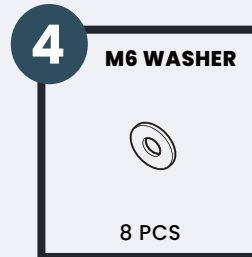
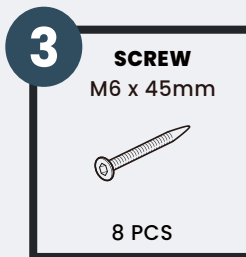
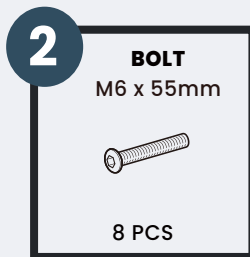
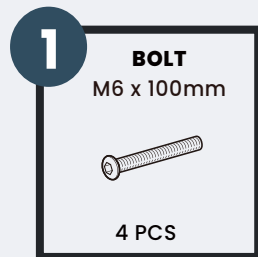


**1 PERSON
ASSEMBLY**

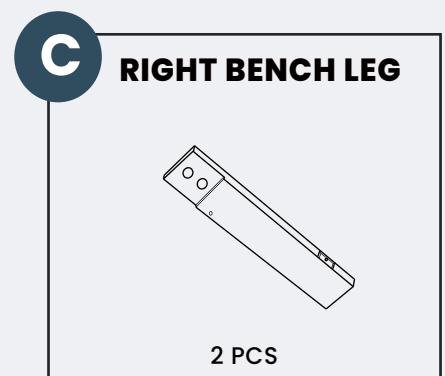
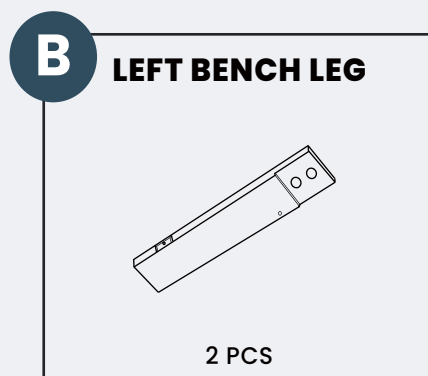
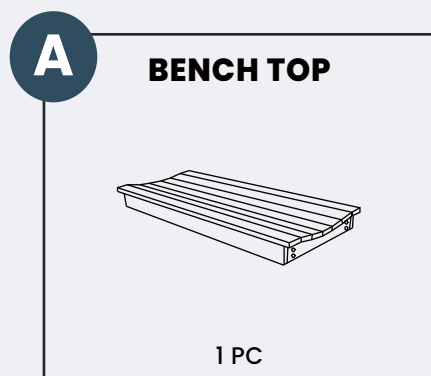


**UP TO 30 MIN.
ASSEMBLY**

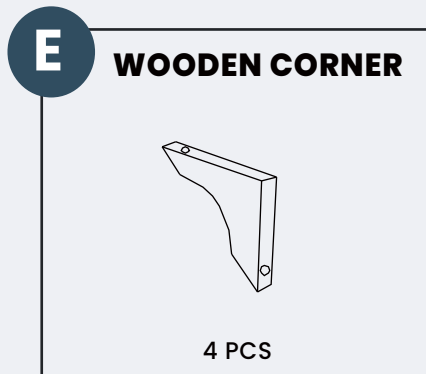
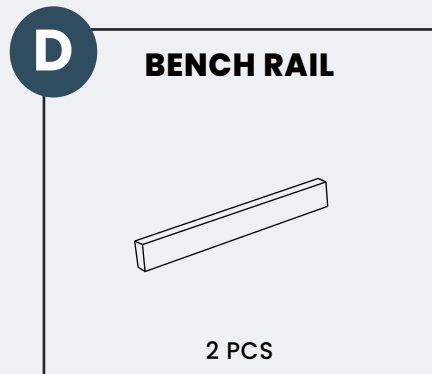
HARDWARE



PARTS



PARTS

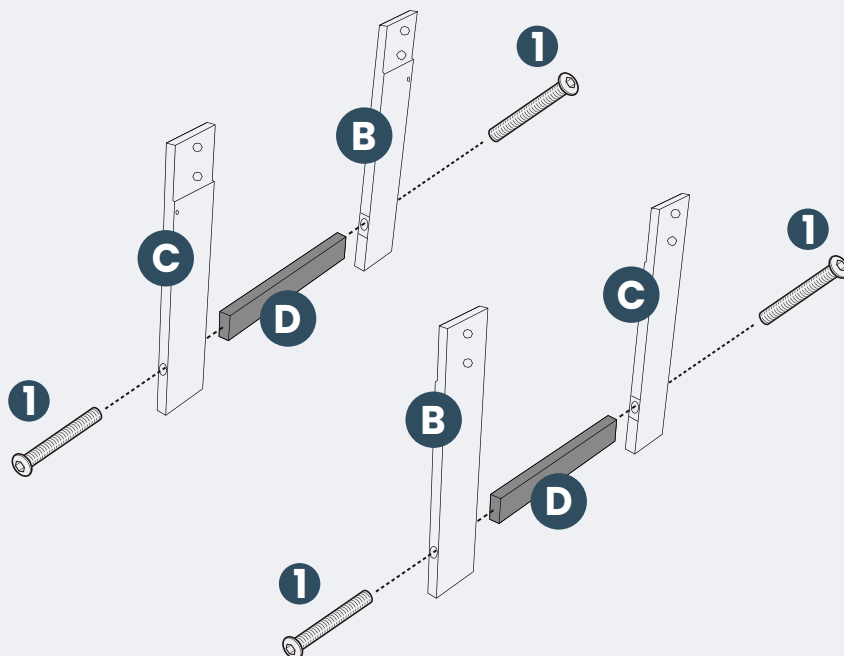


PRODUCT ASSEMBLY

- 1 Attach **Part D Bench Rail** to **Part B Left Bench Leg** and **Part C Right Bench Leg** with 2 PCS of **Hardware #1 Bolt**.

Do the same to another Bench Rail and the other two Legs.

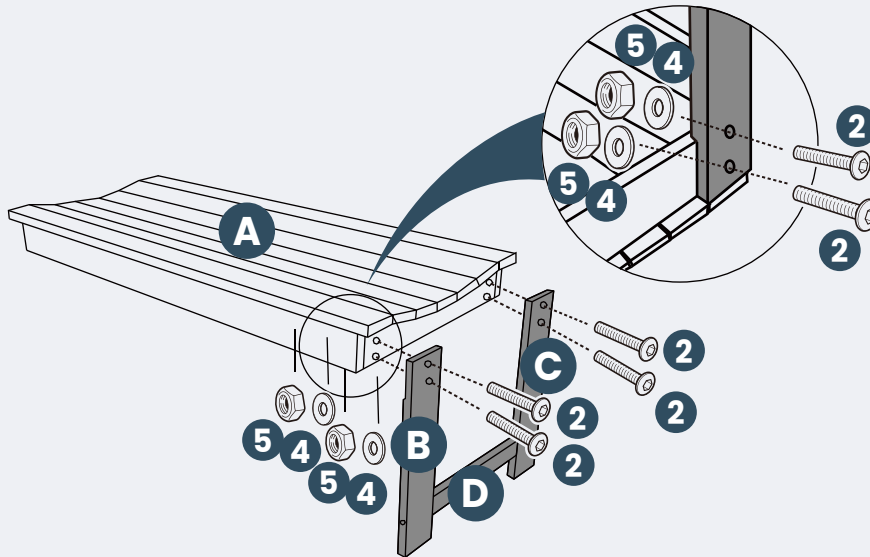
Do not tighten bolts too much at this stage.



PRODUCT ASSEMBLY

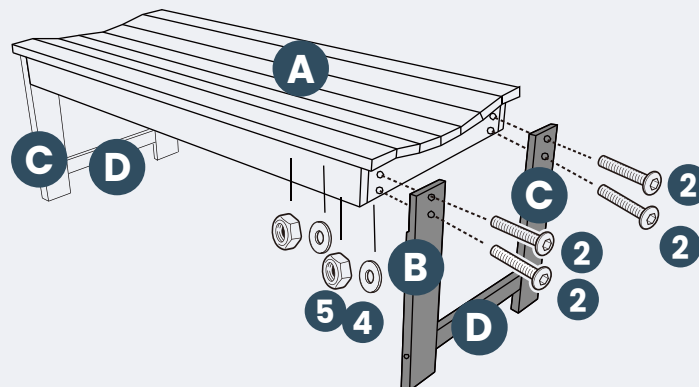
2

Attach the combined legs (**Part B+C+D**) to **Part A Bench Top** with 4 PCS of **Hardware #2 Bolt**, **Hardware #4 Washer** and **Hardware #5 Nut**.



3

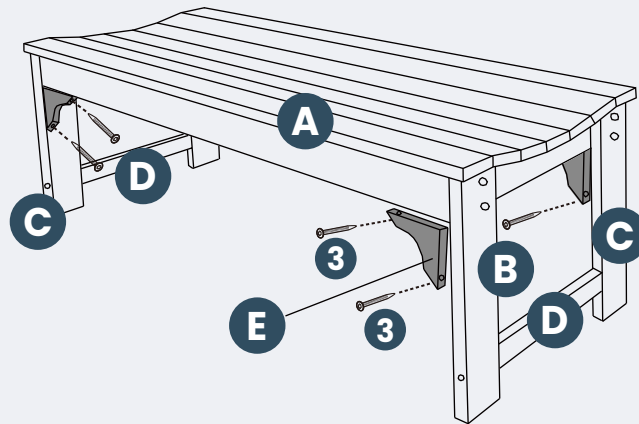
Attach another combined legs (**Part B+C+D**) to **Part A Bench Top** with 4 PCS of **Hardware #2 Bolt**, **Hardware #4 Washer** and **Hardware #5 Nut**.



PRODUCT ASSEMBLY

4

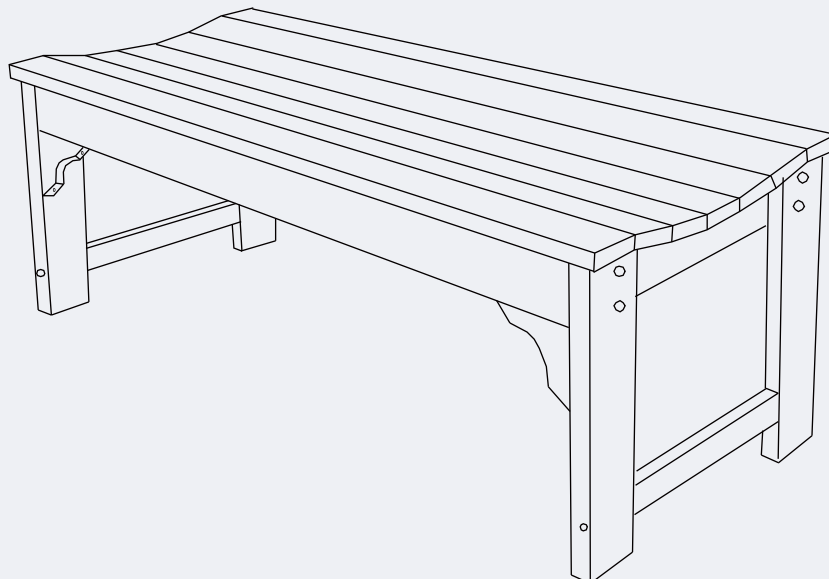
Fix 4 PCS of **Part E Wooden Corners** to the combined legs (**Part B+C+D**) and the rail of **Part A Bench Top** with 8 PCS of **Hardware #3 Screw** as below.



5

Tighten all the bolts and nuts again for your secure usage.
Avoid overtightening, as doing so can cause damage to the product.

Thanks for purchasing this bench, enjoy it.



CLEANING TIPS

REGULAR CLEAN: Use a mixture of warm water and mild soap. Gently scrub the surface with a soft bristle brush to remove any dirt or stains.

QUICK CLEAN: You can simply wipe down the furniture with a damp cloth.

Regular cleaning not only preserves the aesthetic appeal of your furniture, but also helps extend its lifespan.