





ASSEMBLY INSTRUCTION

Item#: 638-85398-MWD Fairfax Credenza

**** Please make sure you have all parts indicated below prior to assembly.
This unit is heavy and can best be assembled with the help of two or more people.**

NO	HARDWARE LIST		Q'TY
A		ALLEN WRENCH	1
B		BOLT	8
C		LOCK WASHER	8
D		FLAT WASHER	8

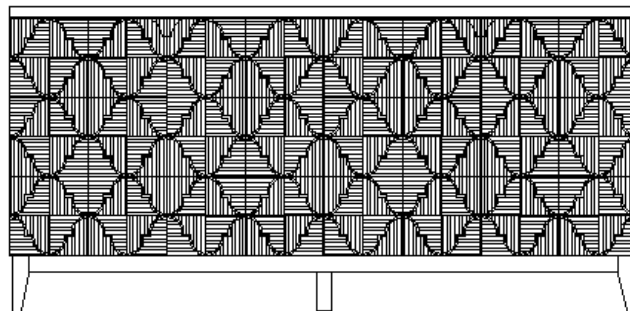


Diagram 1

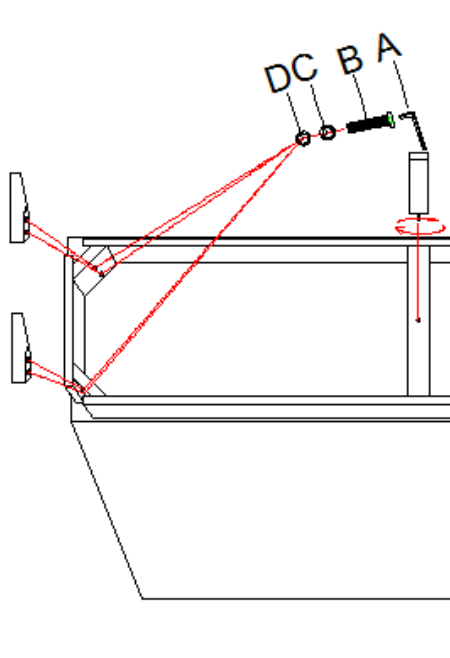


Diagram 2

Assembly steps:

1. Place credenza top upside down on a soft place to prevent it from being scratched.
2. Follow numbers on legs and corner blocks. Attach legs to credenza by using flat washer (D), lock washer (C) and bolt (B), secure by turning with allen wrench (A) in a clockwise direction. (See diagram 1)
3. Then screw center leg into the hole in a clockwise direction tightly. (See diagram 2)
4. Turn credenza upright.

Cleaning Instruction: Clean finished parts with a damp cloth using a mild dishwashing liquid and water solution. Polish the finish with soft cloth and an industry recognized furniture polish.