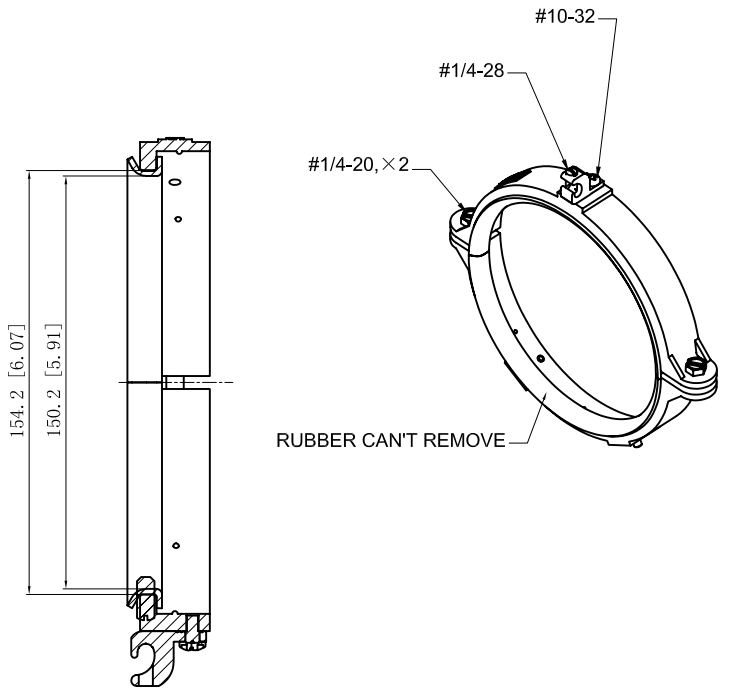
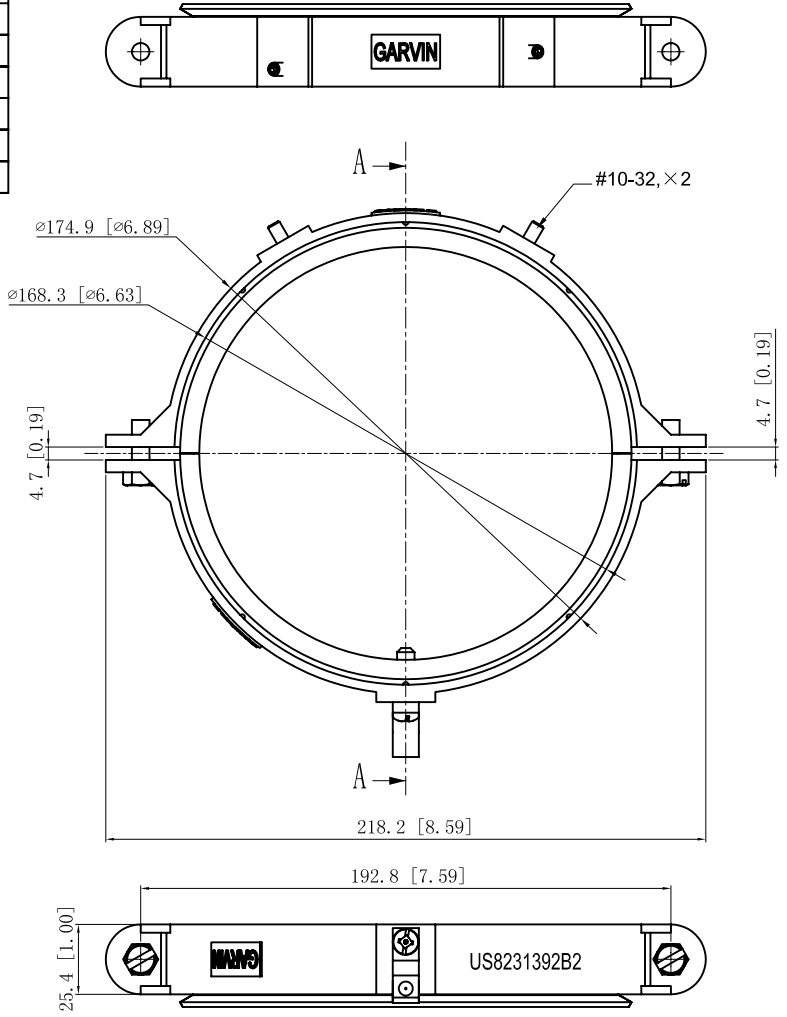
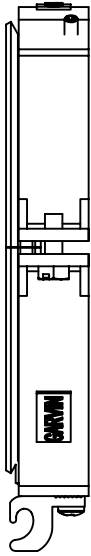


SIDES	BOTTOM
1 PCS 10-32×3/8 Screws Installed	
1 PCS 1/4-28×5/8 Screws Installed	
2 PCS 1/4-20×3/4 Screws Installed	
2 PCS #10-32×1/2 Set Screws Installed	
Material:Zamak-ZAMAK 3	



DESCRIPTION	Patent Pending: US8231392B2
TRADE REFERENCE TERMS	

STANDARD PACKING	10 PCS

This data sheet is for reference only .GARVIN INDUSTRIES reserves the right to make changes to the design without prior notice.

TITLE			REV
GROUND CHOKE			
SIZE	DWG NO.		
A4	SGB600		
DATA SHEET			