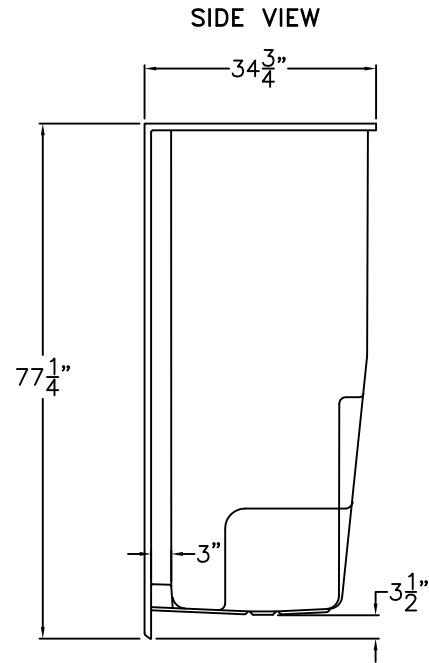
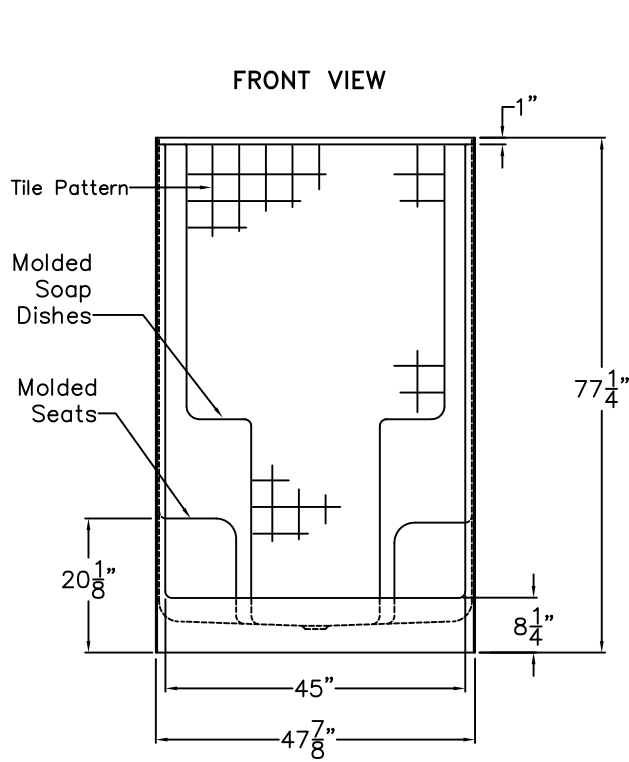
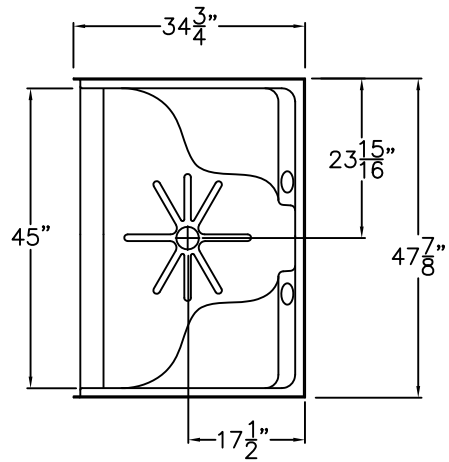


# LUXURY GELCOAT SERIES

## SUBMITTAL DATA



TOP VIEW



### Simulated Tile Gelcoat Shower

The shower enclosure shall be Praxis Model S644 center. Finished surface shall be of a sanitary-grade polyester Gelcoat exhibiting a minimal thickness of 15 dry mils, and a finished cured Barcol hardness of 80-90 as tested with ASTM D-2583. Unit construction shall be of molded reinforced fiberglass with a 15% minimum fiberglass content. The base shall be attached to the sump of the unit in such a manner to form an integral part with an inner and outer coating of reinforced polyester resin. The unit shall meet HUD, FHA, BOCA, CSA B45.5, IAPMO Z124-11, Home Innovation Research Lab, UPC, and shall meet the requirements of the Southern Building Code.

The unit shall have outside dimensions of 47 7/8" x 34 3/4" x 77 1/4".

The enclosure shall be equipped with the following factory installed accessories:

- 1) Molded seats,
- 2) Molded soap dishes,
- 3) Tile pattern on the back wall,
- 4) 8 1/4" Threshold.

DUE TO THE NATURE OF THE MATERIALS  
DIMENSIONS MAY VARY ± 1/2"

|                         |                |                                  |
|-------------------------|----------------|----------------------------------|
| Model:                  | <b>PRAXIS</b>  |                                  |
| Approved by Print Name: | Drawing#: S644 |                                  |
| Approved by Signature:  | Date Approved: | Date: 7-18-96    Revised: 6-4-14 |
| Rep.:                   | Wholesaler:    | Quote No.:                       |

PRAXIS INDUSTRIES, INC.  
435 INDUSTRIAL RD - SAVANNAH, TN 38372  
1 (800) 443-7269 - FAX (901) 925-4290