

MODEL 244

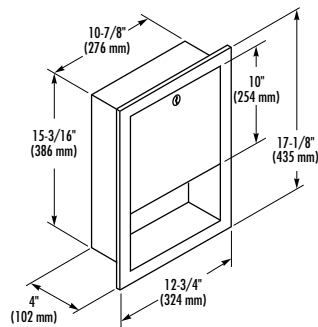


Constructed of architectural satin finish stainless steel. Dispenses 800 multi-fold or 600 C-fold towels.

Rough wall opening 12.5" W x 26.625" H x 4" D (318 x 676 x 102 mm)

-10 Semi-Recessed 2" (51 mm) in wall, projects 2" (51 mm) from wall

-11 Surface-Mounted projects 4" (102 mm) from wall



MODEL 2441

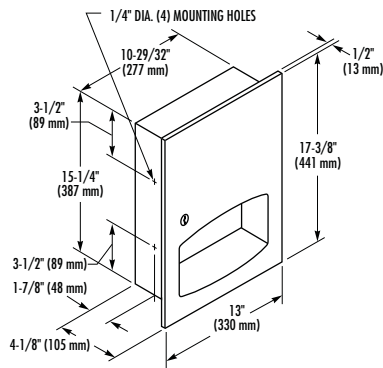


Constructed of architectural satin finish stainless steel. Dispenses 475 multi-fold or 350 C-fold towels.

Rough wall opening 11.375" W x 15.6875" H x 4" D (289 x 398 x 102 mm)

-10 Semi-Recessed 2" (51 mm) in wall, projects 2" (51 mm) from wall

-11 Surface-Mounted projects 4" (102 mm) from wall



MODEL 2442



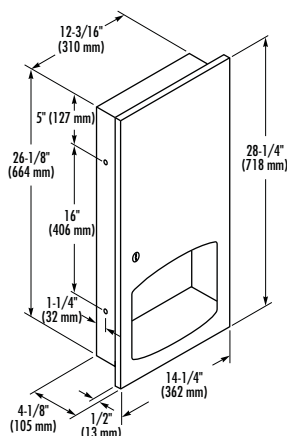
Contemporary Series

Constructed of architectural satin finish stainless steel. Dispenses 400 multi-fold or 300 C-fold towels.

Rough wall opening 11.40625" W x 15.75" H x 4" D (290 x 400 x 102 mm)

-10 Semi-Recessed 2.125" (54 mm) in wall, projects 2" (51 mm) from wall

-11 Surface-Mounted projects 4.125" (105 mm) from wall



MODEL 2447



Contemporary Series

Constructed of architectural satin finish stainless steel. Dispenses 800 multi-fold or 500 C-fold towels.

Rough wall opening 12.6875" W x 26.625" H x 4" D (322 x 676 x 103 mm)

-10 Semi-Recessed 1.625" (41 mm) in wall, projects 2.5" (64 mm) from wall

-11 Surface-Mounted projects 4.125" (105 mm) from wall