

# EVERYTHING YOU NEED TO KNOW ABOUT YOUR



## PERFORMANCE XLT GAS GRILL



MODELS XOGRILL32XLT | XOGRILL40XLT

### CARE & USE / INSTALLATION

RESIDENTIAL USE ONLY / HOMEOWNERS COPY

I worked really hard  
on this manual -  
so please read it...





When buying any XO appliance you can be confident you have chosen a high quality, innovative and stylish product from a company that cares about you! If you require service or have questions, Help is only a phone call away -  
**call: 973-403-8900**  
Talk to one of our appliance experts.



## **CONGRATULATIONS**

on purchasing your XO.  
Before you proceed, take just a moment to register your XO at:

[www.xoappliance.com/register-your-product/](http://www.xoappliance.com/register-your-product/)

Or simply scan here to be taken to the registration page...



### **REGISTRATION HELPS YOU BY -**

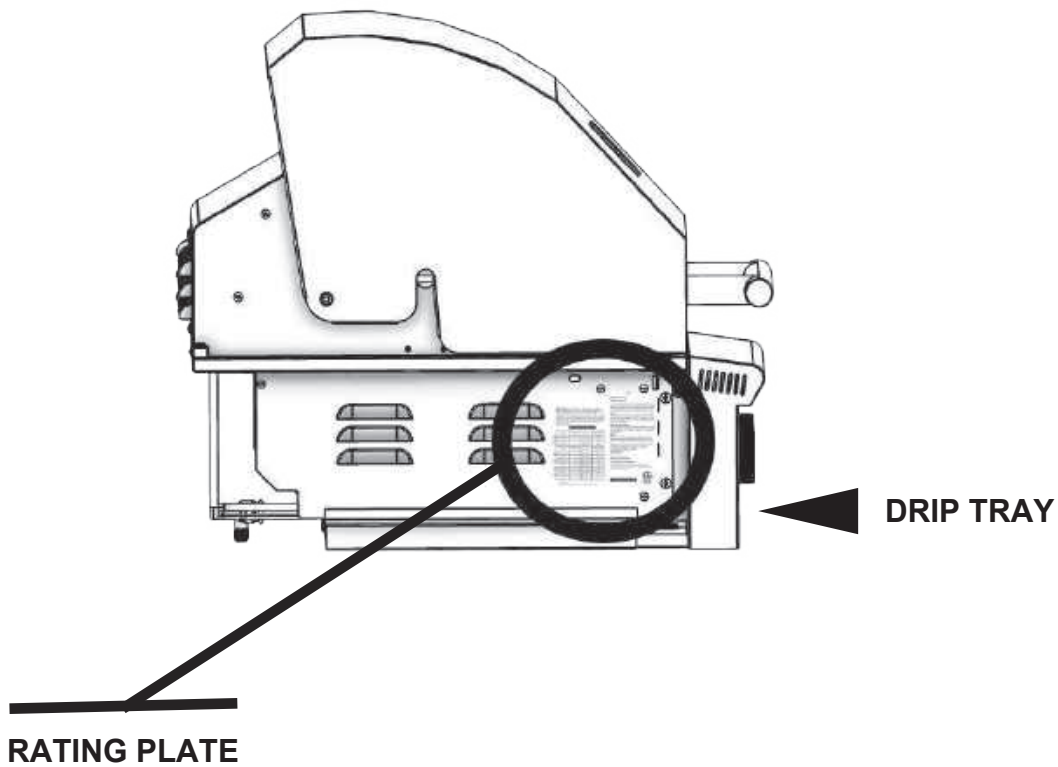
Ensuring warranty coverage should you need service  
Providing ownership verification for insurance purposes  
XO can notify you in the event of product changes or recalls.

# MODEL AND SERIAL NUMBER

You may require service or parts one day - take a minute to locate and record some important info about your grill.

- Model number
- Date of purchase
- Proof of purchase by the original owner
- Serial number

The serial number can be located on the rating plate which is located on the left side of the grill or on the pull-out drip tray lighting instructions and also on the underside of the drip tray.



**TAKE A MINUTE TO CIRCLE YOUR MODEL ABOVE AND RECORD YOUR SERIAL NUMBER HERE IN CASE YOU NEED IT LATER**

➡



## DANGER

Read and follow the instructions in this manual fully and completely before installing, servicing or operating the grill to reduce the risk of :

1. Fire
2. Personal injury or property damage
3. Improper installation

**THIS PRODUCT IS DESIGNED FOR OUTDOOR USE ONLY.** Do not install or operate indoors, inside a garage, in a screened in porch, gazebo, or any other enclosed area. This outdoor cooking gas appliance is not intended to be installed in or on recreational vehicles , boats or in a non-ventilated room. Failure to operate this product in a well ventilated area can cause property damage, injury or death. Keep the area surrounding the grill clear and free from combustible materials, gasoline and other flammable vapors and liquids.



## WARNING

Do not store or use gasoline or other flammable liquids or vapors within 25' of this or any gas appliance.

Do not store or install additional propane tanks within 10' of this or any other gas appliance.

The installation must conform with local codes or, in the absence of local codes, with either the National Fuel Gas code, ANSI Z223.1/NFPA 54 or the National Gas and Propane installation code, CSA B149.1, or the Propane Storage and Handling Code, CSA B149.2, or the Standard for Recreational Vehicles, ANSI A119.2/ NFPA, and CSA Z240 RV Series, Recreational Vehicle Code as applicable.



## CAUTION

1. The outdoor cooking gas appliance and its individual shutoff valve must be disconnected from the gas supply piping system during any pressure testing of that system at test pressures in excess of 0.5 psi (3.5 kPa).
2. The outdoor cooking gas appliance must be isolated from the gas supply piping system by closing it individual manual shutoff valve during any pressure testing of the gas supply piping system at test pressures equal to or less than 1/2 psi (3.5 kPa).



## DANGER

**IF YOU SMELL GAS:**

1. Shut off gas to the appliance.
2. Extinguish any open flame.
3. Open the lid and doors to the cart or island.
4. If odor continues, keep away from the appliance and immediately call your gas provider or your local fire department.



## NOTICE: COMMONWEALTH OF MASSACHUSETTS

1. Massachusetts requires all gas be installed using a plumber or gas fitter carrying the appropriate Massachusetts license.
2. All permanently-installed natural gas or propane installations require a “T” handle type manual gas manual gas valve be installed in the gas supply line to this appliance.
3. This does not apply to portable propane installations using a 20 pound cylinder.



## WARNING! CALIFORNIA PROPOSITION 65

The burning of gas cooking fuel generates some by-products which are on the list of substances which are known by the State of California to cause cancer or reproductive harm.

California law requires businesses to warn customers of potential exposure to such substances. To minimize exposure to the substances, always operate this unit according to the use and care instructions found in this manual. Be certain to provide adequate ventilation when cooking.

Warning: Handling the brass material on this product exposes you to lead, a chemical known to the state of California to cause cancer, birth defects or other reproductive harm. (Wash hands after handling this product.)

**For more information go to this website  
[www.P65warnings.ca.gov](http://www.P65warnings.ca.gov)**



## CAUTION

- Never leave children unsupervised around the XO grill.
- Pre-heating for more than 15 minutes may overheat and cause damage to the grill.
- Never cover slots, holes, or passages in the grill fire box or cover an entire rack with material such as aluminum foil. Doing so blocks air flow through the oven and may cause carbon monoxide poisoning. Aluminum foil linings may trap heat causing a fire hazard.
- Do not leave the grill unattended.

# THANK YOU FOR CHOOSING XO



As you unbox your new grill, please take a moment to make certain all the parts are included and there was no damage in shipping. Need help or spare parts? For fastest service, contact XO at 1-800-966-8300 or [www.xoappliance.com](http://www.xoappliance.com) Do not return to the retailer. Please recycle when you dispose of the packing materials.



One of the fastest and easiest ways to get help is to visit our YouTube Channel which has lots of useful How To videos -

Just scan the QR Code or go to

<https://www.youtube.com/channel/UCT-lp-dM9hoPydpxZfrZzRA>



## Warning: Heavy Weight Hazard!

Use two or more people to move, assemble, or install the grill to avoid back injury. Never leave children unattended near the grill or cabinets.



THIS INSTRUCTION MANUAL CONTAINS IMPORTANT INFORMATION NECESSARY FOR THE PROPER ASSEMBLY AND SAFE USE OF THE APPLIANCE. READ AND FOLLOW ALL INSTRUCTIONS AND WARNINGS BEFORE ASSEMBLING AND USING THE APPLIANCE. FOLLOW ALL WARNINGS AND INSTRUCTIONS WHEN USING THE APPLIANCE. FAILURE TO INSTALL AND OPERATE THIS UNIT IN ACCORDANCE WITH THESE INSTRUCTIONS CAN CAUSE PROPERTY DAMAGE, INJURY OR DEATH.

# INSTALLATION, CARE AND USE OF YOUR XO PERFORMANCE COOKING PRODUCT

THIS MANUAL MUST REMAIN WITH THE PRODUCT OWNER FOR FUTURE REFERENCE.

This manual covers the following XO products:



XOGRILL32XLT L/N



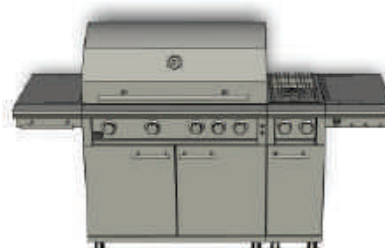
XOGRILL40XLT L/N



XOG32CARTXLT (CART)



XOG40CARTXLT (CART)



XOGSIDEBXLT (SIDE BURNER CART)

## **FOR OUTDOOR RESIDENTIAL USE ONLY**

IMPROPER INSTALLATION, ADJUSTMENT, ALTERATION, SERVICE OR MAINTENANCE CAN CAUSE PROPERTY DAMAGE, INJURY OR DEATH. READ THIS MANUAL THOROUGHLY BEFORE INSTALLATION, USE OR SERVICING OF THIS EQUIPMENT

## **NOTE TO INSTALLER**

This manual must remain with grill. Check your local building codes for proper method of installation. In the absence of local codes, this unit should be installed in accordance with National Fuel Gas Code No. ANSI Z21.58D-2002 USA or CAN/CGA-B149.1/.2 Natural Gas/Propane Code. (Canada) latest edition or the National Electrical Code ANSI/NFPA No. 70 or the Canadian Electrical Code CGA 1.6b2005 or latest edition.

Please note: Pictures and Information may change without notice.

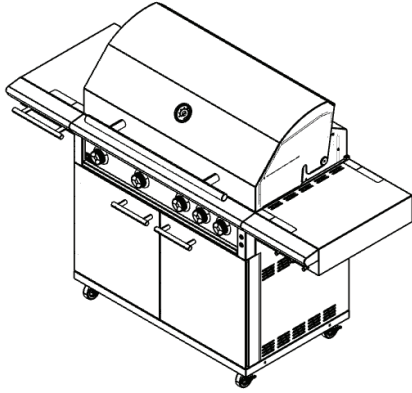


# WHERE THINGS ARE

Product Registration.....	2
Warnings.....	3-5
Link - How To Videos.....	6
Models.....	7
Product Features.....	9
Specifications.....	10
Dimensions.....	11-12
Safety.....	13
Grill Location - Clearances.....	14
Factoring in Wind Direction.....	15
Overhead Construction.....	16
Outdoor Rated Hoods.....	17
Cutout Dimensions.....	18
Insulated Jacket Installation.....	19
Outdoor Island Venting.....	20
Electrical Hook Up.....	21
Before your Gas Hook Up.....	22 - 23
Natural Gas Installation.....	24 - 25
Propane Tank Installation.....	26 - 27
Lighting your grill safely.....	28 - 30
Grilling Safety.....	31
Cooking and Grilling Tips.....	32
Cleaning and Maintenance.....	33 - 38
Trouble Shooting.....	39 - 40
Wiring and Lightbulb Replacement.....	41 - 43
Parts and Obtaining Service.....	44 - 46
Warranty.....	47

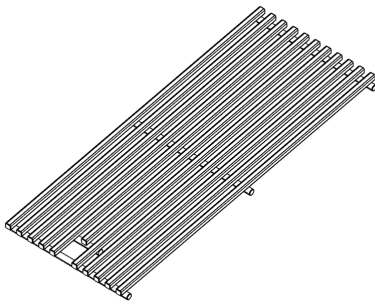


# MEET YOUR XO

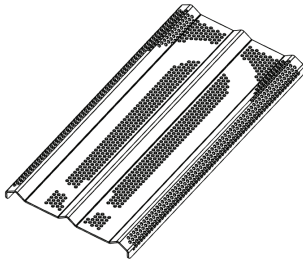


## unique features and benefits

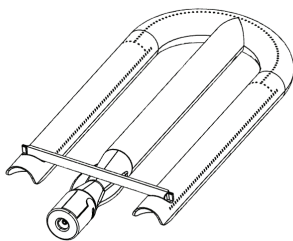
The XO gas grill has some of the most unique grilling features that will enhance your grilling experience and make you that “master chef”. These features include Stainless Steel Grills, unique full coverage flame tamers to create even heat and minimize flair-ups, heavy duty stainless steel tube burners to enhance the overall searing of your food.



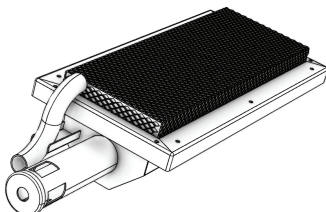
Performance series stainless steel square cooking grates enable cooking with greater speed and control. The heavy duty grates heat up evenly and sear the natural juices into the food.



The unique design of XO’s stainless steel flame tamers provide superior protection to the burners and even temperature distribution while vaporizing drippings to add flavor and ensuring rapid heat up.



The performance series stainless U-Style XLT burner is used in this XO gas grill. This new burner has even heat distribution that enables rapid heating throughout the cooking area.



Your XO grill has an optional infrared burner available as an accessory with an adjustable temperature range from 400 to 1000 degrees.

# PRODUCT SPECIFICATIONS

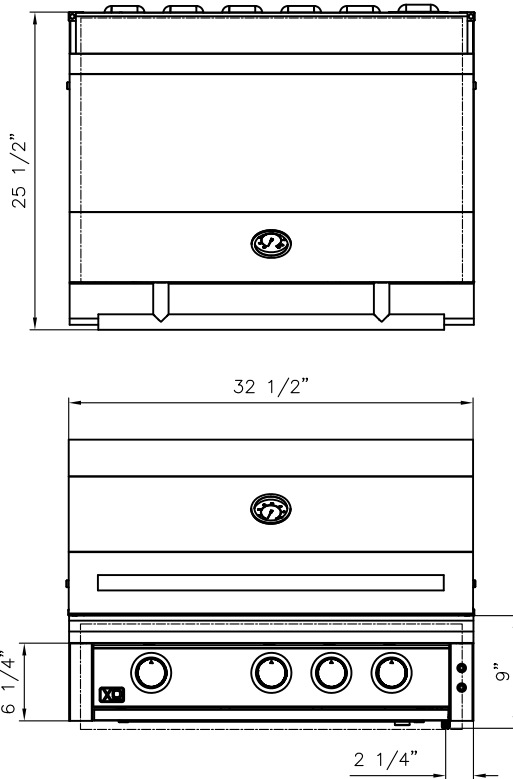
Description	XOGRILL32XLT	XOGRILL40XLT
Main Cooking Area Sq. In.	530	662
Warming Rack Sq. In.	172	210
Total Cooking Area Sq. In.	702	872
Gas Type (specify)	NG or LP	NG or LP
Orifices Main Burners NG	1.98 mm	1.98 mm
Orifices Main Burners LP	1.18 mm	1.18 mm
Orifices Rear Burner NG	1.5 mm	1.5 mm
Orifices Rear Burner LP	1.1 mm	1.1 mm
Main Burners	(3) Tubular SS	(4) Tubular SS
Main Burner BTUs (each / total)	17,000 / 51,000	17,000 / 68,000
Cooking Grates	(4) 18" x 7 3/8" SS	(5) 18" x 7 3/8" SS
Warming Rack	Tilt and Store SS	Tilt and Store SS
Flame Tamers	(3) Full Coverage SS	(4) Full Coverage SS
Heat Zone Dividers	(2) Removable SS	(3) Removable SS
Rear Burner	Ceramic InfraRed	Ceramic InfraRed
Rear Burner BTUs	10,000	10,000
Rotisserie Kit	Optional	Optional
Hood Assembly	Welded Stainless	Welded Stainless
Spring Counter Balanced	Yes	Yes
Control Panel	Welded Stainless	Welded Stainless
Drip Tray	Welded Stainless	Welded Stainless
Ignition	Reliable Flame Thrower	Reliable Flame Thrower
Temperature Gauge	Hood Mounted	Hood Mounted
Control panel Lighting	12v Blue LED	12v Blue LED
Interior Work Lighting	12v Halogen (2)	12v Halogen (2)
Grill Cutout Dimensions	8 1/2" x 21 1/4" x 30 5/8"	8 1/2" x 21 1/4" x 38 3/8"

**please read and follow all safety instructions**

# PRODUCT SPECIFICATIONS

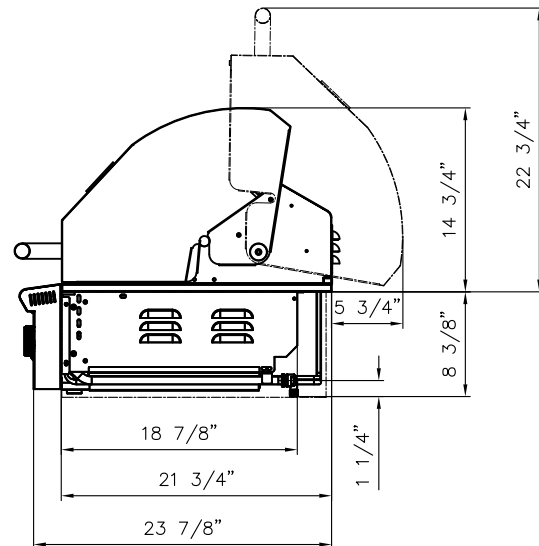
## MODEL XOGRILL32XLT

TOP VIEW



FRONT VIEW

SIDE VIEW



### Details

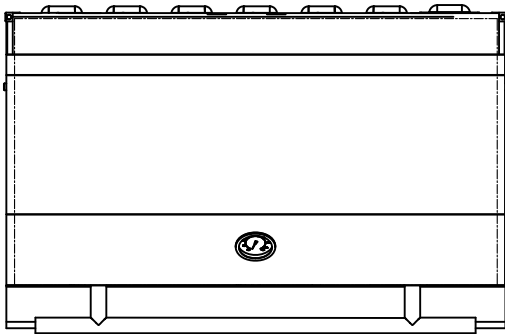
<b>Material</b>	Stainless Steel
<b>Primary Burner BTU</b>	17,000 BTUs x 3
<b>Rotisserie Burner</b>	10,000 BTUs
<b>Fuel Type</b>	Natural gas
<b>Total Power Output</b>	61,000 BTUs

<b>Total Area</b>	696 Square inch
<b>Cutout Width</b>	30 5/8"
<b>Cutout Depth</b>	21 1/4"
<b>Cutout Height</b>	8 1/2"

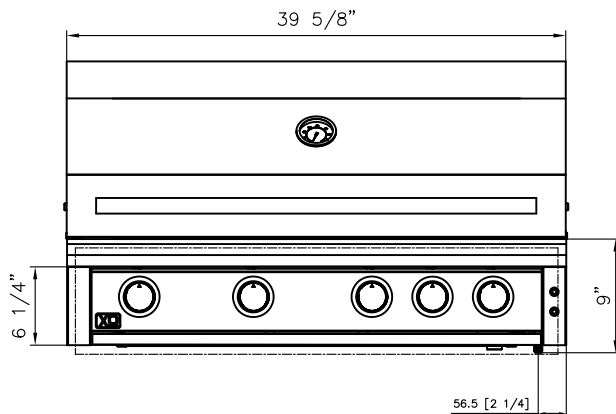
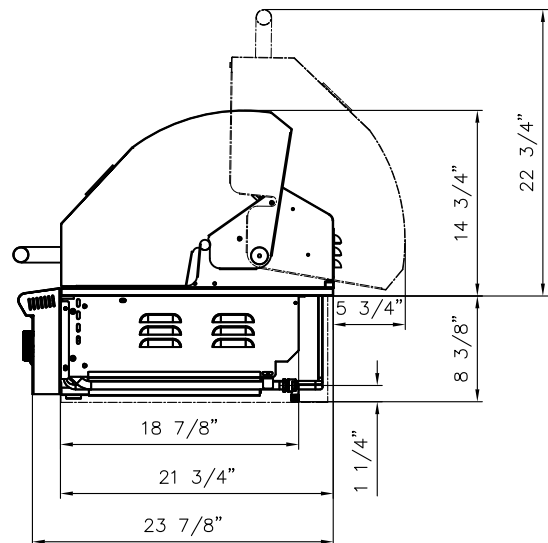
# PRODUCT SPECIFICATION

## MODEL XOGRILL40XLT

TOP VIEW



SIDE VIEW



FRONT VIEW

### Details

<b>Material</b>	Stainless Steel
<b>Primary Burner BTU</b>	17,000 BTUs x
<b>Rotisserie Burner</b>	10 00 BTUs
<b>Fuel Type</b>	Natural gas
<b>Total Power Output</b>	78,000 BTUs

<b>Total Area</b>	829 Square inch
<b>Cutout Width</b>	38 3/8"
<b>Cutout Depth</b>	21 1/4"
<b>Cutout Height</b>	8 1/2"

# SAFETY MATTERS



## WARNING

- Read this manual carefully and completely before using your grill, to reduce the risk of fire, burn hazard or other injury and to ensure proper installation and servicing.
- Never use rusted, dented or damaged propane cylinders. Never store additional or empty propane cylinders in the grill cabinet or in the vicinity of this or any other gas or electrical appliance. Do not store propane cylinders indoors or on their sides for gas may escape. Gas cylinders are highly flammable
- No Children should ever be left alone or unattended in an area where a grill is located. Place your grill well away from areas where children play. Do not store items that may interest children in or around the grill, in the cart or in the enclosure or Island.
- Never move the grill when hot. When in use, portions of the grill are hot enough to cause severe burns.
- Always maintain the required clearances from combustibles as detailed. The grill is designed for outdoor use only. Never use in a garage, building, shed, breezeway or other enclosed area. Do not use this grill under any unprotected overhead combustible construction. Combustible material exposed to heat will catch on fire
- Gas grills are not designed or certified for and are not to be installed in or on a recreational vehicle, portable trailer, boat or any other moving installation including commercial use.
- Always have a Fire Extinguisher accessible — never attempt to extinguish a grease fire with water or other liquids.
- Store your grill in a well-ventilated area. If stored indoors, detach and leave LP cylinder outdoors in a well-ventilated area away from heat and away from where children may tamper with it. Always leave tank outdoors.
- Keep any electrical supply cord and the fuel supply hose away from any heated surfaces. Electrical cords should be placed away from walkways to avoid tripping hazard.
- Do not repair or replace any part of the grill unless specifically recommended in this manual. Other service should be performed by a certified and qualified BBQ technician.
- If the grill is installed by a professional installer or technician, be sure that he/she shows you where your gas supply shut-off is located. All gas lines must have a shut-off that is readily and easily accessible. If you smell gas, check for gas leaks immediately. Check only with a soap and water solution. Never check for gas leaks with an open flame
- Inspect the LP gas supply hose prior to each use of the grill. If there is evidence of excessive abrasion or wear, or the hose is cut, it must be replaced before using the grill.
- The outdoor cooking gas appliance and its individual shutoff valve must be disconnected from the gas supply piping system during any pressure testing of that system at test pressures in excess of 0.5 psi (3.5 kPa).

# LOCATION OF YOUR GRILL | CLEARANCES

## ISLAND INSTALLATIONS | NON-COMBUSTIBLE CONSTRUCTION

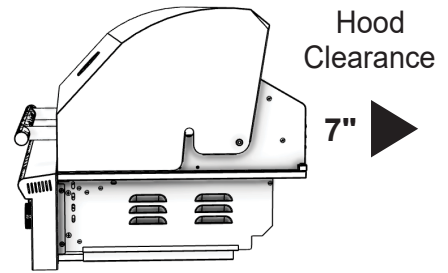
The XO Built in grills are designed for easy installation into a non-combustible masonry island.

In installations of this type non-combustible materials like brick, stone or cement board completely surround the appliances supported by block or metal framing.

No materials shall be used within 12" of the unit that will burn or be affected by the high heat the unit can produce.

The grill slides into the cutout opening of the island and is supported by the flanges that surround the grill sides and rear. Do not grout the unit in place so that it can be removed for maintenance.

In addition to a 12" non-combustible materials clearance in all directions; proper hood operation requires a 7" clear space minimum behind the unit.



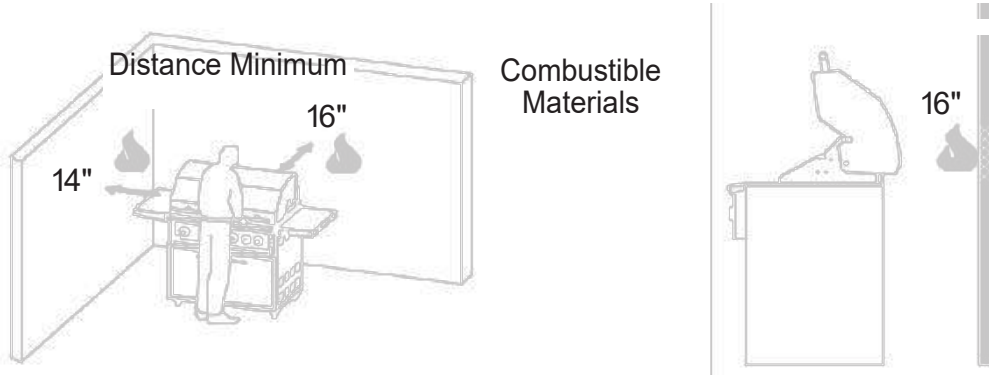
## ISLAND INSTALLATIONS | COMBUSTIBLE CONSTRUCTION

Island construction which employs some combustible materials is permitted providing certain additional requirements are met.

Combustible materials include any surface or framing materials which may ignite, burn, support combustion, emit smoke or melt when exposed to heat.

An approved, insulated jacket designed to shield each gas appliance must be used.

All minimum clearances to adjacent combustible construction must be increased to 14" on the sides and 16" to the rear of the grill.



**NEVER INSTALL OR USE YOUR GRILL IN ANY ENCLOSED SPACE SUCH AS, BUT NOT LIMITED TO, GARAGES, PORCHES OR BREEZEWAYS.  
NEVER USE YOUR GRILL ON ELEVATED PATIOS OR DECKS.  
NEVER INSTALL OR USE UNDERNEATH UNPROTECTED OVERHEAD CONSTRUCTION.**

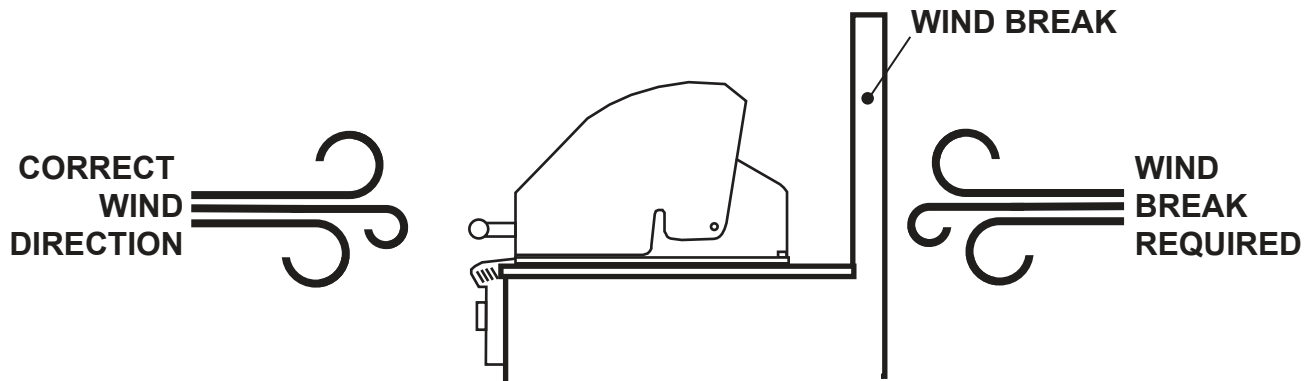
# GRILL LOCATION

## WHERE IS THE WIND COMING FROM?

When selecting a suitable location, consider important factors such as exposure to the wind and foot-traffic patterns.

If you have a free standing grill, position it so the prevailing wind blows toward the front control panel (at your back when grilling). This will support the proper front to rear of airflow required for proper operation of your grill.

Built-in grills located in areas with prevailing winds should be protected by a wind barrier positioned behind the appliance. All clearances must be observed for safe operation.



**FAILURE TO COMPENSATE FOR PREVAILING WIND CAN RESULT IN EXCESSIVE HEAT BUILD UP AND RESULT IN DAMAGE TO THE APPLIANCE AND RISK OF FIRE, PROPERTY DAMAGE OR PERSONAL INJURY.**

If you suspect the grill is overheating, using an heat resistant mitt, open the hood. After first checking the control knobs for excessive temperature, turn them down to a lower setting.

If you have a freestanding grill - turn it OFF, and after allowing it to cool, reposition the grill based on prevailing wind patterns as described above.

OR - install a wind break to prevent the wind from interfering with the correct front to back exchange of air.

On windy days, do not operate the grill on high with the hood closed for more than 15 minutes.

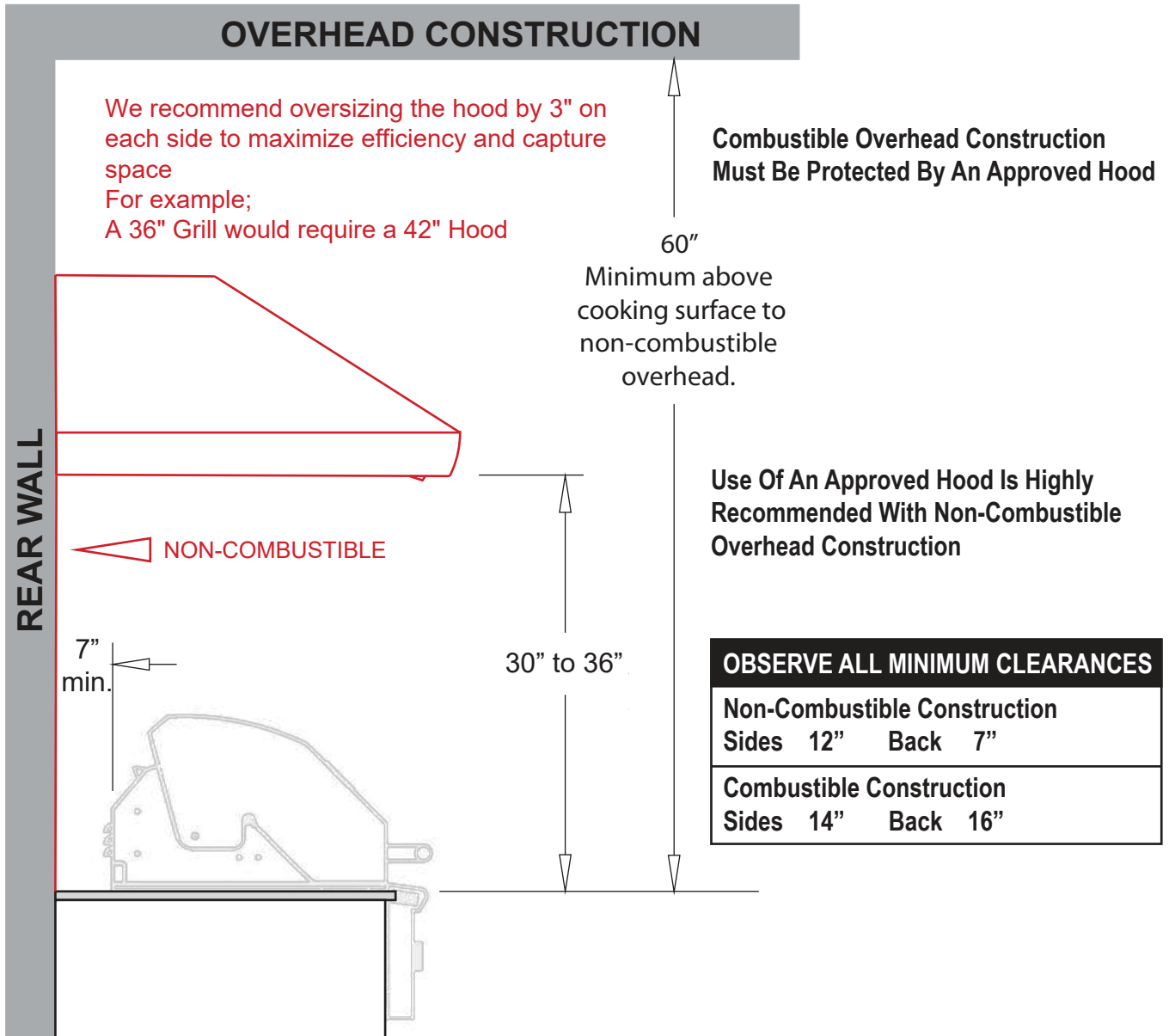
Never leave your grill unattended while operating.

Your XO Grill must draw air in from the front and exhaust heated air from the rear in order to operate.

Position your grill so that smoke and exhaust will not gain access to the house through open windows, doors or ventilation.

# OVERHEAD CONSTRUCTION

- If installed under any combustible construction the area above the cooking surface of the grill must be covered with an approved exhaust hood.
- It is highly recommended the hood be sized with a minimum 3" overhang on all exposed sides.
- The exhaust hood shall provide no less than 1,200 CFM of proper exhaust ventilation.
- The exhaust hood must be approved for outdoor installation and used with a dedicated GFCI branch circuit.

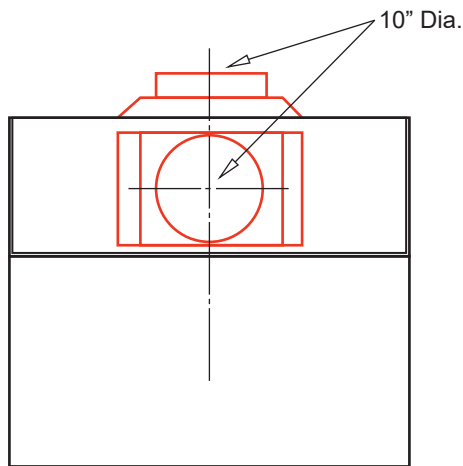
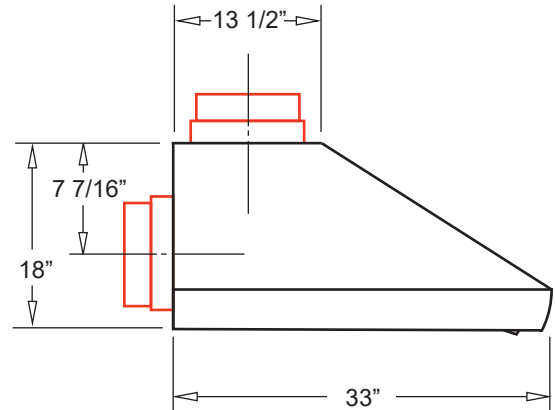
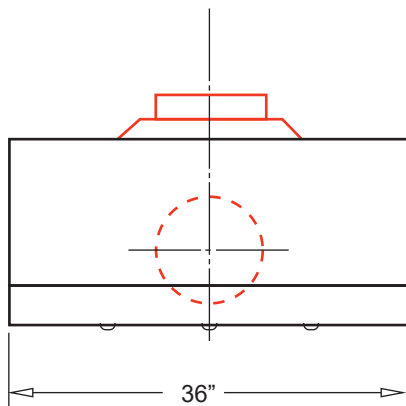


**TYPICAL EXHAUST HOOD INSTALLATION**



# OUTDOOR RATED EXHAUST HOODS

AVAILABLE IN THREE SIZES



MODEL: XOGV36S  
36" Wide - use with XOGRILL30 & XOGRIDDLE30

MODEL: XOGV42S  
42" Wide - use with XOGRILL36

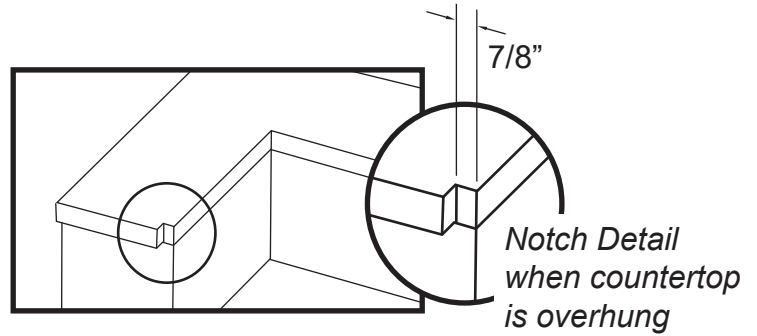
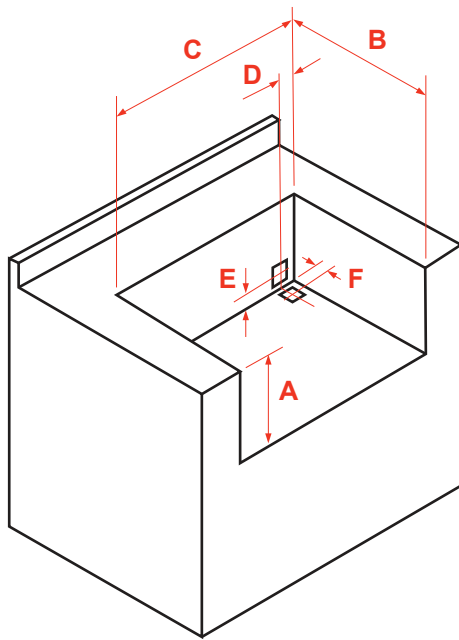
MODEL: XOGV48S  
48" Wide - use with XOGRILL42

All Models:  
33" Deep  
18" High to the top of the Canopy  
10" Dia. Exhaust Top or Rear

All Models have the following features:  
Top or Rear Venting  
304 Stainless Steel Construction  
Professional Stainless Steel Baffle Filters  
Four LED Lamps  
Rotary Controls  
Two High Velocity Blowers capable of exhausting up to 1,200 CFM  
Matching SS Top Duct Cover



# OUTDOOR KITCHEN DIMENSIONS - CUTOUTS



Dimensions **D**, **E** and **F** define the center lines for 4" x 4" openings for the gas and electrical utilities to be brought in.

## CUTOUTS FOR GRILL NON COMBUSTIBLE CONSTRUCTION

	XOGRILL32XLT	XOGRILL40XLT
DIM A	8 1/2"	8 1/2"
DIM B	21 1/4"	21 1/4"
DIM C	30 5/8"	38 3/8"
DIM D	2 3/4"	2 3/4"
DIM E	2 3/4"	2 3/4"
DIM F	2 3/4"	2 3/4"

## CUTOUTS FOR INSULATED JACKET COMBUSTIBLE CONSTRUCTION

Use of an Insulated Jacket is Required

	XOG32JACKETXLT	XOG40JACKETXLT
DIM A	9 1/2"	9 1/2"
DIM B	21 7/8"	21 7/8"
DIM C	33 1/2"	40 3/4"
DIM D	3"	3"
DIM E	3"	3"
DIM F	3 5/8"	3 5/8"

Must conform with local codes or, in the absence of local codes, with either the National Fuel Gas Code, ANSI Z223.1/NFPA 54, or the Natural Gas and Propane Installation Code, CSA B149.1, or the Propane Storage and Handling Code, CSA B149.2, or the Standard for Recreational Vehicles, ANSI A119.2/NFPA 1192, and CSA Z240 RV Series, Recreational Vehicle Code, as applicable

# INSULATED JACKET INSTALLATION

**IMPORTANT:** Before you build the frame, you must take into account the total weight of the liner, grill, other appliances, countertop and all other finishing materials.

XO Outdoor cooking appliances operate at very HIGH TEMPERATURES. It is absolutely essential to install an insulated jacket whenever combustible materials are used in the construction of your outdoor kitchen. Failure to isolate the cooking appliances within an approved insulated jacket can result in fire, property damage, personal injury or death. Combustible materials include anything which will burn, emit smoke, melt or support combustion.

Refer to the table on page 18 for the correct dimensions to install the insulated jacket..

Determine the entry point for your gas and electrical connections. Create your 4" x 4" rear or bottom utility access based on location requirements.

Use a carpenter's level to ensure the framing is level both side to side and front to back.

**NEVER under any circumstances run the gas line or electrical wiring between the grill and the insulated jacket. All excess electrical wire leads must be pulled out beyond the insulated jacket. Never attempt to install the transformer between the liner and grill.**

## LINER INSTALLATION

Position the liner in the frame. No part of the combustible construction can protrude above the top or beyond the front surface face of the liner. Shim the liner as necessary.

## APPLIANCE INSTALLATION - CAUTION HEAVY LIFT

Remove the grates from the grill to reduce its weight and using two people, place the grill into the liner. The side and rear flanges of the grill are designed to rest on top of the stainless flanges of the liner without additional fasteners. The grill must be able to be removed for maintenance and service, do not grout the grill in place.

## FINISHING

If desired the gap, if any, between the liner and the counter may be filled with non-combustible sealant.



## WARNING



- Never install this product into a structure built using combustible materials without an insulated jacket. Doing so risks Fire, Property Damage, Injury or Death.
- Observe and follow ALL set backs and clearances set forth in this manual.
- For outdoor installation only - Never install or operate in an enclosed space.
- Observe and follow ALL overhead clearances set forth in this manual.
- Installation must conform with local codes or, in the absence of local codes, with either the National Fuel Gas Code, ANSI Z223.1/NFPA 54, Natural Gas and propane Installation Code, CSA B149.1, or Propane Storage and Handling Code, B149.2, in Canada.

# OUTDOOR KITCHEN VENTING

## REQUIRED FOR ALL OUTDOOR KITCHEN INSTALLATIONS

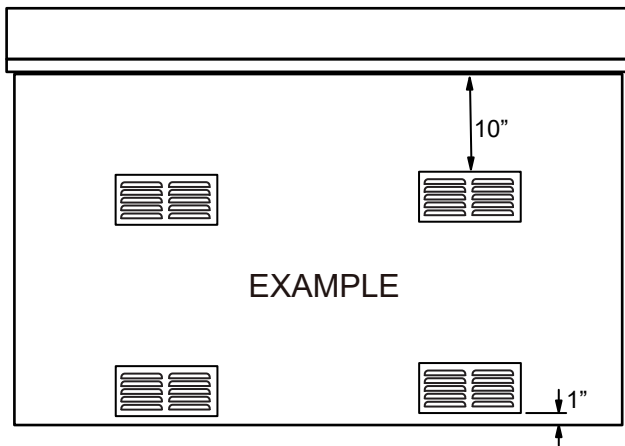
Proper venting is essential for all installations regardless of the materials of construction.

1. Correctly installed venting helps ensure adequate airflow necessary for combustion to take place safely.
2. AND properly installed cross ventilation helps ensure that, in the event of a leak, gas is not trapped within the enclosed space inside.



**EXTREME DANGER**

**Gas leakage within a confined space poses an extreme danger of fire and/or explosion. Adequate cross ventilation is absolutely essential.**



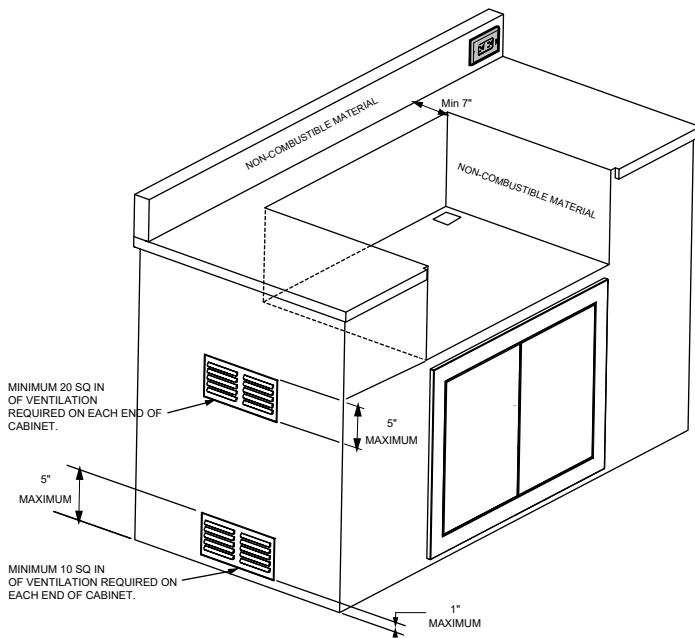
Natural Gas is lighter than air.  
Vents should be placed 10" below the countertop.

Propane is heavier than air.  
Vents should be placed 1" minimum above ground level.

A minimum of three 10 in<sup>2</sup> (65 cm<sup>2</sup>) of ventilation openings must be provided at the bottom of the back, left and right sides of your enclosure (island).

A minimum of three 20 in<sup>2</sup> (130 cm<sup>2</sup>) of ventilation openings must be provided at the top of both left, right and back sides of your enclosure (island) where the top of the opening aligns with the bottom of the grill cut-out.

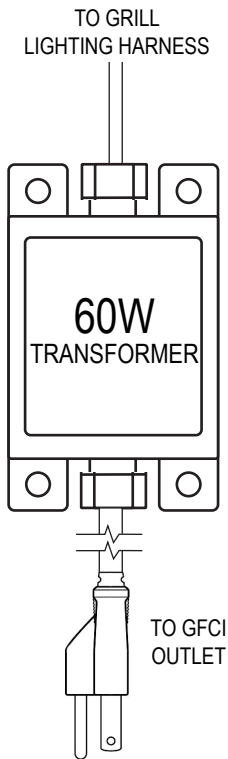
These openings are required to safely dissipate gas vapors if there is a leak in your enclosure.



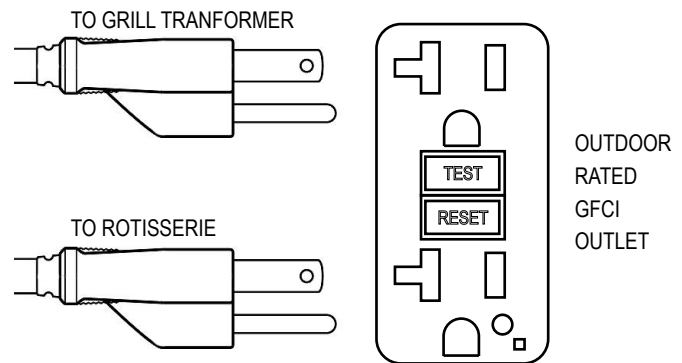
# ELECTRICAL HOOK UP

The grill lighting system is powered by a 60W transformer included with the grill. It must be mounted with the three prong cord set pointing down. All wiring should be routed away from all hot surfaces and gas lines.

**Note:** In order for the rotisserie, LED and halogen lights to work the rotisserie motor and grill must both be plugged into a properly grounded GFCI outlet installed by an electrician.



The Flame Thrower Ignition system does NOT require an electrical connection.



## WARNING

### ELECTRICAL GROUNDING

- Product installation must meet local electric codes or, in the absence of local codes, the latest edition of the National Electrical Code ANS/ NFPA No. 70 or the Canadian Electrical Code CGA 1.6b2005.
- Use only a Ground Fault Interrupter (GFI) protected circuit with this outdoor cooking gas appliance.
- **IMPORTANT:** When connecting your rotisserie motor, first connect the motor to the grill and then plug the grill into the outlet.
- This grill is equipped with a three prong (grounding) electric plug for your protection against shock hazard and must be plugged directly into a properly grounded three prong outlet. Never cut or remove the grounding prong from this plug.
- Use only extension cords with a 3 prong grounding plug, rated for the power of the equipment, and approved for outdoor use with a "W-A" marking.
- To protect against electric shock, do not immerse any part of the power cord, an extension cord or any plugs in water or other liquid.
- Unplug the rotisserie from the outlet when not in use and before cleaning. Allow it to cool before putting on or taking off parts.
- Do not let the cord hang over the edge of a table or touch hot surfaces.
- Do not use an outdoor cooking gas appliance for purposes other than intended.
- Do not operate any outdoor cooking gas appliance with a damaged cord, plug, or after the appliance malfunctions or has been damaged in any manner. Contact the manufacturer for repair.

# BEFORE HOOKING UP YOUR GAS CONNECTIONS



## WARNING

Your XO gas grill is designed for use with either Natural Gas or Propane (LP).

**HOWEVER, it must be set up correctly to use one or the other fuel. Different fuels cannot be used interchangeably.**

Operation with using natural gas requires different burner orifices and a different regulator set up than for propane and vice versa.

If your grill has been set up for to use one type of fuel and you wish to power it with the other fuel - the appliance must be converted for that use. A gas conversion should only be performed by an experienced gas appliance technician.

Every gas installation must include a readily accessible emergency shut off valve close to the grill. The valve should be at the gas supply source outdoors after the gas line exits the outer wall of the house and before it connects to the flex line or QD line. If the gas line is to be buried, it should be connected before it enters the ground. It is highly recommended that the valve have the ability to lock when closed to prevent accidental opening. Any locking or security device cannot interfere with the ability to rapidly close the valve in an emergency. Some locations require this locking feature by code.

**XO Grill are shipped as customer specified set up for use with Natural Gas or Propane. This is designated by the last letter of the model number. Confirm the correct fuel type before installation.**

**If the model number ends with “L” the unit has been set up to burn Propane.**

**If the model number ends with “N” the unit has been set up to burn Natural Gas.**

In either case, the unit is shipped with the appropriate regulator. Natural Gas regulators operate with an outlet pressure of 4 “ W.C. and Propane regulators operate at 11” W.C.

All threaded fittings must be properly sealed with pipe compound or tape which has been approved for use on gas systems.

During gas system pressure testing, (equal to or exceeding 1/2 PSI - 3.5 KPa), the gas grill must be disconnected from the supply using the isolation shut-off valve.

# GAS LEAK TESTING



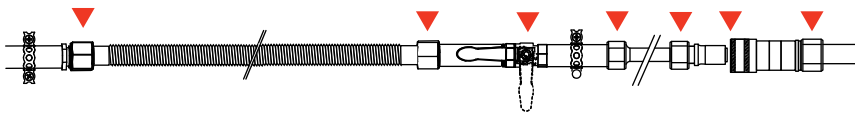
## WARNING

Regardless of whether you are powering your grill with Propane or Natural Gas - Leak Testing of all connections and components is an essential step to ensure the safe use of the appliance.

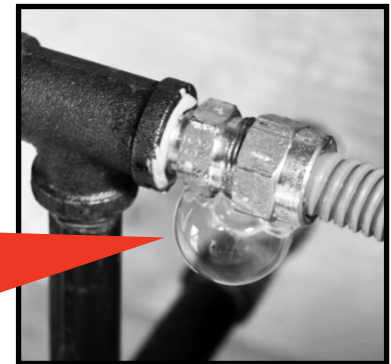
Leak testing is easy to do and **MUST** be performed: Before the First Use, whenever a gas line supply component (such as a propane tank) is changed, whenever a gas leak is suspected, or once a year as general maintenance.

### PERFORMING A LEAK TEST - Either with a leak detector or by the simple method below:

- Prepare a mixture of 50% liquid dish soap and 50% water.
- Remove or extinguish all open flames or potential ignition sources - **NO SMOKING** whenever gas may be present. **NEVER** test for the presence of gas using a match or open flame.
- **Sparks or open flames may ignite a fire or explosion resulting in property damage, personal injury or death!**
- Ensure that all control knobs are in the OFF position.
- Open the local gas supply valve (either at the propane tank or natural gas line)
- Using a spray bottle or brush, liberally coat ALL the gas line connections, hoses, manifolds, regulators and valves.



- Gas leaks will be indicated by bubbles forming.
- If this occurs, **IMMEDIATELY SHUT THE GAS OFF.**



### FIXING A GAS LEAK

- After shutting off the gas, turn all control knobs “ON” to purge gas from the system.
- Wait several minutes - then turn all control knobs to the “OFF” position.
- With a damp cloth, wash the residual soapy solution from the gas line and let dry.
- Tighten the loose fitting or replace the leaking component with a Manufacturer approved part.
- Repeat the leak test above.
- If the unit fails the leak test a second time - **STOP** - Shut the gas off and call for a professional service technician. - **DO NOT ATTEMPT TO USE THE GRILL UNTIL REPAIRED.**

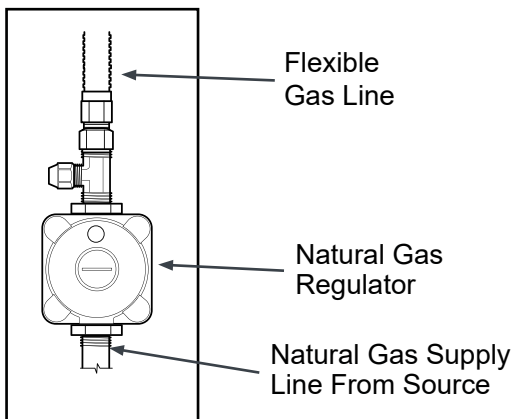
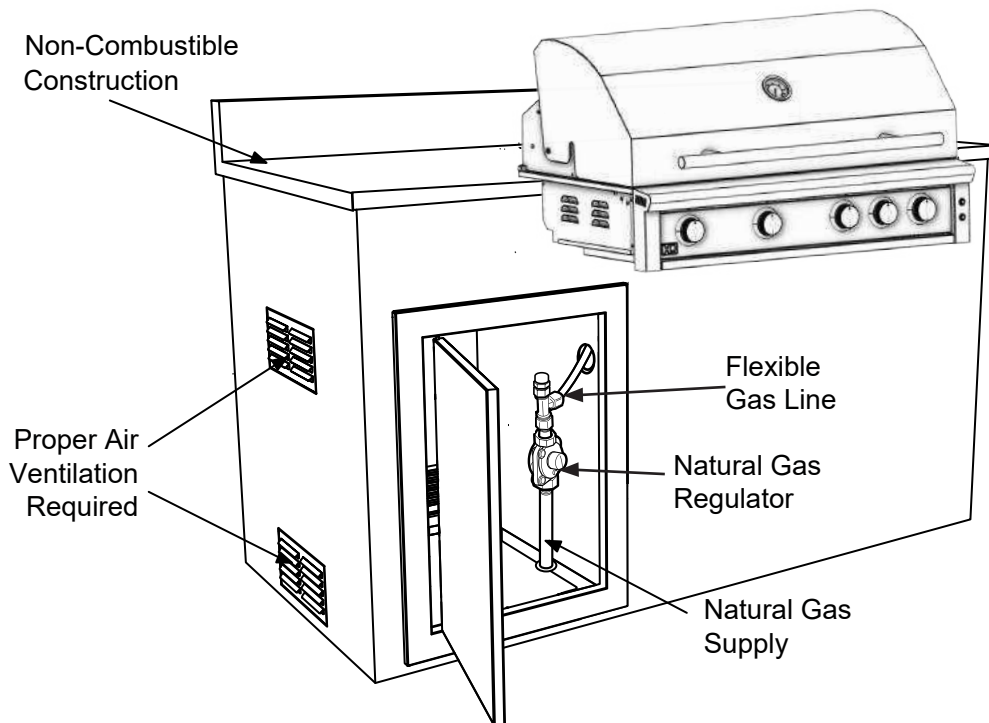
# NATURAL GAS INSTALLATION

## Hard Pipe Connection in a Built in Enclosure



# WARNING

Only licensed a gas professional must perform the required gas fitting on XO gas appliances. To ensure satisfactory performance, the gas supply line must be sized to accommodate the total BTU/h requirements of all the gas-fired equipment that will be connected to that line. In no case should pipe less than 3/4" inside diameter or 1" outside diameter ever be used to connect this product.



**CONTRACTORS**

Securely mount the gas supply components to the non combustionable structure. This illustration is for reference only each installation will be different.

**ALWAYS REGULATE THE BBQ**

Rigid Piping for supply (Not Supplied)

All Other Components Are Not Supplied

Grill Gas line Flexible Gas Line (Not Supplied)

Natural Gas Regulator mounted on BBQ.

Gas From House

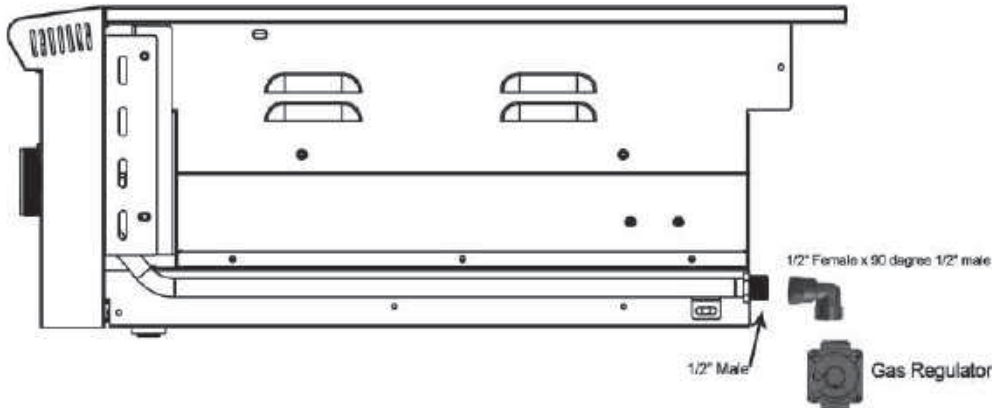


# GAS HOOK UP - NATURAL GAS

## NATURAL GAS CONNECTION KIT INCLUDED WITH GAS GRILL

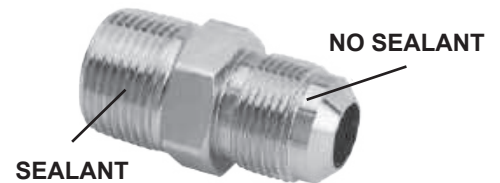
The Natural Gas Regulator and 1/2F to 1/2M brass connection is included with the gas grill. Always use a Professional Installer when connecting to your gas line. The gas regulator which is included is set up for natural gas but can be converted for use with propane.

Gas grill manifold ends in a 1/2" male thread and has a "Grip Nut" for a wrench. When tightening these fittings, two wrenches are required. One to hold the Grip Nut and prevent it from moving while the other wrench turns the opposing fitting. Failure to employ two wrenches this way places an undue strain on the manifold and can cause damage and/or result in leaks.



Always use two wrenches to tighten gas fittings

Use plumbers putty or gas tape on the male threads to seal the male threads to seal the connection. Do **NOT** use sealant or tape on the flare side of a connector.



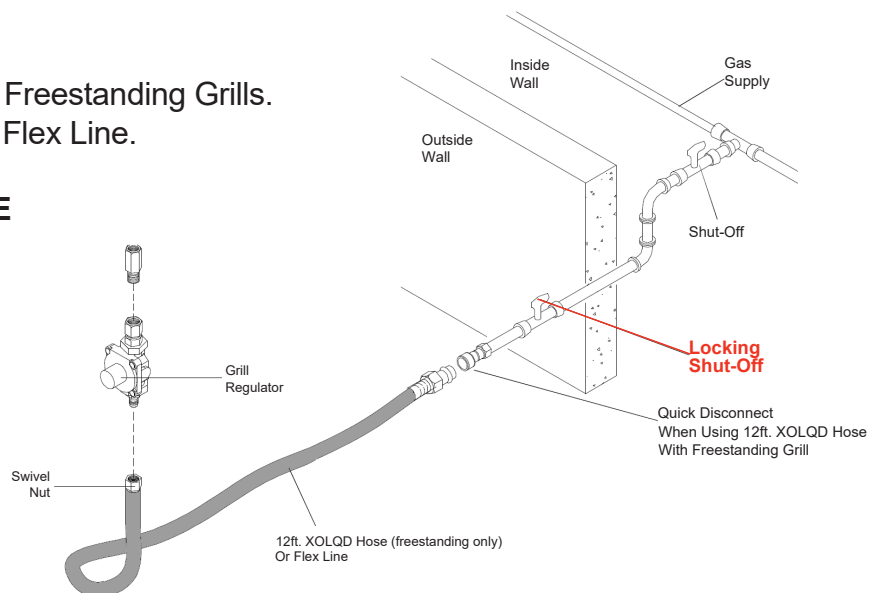
Connect the gas regulator and make certain the "IN" and "OUT" are oriented correctly. This is marked in the casting. Gas will only flow in one direction. A gas flex line or hose can then be used to make the final connection to the house supply line.

### IMPORTANT:

An XOLQD Hose may only be used for Freestanding Grills. Permanent installations MUST use SS Flex Line.

**YOUR FINAL PIPING MUST INCLUDE A LOCKING 1/4 TURN SHUT OFF VALVE OUTSIDE LOCAL TO THE GRILL FOR EMERGENCIES.**

**ALL CONNECTIONS MUST BE LEAK TESTED PRIOR TO FIRST USE**



# LP GAS TANK SAFETY

LP Gas grill models are designed to use a standard 20lb. Liquid Propane Gas (LP Gas) tank, sold separately. Do not connect your gas grill to an LP tank that exceeds this capacity. This is a tank approximately 12" in diameter and 18-1/2" tall.

The tank must have an Overfill Prevention Device, "OPD", installed. This is a safety device which prevents filling the cylinder beyond its rated capacity, which can cause the LP tank to malfunction.

The LP Gas tank must be constructed and marked in accordance with the Specifications for LP-Gas Cylinders of the U.S. Department of Transportation (D.O.T.) or the National Standard of Canada, CAN/CSA-B339, Cylinders, Spheres and Tubes for Transportation of Dangerous Goods, and Commission: as applicable.

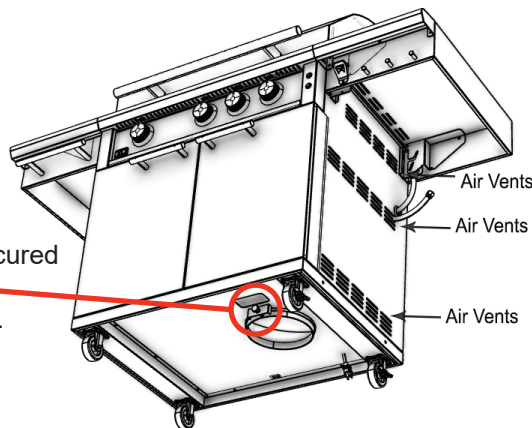
The LP Gas tank must have a shutoff valve, terminating in an LP Gas supply tank valve outlet, that is compatible with a Type 1 tank connection device. The LP Gas tank must also have a safety relief device that has a direct connection with the vapor space of the tank. The tank supply system must be arranged for vapor withdrawal.

The LP Gas tank must have a collar to protect the tank valve. Never connect an unregulated LP gas tank to your gas grill. The gas regulator assembly supplied with your gas grill is adjusted to have an outlet pressure of 11" water column (W.C.) for connection to an LP gas tank. Only use the regulator and hose assembly supplied with your gas grill.

Replacement hose and regulator assembly must be identical to those listed in the parts list of this Operating Manual as specified by XO.

Have your LP Gas dealer check the release valve after every filling to ensure it remains free of defects. Always keep LP Gas tank in upright position. Do not subject the LP Gas tank to excessive heat. Never store an LP Gas tank indoors. If you store your gas grill in the garage always disconnect the LP Gas tank first and store it safely outside. LP Gas tanks must be stored outdoors in a well-ventilated area and out of the reach of children. Disconnected LP Gas tanks must not be stored in a building, garage or any other enclosed area.

The regulator and hose assembly can be seen by opening the cart or island doors. They must be inspected before each use of the grill. If the hose is damaged in any way, it must be replaced prior to using the grill. The gas grill is set up to operate with an LP gas cylinder equipped with an OPD (overfilling prevention device).



**NOTE:** LP Tank is secured in the cart by a bolt which locks it in place.

The grill cart has air vents on three sides to allow for the release of excess vapor.

## SAFETY NOTICE

Always shut the tank valve when not in use.

Excessive heat can cause vapor to be released from the cylinder when not in use.

# GAS HOOK UP - PROPANE



## WARNING

Never connect any appliance directly to a gas line. The correct pressure regulator must be installed on all gas equipment. **All local codes require it.** XO supplies the correct regulator with your grill.

Failure to install or removal of the gas regulator supplied with your grill can result in fire and/or serious personal injury. It will also void the equipment warranty.

Do not use any gas regulator/assembly except the one supplied for your unit by XO.



## WARNING | PROPANE TANKS

When not in use - shut the gas valve OFF at the tank.

Never store spare propane tanks under or near the grill.

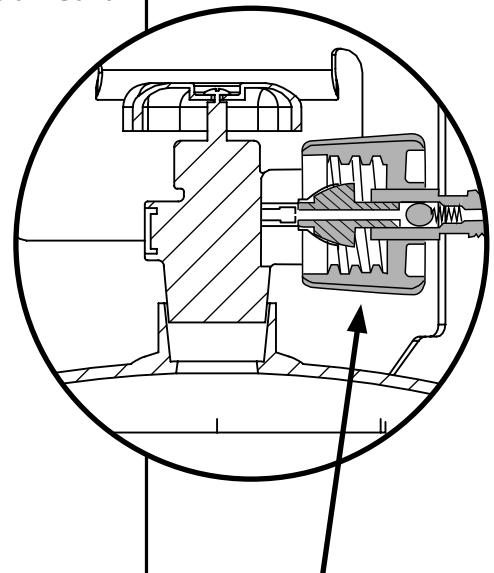
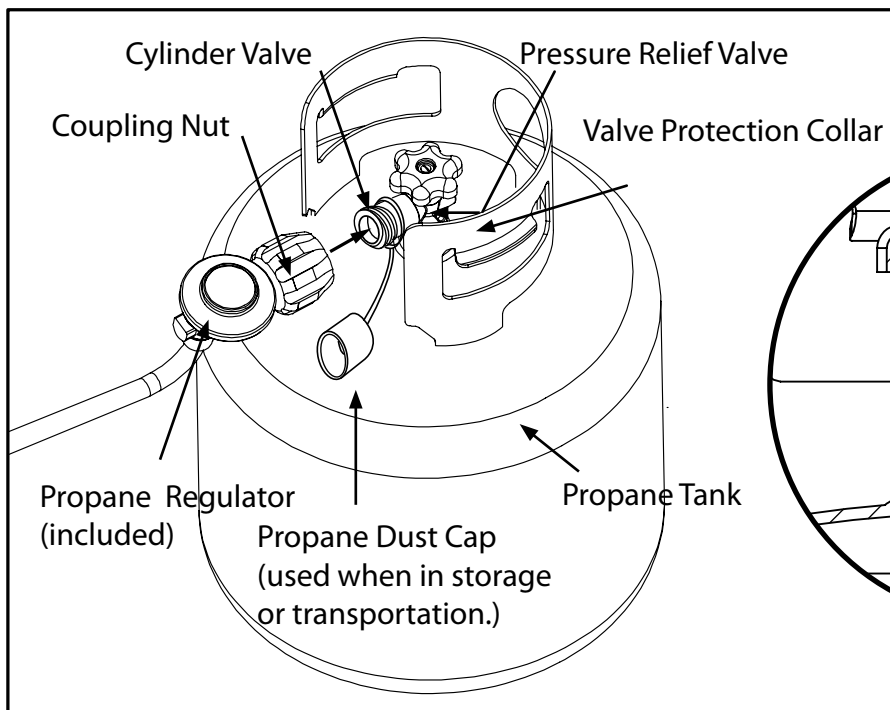
If storing the grill indoors - remove the propane tank.

Use only the valve dust cap supplied with disconnected tanks.

Tanks must be stored outdoors in a secure, well ventilated area.

Never fill propane tanks beyond 80% of their rated capacity.

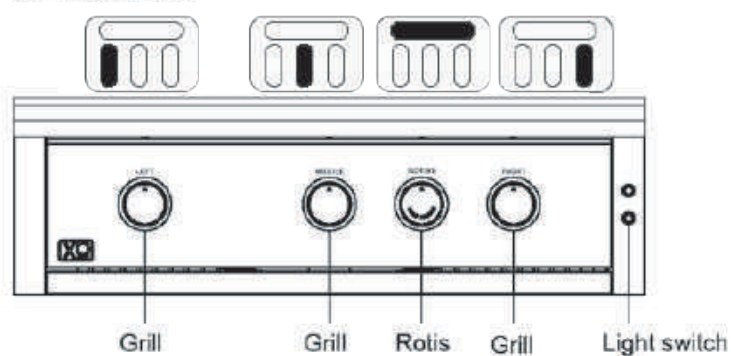
Hand tighten the regulator coupling nut - Do not over tighten.



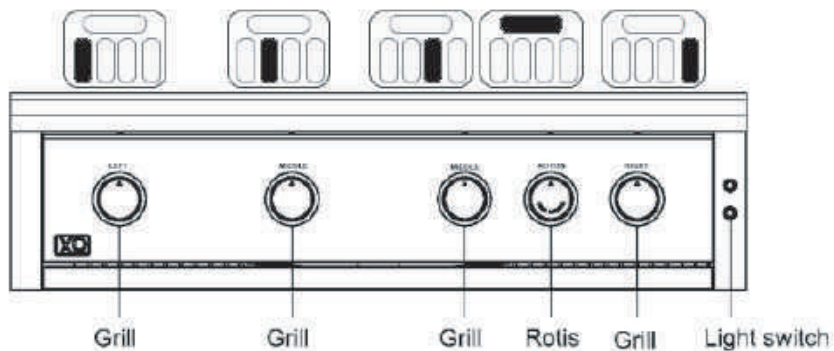
Hand tighten to ensure proper seal for correct gas flow.

# LIGHTING THE BURNERS - CONTROLS

## XOGRILL32XLT



## XOGRILL40XLT



## IGNITION POSITION:

With the hood open - Push and hold the knob in to start the flow of gas.

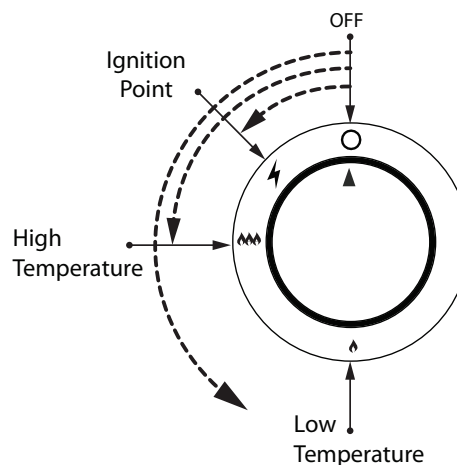
After 2 seconds, while holding in, turn slowly 1/4 Turn to the left.

You will hear the loud Click of the igniter.

Look to see the burner is fully lit.

If the burner does not light, turn the knob OFF wait 5 minutes until the gas is fully dissipated and repeat.

Always make certain all knobs are in the OFF position when finished cooking.



# LIGHTING THE BURNERS

## LIGHTING THE MAIN GRILL BURNERS:

1. Open grill hood . DO NOT ATTEMPT TO LIGHT GRILL WITH THE HOOD CLOSED.
2. Check to ensure that all burner control knobs are set to OFF.
3. Turn on main gas supply.
4. Push in and hold knob for 2 seconds
5. After 2 seconds, while holding the knob in, turn the knob counterclockwise 1/4 turn.  
You will hear the "CLICK" and the burner will ignite. Release knob.
6. If burner does not light, turn knob to OFF, wait 5 minutes for gas to dissipate, and repeat step 4.

## LIGHTING THE BACK INFRARED BURNER:

1. Open grill hood . DO NOT ATTEMPT TO LIGHT GRILL WITH THE HOOD CLOSED.
2. Check to ensure that all burner control knobs are set to OFF.
3. Turn on main gas supply.
4. Push in and hold knob for 2 seconds
5. After 2 seconds, while holding the knob in, turn the knob counterclockwise 1/4 turn.  
You will hear the "CLICK" and the burner will ignite.  
Continue to hold the knob in for 30 seconds until the burner ignites completely, then release.
6. If burner does not light, turn knob to OFF, wait 5 minutes for gas to dissipate, and repeat step 4.

**IF BURNERS ARE NOT IGNITING AFTER TWO ATTEMPTS - YOU CAN ATTEMPT TO LIGHT THE BURNERS MANUALLY AFTER WAITING 5 MINUTES FOR GAS TO DISSIPATE.**

**IF THE BURNERS STILL WILL NOT LIGHT - SHUT OFF THE GAS SUPPLY & CALL FOR SERVICE**

## Always preheat the grill for best results.

Before beginning - wipe the top of the grates with a light coating of a high temperature oil like canola.

To preheat the grill, light all main burners and set to HIGH. Close the hood and preheat for 10-15 minutes, or until the grill reaches desired temperature.

After preheating, turn off all burners not required, carefully open the hood, and adjust remaining burners to desired temperature.

Do not leave the grill unattended during the preheat cycle or at any time while the grill is in use.

Do not allow grill to preheat for prolonged periods of time. Overheating the grill can cause damage to the grill and personal property.



## WARNING

- Always keep the hood open when lighting the grill.
- Never leave children unsupervised around the XO grill.
- Do not store items of interest to children around or below the grill, or in the cabinet.
- Never allow children to crawl inside a cabinet or enclosure.

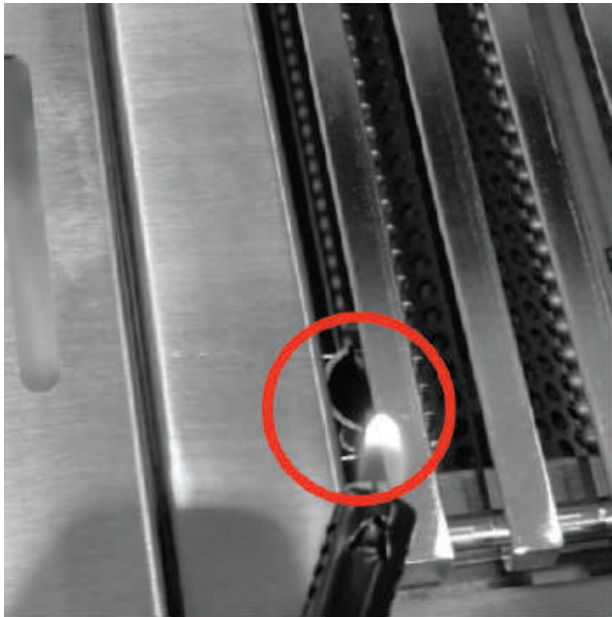


## CAUTION

- Never light the grill if you smell gas.
- Keep face and body parts away from the grill when lighting.
- Never leave the grill unattended.

# MANUALLY LIGHTING BURNERS

1. Open the hood and wait five minutes to allow any accumulated gas to dissipate.
2. Keep your face as far away from the burners as possible.
3. Light and insert a long-stem match, holding it near the Lighting Tube on the left side to light the main burner or the right hand side of the rear burner.
4. Slowly rotate the burner knob for the burner you are lighting counter-clockwise to the high position.
5. If the burner does not light after five seconds, turn the control knobs to the OFF position and wait five minutes until the gas clears before attempting to re-light
6. If the burner does not light after several attempts, immediately close all gas valves and consult an authorized service technician.
7. To shut off the burners, rotate the knob and turn to OFF.
8. It is normal to hear a popping sound when the burners are turned off.



## WARNING

- Never attempt to light a burner if you smell gas.
- Always keep the hood open when lighting your grill.
- Releasing fuel into a closed grill before lighting will increase the risk of explosion, property damage, personal injury or death.
- Keep your face and body as far from the grill as possible when lighting. Any time a burner doesn't light within 5 seconds, turn off the control, wait 5 minutes for gas to dissipate, and repeat the lighting procedure.
- NEVER LEAVE THE GRILL UNATTENDED WHILE COOKING.

# **GRILLING SAFETY**

**NEVER** leave the grill unattended..

**NEVER** operate a grill that has not successfully undergone a leak test.

Prior to the first use - make certain that all packing materials and tie downs have been removed from the interior of the grill, the grates have been washed and given a light coat of canola oil.

Avoid wearing loose-fitting garments while grilling.

Assume all surfaces are hot. Do not touch the grill racks, hood or immediate surrounding metal surfaces with bare hands - these areas become extremely hot during use and could cause burns.

Use an insulated glove or mitt when opening and operating the grill.

Open the grill hood slowly to allow heat and smoke to escape before fully opening.

Open the grill hood fully when lighting.

Never lean over hot grill surface or look directly into the grill when lighting.

Do not heat unopened food containers.

Do not use aluminum foil to line any part of the grill. Severe damage can result and void your warranty

Never use charcoal in this gas grill.

Excessively fatty foods can cause flare-ups. Damage caused as a result of unsupervised use or flare-ups will void the warranty.

Never grill without the drip pan in place. Failure to ensure that the drip pan is properly inserted can result in a grease fire.

Grease is extremely flammable. Let hot grease cool down completely before disposing of it. The drip tray should be cleaned after every use.

Before grilling, lightly oil the grates with canola before lighting the burners and preheat for 10 minutes for best performance.

**NEVER** operate the grill under the influence of alcohol or drugs.

# GRILLING TIPS

## TEMPERATURE SETTINGS

**HIGH Setting** - Use this setting only for fast warm-up, for searing steaks and chops, and for burning food residue from the cooking grids after the cookout is over.

**MEDIUM Setting** - Use this setting for most grilling, roasting or baking, and for cooking hamburgers and vegetables.

**LOW Setting** - Use this setting for all smoke cooking, rotisserie cooking, and when cooking very lean cuts such as fish.

## COOK FOOD TO PROPER TEMPERATURES

Cooking food safely requires that you raise the internal temperature of the meat high enough and for a long enough period of time to kill any food-borne bacteria that may cause illnesses.

Color is not the best indicator that food is safe to eat. Use a high-quality probe thermometer to be sure your food is properly cooked. Place the tip of an instant-read thermometer into the center of the thickest part of the food but at least 1/2 inch deep. Read the temperature after about 10 seconds. Follow the temperature guidelines for the type of food you're cooking.

The following guidelines are from the U.S. Food and Drug Administration Center for Food Safety and Applied Nutrition.

COOK TO INTERNAL TEMP			
Meat And Poultry	Medium Rare	Medium	Well Done
Fresh Beef - Medium Rare	145°F	160°F	170°F
Ground Turkey, Chicken	165°F		
Ground Veal, Beef, Lamb, Pork	145°F with 3 minutes of rest and then turn		
Fresh Pork - Medium		160°F	170°F
Chicken - Whole	165°F		
Turkey - Whole	165°F		
Poultry Breasts, Roast	165°F		
Poultry Thighs, Wings	165°F		
Stuffing (Cooked Alone Or In Bird)	165°F		
Duck And Goose	180°F		
Fresh Veal - Medium Rare	160°F		
Fresh Lamb - Medium Rare	145°F	160°F	170°F
Ham - Fresh (Raw)	145°F	160°F	170°F
Ham - Pre-Cooked (Reheat)	140°F		
SEAFOOD			
Fish	Cook until flesh turns opaque and flakes easily with a fork.		
Shrimp, Lobster, Crab	Cook until shells turn red and flesh becomes pearly opaque.		
Scallops	Should turn milky white or opaque and firm		
Clams, Mussels, Oysters	Cook until shells open.		

\*The above temperature settings are a guide, the temperatures may vary due to wind and outside ambient temperatures.



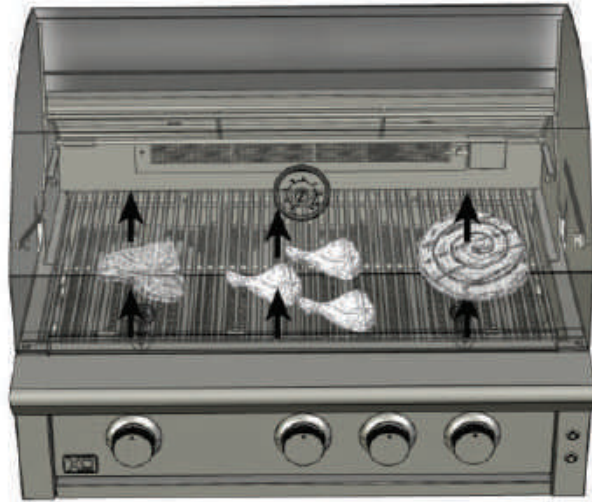
# GRILLING METHODS

## DIRECT COOKING METHOD

Direct cooking involves placing food on grates over direct heat. Use this method for foods that take less than 20 minutes to cook or use it to sear larger items before or after indirect cooking.

Place the food to be cooked directly on the preheated grates above firing burners and leave until they no longer stick. Turning too soon and too often are two of the most common grilling mistakes.

Use a meat thermometer to achieve desired doneness and remove items one degree below how you would like to enjoy them, as the resting period before carving or consuming will raise the temperature.



## INDIRECT COOKING METHOD

The indirect cooking method is a popular alternative to direct heat grilling. Indirect cooking uses heat from adjacent burners to cook food and, in many cases, this reduces the potential to overcook or overly brown food. The most common uses are for items that benefit from slower cooking such as breads or thicker cuts of chicken or roasts. Indirect cooking involves placing the food on grates above burners that are off and closing the grill hood to create an oven effect.

Items you usually oven-roast can be grilled to perfection using indirect heating. Preheat the burners surrounding the food to be cooked. Place a basting pan below the grates directly on the flame tamers under the food containing water or marinade to prevent the natural juices from burning or evaporating.



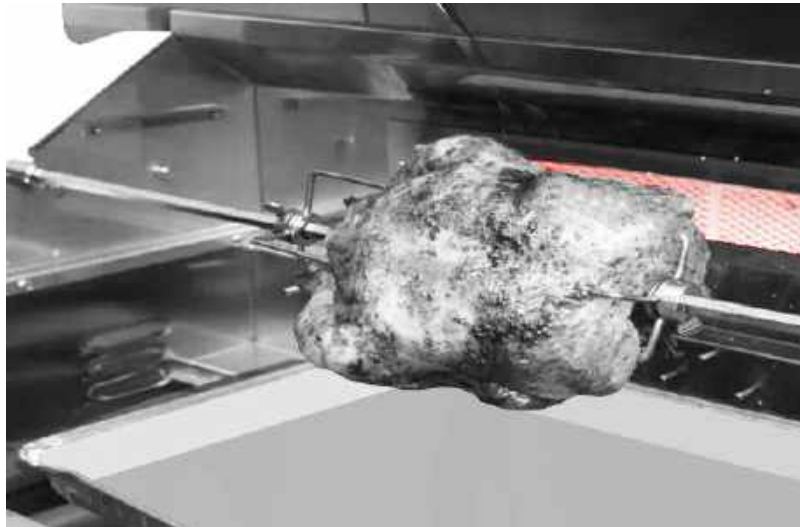
# GRILLING METHODS

## ROTISSERIE

Rotisserie is mostly used to cook large pieces of meat and poultry to assure slow, even cooking. Constant turning provides a self-basting action, making food cooked on a rotisserie exceptionally moist and juicy. Rotisserie cooking generally requires 1 ½ to 4½ hrs to cook depending on the size and type of meat being cooked. You can have rotisserie cooking with indirect heat as shown or with infrared rotisserie burner.

For successful rotisserie, the meat should be centered and balanced as evenly as possible on the spit rod to avoid overworking the rotisserie motor.

Since indirect heat is often used in cooking on a rotisserie, a foil or aluminum drip pan is advisable to prevent excessive flare-ups. Generally, the cooking grates are removed to allow for the swing of the rotisserie. A basting pan is placed under the rotisserie area on top of the flame tamers to catch the drippings.



## **!** CAUTION

Remove or tilt the warming rack up to prevent interference with the turning spit.

# A LITTLE TLC GOES A LONG WAY

## GRILL CLEANING AND MAINTENANCE

Proper care and maintenance will keep your grill in top operating condition and prolong its life. Follow these cleaning procedures on a timely basis and your grill will stay clean and operate with minimal effort. **CAUTION: Be certain your grill is off and cool before cleaning.**

### CLEANING THE COOKING GRATES

Before initial use, and periodically thereafter, wash your Cooking Grids in a mild soap and warm water solution. Use a wash cloth or vegetable brush to scrub them clean. After washing and before cooking, apply a light coating of a high temperature cooking oil like canola to the grate surface.

### CLEANING THE FLAME TAMERS

Periodically wash the Flame Tamers in soap and warm water using a vegetable brush to remove stubborn burnt-on cooking residue. Dry the Flame Tamers thoroughly before you reinstall them.

### CLEANING THE DRIP TRAY

To reduce the chance of fire, the drip tray should be visually inspected before each grill use. Remove any grease and wash drip tray with a mild soap and warm water solution.

### CLEANING INSIDE THE GRILL HOOD

Grease can build up on the inside of the hood over time and can drip outside the grill when opened. Visually inspect the inside of the hood before each use. Remove any grease and wash with a mild soap and warm water solution.

### ROUTINE CLEANING OF THE GRILL INTERIOR

Burning-off excess food after every cookout will keep it ready for instant use. However, at least every 6 months you must give the entire grill a thorough cleaning to minimize risk of grease fires and keep your grill in top shape.

### FOLLOW THESE STEPS:

1. Turn all control knobs off and turn off the gas supply (LP or Natural Gas)
2. Remove and clean the grates, flame tamers, warming rack, zone dividers and burners.
3. Scrape out and brush debris from the inside and bottom of the fire box. Then wash the interior with a fiber pad or nylon brush and a mild soap and warm water solution - rinse thoroughly and allow to dry.
4. Check all orifices for any obstructions.
5. Replace the burners, ensuring they are correctly centered on and overlapping each orifice.
6. Replace the flame tamers, zone dividers, warming rack and grates
7. Brush all vents, whether in a cart or built-in installation, free of any dirt or debris.
8. Reconnect the gas, ignite the burners and check the flame for correct operation.

# CLEANING AND MAINTENANCE

## CARING FOR STAINLESS STEEL

Wash regularly with clean fresh water, mild detergent and a microfiber cloth. After washing rinse with clean water and wipe the surface dry with a microfiber cloth. Be certain to go with the grain on brushed stainless steel. Generally you should wash your stainless steel every three months. In areas where the grill is exposed to high salt concentrations or chlorine such as coastal regions or near swimming pools, your stainless should be washed every two weeks. Failure to maintain the finish in such environments will lead to tea staining and corrosion. For better protection use a thin coating of protectant on the surface.

### **Common conditions that cause corrosion or discoloration of stainless steel:**

1. Chloride containing cleansers – this includes bleach and any cleaners containing bleach
2. Muriatic acid (hydrochloric acid) – commonly used to clean up after tile/concrete installation
3. Concentrated soap residue – chemical additives will cause discoloration and some dried soaps actually look like rust
4. Water with high iron content – can leave a rusty residue, especially if allowed to drip continuously
5. Contact with iron materials – including steel wool, iron residue/dust from installation or cleaning of other steel products
6. Don't allow trapped moisture between the product and cover – rubber mats, metal cans or cleaning products trapped moisture - allow cabinets to completely dry before covering.
7. Salts – contain chlorides
8. Extreme Heat by Flame
9. Do not permit citrus or tomato juice to remain on stainless steel surfaces.
10. Avoid all abrasive cleaners, steel wool or abrasive cloths as they will scratch the surface.

### **OXIDIZATION Removal**

If you have oxidation there are a few steps to take to bring your stainless appliances back to “like new” condition. Apply clean water with a cleaning sponge and rub gently in the direction of the grain. If the mark won't shift, it may be necessary to use a stainless steel cleaner, in which case apply the cleaner and rub gently. After cleaning it is important to rinse the stainless steel with clean fresh water and buff with a soft cloth, always rubbing with the grain. Rubbing across the grain can damage the finish and the stainless will lose its shine.

# CLEANING AND MAINTENANCE - BURNERS

Before removing burners ensure the gas supply is off and the knobs are in the “off” position. Make sure the grill has completely cooled before proceeding.

## TO REMOVE BURNERS:

Remove the grill racks, vaporizers and zone dividers. Remove the pin holding the burner in place. Grasp the burner, pull it up and slightly to the rear of the unit, so the burner head comes off the brass orifice at the front and remove. Be careful not to upset the air shutter position.

## BURNER CLEANING:

To maximize grill performance, clean the exterior of the burner with a wire brush. Clear stubborn scale with a metal scraper. Clear any clogged ports with a straightened paper clip. Never use a wooden toothpick as it may break off and clog the port. Shake out any debris through the air shutter. Use a flashlight to inspect the burner inlet to ensure it is not blocked. If obstructions can be seen, use a metal wire coat hanger that has been straightened out to clean.

## BETTER AIR ADJUSTMENT:

Each grill burner is tested and adjusted at the factory prior to shipment; however, variations in the local gas supply or a conversion from one gas to another may make it necessary to adjust the burners. The flames of the grill burners should be visually checked, adjusting the air shutter by opening the air shutter and slowly closing it until the flame starts to yellow. STOP and turn back 1/16", and tighten the screw. Flame should be blue with yellow tips when adjusted correctly.



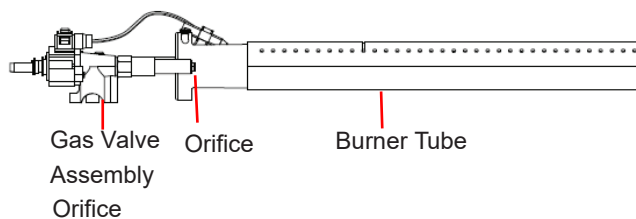
## WARNING

It is critical to center every burner on its orifice. If this is not done there will be a possible fire or explosion



## WARNING

For safe operation, make sure the Orifices are inside the Burner Tubes before using your grill. See figure. If the Orifice is not inside the Burner Tube, lighting the Burner may cause explosion and/or fire resulting in serious bodily injury and/or property damage.



Please Note that the air mixture for LP gas and NG is different. Your gas grill will come preset for your gas type. If you find that you are not getting the best flame you can adjust the air shutter and the O2 mix with gas will change the flame. The flame coming from your burner is extremely important. If the flame is not correct you will be able to adjust the flame as described in the section below.

# CLEANING AND MAINTENANCE - BURNERS



## WARNING

Spiders and small insects can spin webs and nest in the grill burner venturi which can lead to a gas flow obstruction resulting in a fire in and around the burner tubes. This type of "FLASHBACK FIRE" can cause serious grill damage and create an unsafe operating condition for the user. To reduce the chance of FLASHBACK FIRE you must inspect and clean the venturi at least twice a year in summer and fall, whenever spiders are active in your area, or if your grill has not been used for an extended period of time.

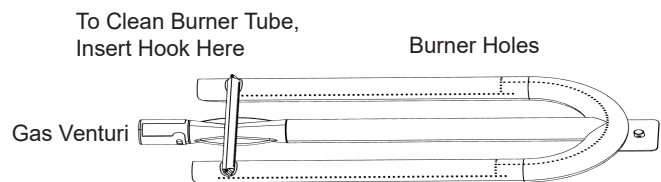
Remove the pin from the rear of each burner tube using needle nose pliers. Carefully lift each burner up and away from the gas valve orifice. Check the burner venturi tubes for insects and nests and clean as shown below. A clogged tube can lead to a fire beneath the grill.

FOR CLEANING, REFER TO METHODS 1-3 BELOW:

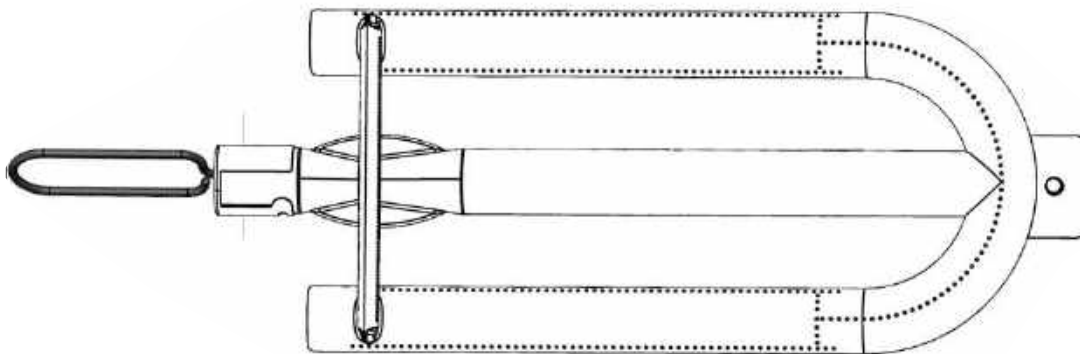
**METHOD 1:** Bend a stiff wire or wire coat hanger into a small hook as shown and run the hook through the Burner Tube and inside the Burner several times to remove debris.

**METHOD 2:** Use a bottle brush with a flexible handle and run the brush through the Burner Tube and inside the Burner several times to remove any debris.

**METHOD 3:** Use an air hose to force air through each Burner Tube. The forced air should pass debris or obstructions through the Burner and out the Ports.



For safe operation ensure the Gas Valve Assembly Orifice is inside the Burner Tube before using your grill. (See figure above). If the Orifice is not inside the Burner Tube, lighting the Burner may cause explosion and/or fire resulting in serious bodily injury and/or property damage.



# TROUBLE SHOOTING

Often minor issues can be resolved quickly and easily by the homeowner. This section is not intended as a replacement for qualified, professional service but rather as a general guide to determine if a service technician is needed.

If you are unsure of any issue or have a question regarding your gas grill, do not hesitate to contact our service team. They are here to help you.

XO Service can be reached at 973-403-8900 or email [service@easternmarketing.com](mailto:service@easternmarketing.com)

## BEFORE CALLING SERVICE - SOME COMMON QUESTIONS & FIXES:

1. Is there fuel supplied to the grill?
2. Is the main shut-off valve open?
3. Are you using the correct type of fuel for the grill? (Propane or Natural Gas)
4. Is the grill plugged in to a live, grounded GFCI electric circuit?
5. Are all burners out or just one?
6. Can you light the burner with a match?

### ISSUE

### POSSIBLE CAUSE (+REMEDY)

<p>Low Heat or Low Flame with the control knob set on High</p>	<p><b>For built-in / undersized supply line</b> (Consult code - recommended 3/4" ID pipe minimum) <b>For freestanding / kinked or restricted supply hose</b> (Reposition gas supply hose to remove restriction) <b>Dirty or clogged orifice or venturi</b> (see section on Cleaning Burners)</p>
<p>Uneven heating</p>	<p><b>Flame tamers have built up debris and residue</b> (Preheat for 10 minutes and see if it burns off) (Perform cleaning on flame tamers) <b>Drip pan needs cleaning</b> (Clean drip pan as per instructions) <b>Burners fouled or ports plugged</b> (Clean burners as per instructions)</p>
<p>Yellow flame accompanied by smell of gas</p>	<p><b>Insect blockage in burner venturi</b> (Thorough burner cleaning as per instructions) <b>Open or improperly set air shuttle</b> (Call for service)</p>

# TROUBLE SHOOTING

## ISSUE

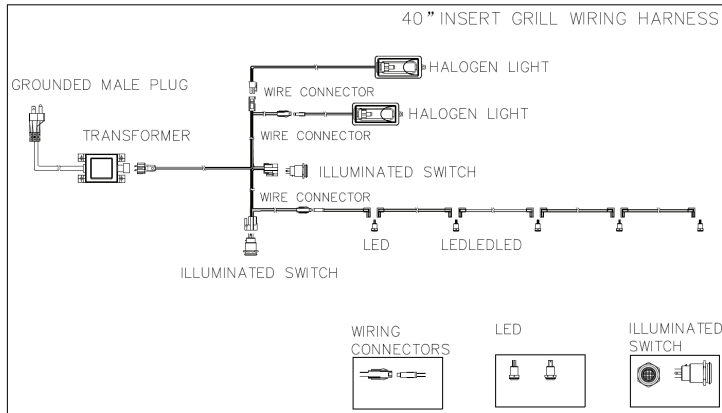
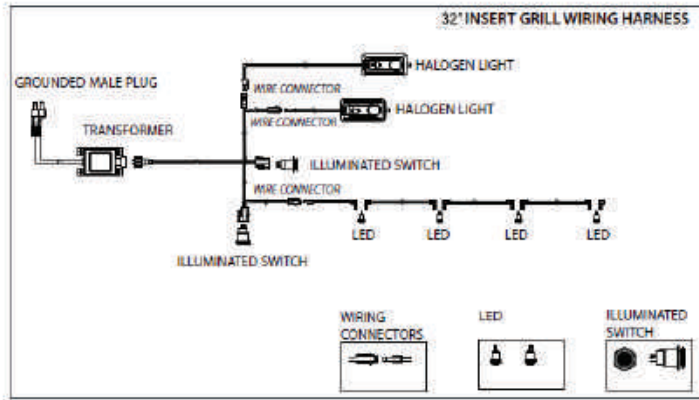
## POSSIBLE CAUSE (+REMEDY)

<p>Burner not lighting with igniter but will light with match</p>	<p><b>Dirty Electrode</b> (Clean electrode with Isopropyl Alcohol &amp; Cloth)</p> <p><b>Wet Electrode</b> (Wipe dry with cloth)</p> <p><b>Blocked or damaged valve</b> (Call for Service)</p>
<p>Humming Regulator Noise</p>	<p><b>Common internal vibration</b> (No service required)</p>
<p>Burners not cross lighting</p>	<p><b>Debris / Grease blocking cross lighting channels</b> (Clean crosslighting channels)</p> <p><b>Burner ports near cross light channels blocked</b> (Clear blocked burner ports with wire)</p>
<p>Infrared burner will not light</p>	<p><b>Knob must be held in for 30 seconds after ignition</b> (attempt to relight with long match holding knob in)</p>
<p>Infrared burner flashes back. While operating makes "Whoosh" noise. Surface grows dim.</p>	<p><b>Ceramic ports are clogged with debris</b> (Turn off for 2 minutes to cool - restart and run on high 5 minutes or until glowing red evenly)</p> <p><b>Cracked ceramic</b> (Call for service)</p>
<p>Control panel lights off</p>	<p><b>No power</b> (Check transformer plugged in &amp; GFCI has not tripped)</p> <p><b>Faulty transformer</b> (Check for 12v output - replace transformer)</p> <p><b>Faulty push button switch</b> (Test switch - change as necessary)</p>
<p>Burner goes out</p>	<p><b>Grill location - Wind Issue</b> (Relocate grill or install wind break)</p> <p><b>Burner misaligned</b> (Check to ensure burner is properly seated / Call for service)</p>
<p>Burner goes out on low setting</p>	<p><b>Supply hose is pinched or kinked</b> (Reposition supply hose)</p> <p><b>Dirty or clogged orifice or venturi</b> (see section on Cleaning Burners)</p>

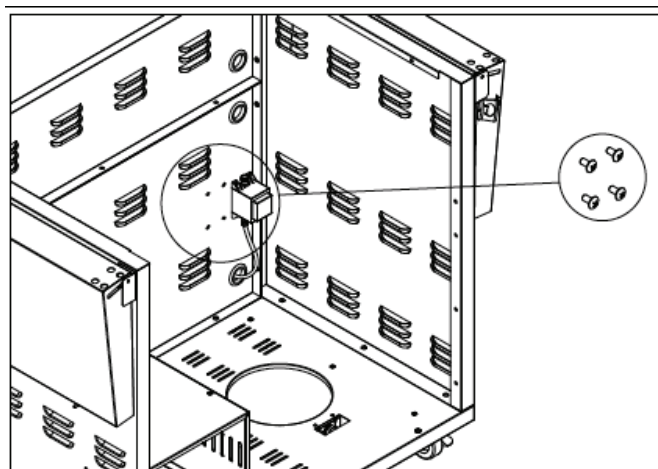


# ELECTRICAL WIRING

NOTE: This grill uses a transformer to provide power to the LED lights and work lights. The transformer should be secured to the island walls or cart back wall. Plug only into a Ground Fault Interrupter (GFCI) protected circuit.



NOTE: To install the electrical transformer to the cart use the 4 Bolts provided in your hardware pack. The transformer has 4 holes that will match up to the holes on the back panel of the cart. face the transformer main electrical wire "facing down" and the wire from the gas grill will connect securely into the top of the transformer making a watertight fit.



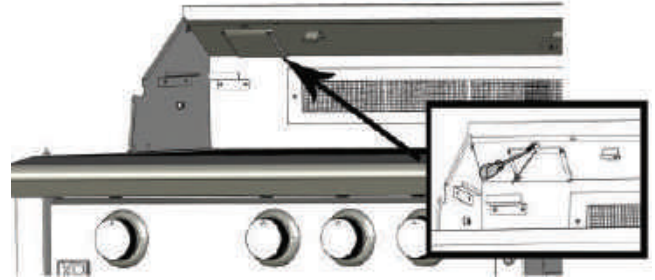
# REPLACING HALOGEN BULBS



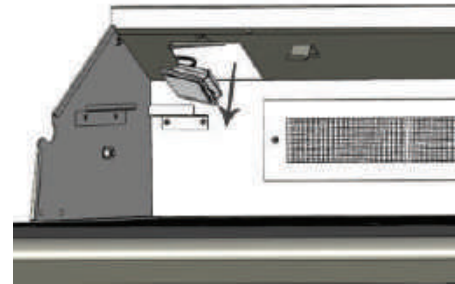
## NOTE

- Disconnect grill at power source before replacing lightbulbs
- Oil from your skin will reduce bulb life. Avoid touching the bulb with your bare hands. Hold the new bulb with a clean lint free cloth. Wipe the bulb clean after handling.

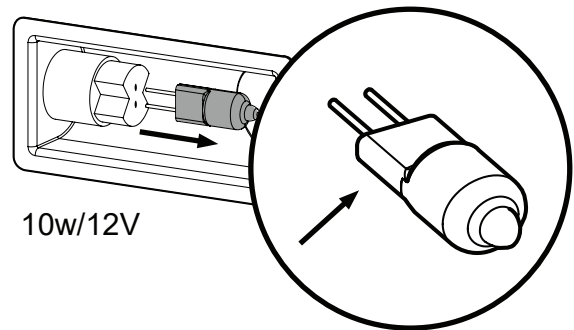
- 1 Unplug the grill from the power supply.  
Remove the screw holding the light housing using a #2 Phillips screwdriver.



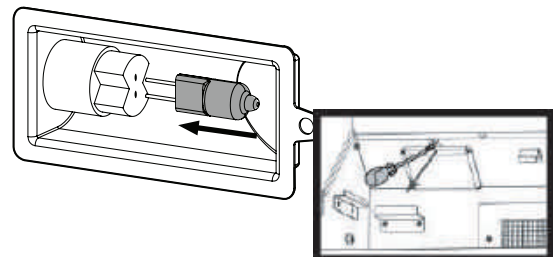
- 2 Carefully remove the housing from grill.  
**DO NOT PULL HARD**  
It is attached by electrical wires.  
Remove the clip holding the light cover to the main light housing.



- 3 With the light cover removed pull the halogen bulb out sideways from light socket.  
**CAREFUL** - the bulbs are fragile and can break, grip with your fingers only by the sides.



- 4 Replace bulb by pushing it straight into light socket. Re-attach light cover, and re-install housing repeating steps 2. and 3. in reverse order.



**REMEMBER - AVOID TOUCHING THE NEW BULB WITH BARE SKIN**

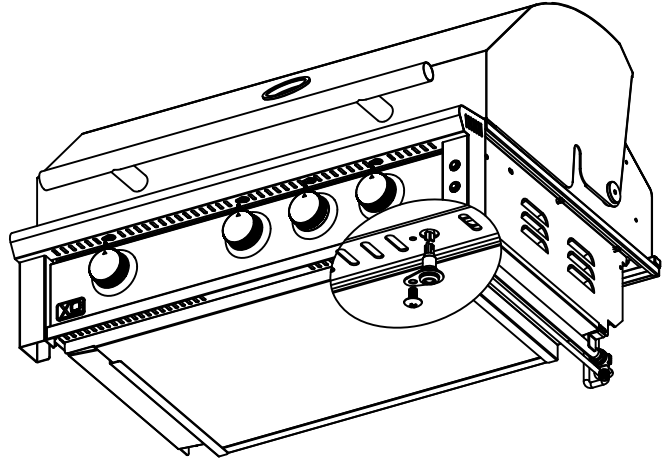
# REPLACING LED BULBS



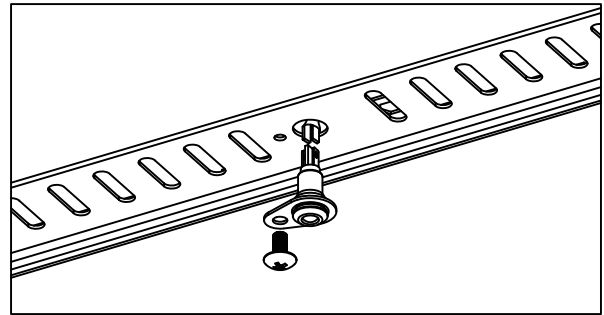
## NOTE

- Disconnect grill at power source before replacing lightbulbs

- 1** Remove the screws holding the LED light holder using phillips head screw driver.



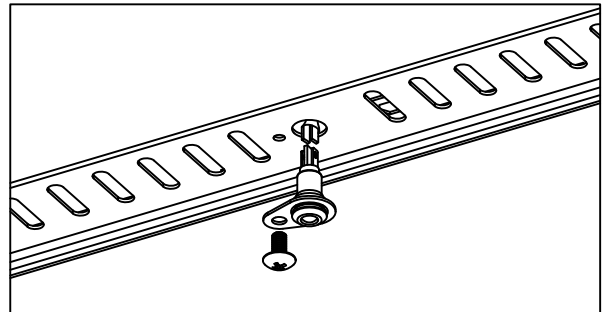
- 2** Remove the LED light assembly and disconnect it from the power connector.



- 3** Remove the lock nut and light holder from the old bulb. Using the lock nut from the new bulb, attach the light holder.



- 4** Connect the LED light assembly to the power connector and secure it to the grill with the screw removed in step 1.



# OBTAINING PARTS

## Parts Not Under Warranty

Parts can be ordered through XO directly.

## Warranty Parts

Warranty parts will need a proof of purchase and can be ordered by contacting XO appliances. Proof of purchase is required for warranty parts.

All parts listed in the Parts List have a Part Number. When ordering parts, first obtain the Model Number and Serial Number from the name plate on your equipment. Then determine the Part Number and the Description of each part from the following illustration and part list. Be sure to give all this information . . .

Appliance Model Number \_\_\_\_\_ Part Description \_\_\_\_\_

Appliance Serial Number \_\_\_\_\_ Part Number \_\_\_\_\_

Type of Gas (Propane or Natural) \_\_\_\_\_

Do not order bolts, screws, washers or nuts. They are standard hardware items and can be purchased at any local hardware store. Shipments contingent upon strikes, fires and all causes beyond our control.

---

Your XO Premium Gas Grill is identified by model number, serial number, and gas type. This information is provided on a product identification label located on the left side of the grill and under the grill's drip tray. For your convenience, complete this section for future reference when contacting XO Appliance.



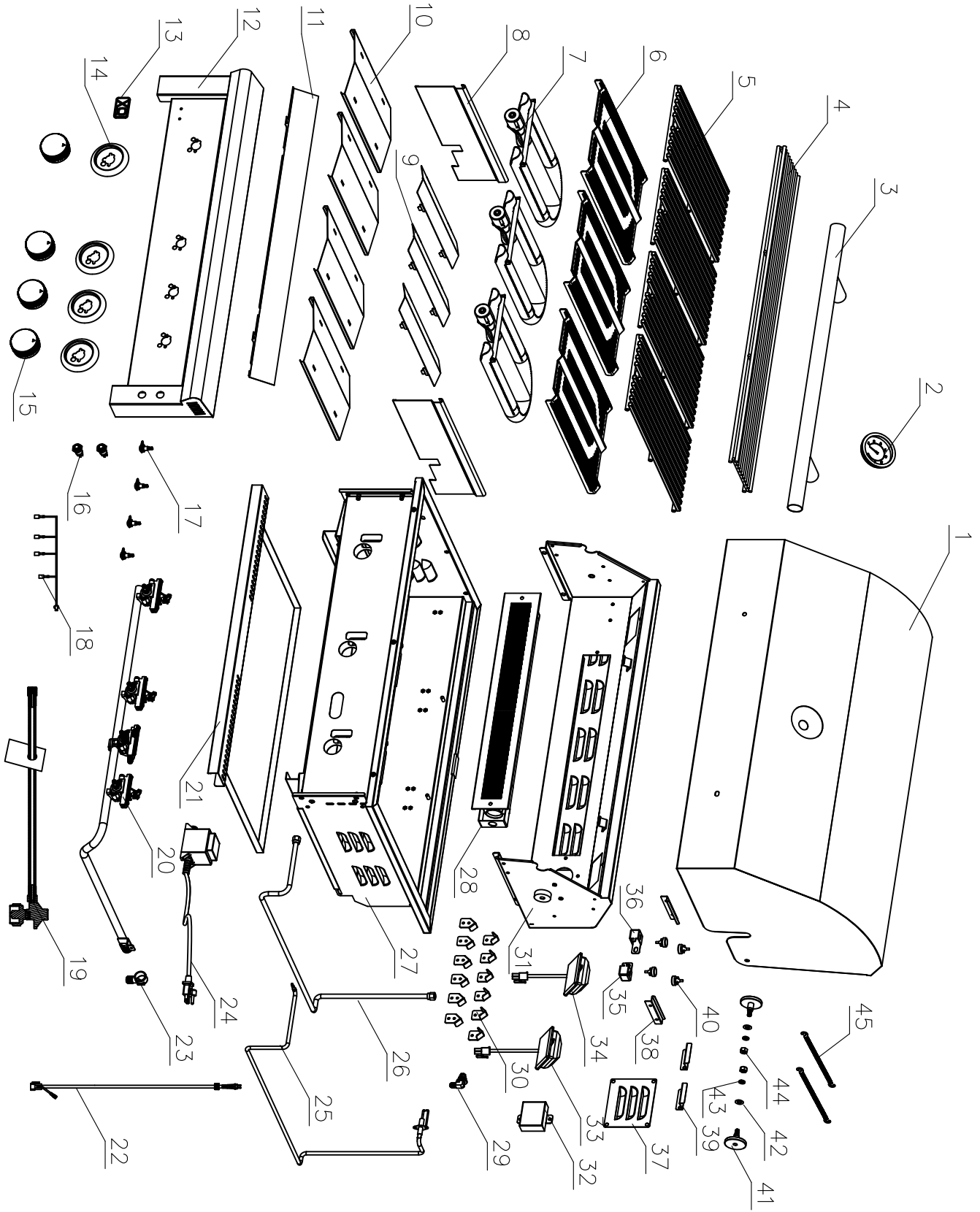
**CALL 973-403-8900**

**service@easternmarketing.com**

# PARTS LIST

ITEM	DESCRIPTION	QTY (32XLT)	QTY (40XLT)
1	HOOD ASSEMBLY	1	1
2	THERMOMETER	1	1
3	HOOD HANDLE ASSEMBLY	1	1
4	WARMING RACK	1	1
5	COOKING GRATE	4	5
6	FLAME TAMER	3	4
7	BURNER ASSEMBLY	3	4
8	HEAT ZONE SEPARATER	2	3
9	UPPER DRIP PAN BAFFLE	3	4
10	LOWER DRIP PAN BAFFLE	4	5
11	LED HEAT SHIELD	1	1
12	CONTROL PANEL ASSEMBLY	1	1
13	LOGO PLATE	1	1
14	KNOB BEZEL	4	5
15	KNOB	4	5
16	LIGHT SWITCH	2	2
17	LED LIGHT	4	5
18	LED WIRE	1	1
19	REGULATOR HOSE ASSEMBLY	1	1
20	MAIN VALVE ASSEMBLY	1	1
21	DRIP TRAY ASSEMBLY	1	1
22	WIRING HARNESS	1	1
23	FITTING	1	1
24	TRANSFORMER	1	1
25	IGNITION NEEDLE ASSEMBLY	1	1
26	FLEX LINE	1	1
27	FIREBOX ASSEMBLY	1	1
28	REAR BURNER	1	1
29	REAR BURNER ORIFICE	1	1
30	FLAME TAMER SUPPORT	12	16
31	FIRE BOX BACK WALL ASSEMBLY	1	1
32	IGNITION COVER	1	1
33	HALOGEN LAMP 1	1	1
34	HALOGEN LAMP 2	1	1
35	HOOD SUPPORT RIGHT	1	1
36	HOOD SUPPORT LEFT	1	1
37	LOUVER COVER	1	1
38	WARMING RACK FRONT SUPPORT	2	2
39	WARMING RACK REAR SUPPORT	2	2
40	RUBBER BUMPER	4	4
41	HOOD SPIN AXIS	2	2
42	M6 FLAT WASHER	2	2
43	M6 SPRING WASHER	2	2
44	M6 LOCK NUT	2	2
45	SPRING	2	2

# PARTS BREAKDOWN



# WE'VE GOT YOUR BACK

## XO Limited Warranty

### WARRANTY TERMS FOR XO - RESIDENTIAL USE ONLY.

#### XO Stainless Steel Gas Grills & Gas Burners

XO warrants this XO stainless steel gas grill to be free from defects at the time of purchase and for the periods specified below. The grill must be installed by a qualified technician and must be maintained and operated safely, in accordance with the instructions in the owner's manual. This warranty applies to the original purchaser only and is not transferable. All warranty repairs must be accomplished by a qualified gas appliance technician.

#### Limited Lifetime Warranty

XO warrants the stainless steel tube main burners and fabricated stainless steel housing, to be free from defects in materials and workmanship under normal residential use for the lifetime of the product. This warranty excludes discoloration, surface scratches, weather and atmospheric related staining, and minor surface rust and oxidation which are normal conditions and are to be expected with any outdoor product. The actual part will be repaired or replaced, free of charge, with the owner paying for all other costs including labor, shipping and handling.

#### FIVE YEAR LIMITED WARRANTY

XO warrants the flame tamer, stainless steel grates, drip pans and gas valves to be free from defects in materials and workmanship under normal residential use for a period of five years from the original date of purchase. The actual part will be repaired or replaced, free of charge, with the owner paying for all other costs including labor, installation, shipping and handling charges.

#### TWO YEAR LIMITED WARRANTY

XO warrants all other grill components to be free from defects in materials and workmanship under normal residential use for a period of two years from the original date of purchase. The actual part will be repaired or replaced, free of charge, with the owner paying for all other costs including labor, installation, shipping and handling charges.

#### COMMON AREA WARRANTY

A 180 day warranty applies to applications where use of the product extends beyond normal residential use such as bed and breakfast inn, private clubs, multidwelling condos and apartments. The actual part will be repaired or replaced, free of charge, with the owner paying for all other costs including labor, installation, shipping and handling charges. This warranty excludes all commercial locations such as restaurants and food service locations.

#### WARRANTY LIMITATIONS & EXCLUSIONS

This warranty shall apply only to the products purchased and located in the continental United States and Canada. The warranty coverage begins on the original date of purchase and proof of date of purchase is required. In order to activate the warranty, we require that you register your product online at [www.xoappliance.com](http://www.xoappliance.com) within 90 days of purchase. This warranty applies only to the original owner and may not be transferred. This warranty does not apply to damages resulting from negligence, alteration, misuse, abuse, accident, natural disaster, loss of electrical power to the product for any reason, improper installation or improper operation, unauthorized adjustments or calibrations, dings, dents, scratches, or damages due to harsh cleaning chemicals. This warranty does not apply to commercial use, or to products with altered or removed serial numbers. XO shall not be liable for incidental, consequential, special or contingent damages resulting from its breach of this written warranty or any implied warranty.

**FOR WARRANTY SERVICE & REPLACEMENT PARTS: check the contact & support section of our website [www.xoappliance.com](http://www.xoappliance.com), email us at [service@easternmarketing.com](mailto:service@easternmarketing.com) or call**

**1-973-403-8900**

**120 Eagle Rock Ave., Suite 303, East Hanover, NJ 07936**



1-973-403-8900

Visit our web site at [www.xoappliance.com](http://www.xoappliance.com)

