

Ecostat E
Pressure Balance Trim
 Finishes : **brushed nickel** Part no. : **15718821**



Description

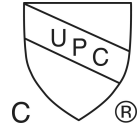
Features

- Flow: 5.44 GPM (20.6 L/Min)
- Integrated bypass for use with diverter tub spouts
- Temperature and on/off control for 1 outlet

Item details

List Price \$ 274.00

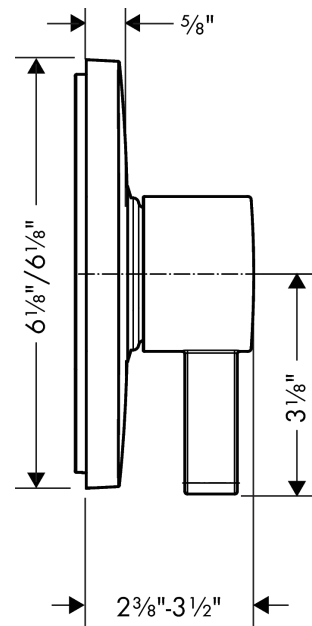
Compliance



Product image



Scale drawing



Ecostat E

Pressure Balance Trim

Finishes : **brushed nickel**

Part no. : **15718821**



Exploded drawing

Year of production: **>07/18**

