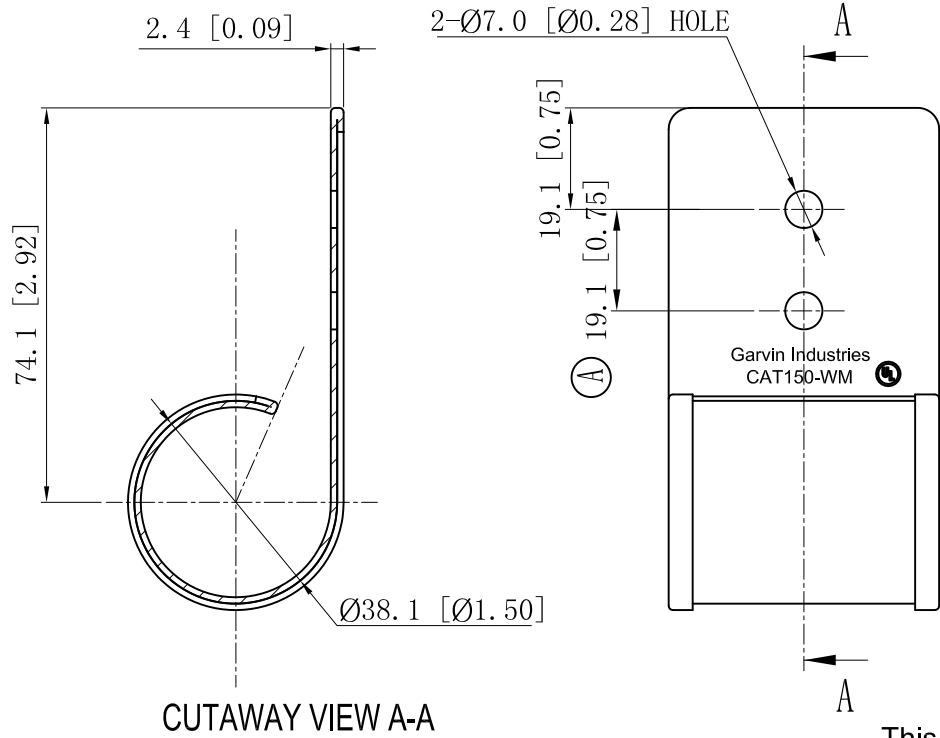
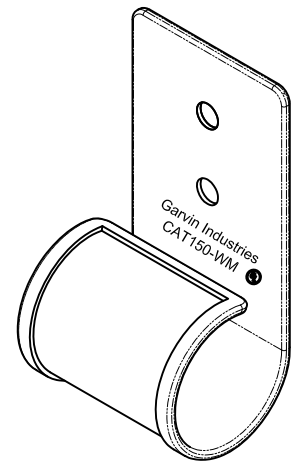
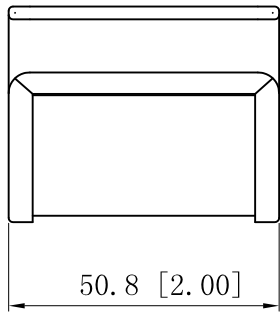


SIDES	BOTTOM
Material: Steel-0.047"-Galvanized	



This data sheet is for reference only .GARVIN INDUSTRIES reserves the right to make changes to the design without prior notice.

DESCRIPTION
TRADE REFERENCE TERMS

STANDARD PACKING	GARVIN INDUSTRIES		
	TITLE CAT WIRE RINGS		
	SIZE	DWG NO.	REV
	A4	CAT150-WM	C
DATA SHEET			
www.garvinindustries.com			