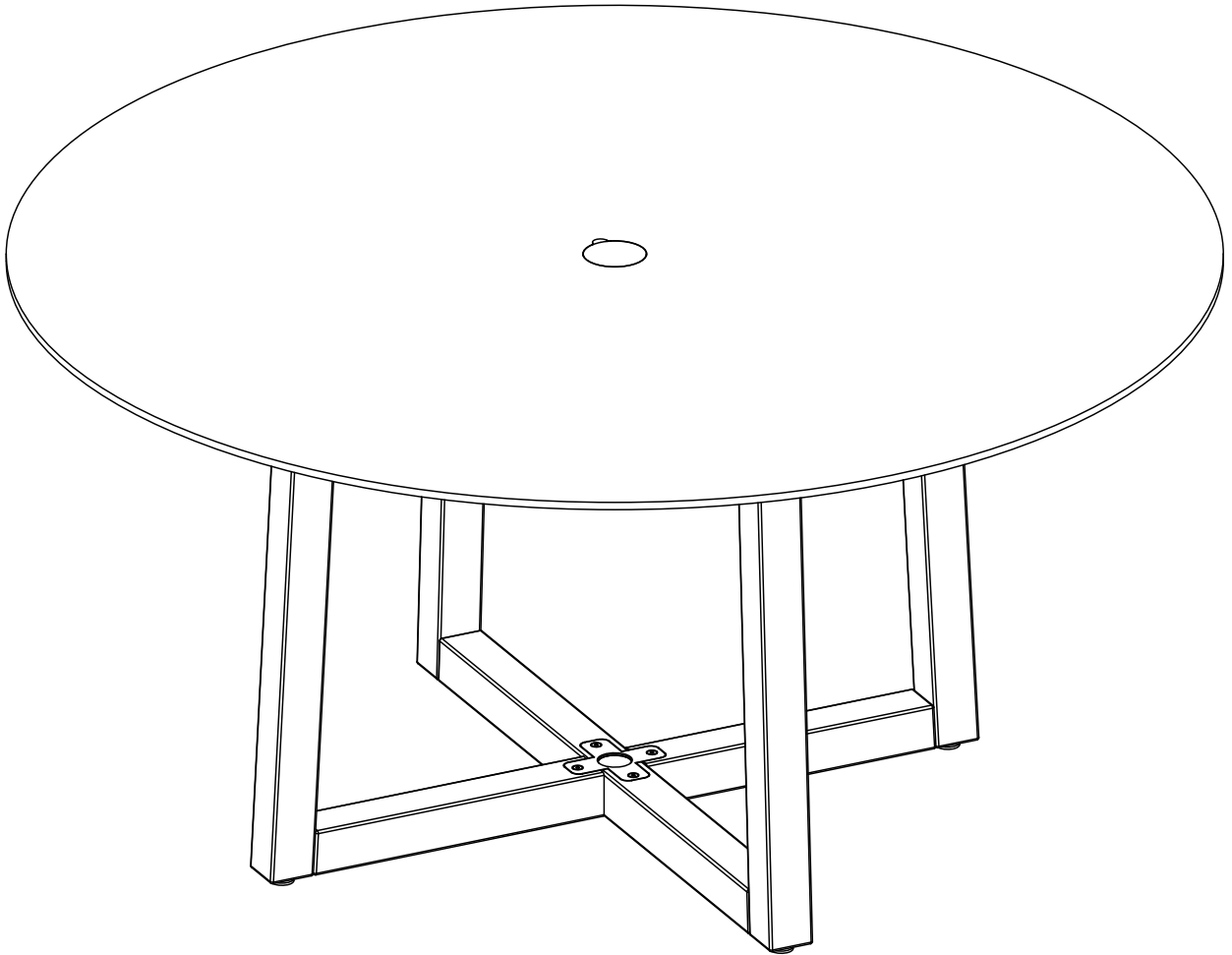


FLEXSTEEL®  
OUTDOOR LIVING



G6300-835

# 60" Dining Table

Assembly instructions

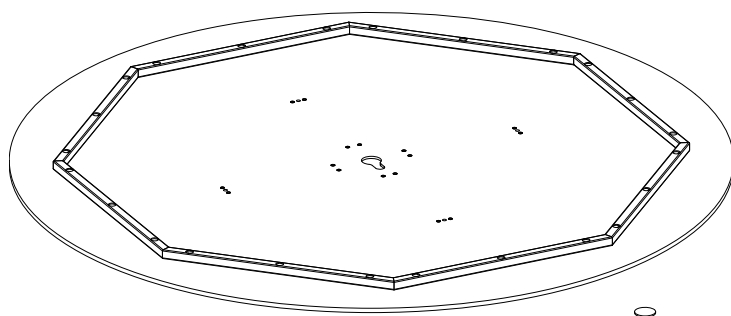
Thank you for bringing Flexsteel furniture to your outdoor space.

Below are the step-by-step instructions to assemble your new product. Additionally, we have provided an assembly video that you can access through the QR code on the right.

All the parts and tools are included. Let's get started!



## PART LIST:



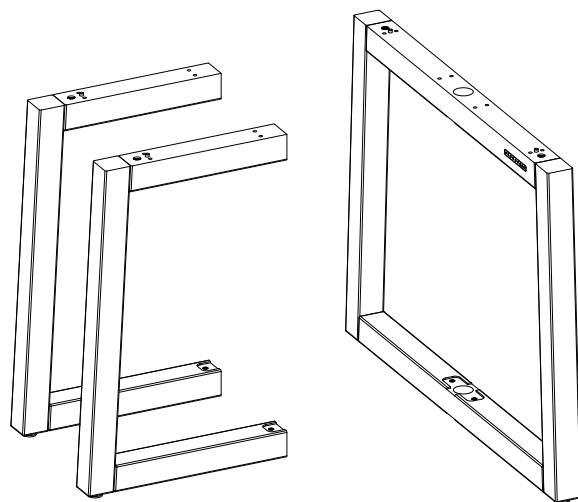
1x table top  
1x umbrella hole cap



1x mounting plate with  
umbrella fixing



2x flat mounting plate



2x shorter base  
component

1x longer base  
component

## FITTINGS AND TOOLS:



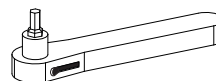
12x short screw



16x long screw



1x hex key with ball ending



1x ratchet screwdriver

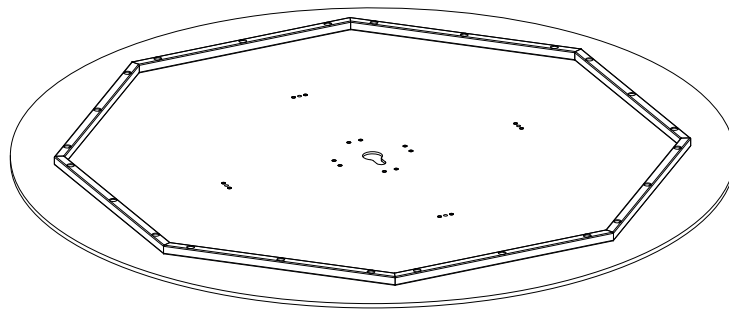
**Important Notice:** Solid wood furniture is susceptible to natural contractions with changes in humidity and temperature. For smooth assembly, **avoid fully tightening screws initially**; position them first, then gradually tighten all screws evenly once assembly is near completion.

Prior to assembly, secure the floor to prevent any scratches on the tabletop.

It is advisable to enlist the help of another person, especially when placing the assembled table on its legs.

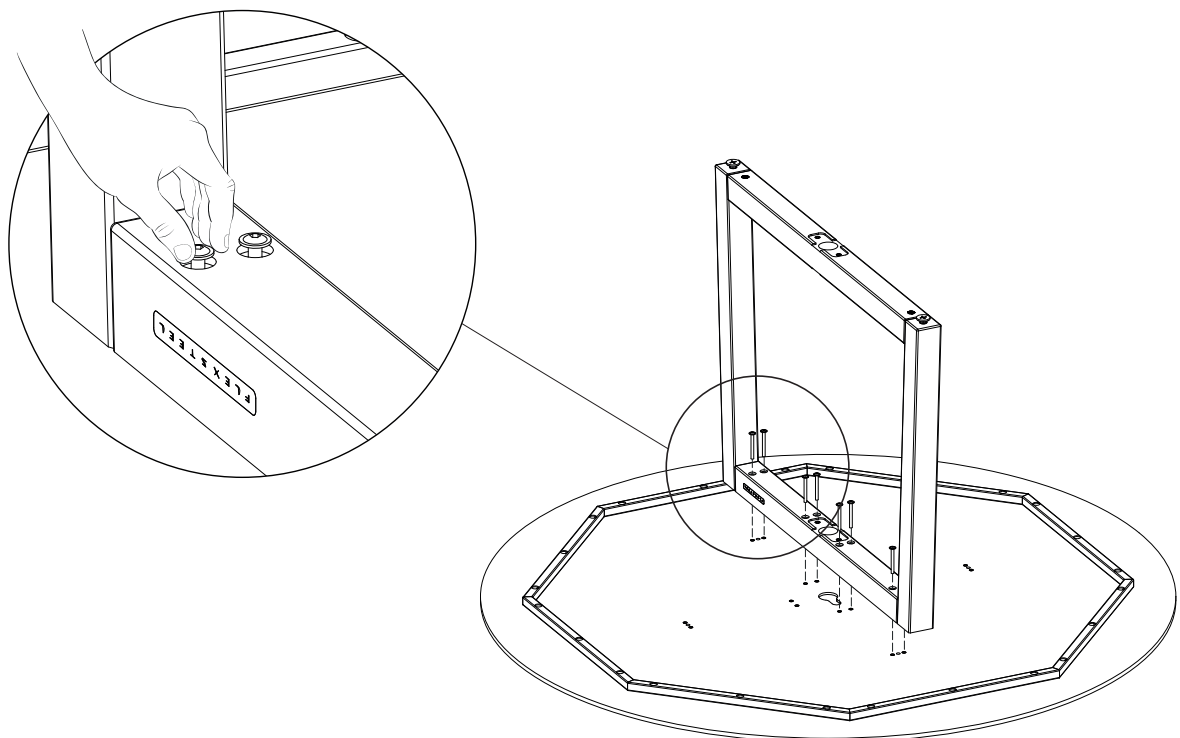
## Step 1

Lay the tabletop on a flat surface with the underside facing up.



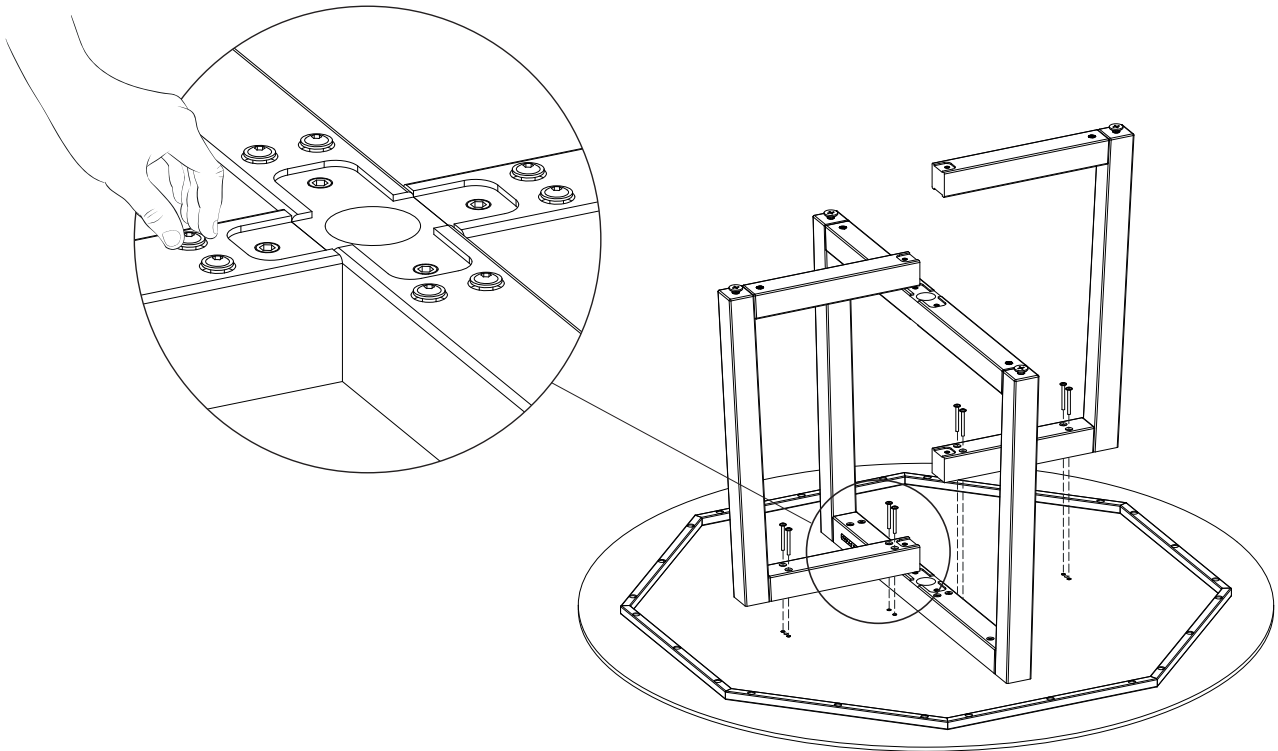
## Step 2

Place the long leg component to the tabletop and attach it using 8 long screws. However, refrain from tightening them fully at this point; a few turns for each screw are sufficient.



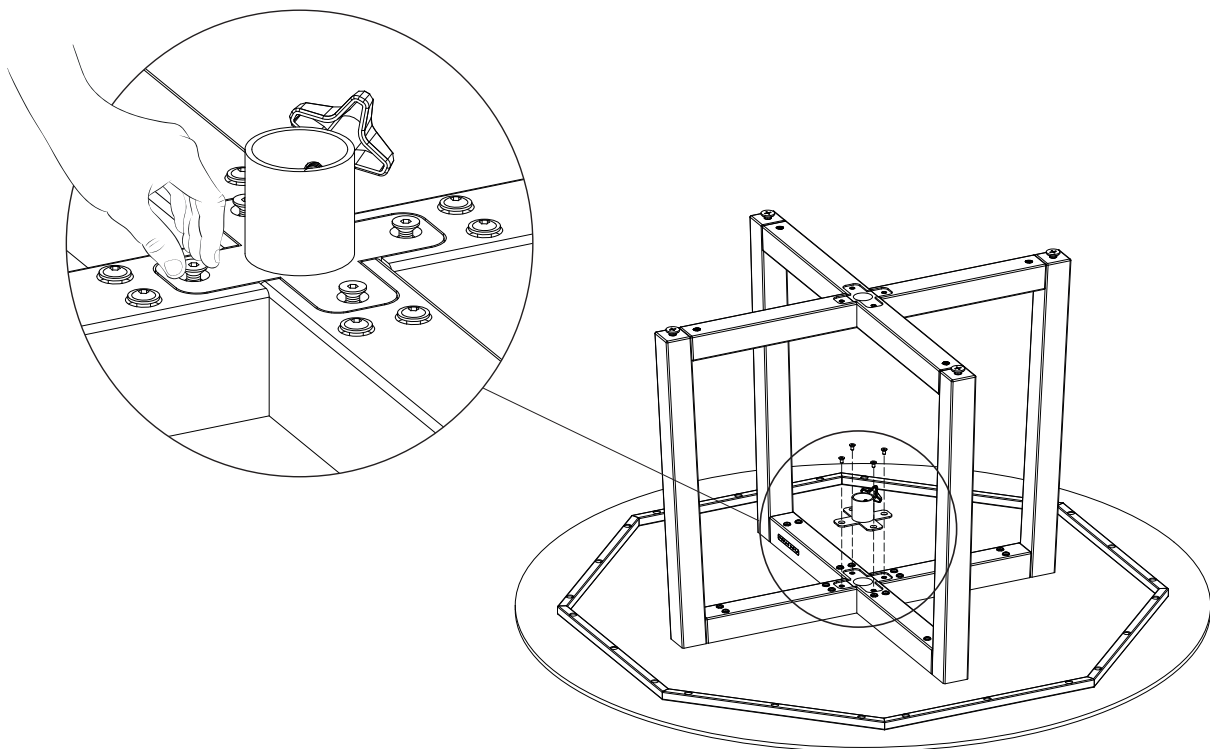
### Step 3

Attach two shorter leg components to the tabletop, on both sides of the component you already fixed, using 4 longer flathead screws each. Again, refrain from tightening them immediately.



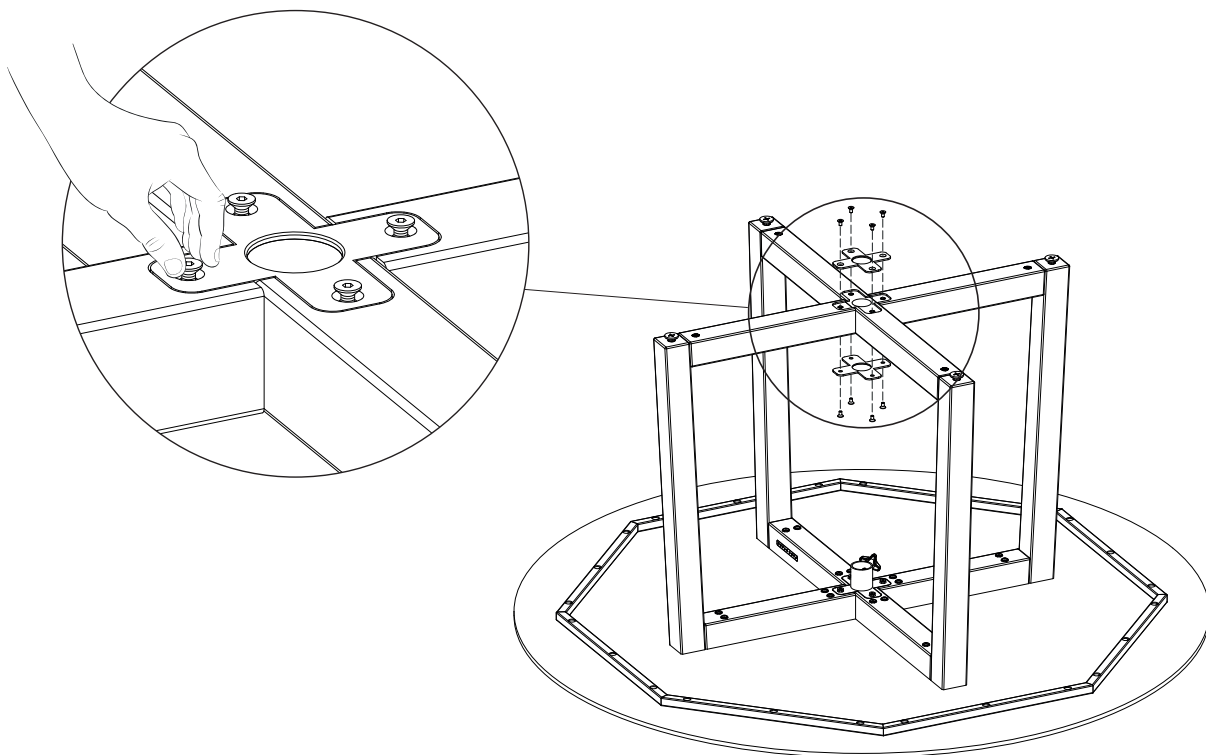
### Step 4

Attach lightly the mounting plate with the tube for the umbrella. Use 4 shorter flathead screws.



## Step 5

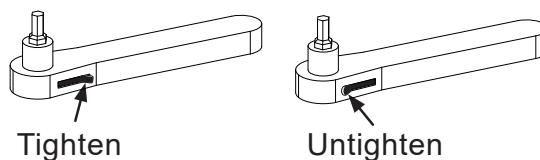
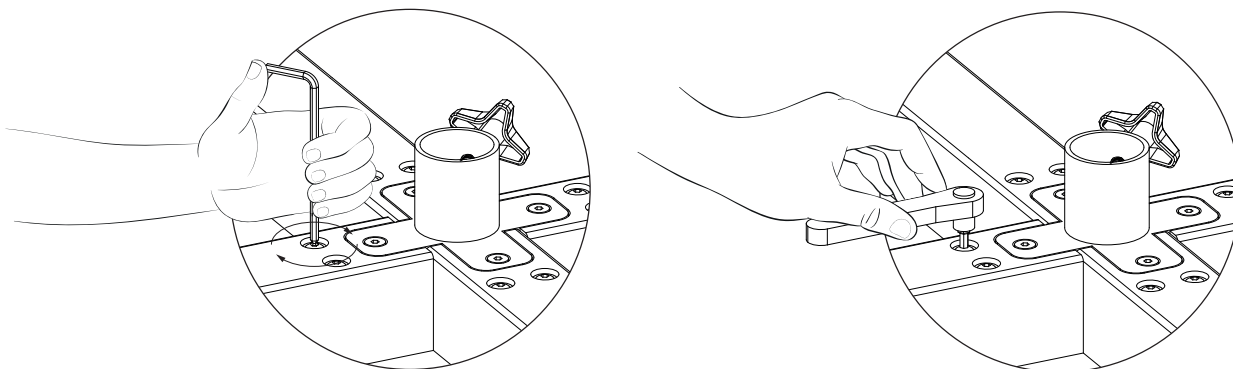
Fix all base components with 2 flat plates. Use 4 shorter flathead screws per each plate. Pay attention to the orientation of the plates - the chamfered edges of the screw holes should face outwards, so the screws heads fit snugly inside.



## Step 6

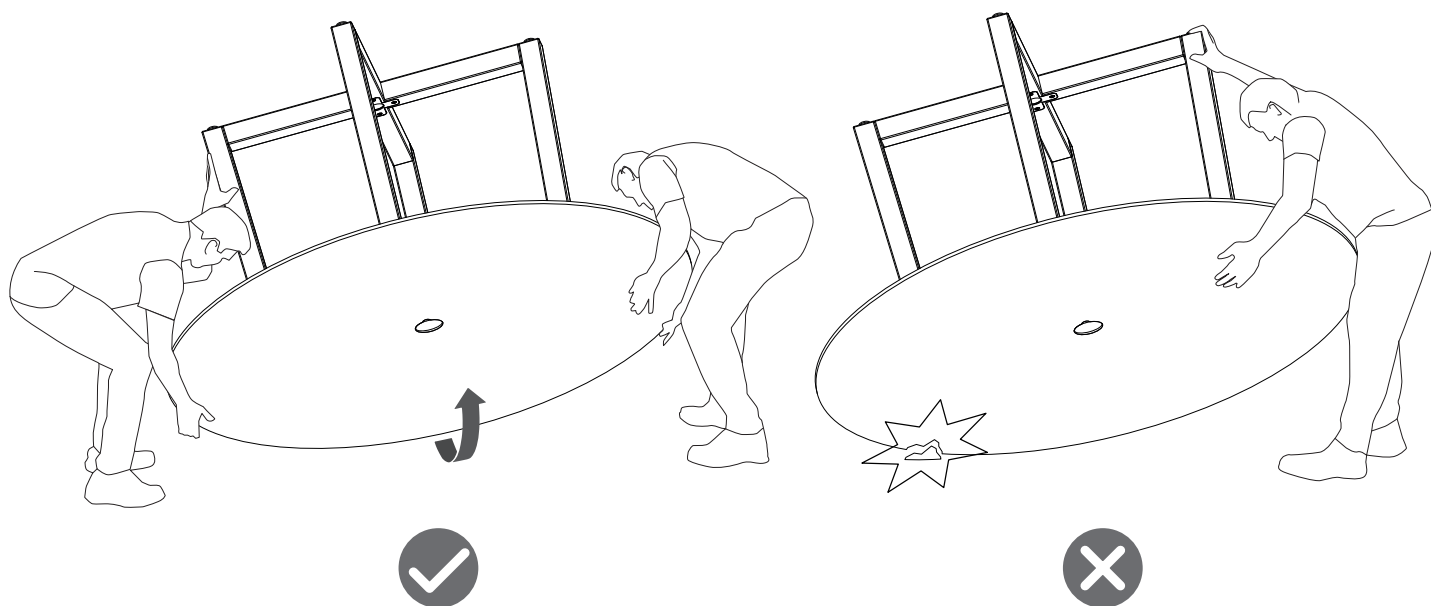
Now, tighten all the screws progressively, using the tool of your choice. If you use provided ratchet screwdriver, make sure to switch it to correct position.

**Important:** Add a few turns to each screw until they are evenly tightened; avoid tightening them fully one by one.



## Step 7

With someone to help you, carefully lift the table and rotate it while holding both the wood frame and tabletop simultaneously. Avoiding rotating by the tabletop only and prevent excess weight on the legs to avoid potential damage.

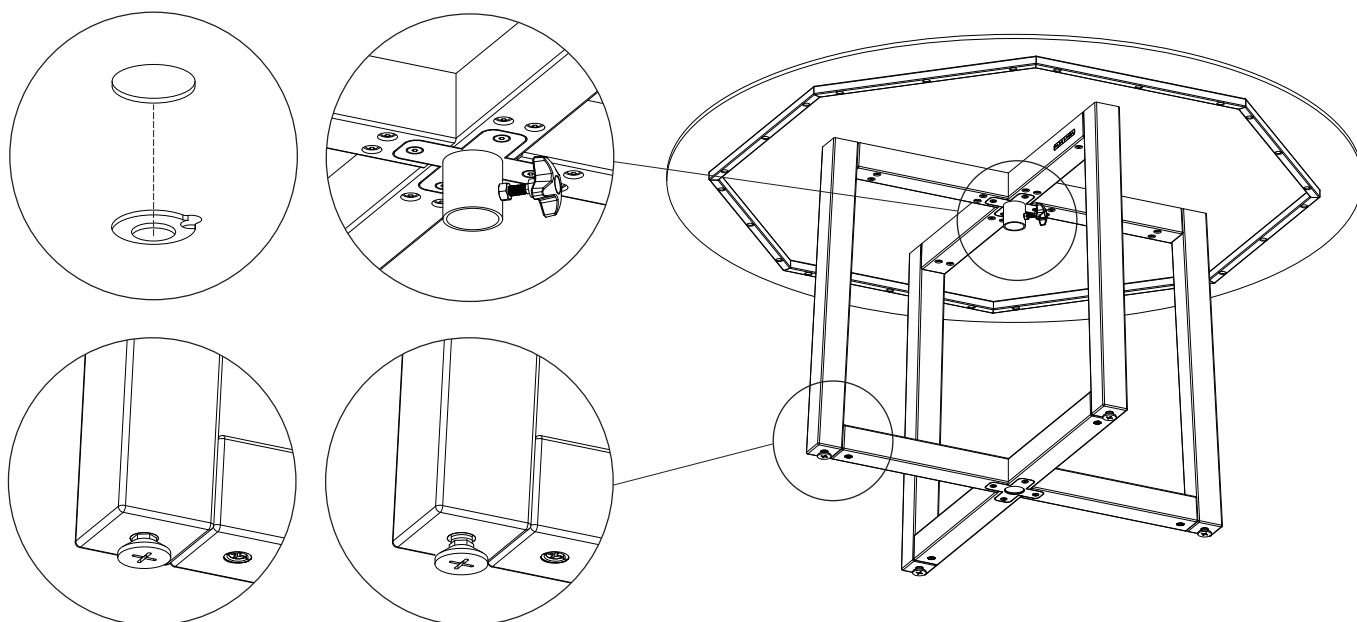


## Step 8

Cover the umbrella hole in the center using the provided cap.

Note that the winder, pre-installed in the tube under the tabletop, will help secure the umbrella in place.

Tip: If you place your table on uneven flooring, you can adjust the levelers on the table feet simply by turning them no more than 2-3 turns per foot. This adjustment is not intended for changing the height but rather to prevent any instability.



## Product care tips

---

### Cleaning and Maintenance:

- Regular cleaning: Clean the furniture regularly, removing dirt, dust, and other deposits. You can do this with a damp cloth or sponge.
- Gentle cleaning agents: For more intensive cleaning, use mild cleaning agents such as mild dish soap dissolved in water. Avoid strong chemicals that may damage the surface.
- Start cleaning from a small, inconspicuous area (preferably the underside of the furniture) and check for any changes.
- Avoid sharp tools: Do not use hard brushes or sharp tools to prevent surface scratches.
- HPL panels do not require additional maintenance.

### Storage:

- Avoid direct sunlight exposure to prevent fading or change in color.
- To prolong the life of your outdoor furniture, we recommend using furniture covers when not in use.
- During winter and inclement weather: If possible, store the furniture indoors during the winter or when the weather is unfavorable. If indoor storage is not available, we recommend using furniture covers to protect them from weather conditions.
- The furniture is equipped with feet to protect against moisture from the ground. If possible, place them on a hardened surface, avoiding direct contact with the ground. During extended periods of non-use or inclement weather, it is advisable to store the tables on a solid and level surface to minimize prolonged exposure to uneven or damp ground.

### Usage:

- Never step on table tops.
- Do not move large furniture alone by dragging the furniture legs on the floor – you risk damaging the structure.
- Periodically check for any loosening of the structure - tighten screws if necessary.
- Avoid direct contact with hot objects: hot pots, pans, or other hot objects, to prevent permanent damage.

**F L E X S T E E L<sup>®</sup>**

**CUSTOMER SERVICE**

Call toll-free: 1-888-415-3979

Monday-Friday | 8:00 a.m.-5:00 p.m. (Central Time)

(Phone number is not valid in Mexico; toll-free in the  
U.S.A and Canada only)

Email: [customersolutions@flexsteel.com](mailto:customersolutions@flexsteel.com)