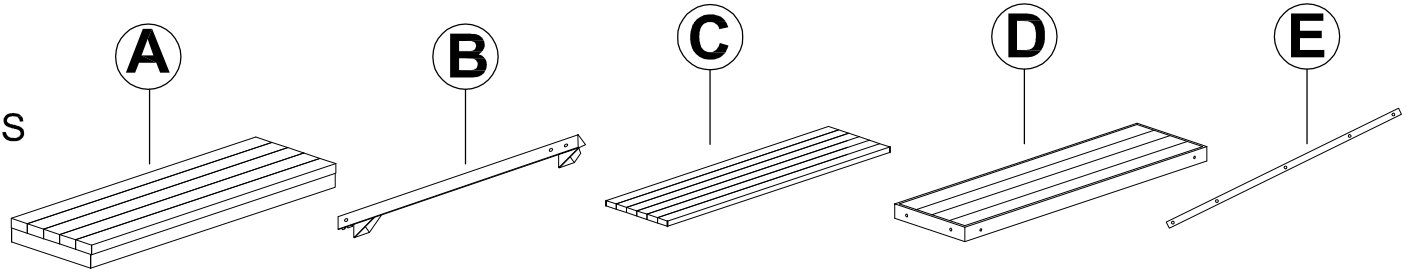


# DUBOIS OPEN CURIO ASSEMBLY INSTRUCTIONS



## PARTS PACKING CONFIGURATION

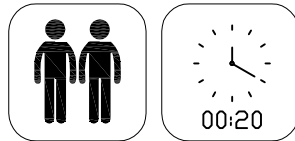
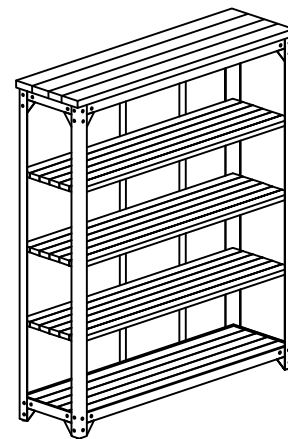
- A. TOP PANEL 1 PC
- B. LEG 4 PCS
- C. SHELF 3 PCS
- D. BOTTOM SHELF 1 PC
- E. BACK STRETCHER 2 PCS



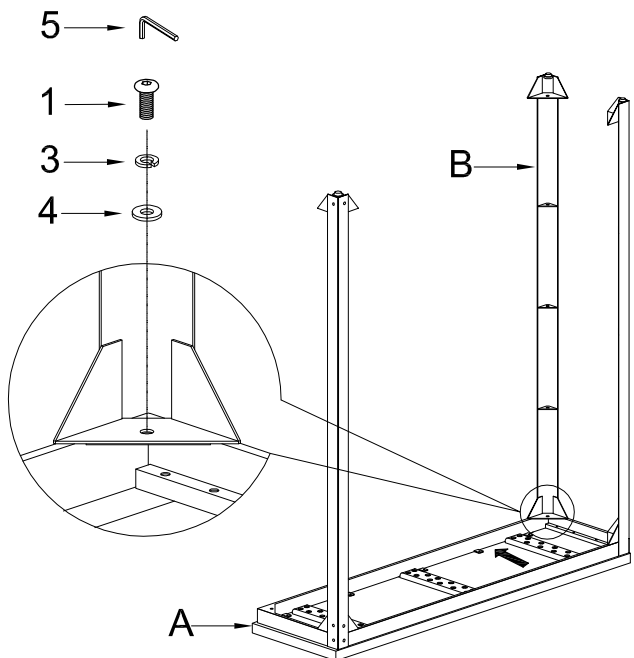
### HARDWARE ENCLOSED IN CARTON

No	Description	Photo	Quantity
1	ALLEN BOLT (1/4" x 3/4")		24 PCS
2	ALLEN BOLT (1/4" x 1")		6 PCS
3	LOCK WASHER (1/4")		30 PCS
4	FLAT WASHER (1/4")		30 PCS
5	ALLEN KEY (1/4")		1 PC

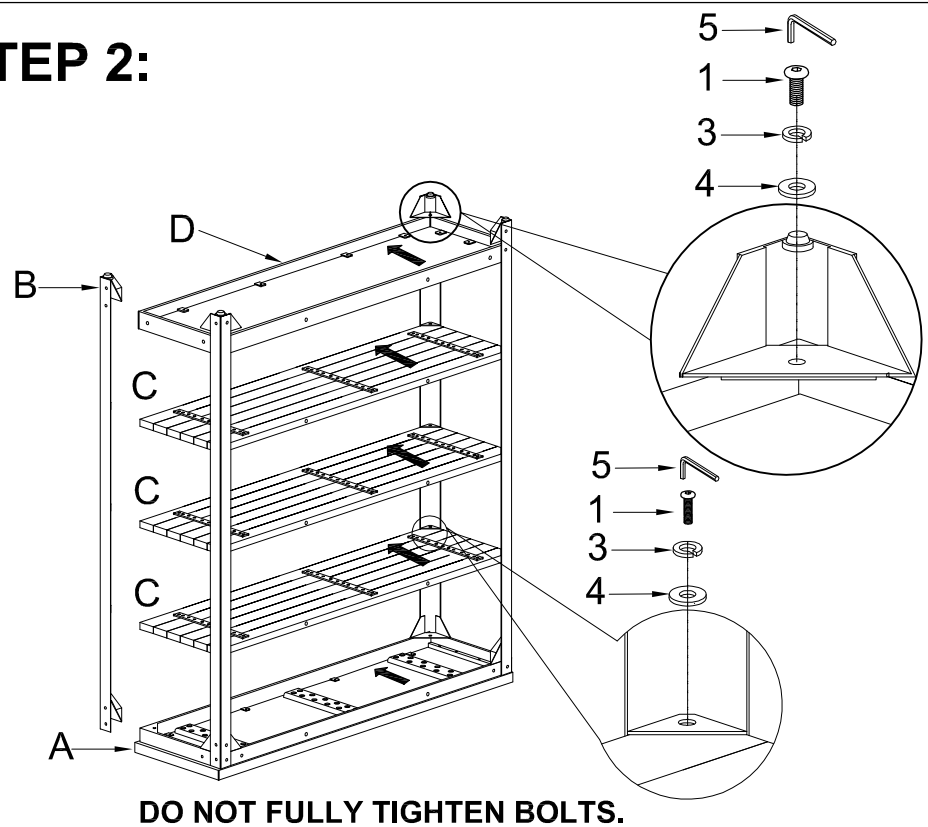
### DUBOIS OPEN CURIO FULLY ASSEMBLED



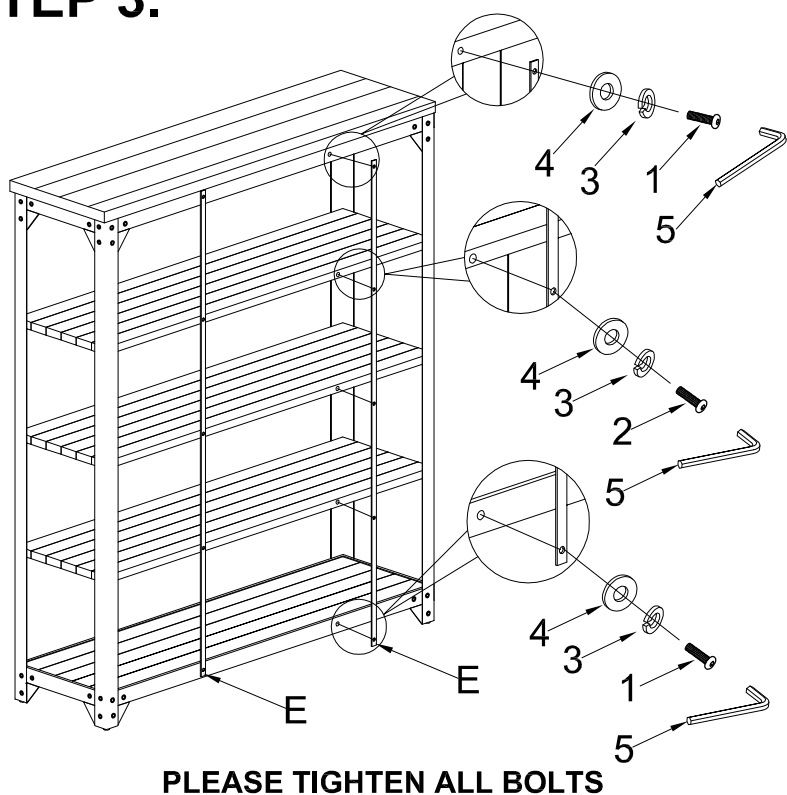
### STEP 1:



### STEP 2:



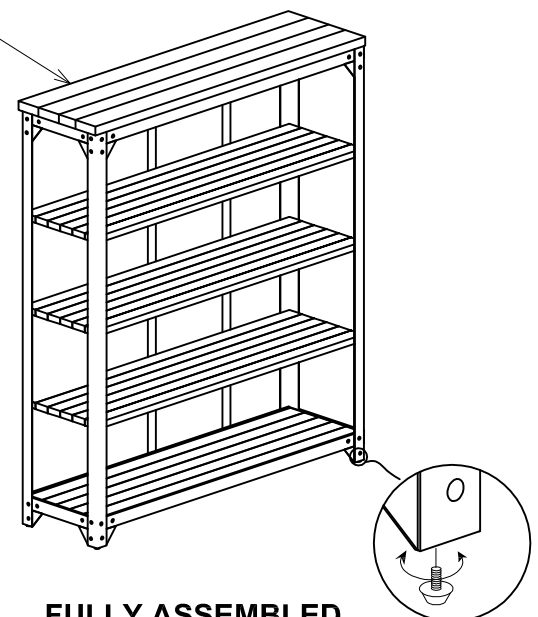
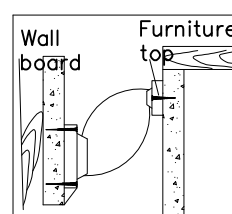
### STEP 3:



PLEASE TIGHTEN ALL BOLTS

### STEP 4:

#### ANTI-TIPPING HARDWARE



FULLY ASSEMBLED

IF THE UNIT IS NOT LEVEL ON YOUR FLOOR, PLEASE ADJUST LEVELERS ON UNDERSIDE OF LEGS (B).