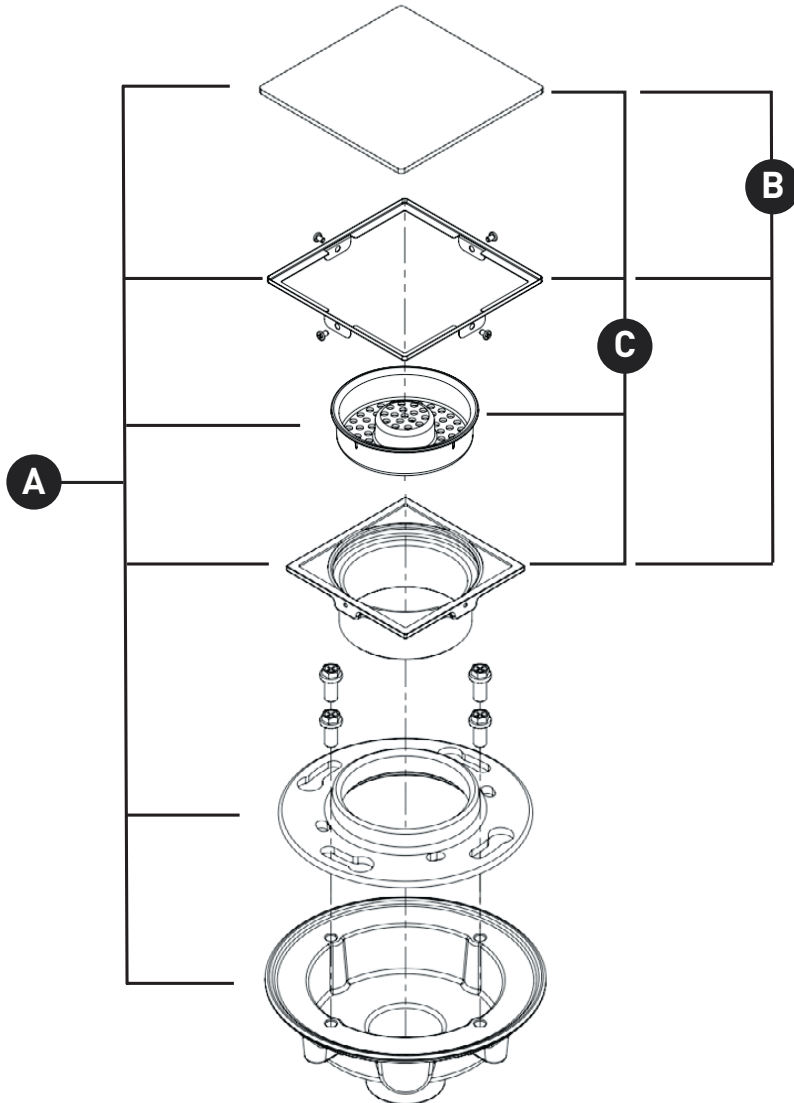


ORDER BY PART NUMBER

ILLUSTRATED PARTS

SDCI2

Cast Iron 2" No Hub Drain Body Kit



ID	Kit Number	Finish
A	SDABS2/3	N/A
	SDPVC2/3	N/A
B	DT122ABS2	N/A
C	DT123ABS3	N/A

For warranty or additional information, contact:

U.S.A.
houseofrohl.com/support
 1-800-777-9762

QUEBEC / MARITIMES / WESTERN CANADA
 QUÉBEC / MARITIMES / OUEST CANADIEN
 QUEBEC / MARITIMOS / CANADA OCCIDENTAL
houseofrohl.ca/support
 1-866-473-8442

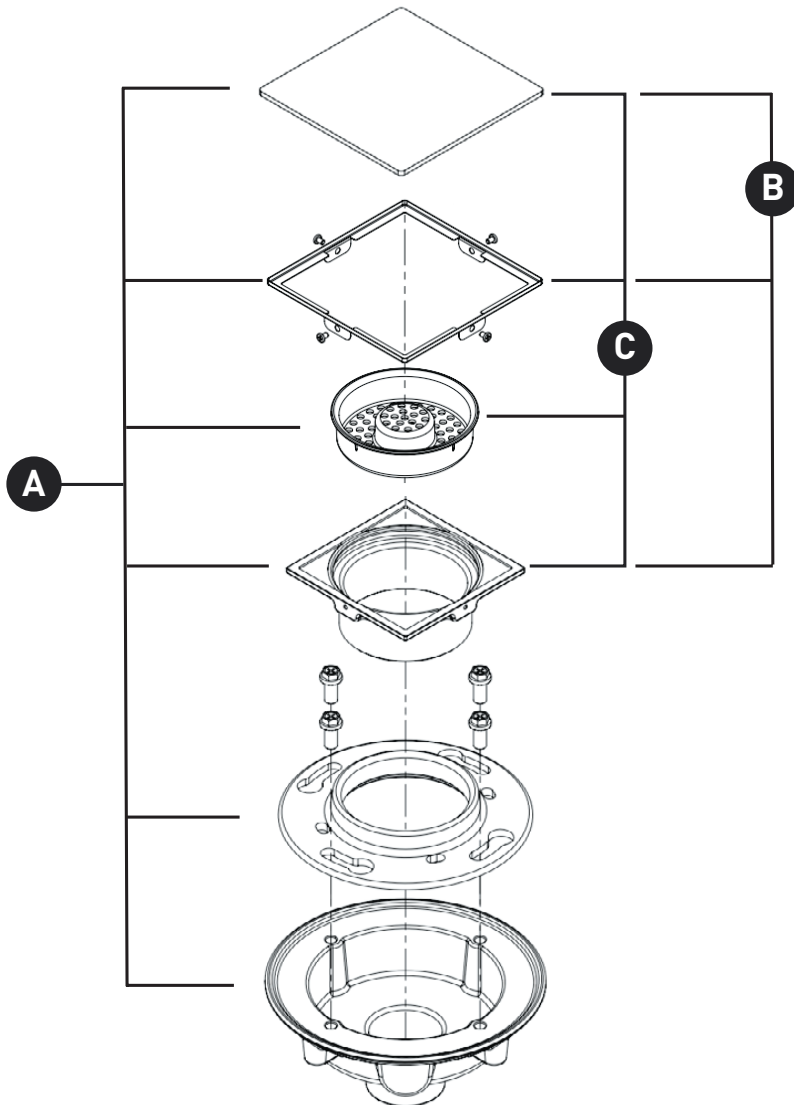
ONTARIO
houseofrohl.ca/support
 1-800-287-5354

VEUILLEZ EFFECTUER VOTRE COMMANDE
PAR NO DE RÉFÉRENCE

ILLUSTRATIONS DES PIÈCES

SDCI2

Kit de corps de drain sans moyeu en fonte 2"



ID	Référence du kit	Finition
A	SDABS2/3	N/A
	SDPVC2/3	N/A
B	DT122ABS2	N/A
C	DT123ABS3	N/A

For warranty or additional information, contact:

U.S.A.
houseofrohl.com/support
1-800-777-9762

QUEBEC / MARITIMES / WESTERN CANADA
QUÉBEC / MARITIMES / OUEST CANADIEN
QUEBEC / MARITIMOS / CANADA OCCIDENTAL
houseofrohl.ca/support
1-866-473-8442

ONTARIO
houseofrohl.ca/support
1-800-287-5354

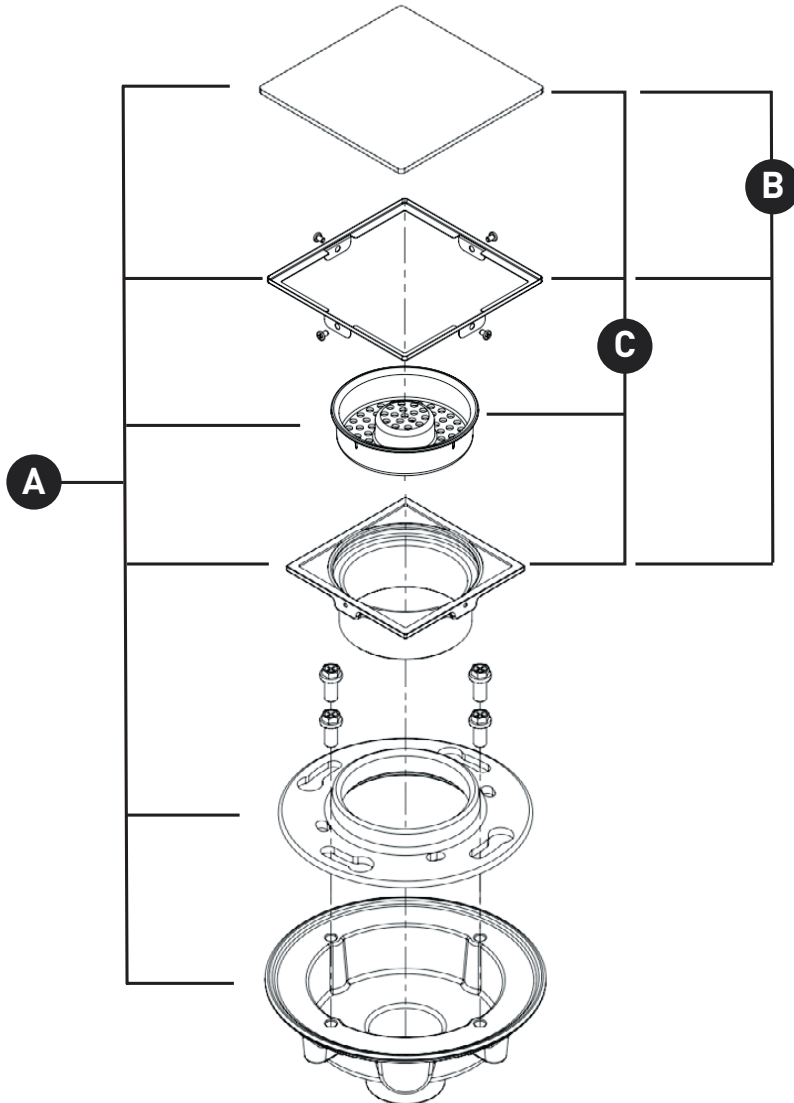
PEDIR POR NÚMERO DE REFERENCIA

PIEZAS ILUSTRADAS

SDCI2

Kit de cuerpo de drenaje sin cubo de hierro fundido de 2"

ID	Referencia del kit	Acabado
A	SDABS2/3	N/A
	SDPVC2/3	N/A
B	DT122ABS2	N/A
C	DT123ABS3	N/A



For warranty or additional information, contact:

U.S.A.
houseofrohl.com/support
1-800-777-9762

QUEBEC / MARITIMES / WESTERN CANADA
QUÉBEC / MARITIMES / OUEST CANADIEN
QUEBEC / MARITIMOS / CANADA OCCIDENTAL
houseofrohl.ca/support
1-866-473-8442

ONTARIO
houseofrohl.ca/support
1-800-287-5354