



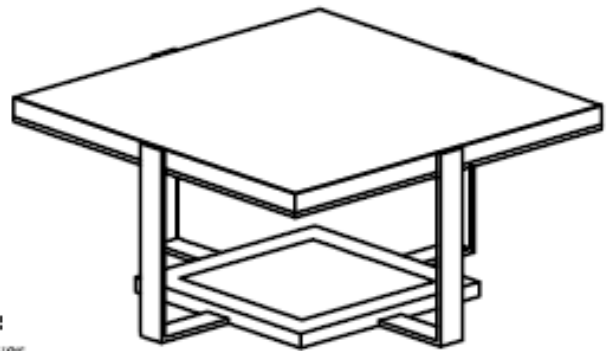
SQ Cocktail Table / 5533-80-112

Parts Included:

- 1 Top Assembly
- 4 Legs
- 16 Bolts 3/16 x 1/2"

Tools Required:

- Philips Screwdriver



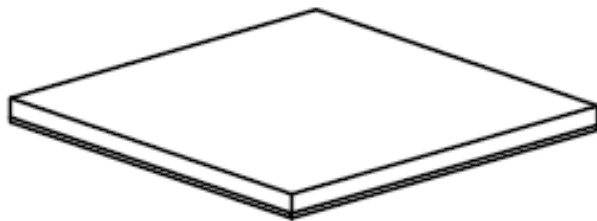
MADE IN MEXICO

It is strongly recommended that this table be assembled by **TWO PERSONS** to avoid marking or scratching the finish. It is easier to assemble this product upside down.

1. Locate and unpack all of the parts required and place them on a soft surface (i. e. carpet).
2. Place the Top assembly upside down on a soft surface.
3. Match numbers on base to numbers on top.
4. Attach Leg Assembly to legs using 3/16 x 1/2 Bolts as shown. Leave loose.
5. Attach Leg Assembly to Top Assembly using 3/16 x 1/2 Bolts as shown. Tighten loose.
6. Turn the completed table upright.

It is recommended that you periodically check and tighten all parts during the lifetime of the product. Clean with a damp cloth and buff dry with a soft cloth. Use of commercial polishes or waxes is not recommended. Use coasters under beverages and articles that may scratch. Do not place hot items directly on the surface.

Top Assembly



Leg Assembly



Legs (4)

