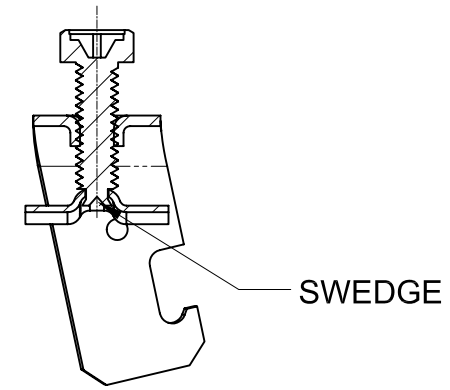
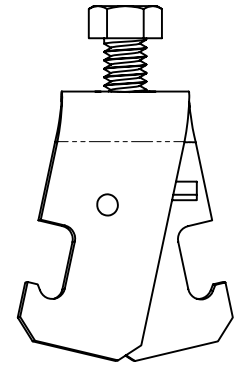
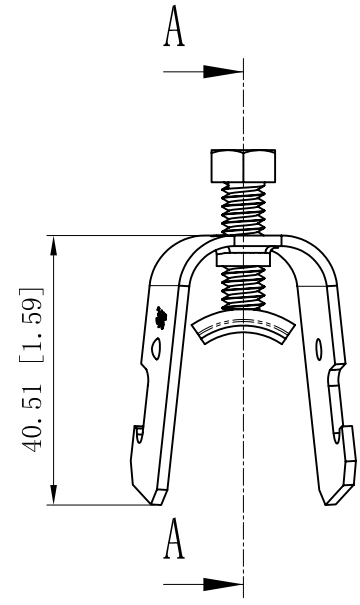
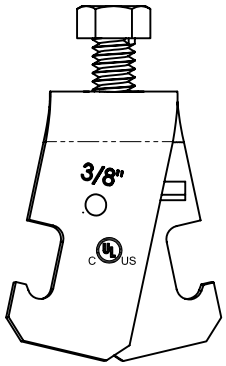
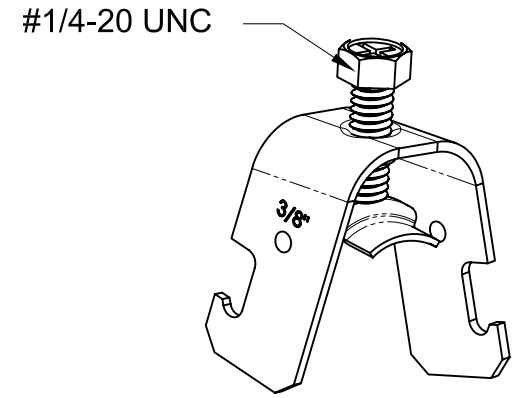
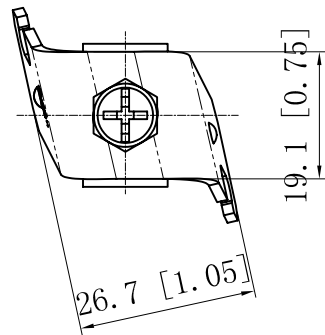


SIDES	BOTTOM
Material: Steel-(0.061"-0.063")-Galvanized or C.R.S and zinc plated	



CUTAWAY VIEW A-A

This data sheet is for reference only .GARVIN INDUSTRIES reserves the right to make changes to the design without prior notice.

DESCRIPTION
TRADE REFERENCE TERMS

STANDARD PACKING
100 PCS

<b>GARVIN INDUSTRIES</b>		
TITLE ONE-PIECE STRUT CLAMPS		
SIZE A4	DWG NO. OPSC-38	REV A
DATA SHEET		