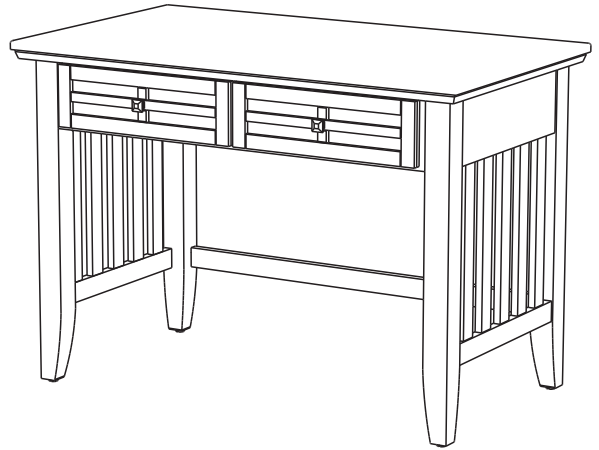


# Student Desk



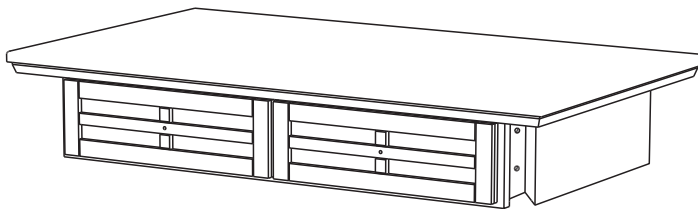
## IMPORTANT

Carefully remove all the parts from the carton and place them individually on a soft cloth to prevent scratches or other damage.

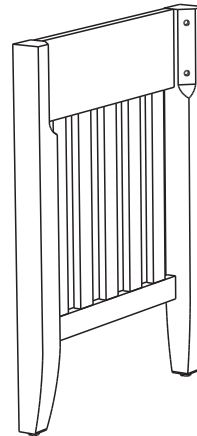
Carefully and strictly follow these assembly instructions to ensure a completed product as designed.

Do not use power tools above 8 volts to assemble.

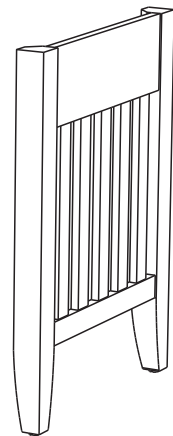
## Part List



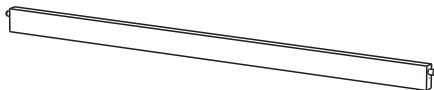
A.  
Top Unit  
1 pc.



B.  
Side Frame  
1 pc.

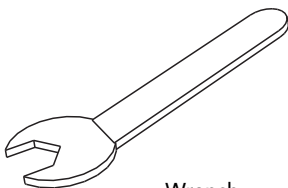


C.  
Side Frame  
1 pc.

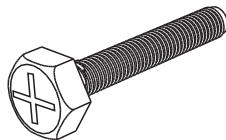


D.  
Stretcher  
1 pc.

## Hardware List



Wrench  
1 pc.



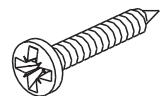
M8x50  
Bolt  
8 pcs. (+1 extra)



Spring Washer  
8 pcs. (+1 extra)



Flat Washer  
8 pcs. (+1 extra)



M3x32  
Wood Screw  
2 pcs. (+1 extra)

Tool(s) required for assembly: Phillips screwdriver, Level

## Assembly Instructions 2/3

### IMPORTANT

- Use a soft cloth between these parts and the floor.
- Do not use power tools above 8 volts to assemble.
- Do not tighten all the bolts until each part is properly assembled.
- The unit must be level to work properly. Use the included adjustable levelers to level.
- Keep Wrench as the bolts may need to be tightened in the future.

### STEP 1

Place Top Unit (A) upside down on a soft cloth.

Remove drawers.

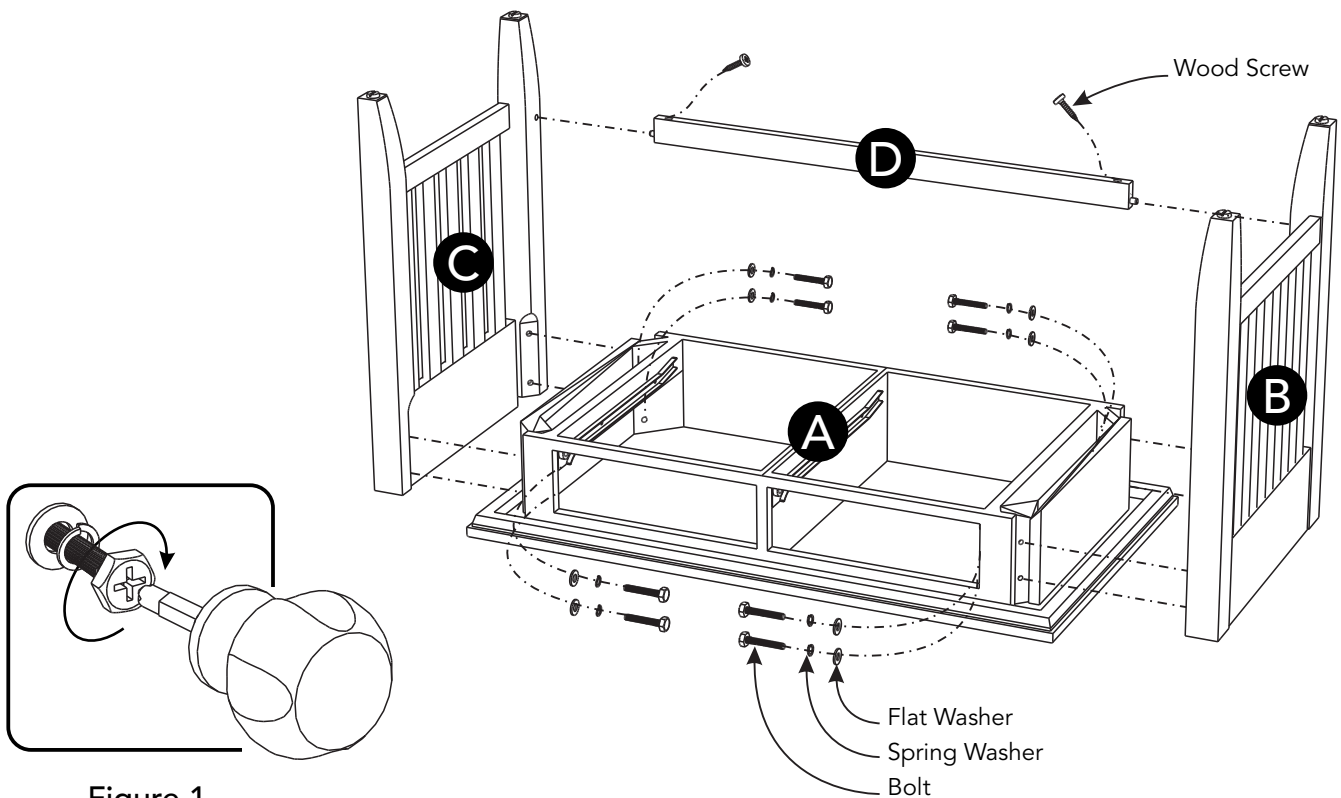
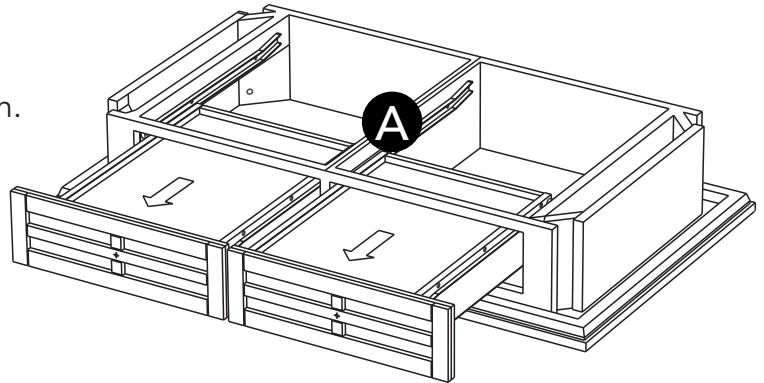


Figure 1

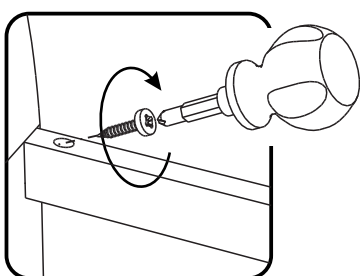


Figure 2

### STEP 2

Attach Side Frame (C) to Top Unit (A) with Flat Washers, Spring Washers and Bolts. (See Figure 1)

Attach Stretcher (D) and Side Frame (B) to unit with Flat Washers, Spring Washers, Bolts and Wood Screws. (See Figure 2)

## Assembly Instructions 3/3

### STEP 3

Remove knobs on inside of drawers and attach to outside of drawers with machine screws.

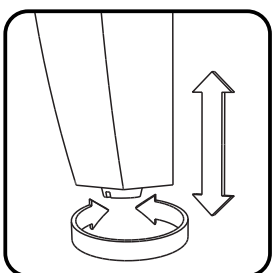
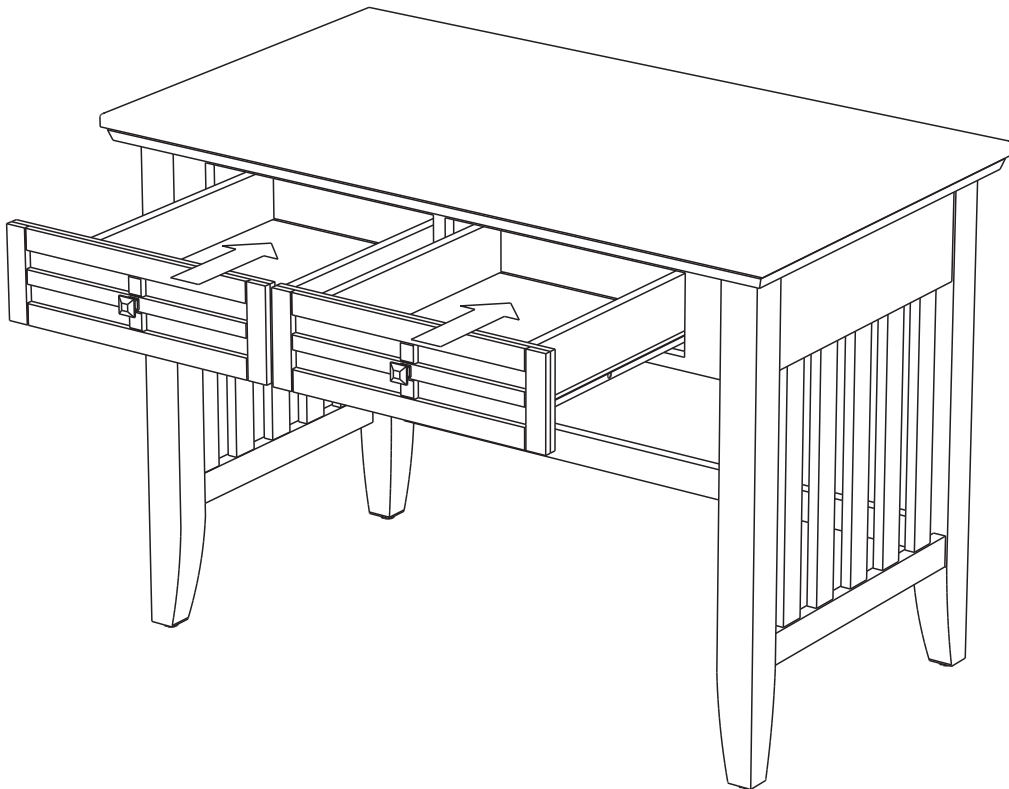
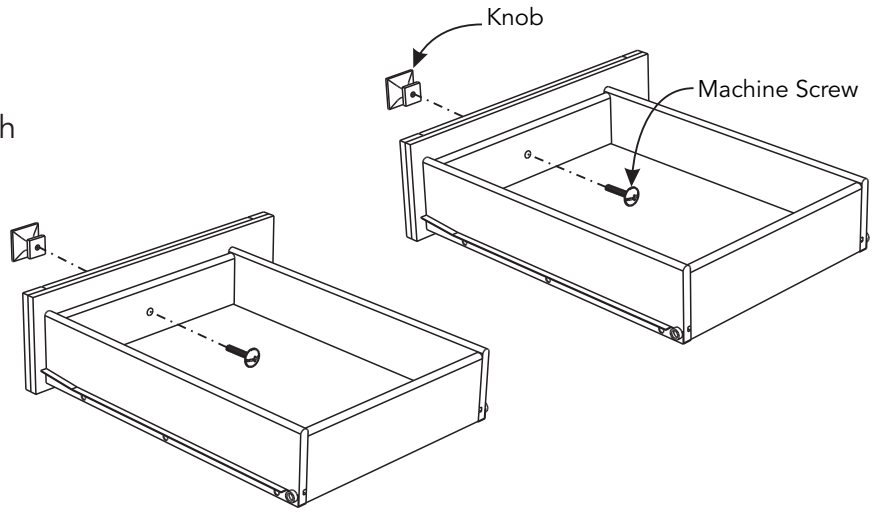


Figure 3

### STEP 4

Turn desk over to its upright position.

Slide drawers into position.

Level unit by adjusting the adjustable levelers on bottom of unit.  
(See Figure 3)

# CARE INSTRUCTIONS

## NEVER

allow liquids to remain on furniture.  
Absorption causes parts to warp  
and split and finishes to delaminate.

## NEVER

use glass cleaners on  
finished furniture. Ammonia  
chemically attacks the finish.



Do not use power tools  
above 8 volts to assemble.

**PREVENT  
CRACKING**



Do not place  
in direct sunlight.

**PREVENT  
FADING**



Do not write  
directly on surface.

**PREVENT  
MARKING**



Do not place hot  
objects on surface.

**PREVENT  
FINISH DAMAGE**



Do not use rubber  
based placemats.

**PREVENT  
DISCOLORING**

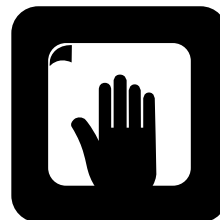


Do not use commercial  
waxes and polishes.

**PREVENT  
YELLOWING**

## CLEAN

with a soft cloth moistened  
in lukewarm soap and water.  
Buff with a dry clean cloth.



**homestyles** will provide replacements free of charge for missing or damaged parts within 30 days of purchase. Digital images of the defective parts may be required. If the product was not purchased from an authorized retailer, **homestyles** is under no obligation to provide replacement parts. Parts are not available for fully assembled items nor are parts available for sale. Replacements for missing or damaged parts may be requested via contact info below.

**homestyles** Customer Service: [www.homestylesfurniture.com](http://www.homestylesfurniture.com),  
[servicedesk@homestylesfurniture.com](mailto:servicedesk@homestylesfurniture.com), 888-680-7460