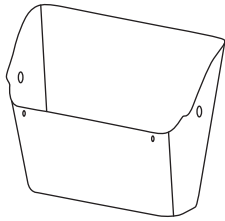
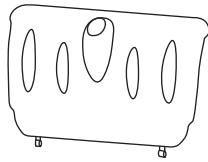


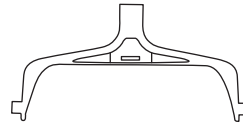
CONTENTS



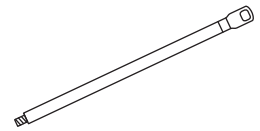
A) Dust Pan Bucket (x1)



B) Dust Pan Cover (x1)



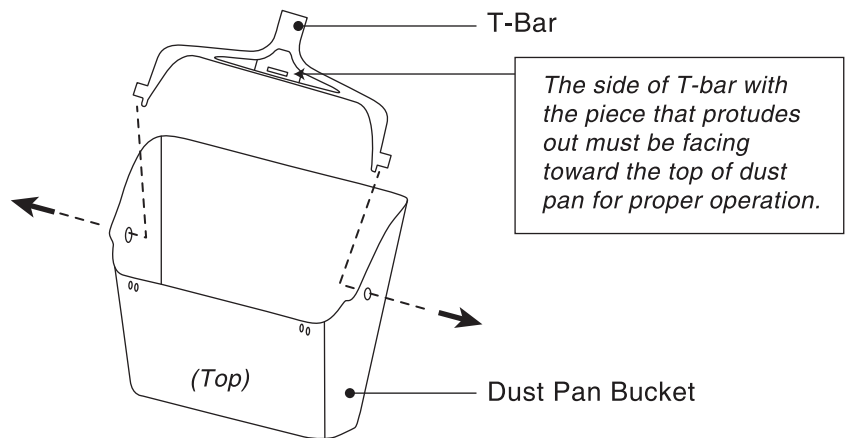
C) T-Bar (x1)



D) Handle (x1)

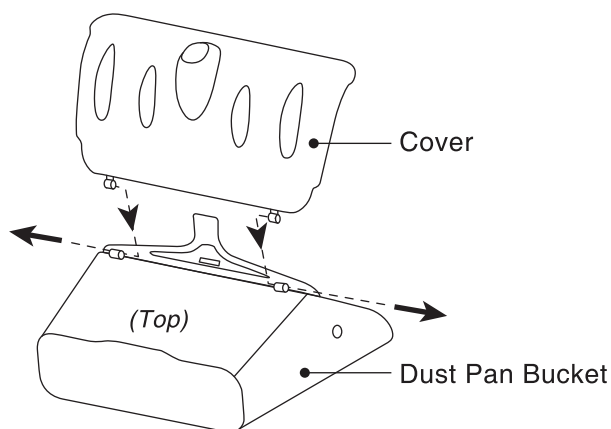
1 Insert T-Bar (C) into the Dust Pan Bucket (A).

Position sides of T-bar at holes on inside of dust pan and slide in to lock on.



2 Attach the cover - slide clips on back of cover (B) into clips on the dust pan (A).

(may need to CAREFULLY bend cover slightly)



3 Once cover is attached, slide the screw-end of handle (D) through hole in top of cover (B), then thread handle into the T-Bar (C) until snug.

