






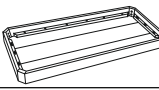


# Assembly Instructions

## Talcott Console Table

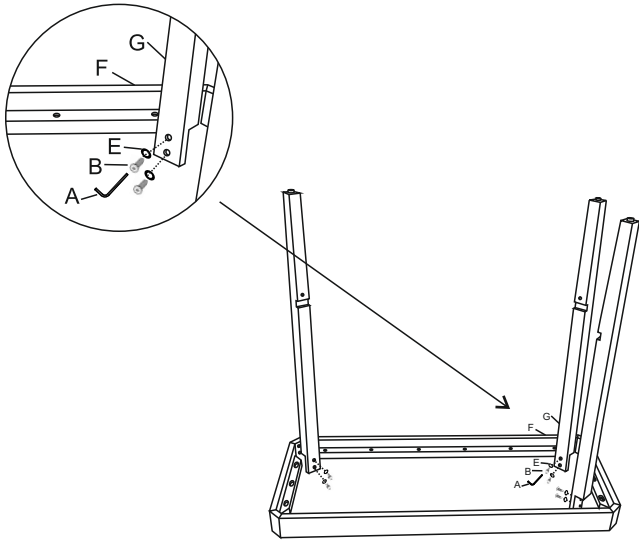
### HARDWARE LIST:-

NO.	DESCRIPTION	IMAGE	QTY
A	ALLEN KEY (4mm)		1
B	ALLEN BOLT (6X35mm)		8
C	ALLEN BOLT (6X12mm)		8
D	L BRACKET		4
E	WASHER		16

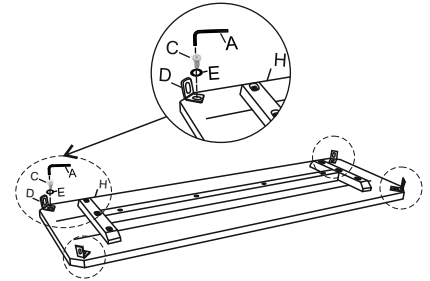
### PART LIST:-

NO.	DESCRIPTION	IMAGE	QTY
F	TABLE TOP		1
G	LEGS		4
H	TABLE SHELF		1

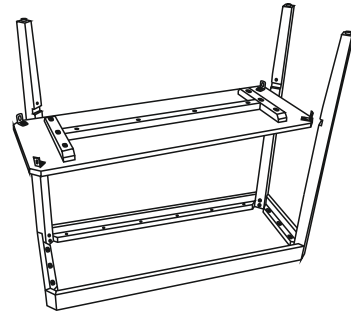
Step :- 1



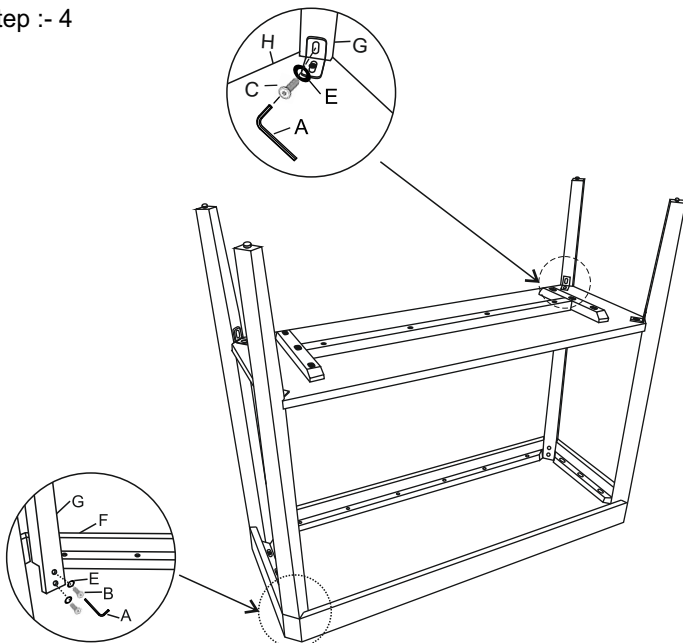
Step :- 2



Step :- 3



Step :- 4



Step :- 5 Ready for use.

