

## SPECIFICATIONS

### DESCRIPTION

- Lift rod drain assembly included with faucet

### FLOW

- 1.2 GPM/4.5 LPM at 60 PSI

### STANDARDS

- ASME A12.18.1/CSA B125.1
- NSF 61/9 & 372 Q ≤ 1
- CEC Compliant

### WARRANTY

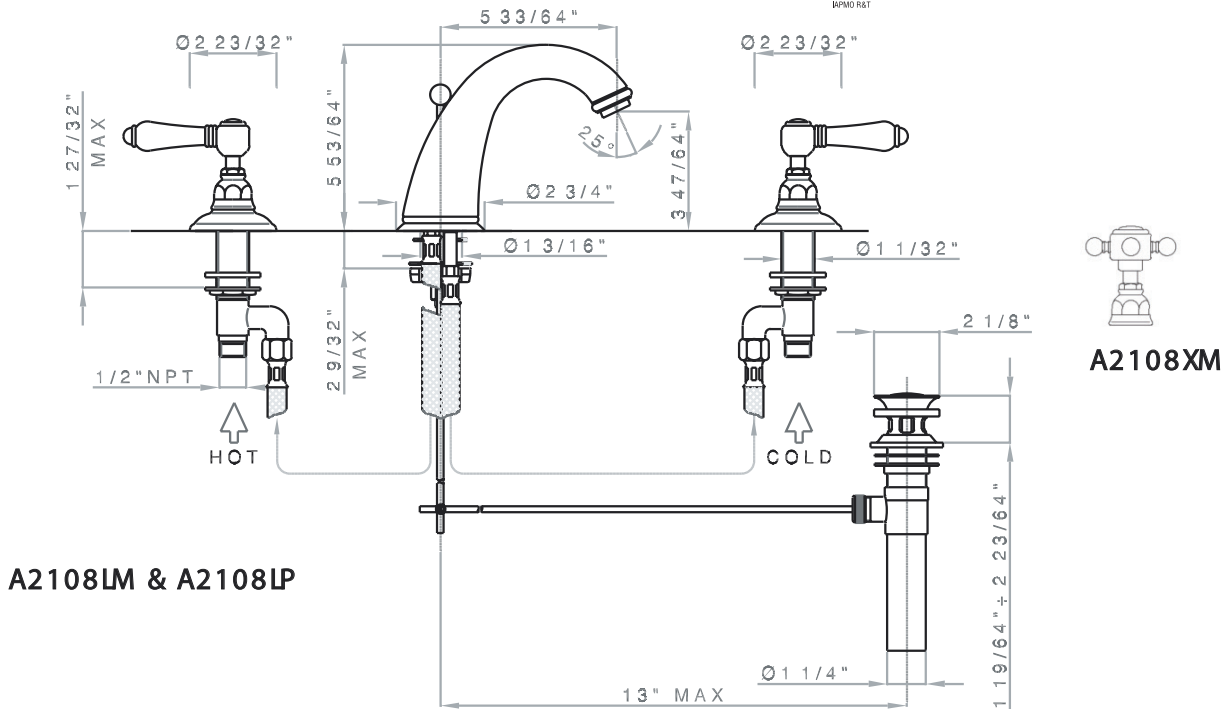
- Most products or parts carry "Limited Warranties" against manufacturing defects. For US customers please visit [houseofrohl.com/support](http://houseofrohl.com/support) and for Canadian customers please visit [houseofrohl.ca/support](http://houseofrohl.ca/support) for complete product and finish warranty.



### Viaggio®

Widespread Lavatory Faucet

**MODEL:** A2108LM - Metal Lever  
 A2108LP - Porcelain Lever  
 A2108XM - Cross Handle



For warranty or additional information, contact:

U.S.A.  
[houseofrohl.com/support](http://houseofrohl.com/support)  
 1-800-777-9762

QUEBEC / MARITIMES / WESTERN CANADA  
 QUÉBEC / MARITIMES / OUEST CANADIEN  
 QUEBEC / MARITIMOS / CANADA OCCIDENTAL  
[houseofrohl.ca/support](http://houseofrohl.ca/support)  
 1-866-473-8442

ONTARIO  
[houseofrohl.ca/support](http://houseofrohl.ca/support)  
 1-800-287-5354

## SPÉCIFICATIONS

### DESCRIPTION

- Ensemble de vidange à tige de levage inclus avec le robinet

### DEBITS DISPONIBLES

- 1,2 GPM/4,5 LPM à 60 PSI

### CERTIFICATION

- ASME A12.18.1/CSA B125.1
- NSF 61/9 & 372 Q ≤ 1
- CEC Compliant

### GARANTIE

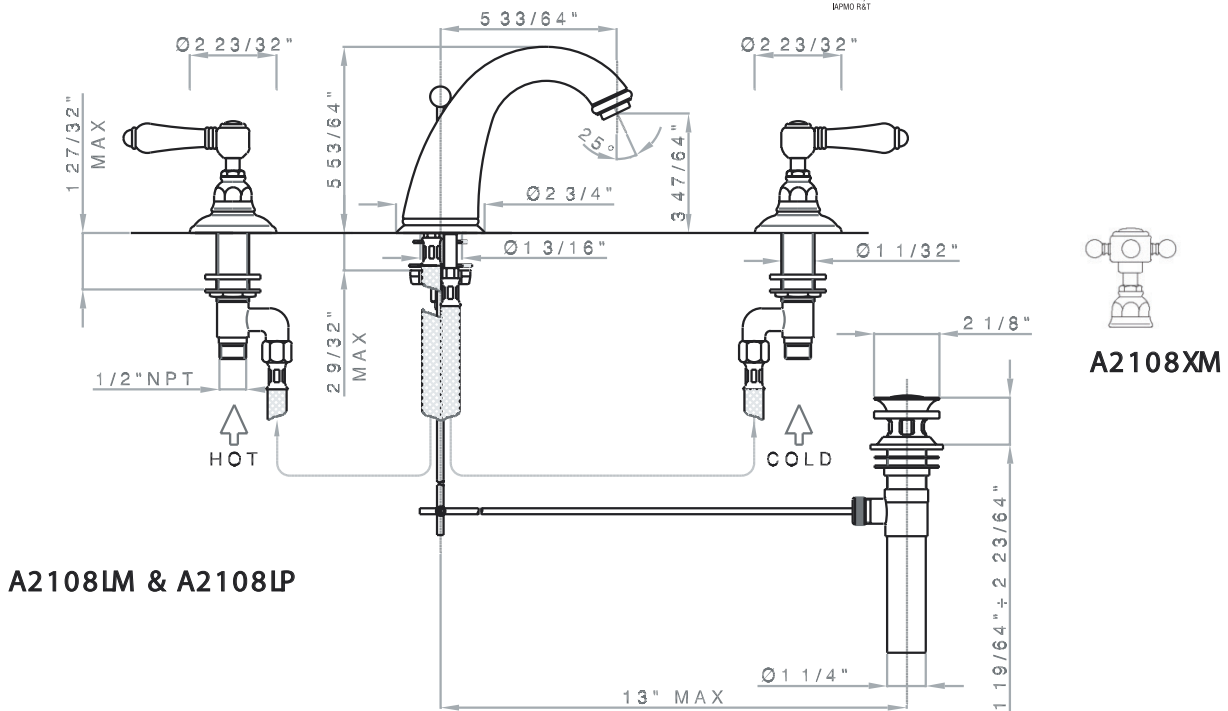
- La plupart des produits ou pièces comportent des « garanties limitées » contre les défauts de fabrication. Pour les clients américains, veuillez visiter [houseofrohl.com/support](http://houseofrohl.com/support) et pour les clients canadiens, veuillez visiter [houseofrohl.ca/support](http://houseofrohl.ca/support) pour la garantie complète du produit et du fini.



### Viaggio®

Robinet de lavabo largement répandu

**MODÈLES:** A2108LM - Metal Lever  
A2108LP - Porcelain Lever  
A2108XM - Cross Handle



For warranty or additional information, contact:

U.S.A.  
[houseofrohl.com/support](http://houseofrohl.com/support)  
1-800-777-9762

QUEBEC / MARITIMES / WESTERN CANADA  
QUÉBEC / MARITIMES / OUEST CANADIEN  
QUEBEC / MARITIMOS / CANADA OCCIDENTAL  
[houseofrohl.ca/support](http://houseofrohl.ca/support)  
1-866-473-8442

ONTARIO  
[houseofrohl.ca/support](http://houseofrohl.ca/support)  
1-800-287-5354

## ESPECIFICACIONES

### DESCRIPCIÓN

- Conjunto de drenaje de varilla de elevación incluido con el grifo.

### FLUIR

- 1,2 GPM/4,5 LPM a 60 PSI

### NORMAS

- ASME A112.18.1/CSA B125.1
- NSF 61/9 & 372 Q ≤ 1
- CEC Compliant

### GARANTÍA

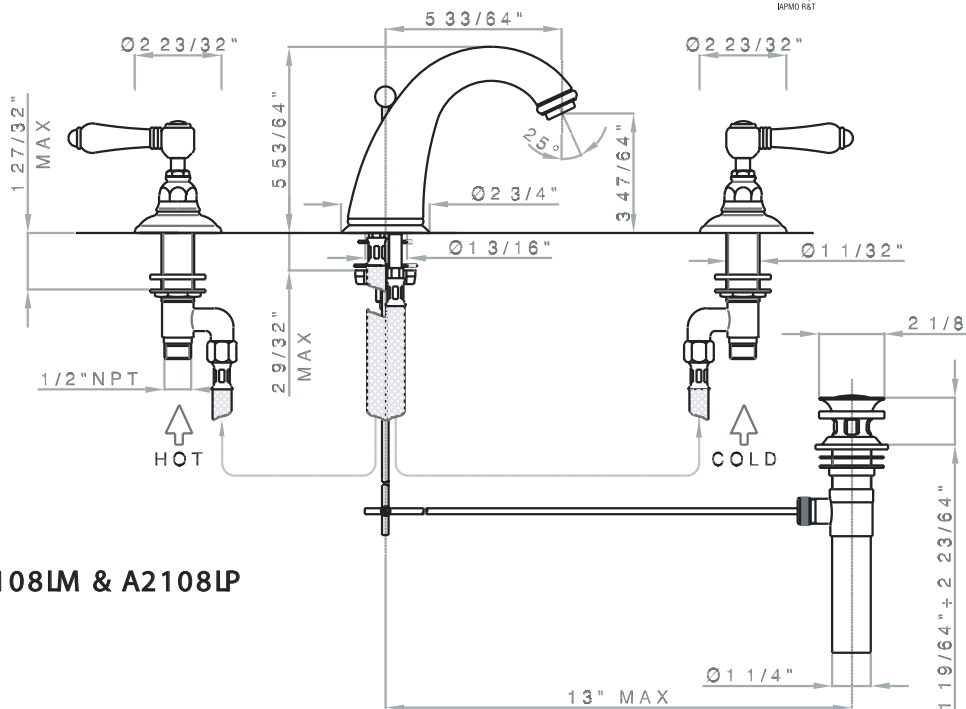
- La mayoría de los productos o piezas cuentan con "Garantías limitadas" contra defectos de fabricación. Para los clientes de EE. UU., visite [houseofrohl.com/support](http://houseofrohl.com/support) y para los clientes canadienses, visite [houseofrohl.ca/support](http://houseofrohl.ca/support) para conocer la garantía completa del producto y el acabado.



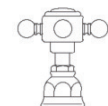
### Viaggio®

Grifo de lavabo generalizado

**MODELOS:** A2108LM - Metal Lever  
A2108LP - Porcelain Lever  
A2108XM - Cross Handle



A2108LM & A2108LP



A2108XM

For warranty or additional information, contact:

U.S.A.  
[houseofrohl.com/support](http://houseofrohl.com/support)  
1-800-777-9762

QUEBEC / MARITIMES / WESTERN CANADA  
QUÉBEC / MARITIMES / OUEST CANADIEN  
QUEBEC / MARITIMOS / CANADA OCCIDENTAL  
[houseofrohl.ca/support](http://houseofrohl.ca/support)  
1-866-473-8442

ONTARIO  
[houseofrohl.ca/support](http://houseofrohl.ca/support)  
1-800-287-5354