

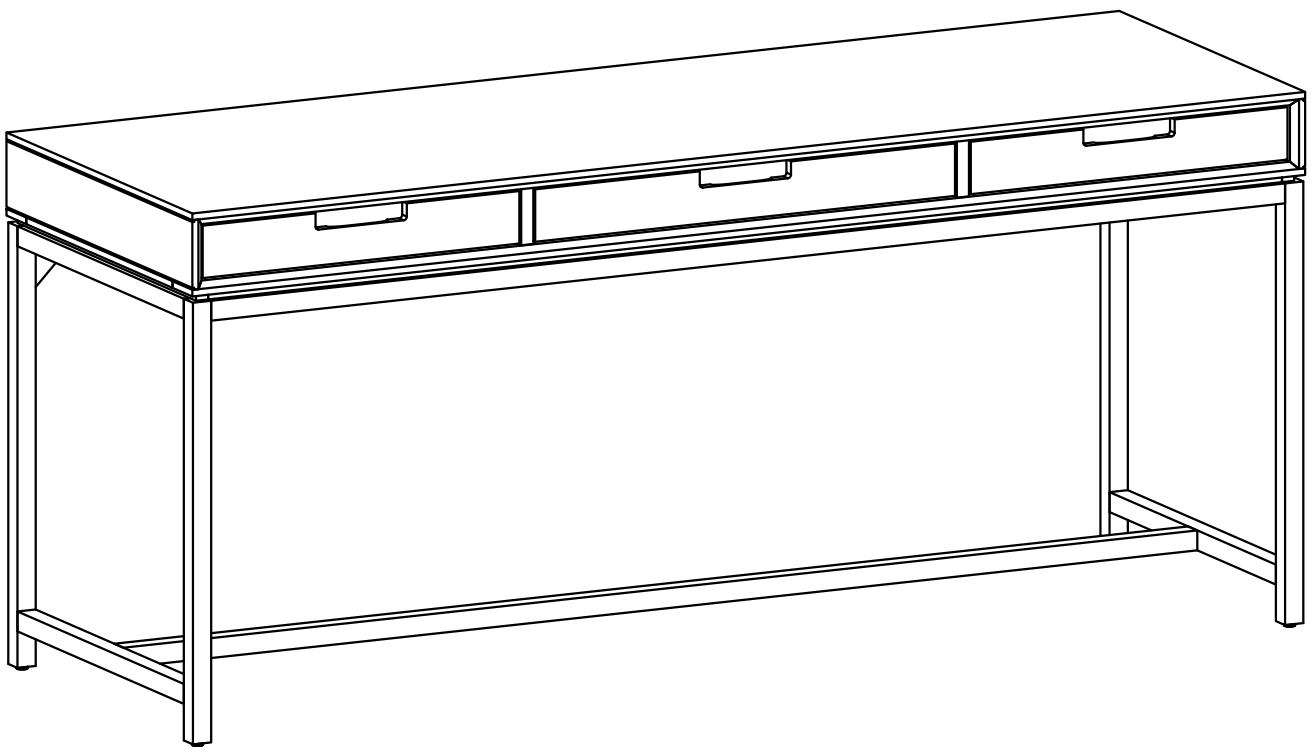
# SIMPLIHOME

## Banting / Devlin / Argyle

---

Mid Century Wide Desk

Model # AXCBAN-09W



# SIMPLIHOME

## Great quality is a right.

Thank you for shopping with Simpli Home,  
America's top brand for high-value furniture.



## It's time to register your product warranty.

It's quick and easy. And you'll be happy you did.



- ✓ Activate your **1-year** warranty
- ✓ Automatic entry to win a **\$500** gift certificate
- ✓ Earn instant rewards and **save**



[simpli-home.com/product-registration](https://simpli-home.com/product-registration)

# SIMPLIHOME

## Review your product and collect rewards!

Thank you for your purchase! We hope you enjoy it. We'd love your feedback. Please share a review and get instant rewards!



[simpli-home.com/product-review](https://simpli-home.com/product-review)



## Share photos and get your cash back!

Send us images or share them on social and qualify for instant rewards. You may even receive store credit on your entire purchase!



[simpli-home.com/share-images](https://simpli-home.com/share-images)

# SIMPLIHOME®

## For Fastest Customer Service:



1. Open your phone's camera.
2. Point your phone's camera at the QR code to scan.
3. Click on the pop up.
4. You'll be taken to our customer service page.
5. Fill the form with your order information and issue.
6. Submit form.
7. A customer service associate will contact you.

### Other ways to contact us...



#### Email Us

[customerservice@simpli-home.com](mailto:customerservice@simpli-home.com)



#### Visit Us

Visit our site directly at  
[www.simpli-home.com](http://www.simpli-home.com)



#### Call Us

1-866-518-0120  
Monday to Friday  
9am to 5pm EST

**\*If you've purchased from a retailer and you wish to return the product, please contact the retailer directly.**

**IMPORTANT** : Please read this manual carefully before beginning assembly of this product. Keep this manual for future reference.

## **Safety Information**

Identify all the parts and hardware. Do not discard of the packaging until you have checked that you have all of the parts and hardware required. Hardware package may have spare parts.

**WARNING:** This item contains small parts which can be swallowed by children and pets. Keep children and pets away during Assembly. To avoid danger of suffocation, always keep plastic bags away from children and pets. We recommend that you assemble this unit on a carpeted floor to avoid scratches. If using power tools, set the tool to low torque to avoid damage.

**May require 2 people for ease of Assembly.**

## Care & Maintenance

**This furniture is designed for indoor use.**

Damage to furniture can come from temperature changes in relative humidity (RH) in our homes. Humid air oxidizes metal which results in rusting, corrosion, tarnishing and roughness. Wood absorbs water as relative humidity rises and falls, and in doing so it swells and shrinks.

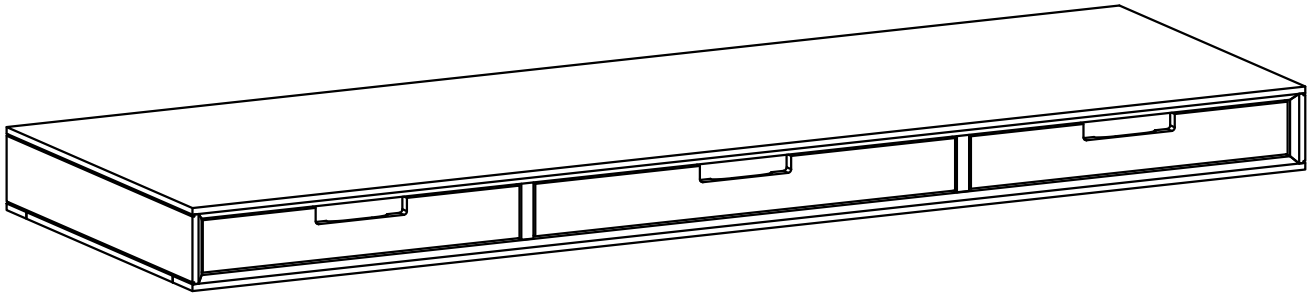
To protect against the humidity effect, the metal is powder coated. The powder coat layer protects the metal from oxidizing, corrosion, tarnishing and scratching and keeps it looking good for years to come. The wood is sealed and lacquered to protect against humidity.

**To help protect your furniture, follow these steps:**

- Use a humidifier, preferably one with an automatic control system that can sense the humidity level and adjust itself accordingly
- Dust with soft dry cloth
- Wipe up spills promptly
- Clean with a dry cloth
- Do not use abrasive cleaners, chemical solvents, strong detergents, cleaners with bleach, and furniture polish
- Use soft felt base coasters, placemats to help prevent scratches
- Keep furniture out of direct sunlight, which can cause cracking or roughness on the protective layer
- If it can be avoided, do not put furniture near heating vents
- Keep the furniture 3 to 4 inches away from the wall, giving heat and air space to circulate.

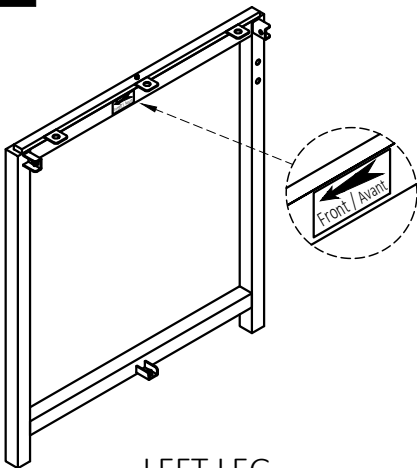
**Part Description**

**A**



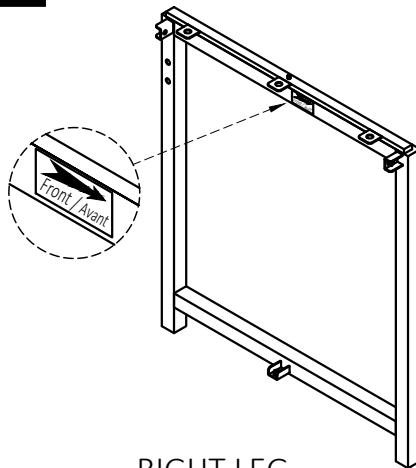
TOP  
QTY 1

**BL**



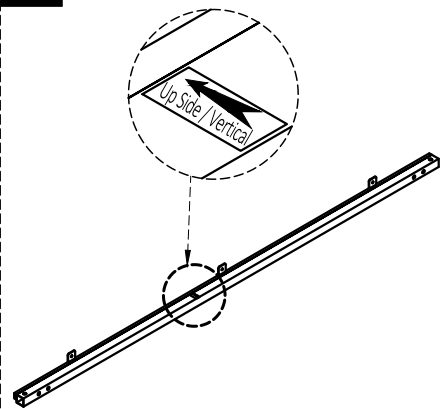
LEFT LEG  
QTY 1

**BR**



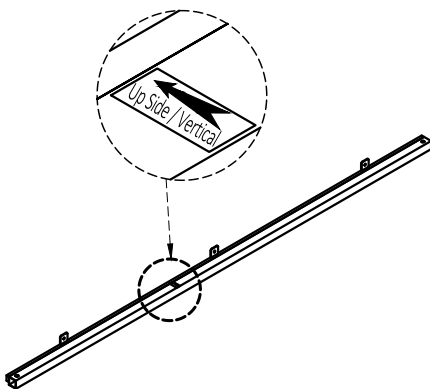
RIGHT LEG  
QTY 1

**C**



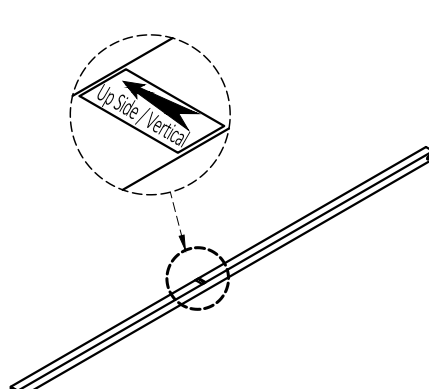
LEG BACK CONNECTOR  
QTY 1

**D**



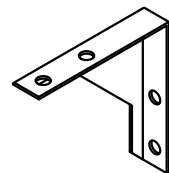
LEG FRONT CONNECTOR  
QTY 1

**E**



LEG LOWER CONNECTOR  
QTY 1

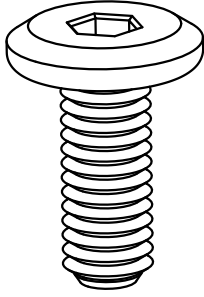
**F**



LEG SUPPORTER  
QTY 2

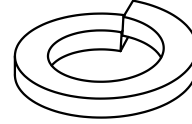
**Hardware Description**

1



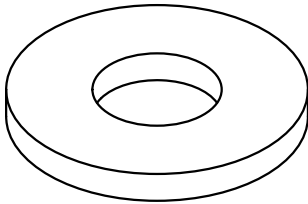
ALLEN KEY BOLT  
M6 x 15 mm  
QTY 20

2



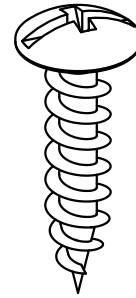
LOCK WASHER  
Ø10 / Ø6.5 x 1.5 mm  
QTY 20

3



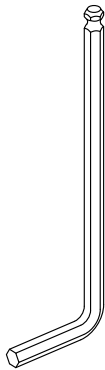
WASHER  
Ø16 / Ø6.5 x 1.5 mm  
QTY 26

4

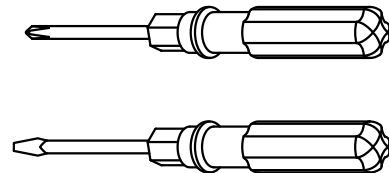


PHILLIPS SCREW ROUND HEAD  
M4 X 15mm  
QTY 6

5



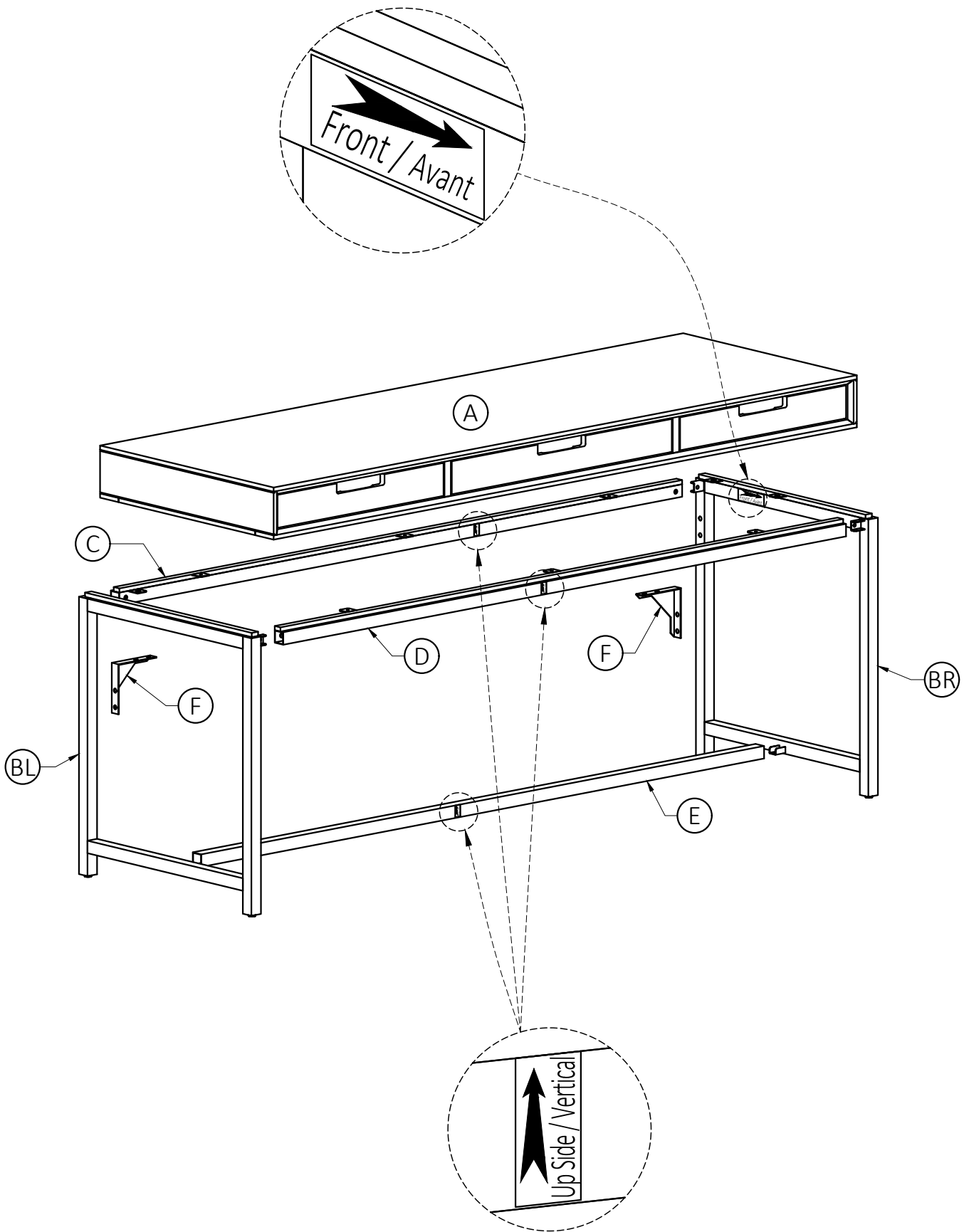
ALLEN KEY  
QTY 1



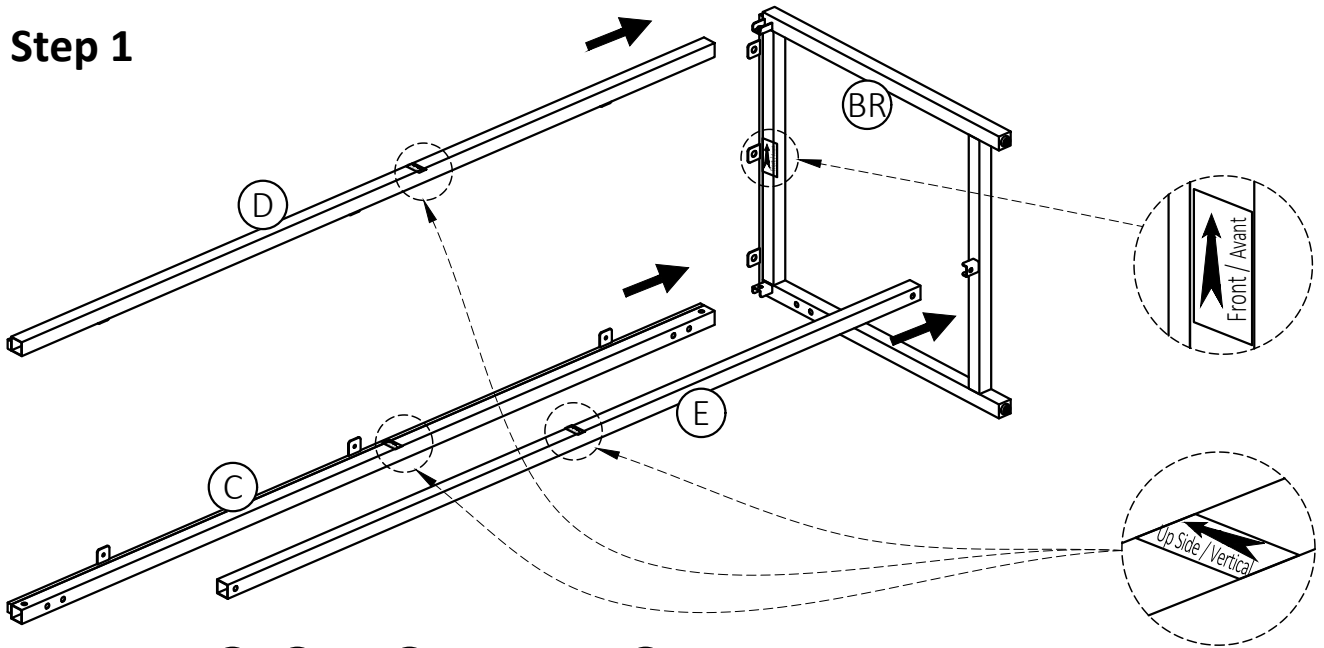
Required -  
Flathead screwdriver  
Phillips screwdriver

**Not Included**

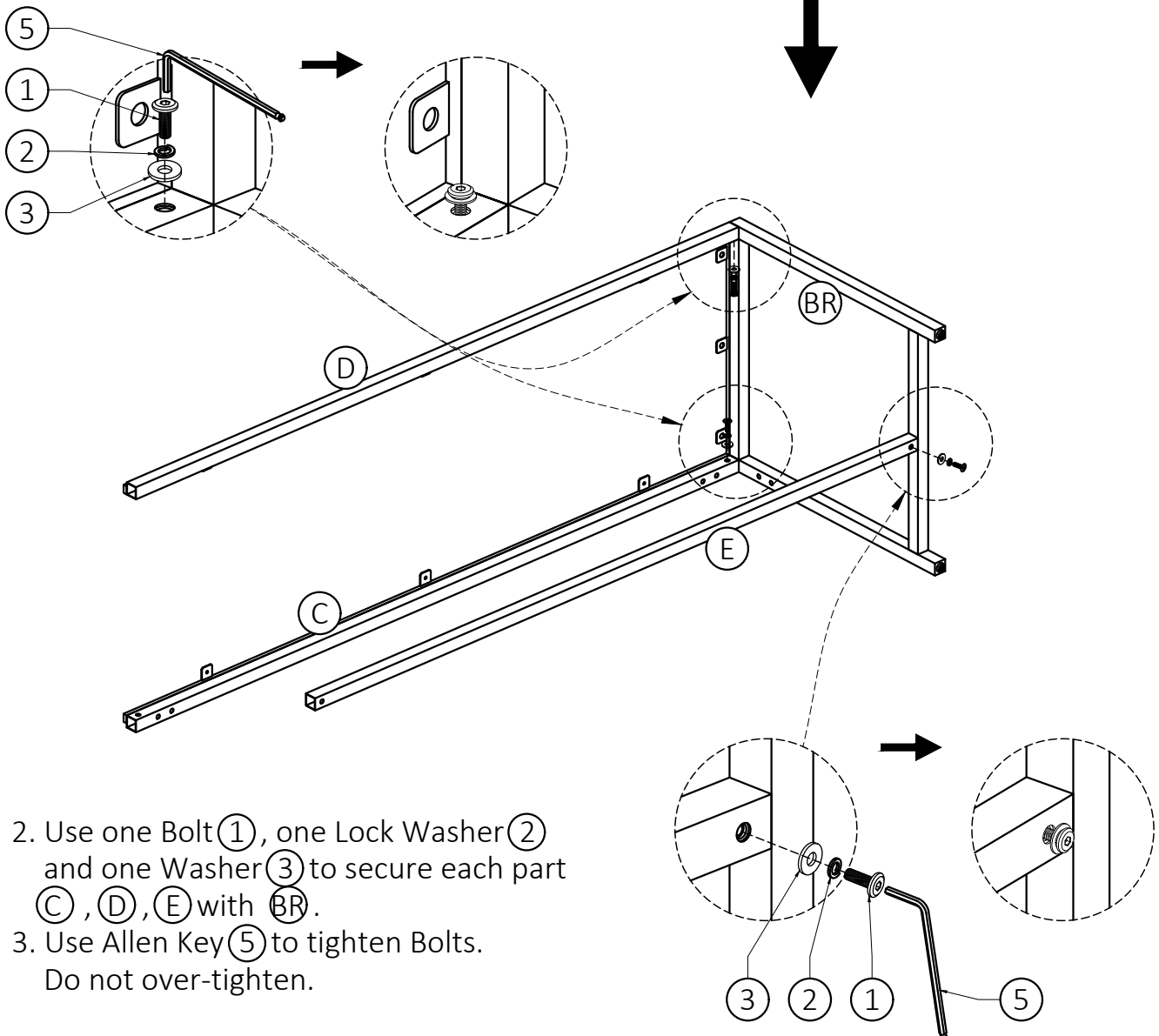




## Step 1

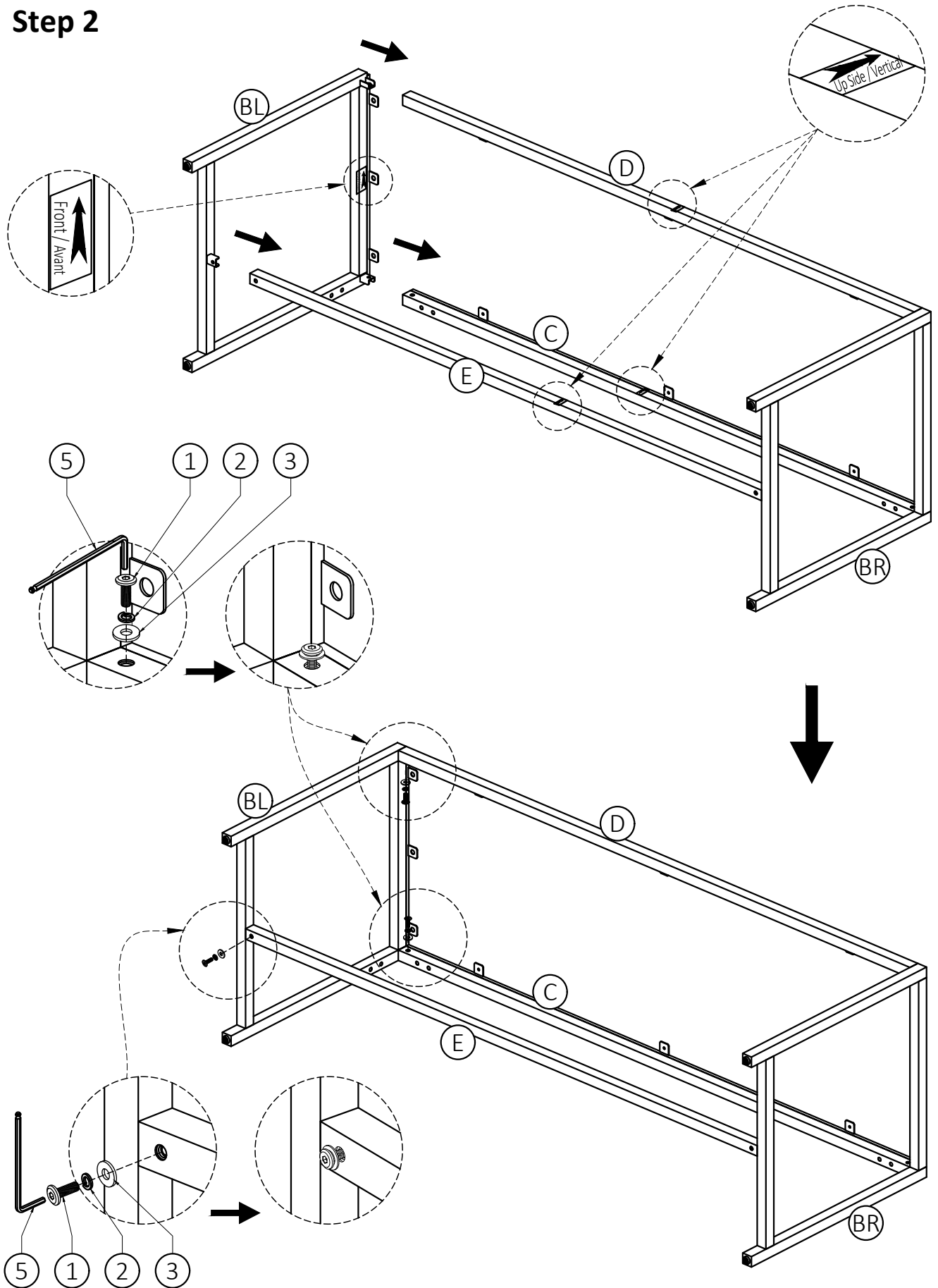


1. Align Parts (C), (D) and (E) to Right Leg (BR).



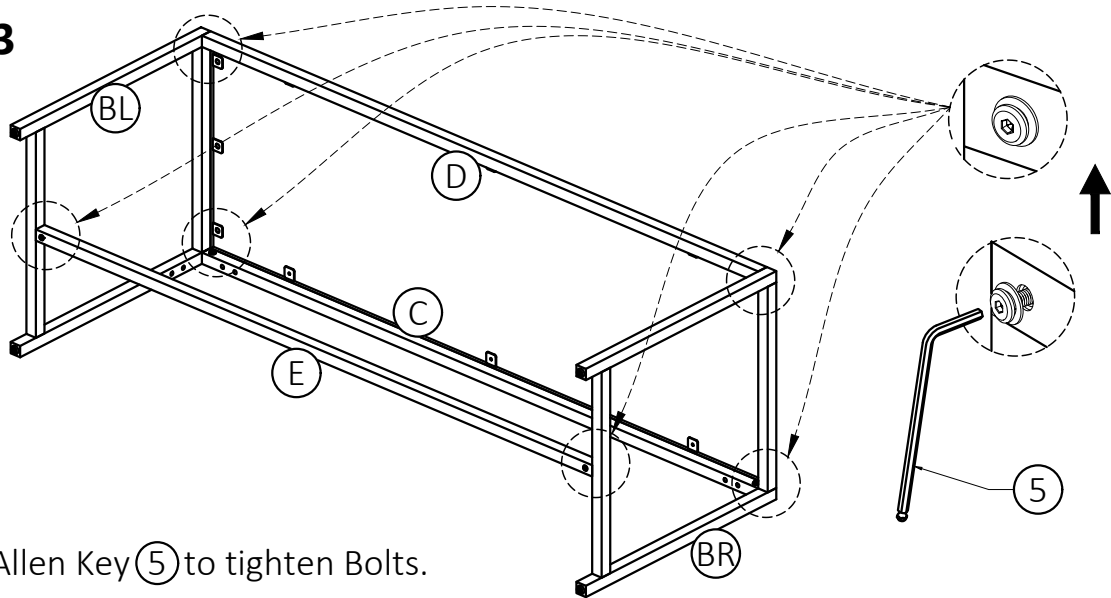
2. Use one Bolt (1), one Lock Washer (2) and one Washer (3) to secure each part (C), (D), (E) with (BR).  
 3. Use Allen Key (5) to tighten Bolts. Do not over-tighten.

Step 2



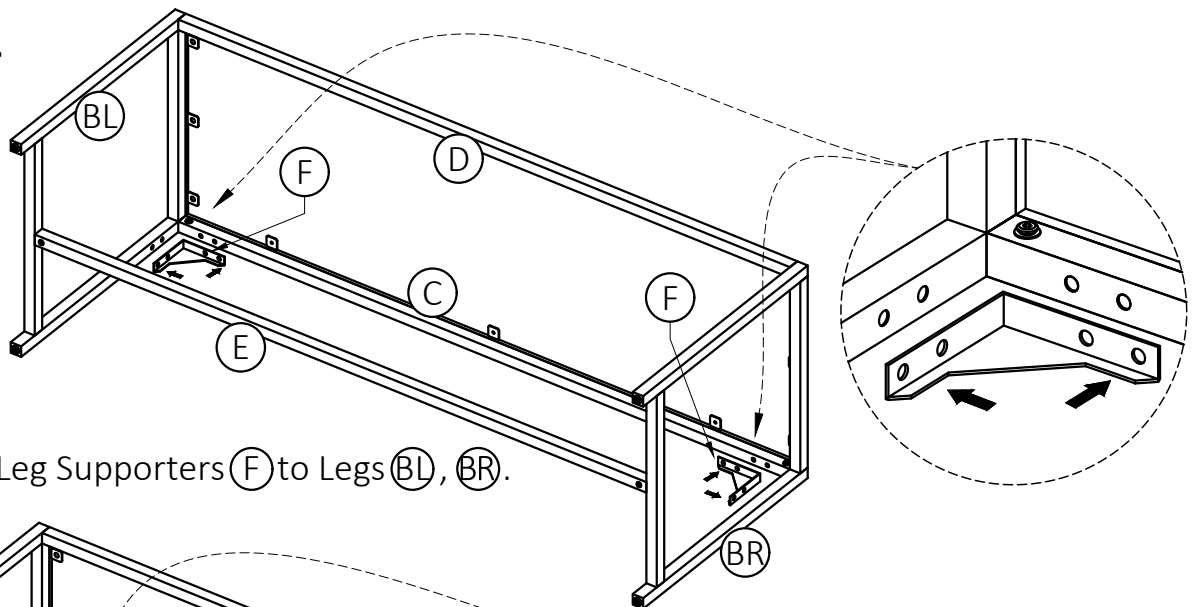
1. Repeat Step 1 for Left Leg (BL).

**Step 3**

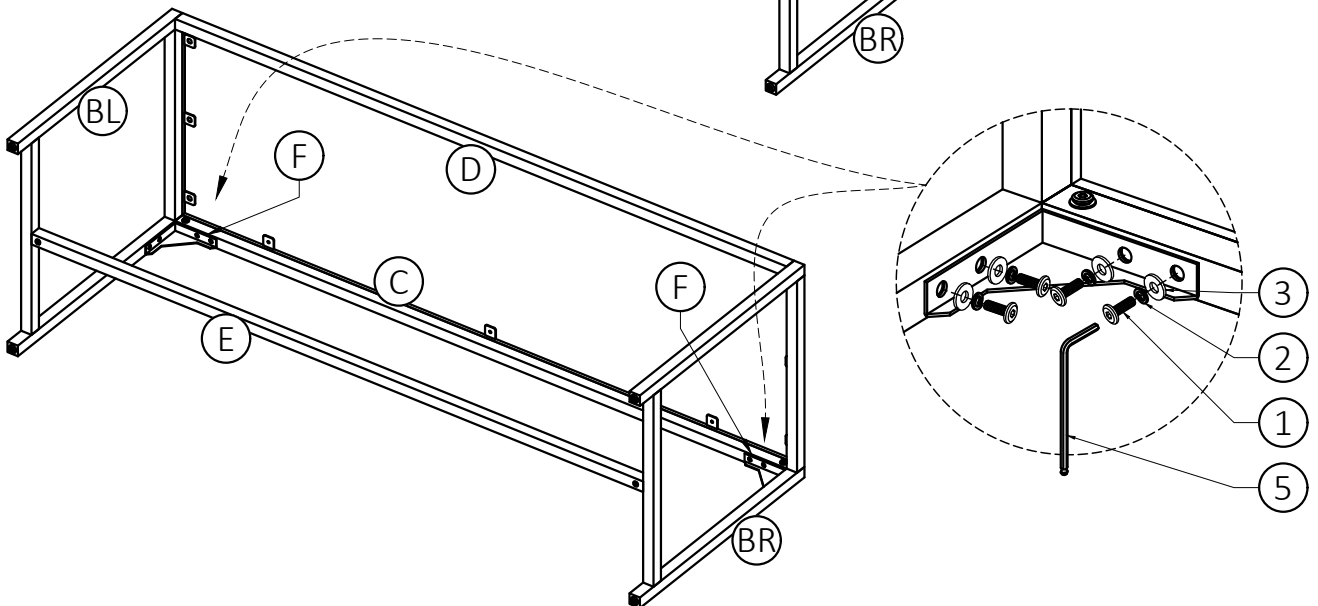


1. Use Allen Key (5) to tighten Bolts.

**Step 4**



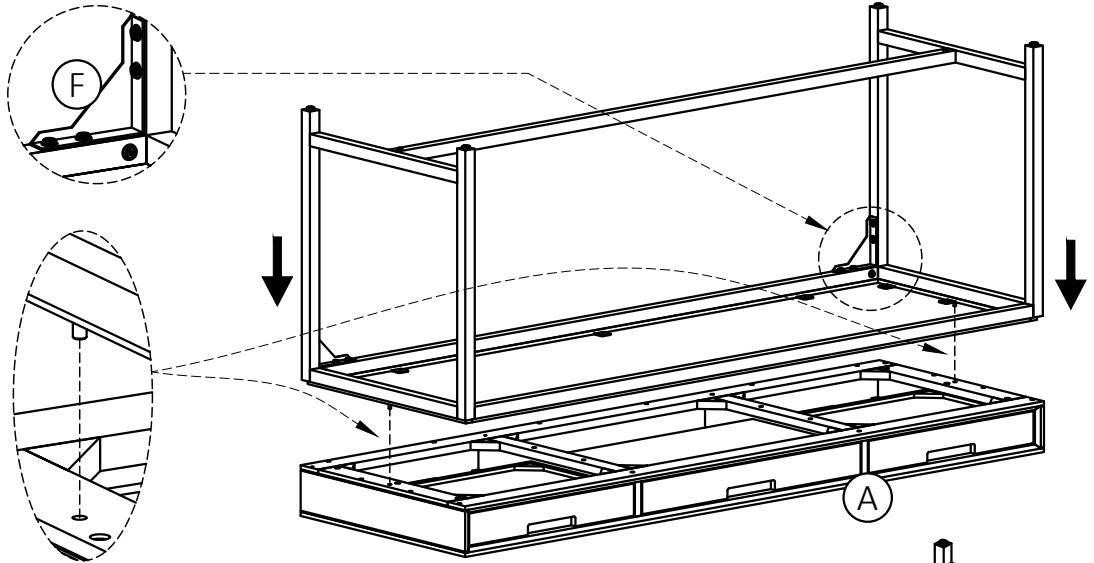
1. Align Leg Supporters (F) to Legs (BL), (BR).



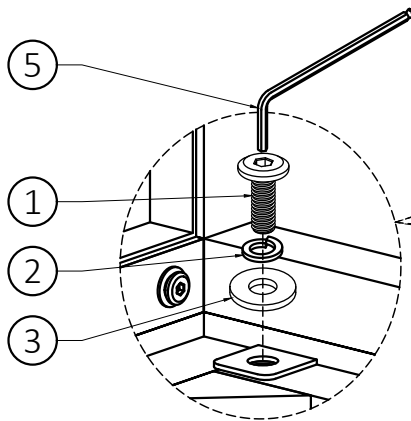
2. Use four Bolts (1), four Lock Washers (2) and four Washers (3) to secure each part (F) with (BL), (BR).

3. Use Allen Key (5) to tighten Bolts.

## Step 5

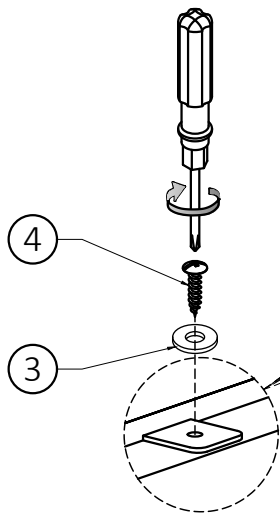
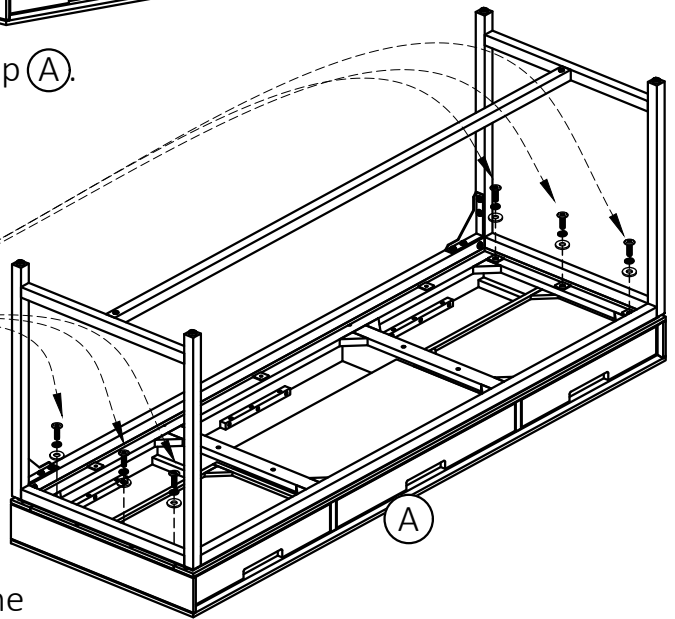


1. Attach the assembled metal frame to Top (A).



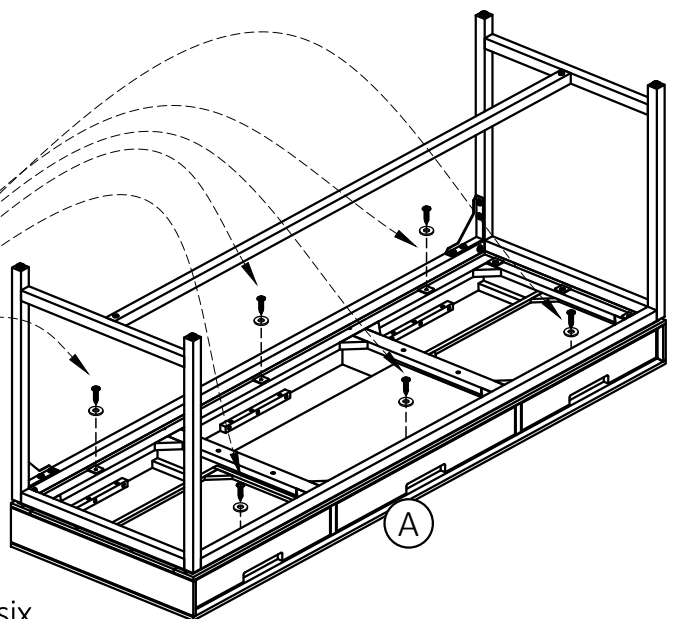
2. Use six Bolts (1), six Lock Washers (2) and six Washers (3) to secure metal frame and Top (A).

3. Use Allen Key (5) to tighten Bolts.

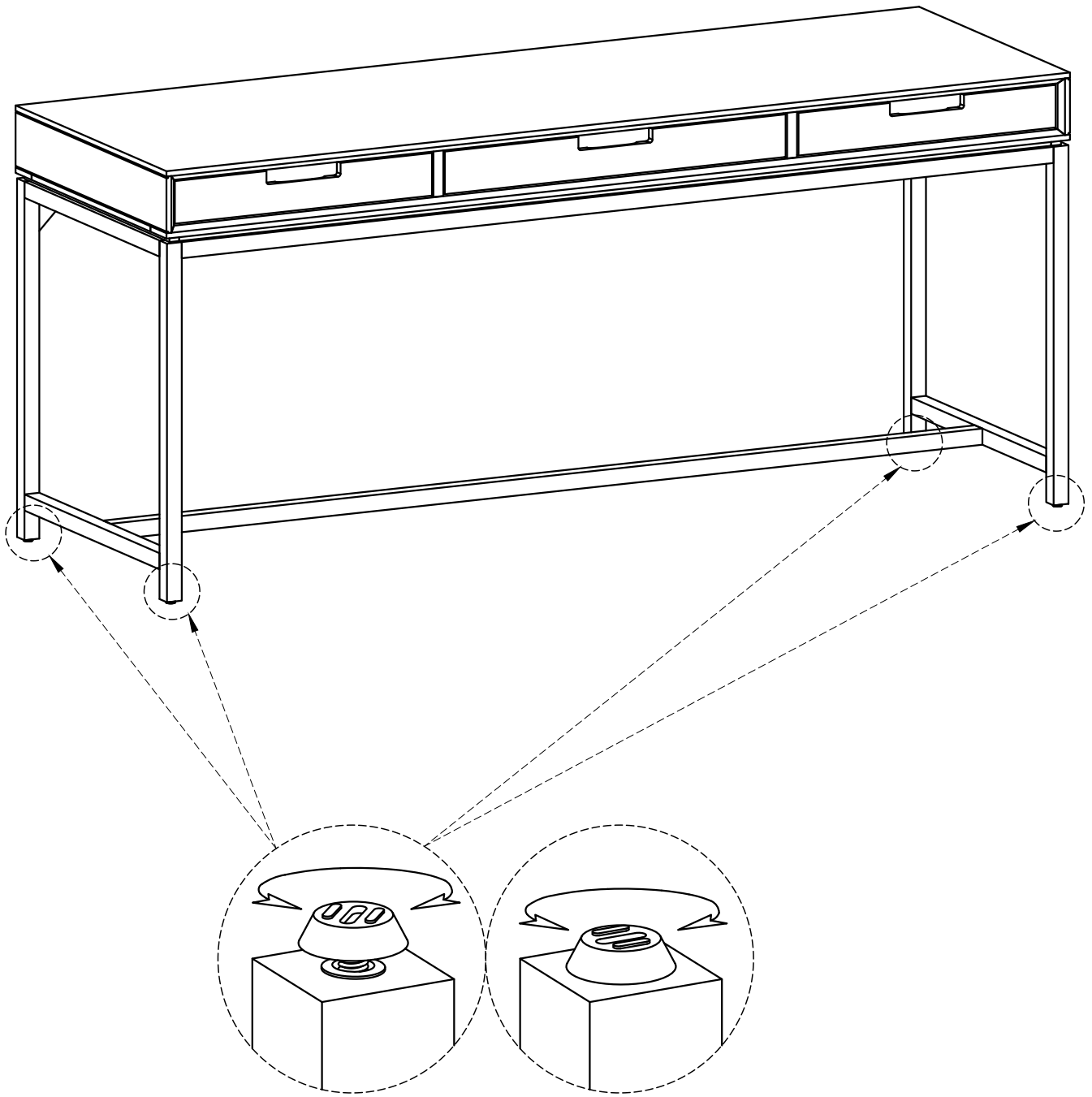


4. Use six Phillips Screws Round Head (4) and six Washers (3) to secure Top (A) and metal frame.

5. Use Phillips screwdriver to snugly tighten Screws.

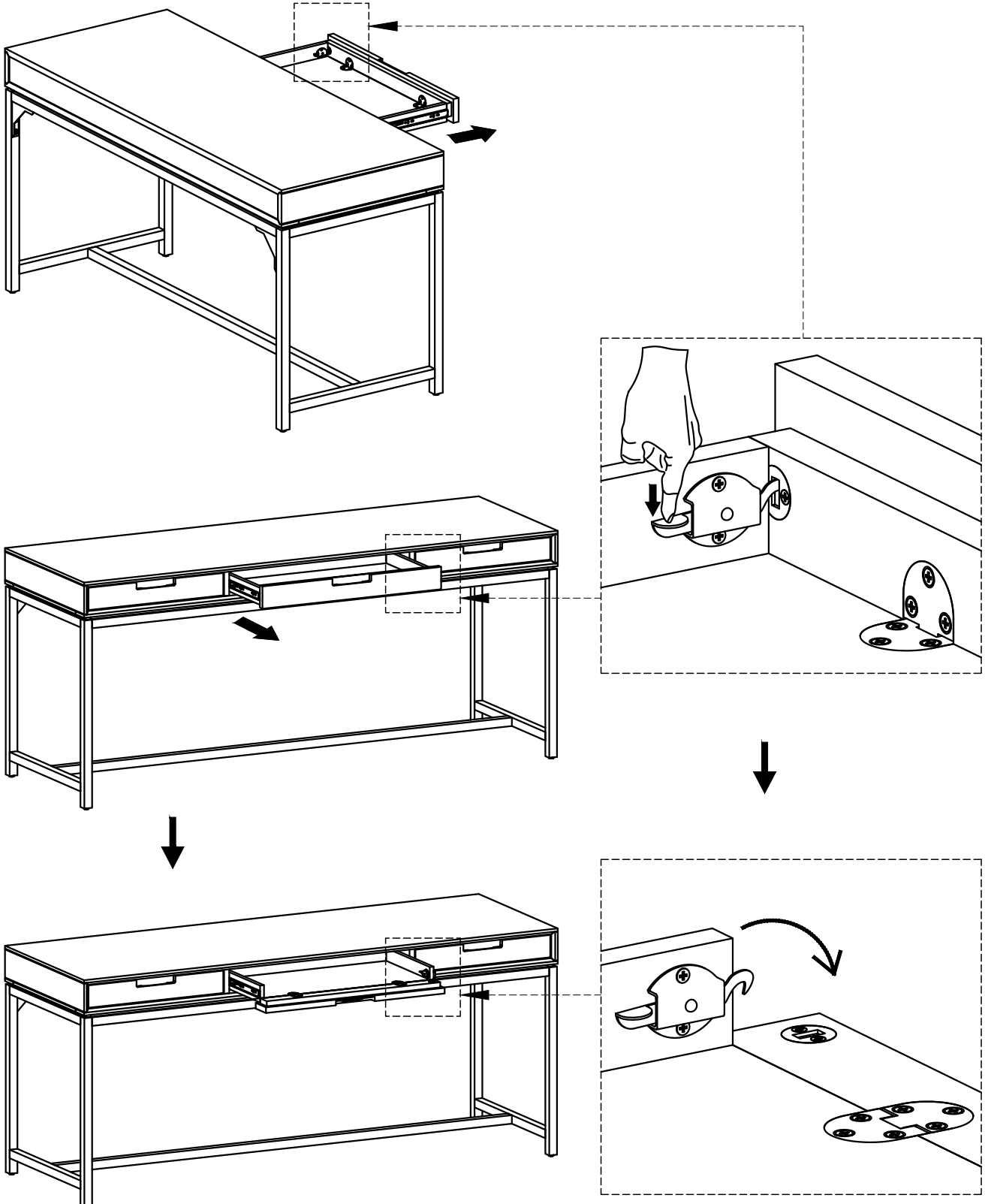


**Step 6**



Note: Levelers on bottom of legs can be adjusted if floor is uneven.

Step 7



1. **YOU MUST** press the lock on the right of the flip down keyboard tray before opening.