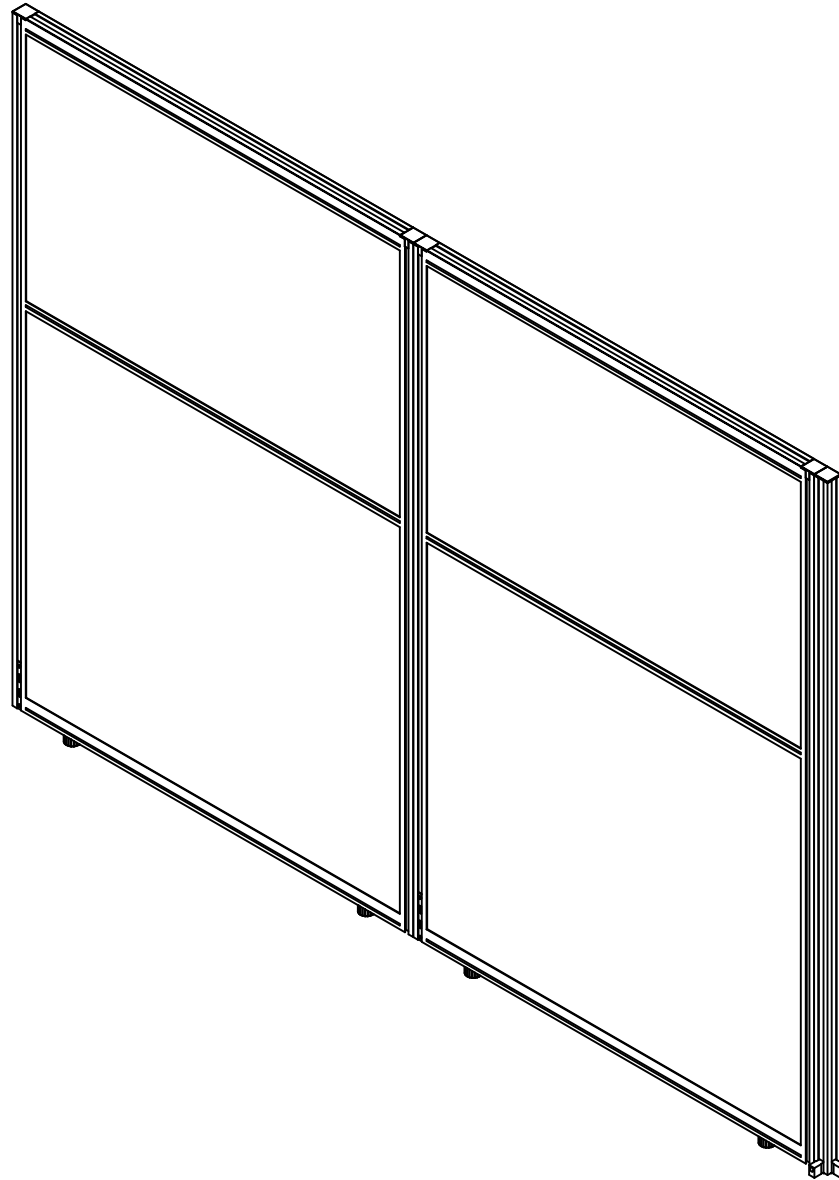


EOP160GR

BOX C: 60W X 45H PANEL WITH CORNER
CONNECTOR

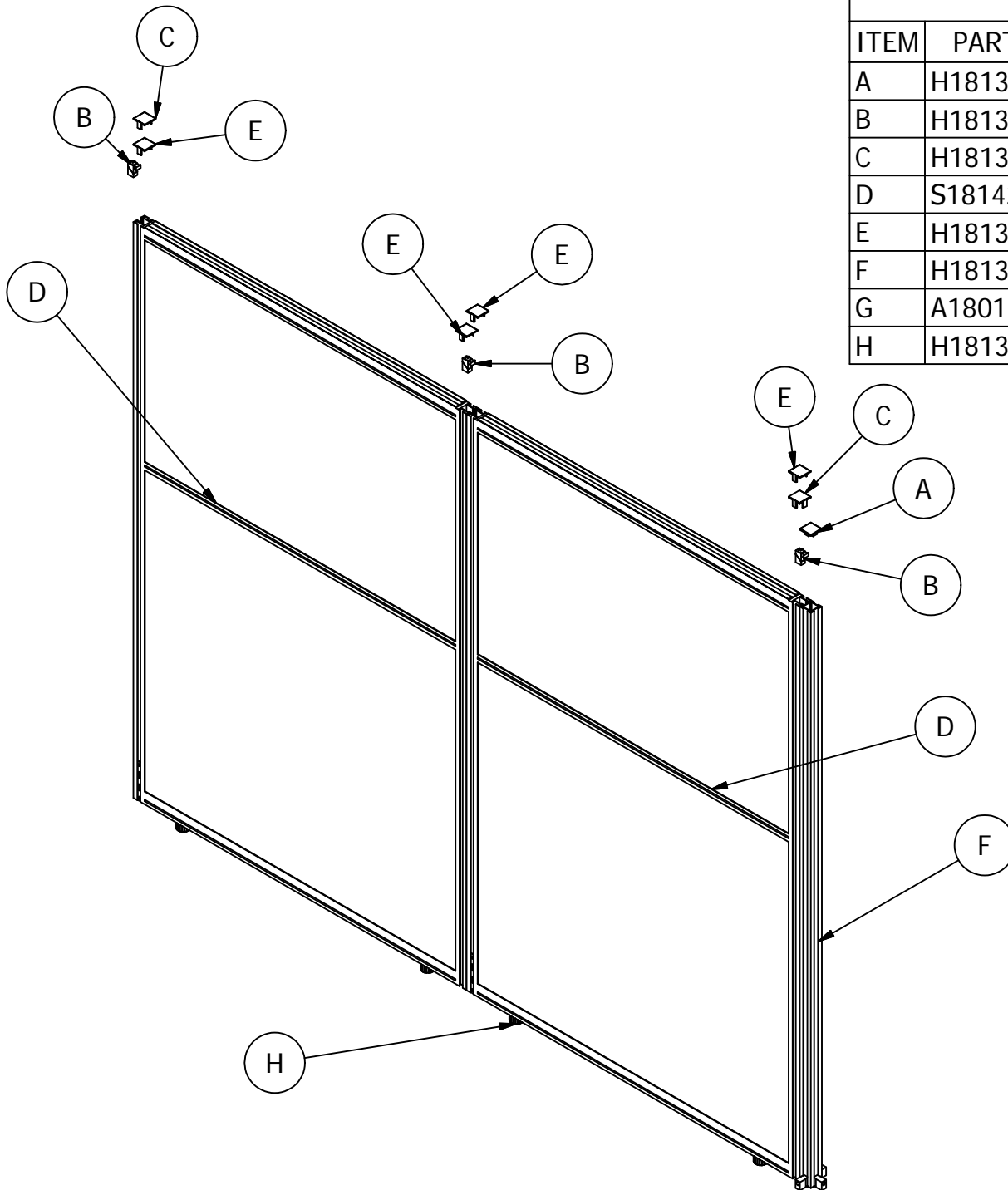


NEED HELP?
Call 1-800-950-4782
www.bushbusinessfurniture.com

Lot Code #

PARTS LIST

A181437A



Parts List			
ITEM	PART NUMBER	TITLE	QT
A	H181335	Corner post cap	1
B	H181331	Top Connector	3
C	H181326	Panel Cap 3 Pin	2
D	S181426	Wall Panel	2
E	H181334	Panel Cap 2 Pin	4
F	H181328	CORNER POST	1
G	A180134	BBF 10 YEAR WARRANTY SHEET	1
H	H181327	LEVELER	4