

SIDES

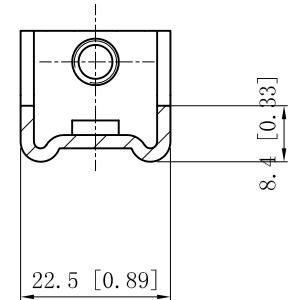
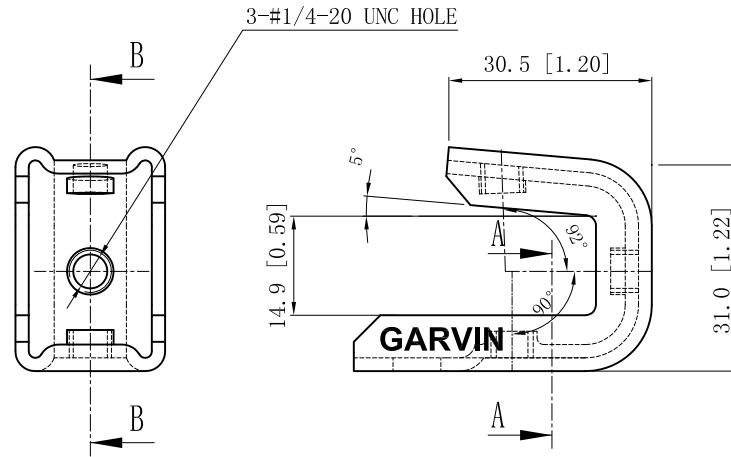
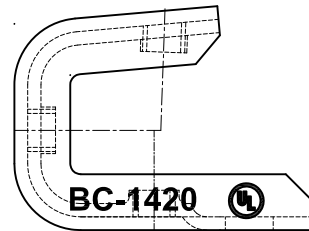
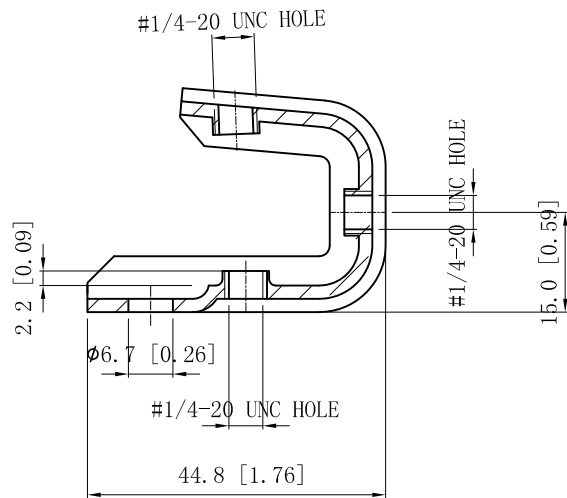
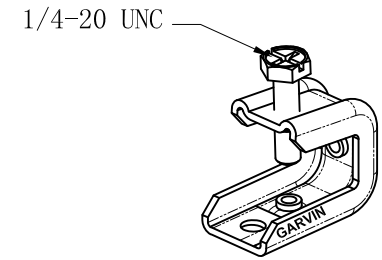
BOTTOM

UL File #

E332115

1 PCS 1/4-20×1 Screws Installed

Material:Steel-0.079"-C.R.S Zinc Plated



CUTAWAY VIEW A-A

This data sheet is for reference only .GARVIN INDUSTRIES reserves the right to make changes to the design without prior notice.

DESCRIPTION
TRADE REFERENCE TERMS

STANDARD PACKING	<h1 style="text-align: center;">GARVIN INDUSTRIES</h1>		
100 PCS			
TITLE	STAMPED STEEL BEAM CLAMPS		
SIZE	DWG NO.	REV	
A4	BC1420	C	
DATA SHEET			
www.garvinindustries.com			