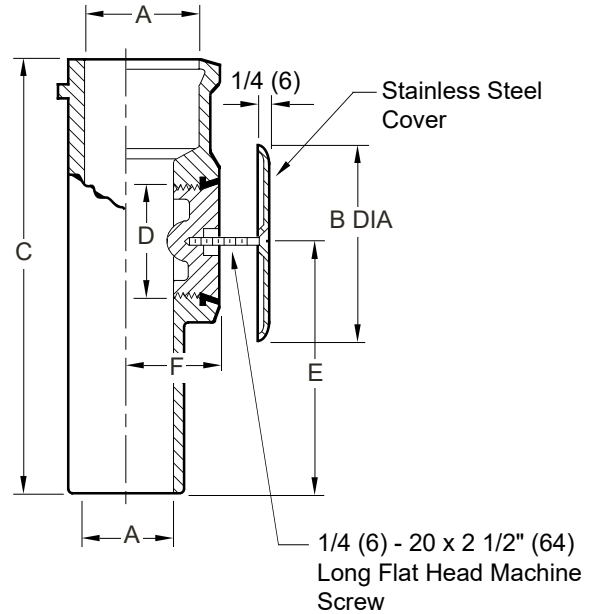
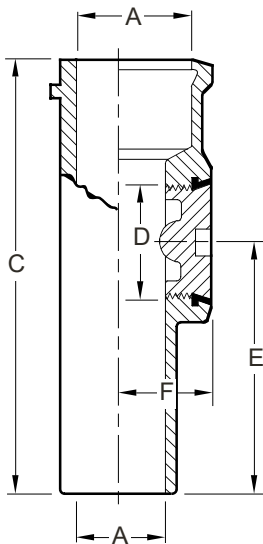


CLEANOUT TEES

WITH COUNTERSUNK PLUG AND ROUND ACCESS COVER



LESS COVER AND SCREW

WITH COVER AND SCREW

- | | | | | |
|--------------------------|------------------|----------------------------------|--------------------------|------------|
| <input type="checkbox"/> | Fig. 4510S | GASKET SEAL - IRON PLUG | <input type="checkbox"/> | Fig. 4530S |
| <input type="checkbox"/> | Fig. 4511S | GASKET SEAL - BRONZE PLUG | <input type="checkbox"/> | Fig. 4531S |
| <input type="checkbox"/> | Fig. 4512S | TAPER THREAD - BRONZE PLUG | <input type="checkbox"/> | Fig. 4532S |

A SIZE	B DIA	C	D SIZE	E	F
02 (50)	4 1/4 (110)	10 1/2 (265)	1 1/2 (38)	6 1/4 (160)	2 (51)
03 (75)	5 1/2 (140)	11 3/4 (300)	2 1/2 (64)	7 (180)	2 1/2 (64)
04 (100)	5 1/2 (140)	12 (305)	3 1/2 (89)	7 (180)	3 (76)
05 (125)	7 (180)	*13 (330)	4 1/2 (115)	8 1/2 (215)	4 (100)
06 (150)	9 1/4 (235)	16 (405)	6 (150)	9 (230)	4 1/2 (115)

* This Dimension becomes 15 (380) for the 4512 and 4532.

Spigot Outlet Sized for Service Weight and/or NO-HUB for 02(50) - 05(125) Sizes

REGULARLY FURNISHED:
 Duco Cast Iron Cleanout Tee and Countersunk Plug with Stainless Steel Round Cover and Screw as Indicated by Figure Number Selected.

- VARIATIONS:**
- Longer Center Screw (Specify Length)
 - "T" Handle Plug -TH (Plug Tapped 1/4" (6) -20 Thread)
 - Vandal Proof Screw -U (Fig. 4530 Series)
 - Y NO-HUB Both Ends 2(50), 3(75) & 4"(100) sizes only

- OPTIONAL MATERIALS:**
- Polished Bronze Cover -PB
 - Prime Coated Steel Cover -PC

NOTE: Dimensions shown in parentheses are in millimeters.

DRAWING NUMBER S4510
 SIZE A
 SCALE: NONE
 DATE: 2-16-70
 APPROVED BY: JM
 CHECKED BY: RP
 DRAWN BY: RK
 4510, 4530 SERIES
 FIGURE NUMBER

WE CAN ASSUME NO RESPONSIBILITY FOR USE OF SUPERSEDED OR VOID DATA

DIMENSIONS ARE SUBJECT TO MANUFACTURERS TOLERANCE AND CHANGE WITHOUT NOTICE

REV.	DATE	DESCRIPTION	BY	CKD. BY	WEIGHT POUNDS	VOLUME CUBIC FEET	FIGURE NUMBER
J H G F	8-18-23 10-27-15 10-7-14 11/04/03	Removed Function Rev. Table, Outlet Size, Var. Revised Variations Revised Variations	HS TBW TBW JJ	CL BW BW CL			4510 SERIES 4530 SERIES