








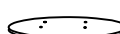

ITEM: 6750-75202-95 Bistro Table

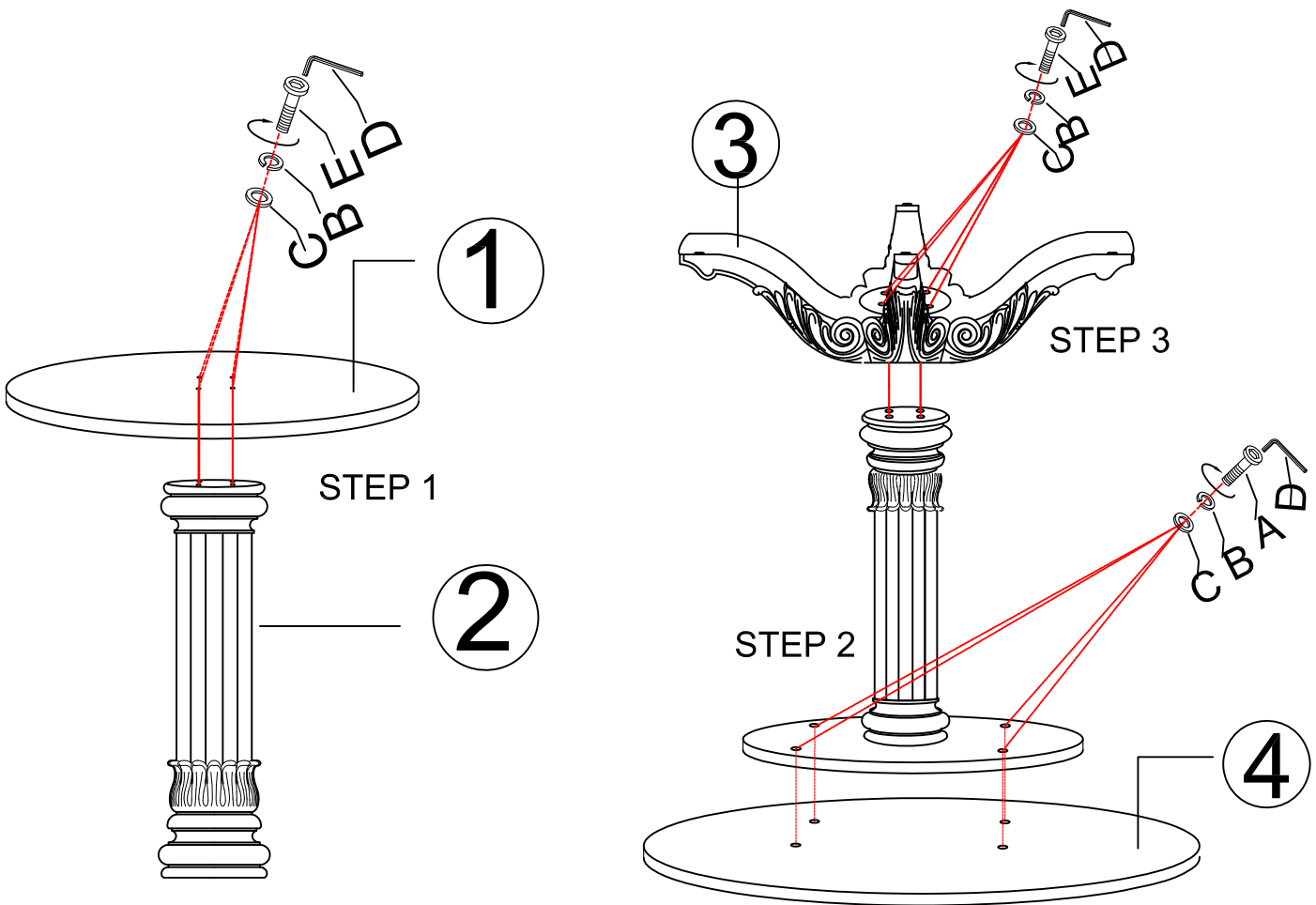
Thank you for purchasing this quality product. Be sure to unpack carefully looking for small parts which may have come loose during shipment.

Read all instruction and study the drawing carefully before starting the assembly process.

HARDWARE PACK

PART LIST

NO.	DRAWING	DESCRIPTION	SIZE	Q'TY	NO.	DRAWING	DESCRIPTION	Q'TY
A		Bolt	$\frac{5}{16}$ "*35MM	4PCS	①		Mounting Bridge	1PC
B		Lock Washer	$\frac{5}{16}$ "	12PCS	②		Post	1PC
C		Flat Washer	$\frac{5}{16}$ "	12PCS	③		Base	1PC
D		Allen Wrench	73*29*5MM	1PC	④		Top	1PC
E		Bolt	$\frac{5}{16}$ "*70MM	8PCS				



Step 1: Attach mounting bridge (1) on the post (2).

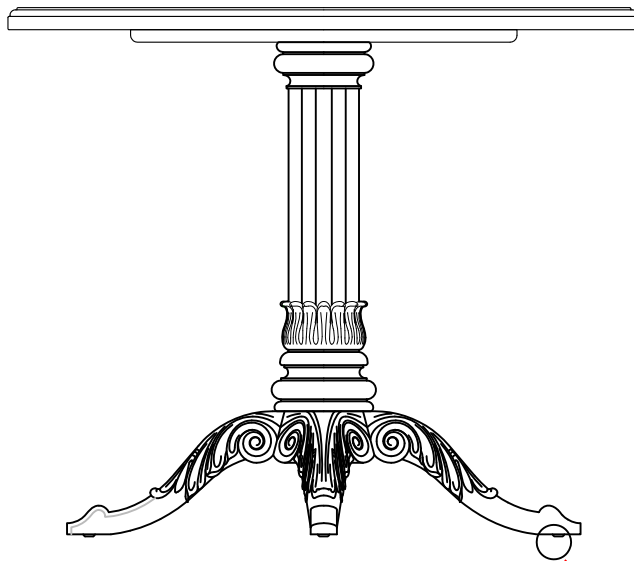
Step 2: Attach post (2) to the top (4).

Step 3: Assemble base (3) to the post (2).

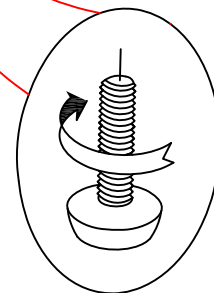
ITEM: 6750-75202-95 Bistro Table

Thank you for purchasing this quality product. Be sure to unpack carefully looking for small parts which may have come loose during shipment.

Read all instruction and study the drawing carefully before starting the assembly process.



Adjust Leveler if needed
to level table on uneven
floor.



STEP 4