



Middleton®

33" top-mount double-bowl kitchen sink
14633-4

Features

- Four faucet holes
- 6" (152 mm) depth
- 3-5/8" (92 mm) drain opening
- Stainless steel with luster finish

Material

- Premium 20-gauge stainless steel

Installation

- Top-mount

Recommended Products/Accessories

- 7400 Stainless Steel Sink Drain and Strainer
- K-23729 Stainless steel cleaner

Included Components

- 1279210 12 Count Installation Clips



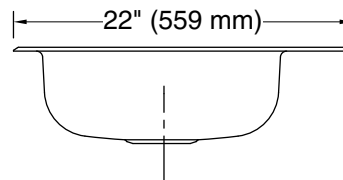
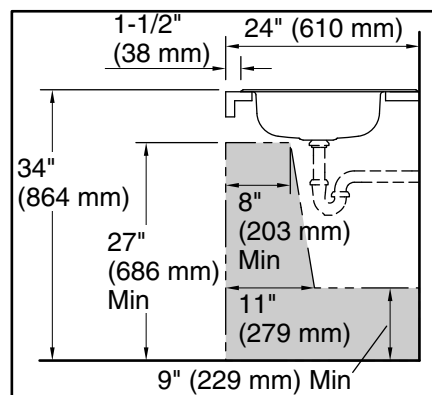
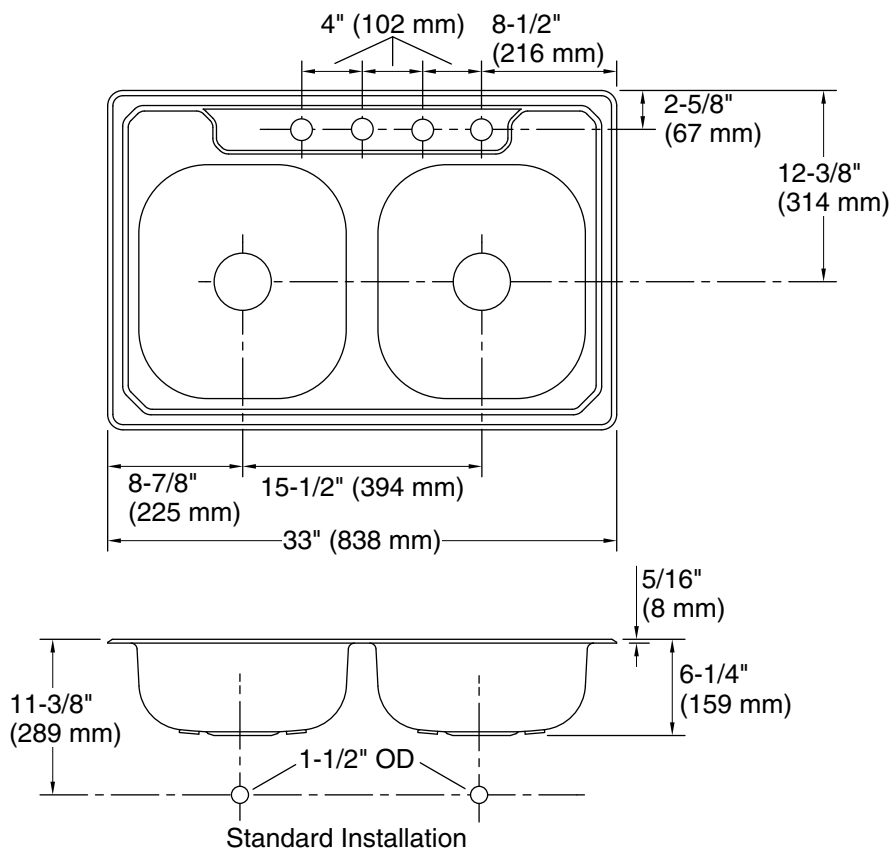
ADA

Codes/Standards

- ASME A112.19.3/CSA B45.4
- ADA
- ICC/ANSI A117.1

STERLING® Stainless Steel Sinks Lifetime Limited Warranty

See website for detailed warranty information.



Technical Information

All product dimensions are nominal.

- Basin configuration: Equal Bowls
- Cutout: Top-mount, 32-1/2" x 21-1/2" (826 mm x 546 mm) with 11/16" (18 mm) radius corners
- Bowl area (Left): Length: 13-3/4" (349 mm)
Width: 15-1/2" (394 mm)
Bowl depth: 6" (152 mm)
Water depth: 6" (152 mm)
- Bowl area (Right): Length: 13-3/4" (349 mm)
Width: 15-1/2" (394 mm)
Bowl depth: 6" (152 mm)
Water depth: 6" (152 mm)
- Number of deck holes: 4
- Faucet hole(s): 1-7/16" (37 mm)
- Drain hole: 3-5/8" (92 mm)

Notes

- Install this product according to the installation instructions.
- Measure your actual product for roughing-in details.
- ADA compliant when installed to the specific requirements of these regulations.