

Assembly Guide

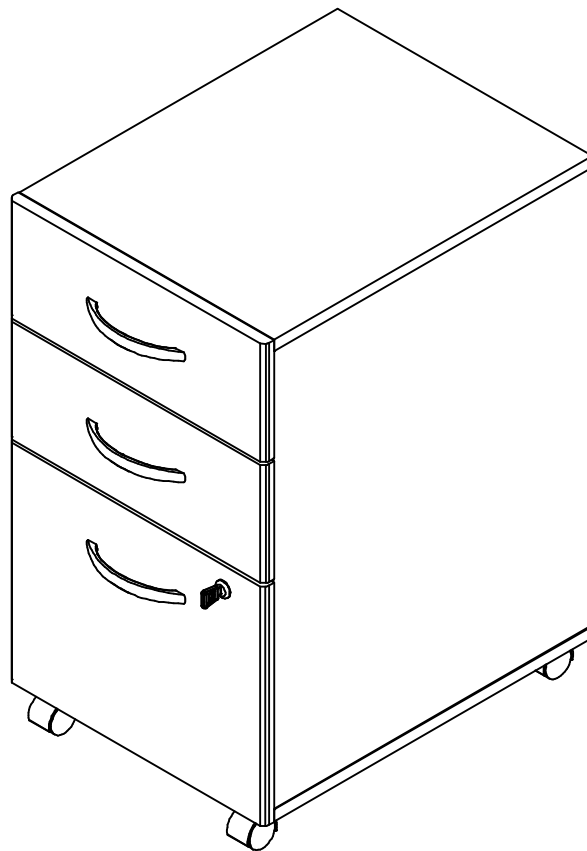


If you're having any difficulty during assembly of this product, don't hesitate to call us at 1-800-950-4782.

Our customer service experts are trained to provide step-by-step instruction and can easily replace any missing or damaged parts.

Representatives are available Monday-Friday from 8:30 a.m. to 7:30 p.m. (ET)

3 Drawer Mobile Pedestal



Lot Code #

Part Number A179126D

Keep manual for future reference.

For best results, keep these tips in mind:

- ① We know you want to finish this assembly as quickly as possible, but trust us: you'll have a better experience if you take it one step at a time.
- ② Give yourself some room to work near where you want the fully assembled product.
- ③ If your floor isn't carpeted, assemble this product on the empty carton to avoid scratching.
- ④ Do you have a friend who owes you a favor? Some steps may go a little easier with a second set of hands.

DOs

- ✔ Use a #2 Phillips head screwdriver (or other handheld tools as indicated)
- ✔ Wear safety glasses at all times during assembly
- ✔ Carefully follow the instructions in this guide and complete all steps in order
- ✔ Give us a call if you're having trouble with a particularly tricky step

DON'Ts

- ✘ We know power tools are quick and easy, but you shouldn't use them when assembling this product (unless otherwise specified)
- ✘ Never move your furniture with items inside or resting on the surface
- ✘ Do not attempt to use this product before all steps have been completed



Watch assembly videos right on your phone or computer!



Some steps include QR codes that link to helpful videos. Watch out for the icon below! Simply open up your smartphone camera to scan the code.

(Users of older smartphones may need to install a QR Reader.)

SCAN HERE



FOR VIDEOS

Or visit <https://www.bushbusinessfurniture.com/CustomerService/HowtoAssemble.aspx>

IMPORTANT SAFETY INFORMATION

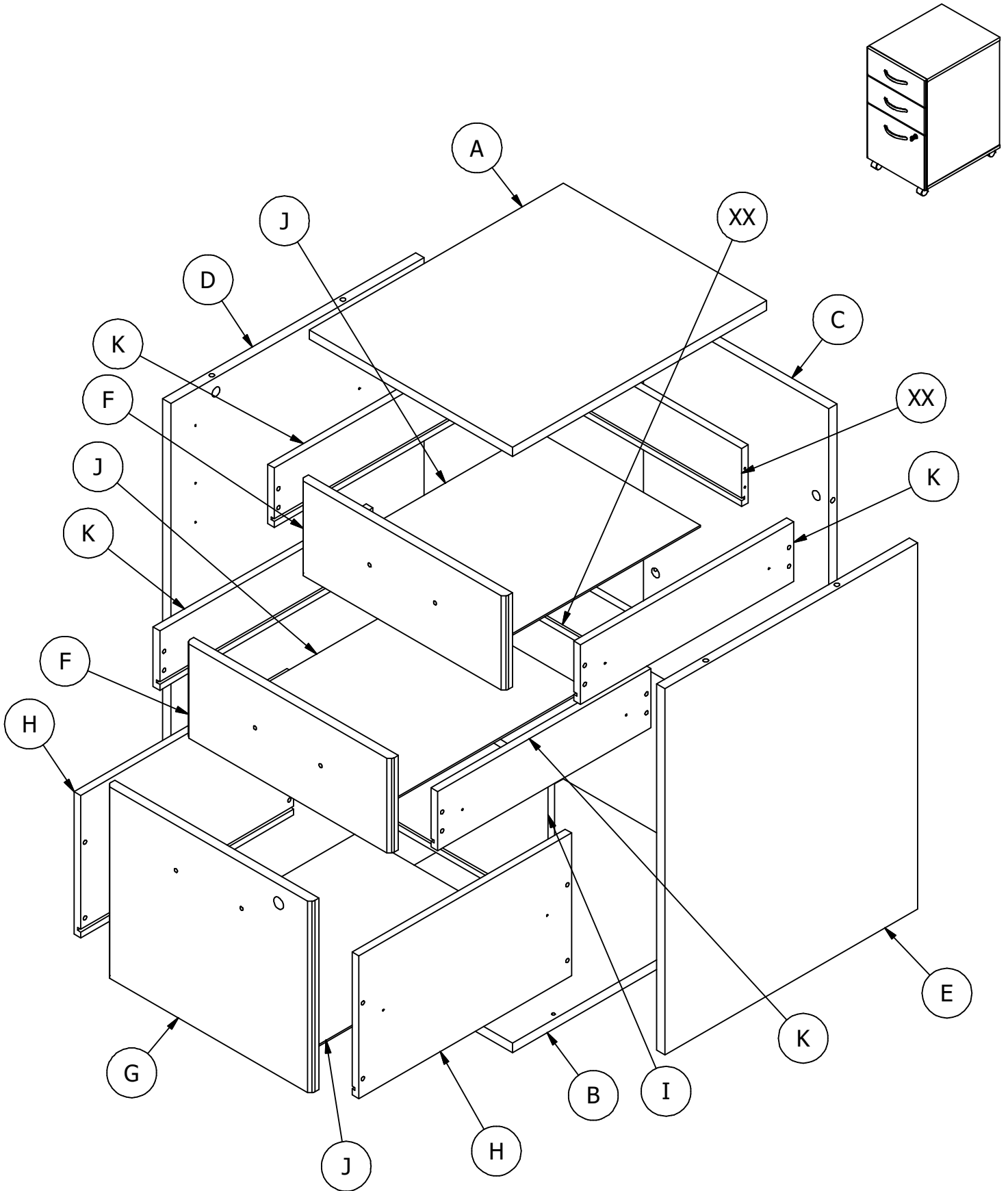


PLEASE READ WARNINGS

Improper use can cause safety hazards, or damage to your furniture and household items.

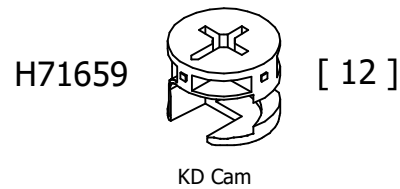
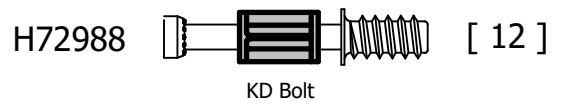
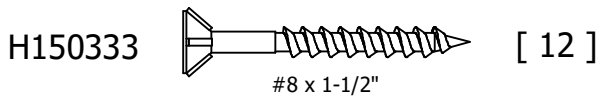
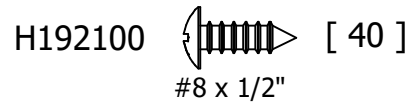
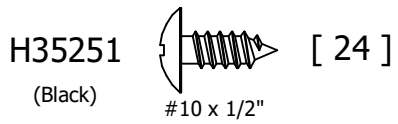
Warning	Do	Don't	Why it's important
Serious injury may occur.	<ul style="list-style-type: none">Assemble following all instructions using all indicated parts and hardware provided.Install every indicated nail and/or screw.Verify furniture is stable on it's own.Place heaviest items in the lower drawers.Always load the bottom drawer first.	<ul style="list-style-type: none">Do not move unit when loaded.Do not load with a television or other heavy equipment.Never exceed the maximum load limits stated in the instructions.	Improper assembly, use or loading can lead to product instability, tip-over or collapse.

Caution	Do	Don't	Why it's important
Injury may occur.	<ul style="list-style-type: none">Unload unit prior to moving starting with top drawer first.	<ul style="list-style-type: none">Do not move unit when loaded.	Loaded units are heavy and are not designed to be moved when loaded.



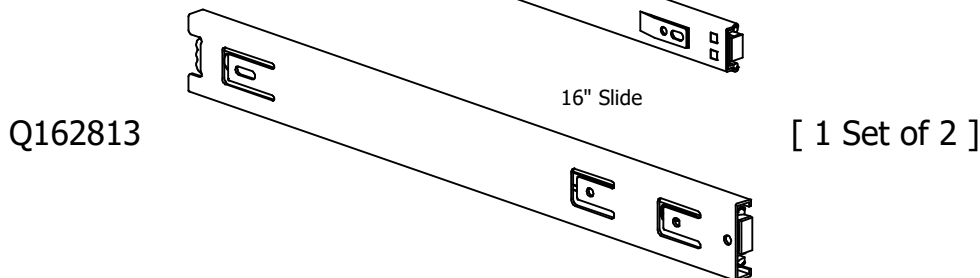
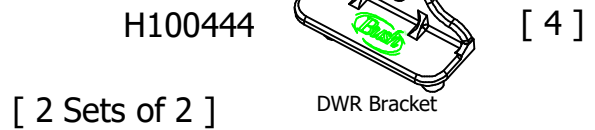
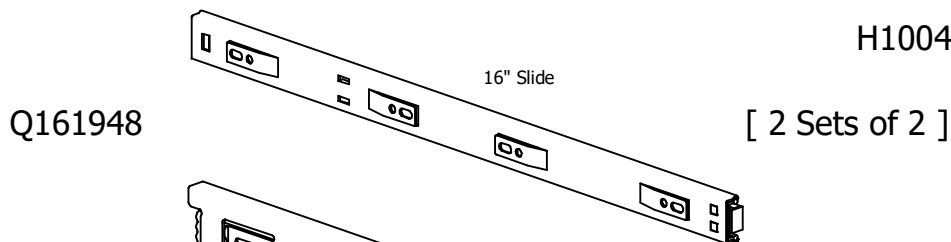
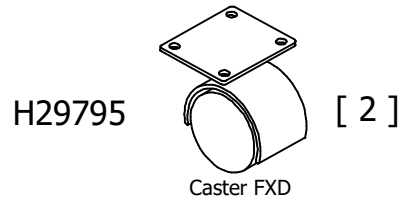
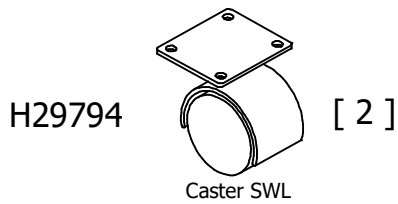
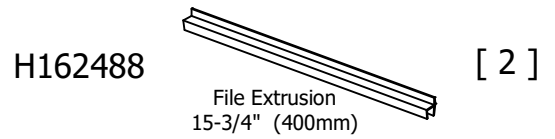
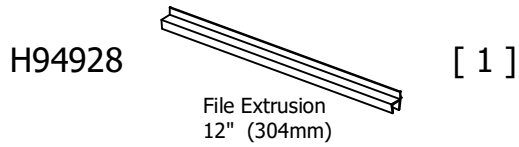
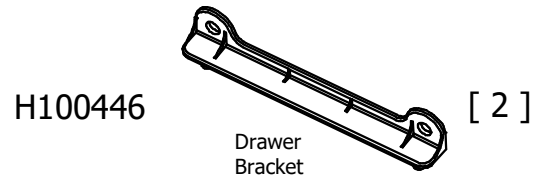
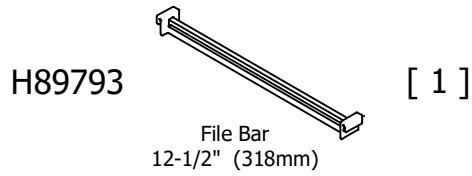
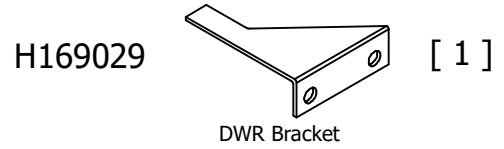
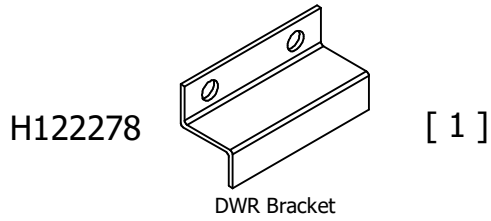
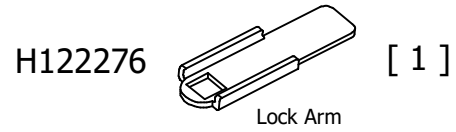
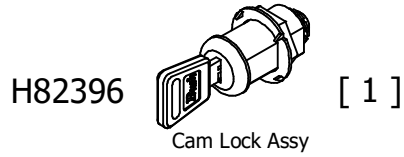
Have an assembly question or need a replacement part? Just call
1-800-950-4782, we are here to help.

Fasteners are shown actual size.



Have an assembly question or need a replacement part? Just call
1-800-950-4782, we are here to help.

Hardware not to scale.



Have an assembly question or need a replacement part? Just call
1-800-950-4782, we are here to help.

STEP 1

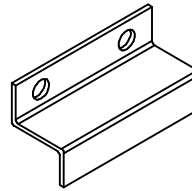
Prepare Drawer Fronts

A179126D

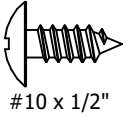
H100444 [4]
DWR Bracket



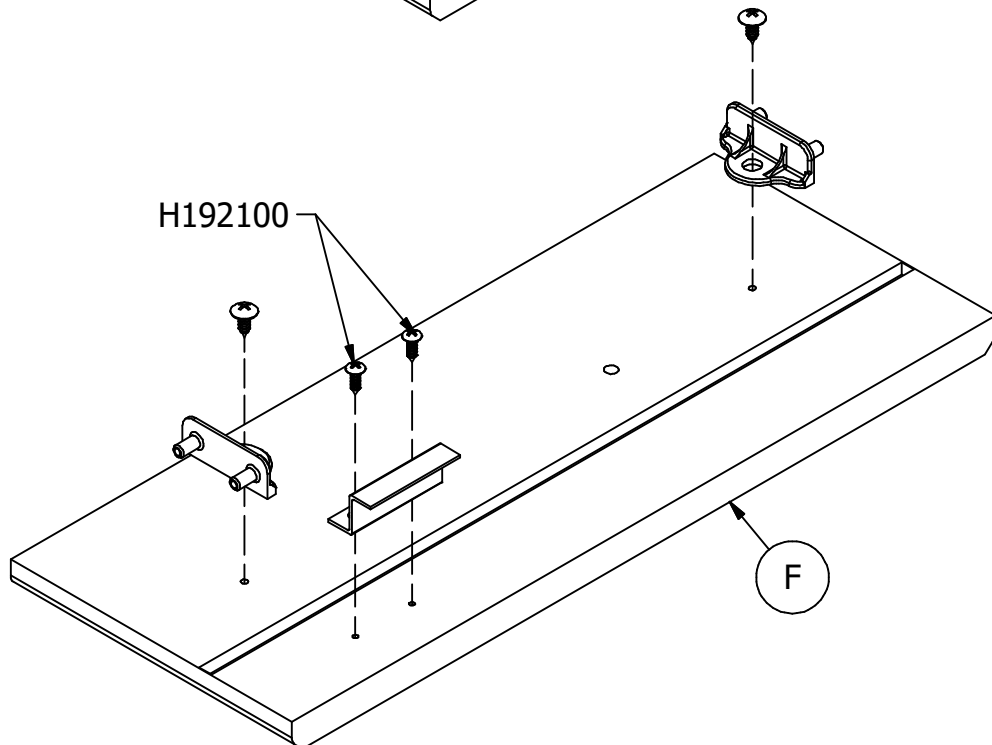
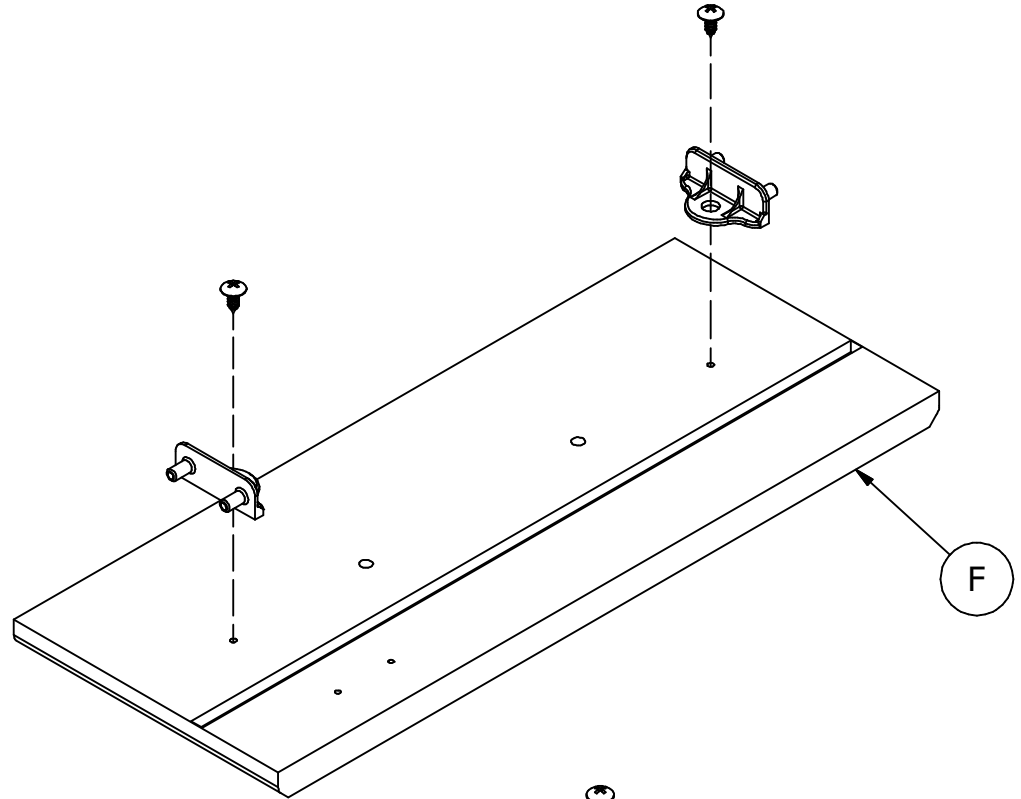
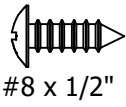
H122278 [1]
DWR Bracket



H35251 [4]
(Black)
#10 x 1/2"

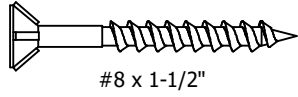


H192100 [2]
#8 x 1/2"



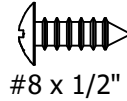
Have an assembly question or need a replacement part? Just call
1-800-950-4782, we are here to help.

H150333

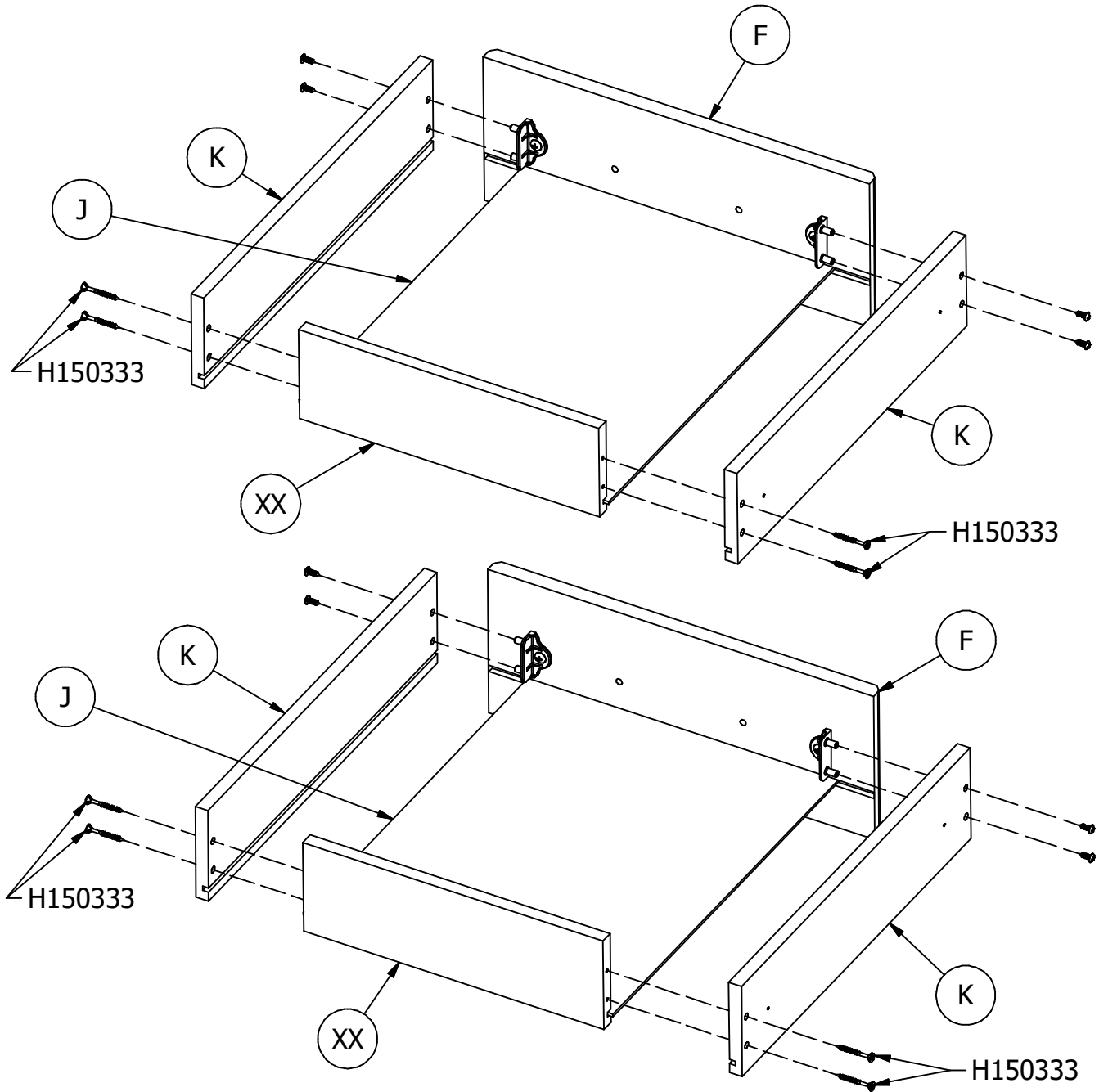


[8]

H192100



[8]



Have an assembly question or need a replacement part? Just call
1-800-950-4782, we are here to help.

STEP 3

Prepare Drawer Front

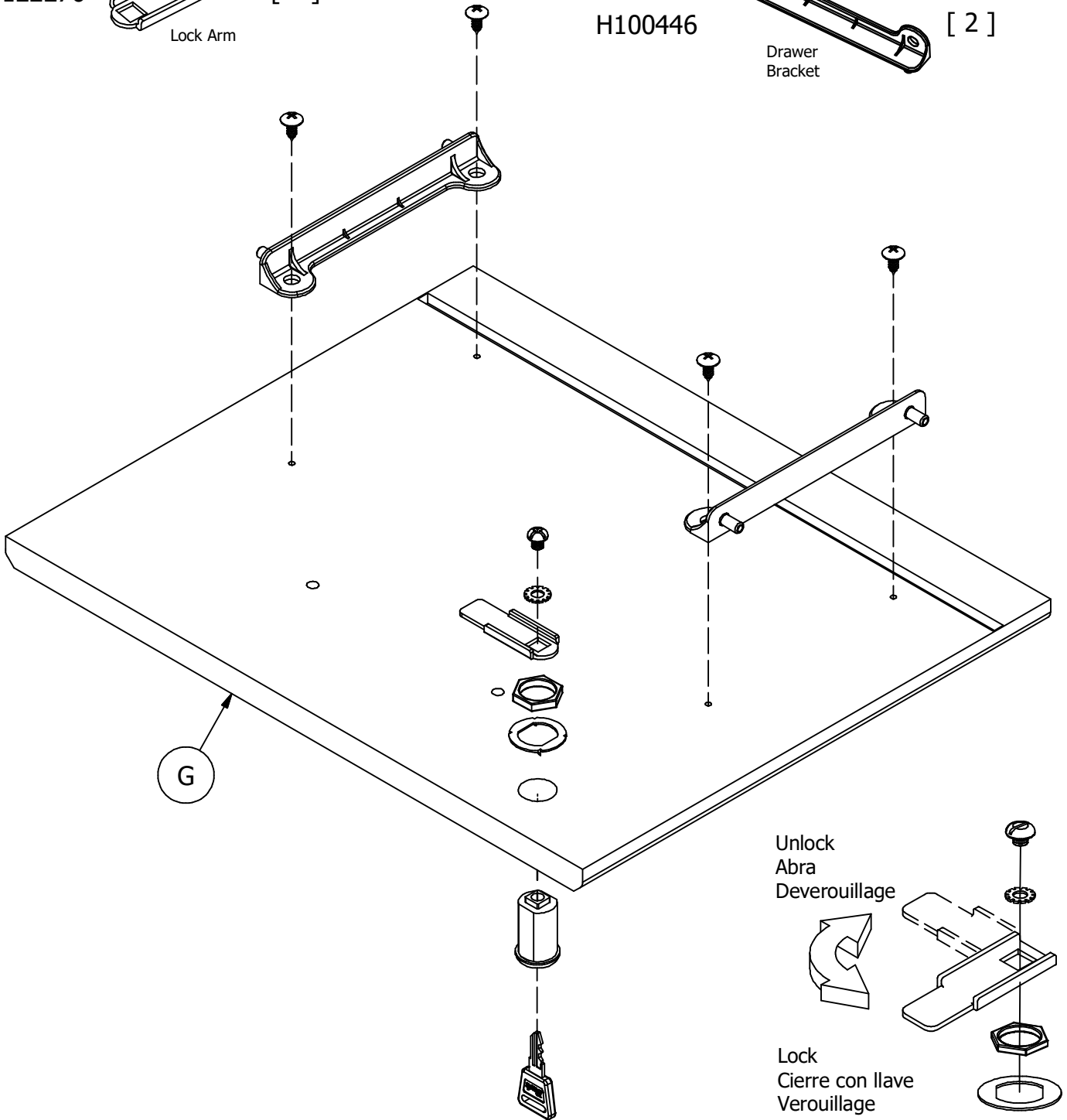
A179126D

H35251 [4]
(Black) #10 x 1/2"

H82396 [1]
Cam Lock Assy

H122276 [1]
Lock Arm

H100446 [2]
Drawer Bracket



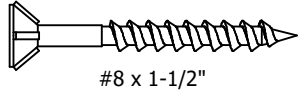
Have an assembly question or need a replacement part? Just call **1-800-950-4782**, we are here to help.

STEP 4

Build Drawer

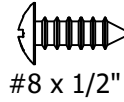
A179126D

H150333



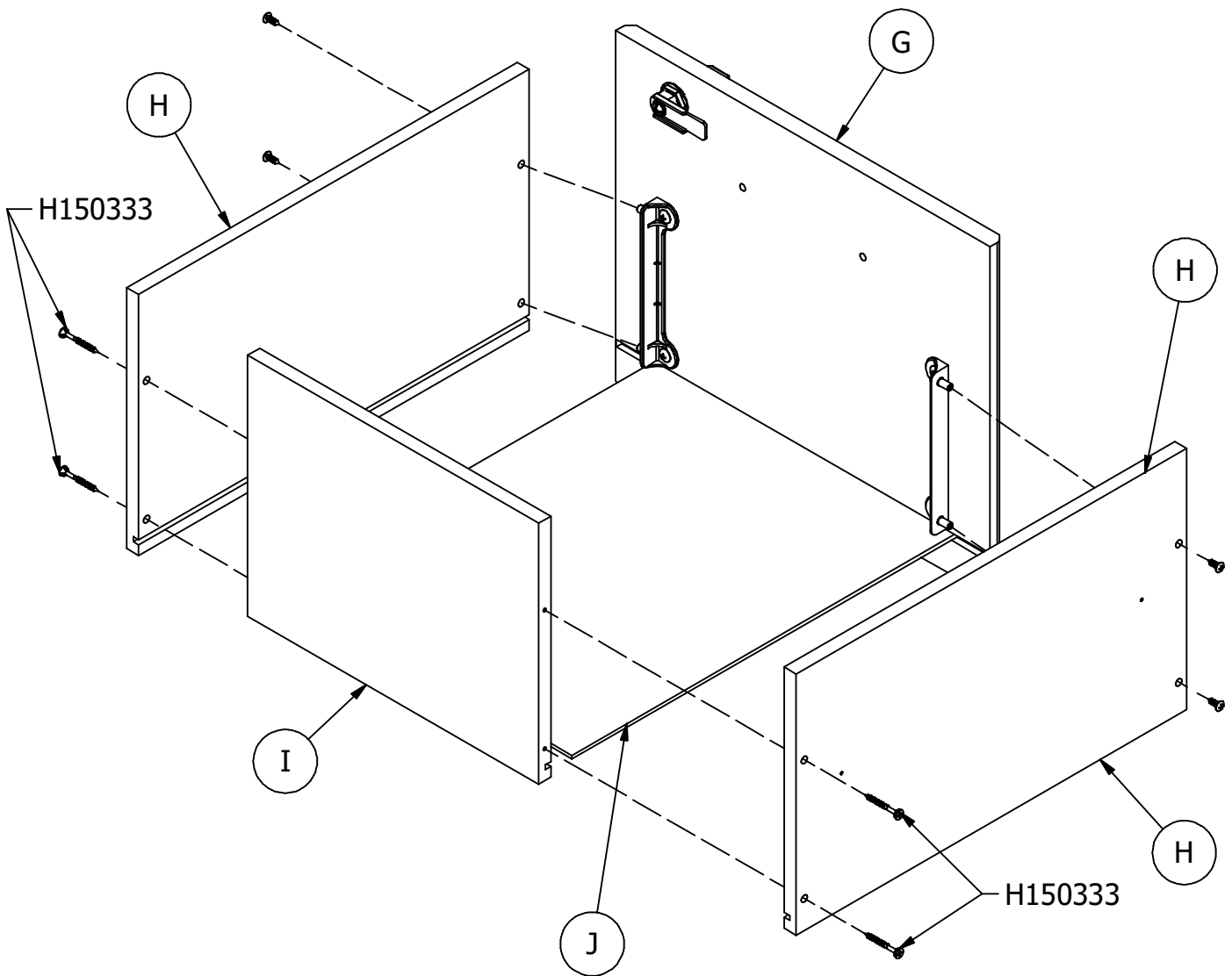
[4]

H192100



[4]

#8 x 1/2"



Have an assembly question or need a replacement part? Just call
1-800-950-4782, we are here to help.

Scan QR Code to Watch Video on:

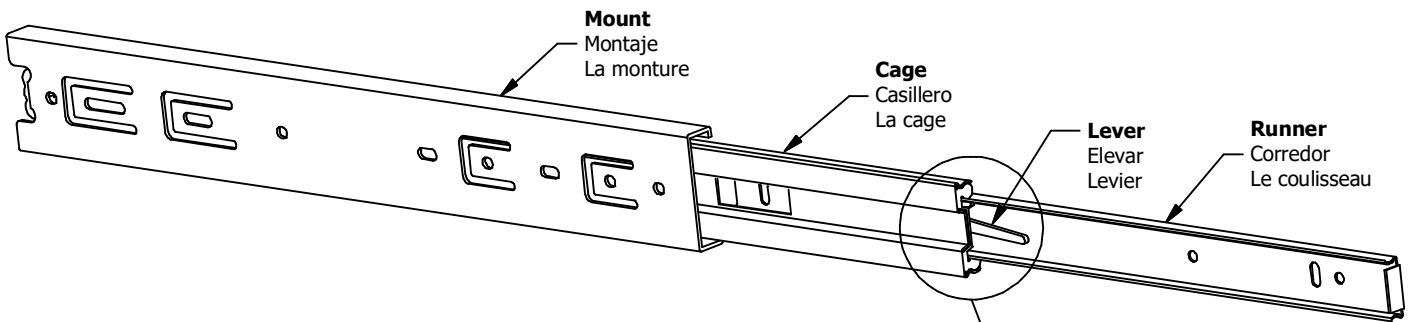


How to Separate and Install Drawer Slides

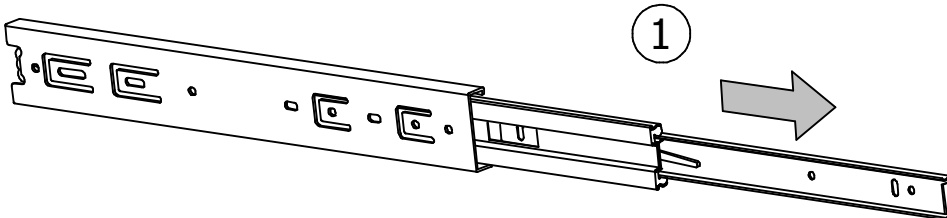
**Slides Must Be Separated Before Assembly.
After Separated, Set Aside Until Needed for Assembly.**

Las diapositivas deben separarse antes del montaje.
Después de la separación, déjelo a un lado hasta que sea necesario.

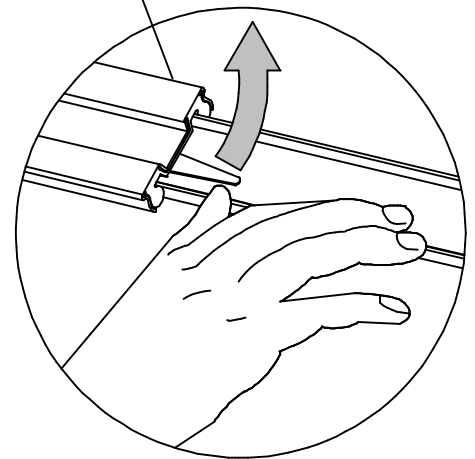
Les glissières doivent être séparées avant l'assemblage.
Après la séparation, mettez de côté jusqu'au moment de l'assemblage.



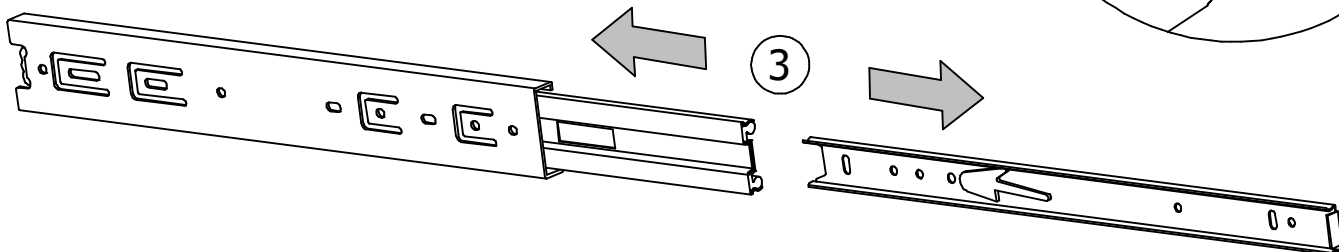
STEP 1: Extend Slide
Extender la diapositiva
Extendre la diapositive



STEP 2: Push Lever UP
Empujar hacia arriba
Lever le levier



STEP 3: Remove Runner
Quitar el corredor
Enlever le coureur



Have an assembly question or need a replacement part? Just call **1-800-950-4782**, we are here to help.

STEP 6

Attach Hardware

A179126D

Scan QR Code to Watch Video on:

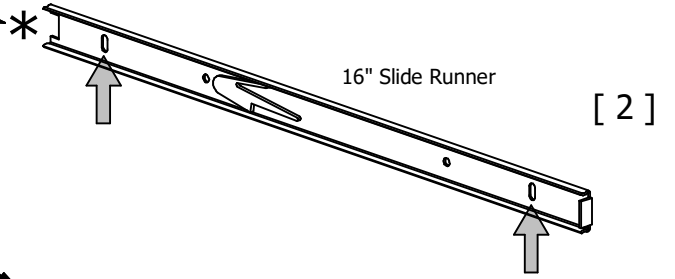


How to Separate and Install Drawer Slides

H192100 [12]
#8 x 1/2"

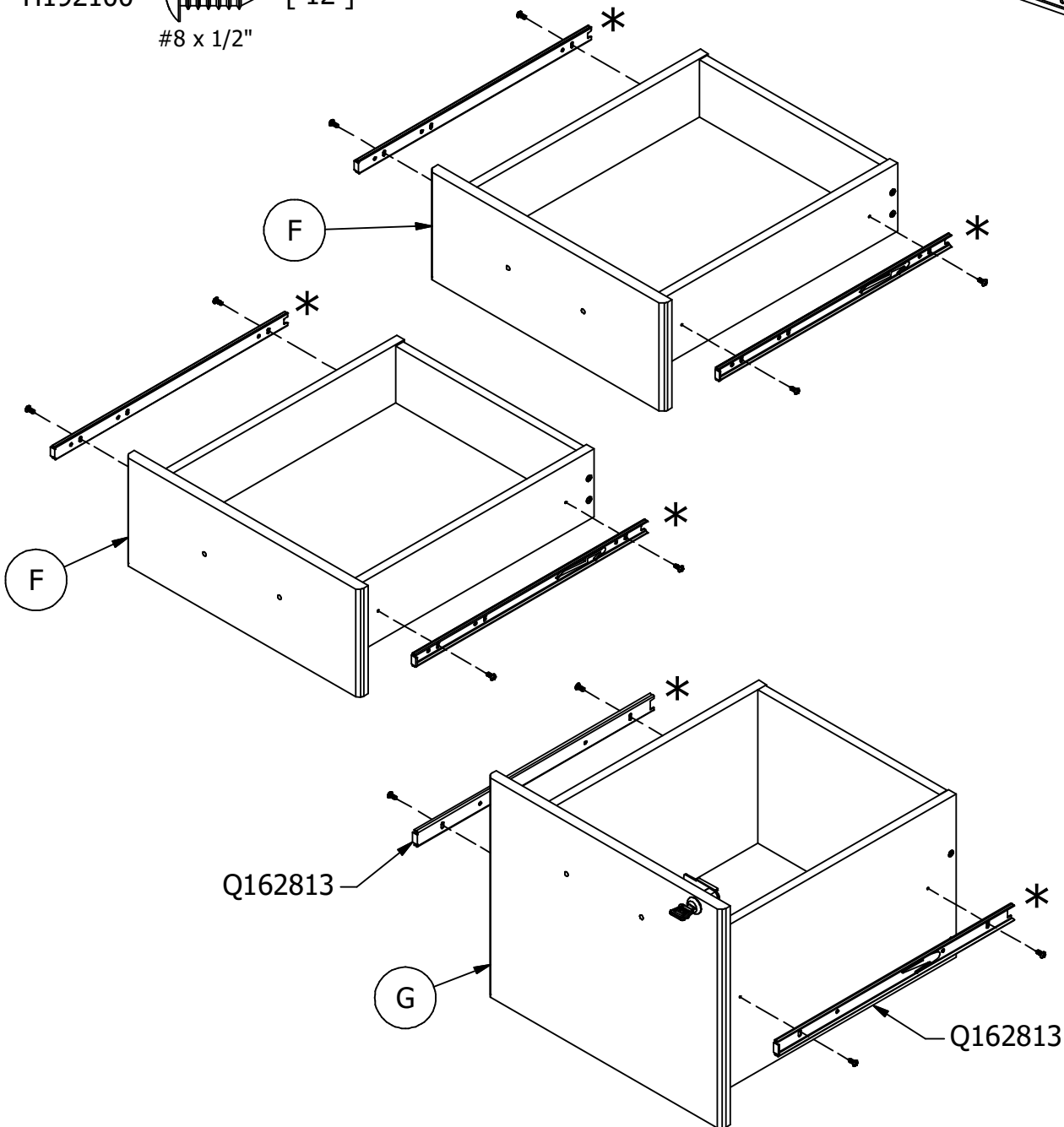
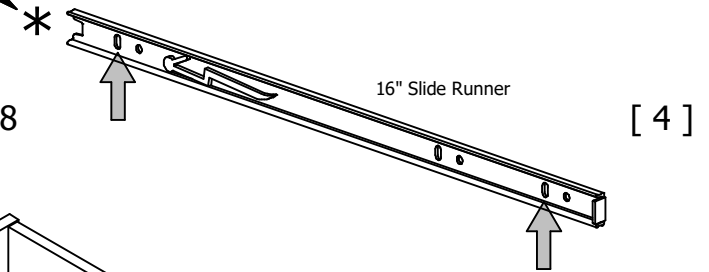
Orientation
Orientación
L'orientation

Q162813

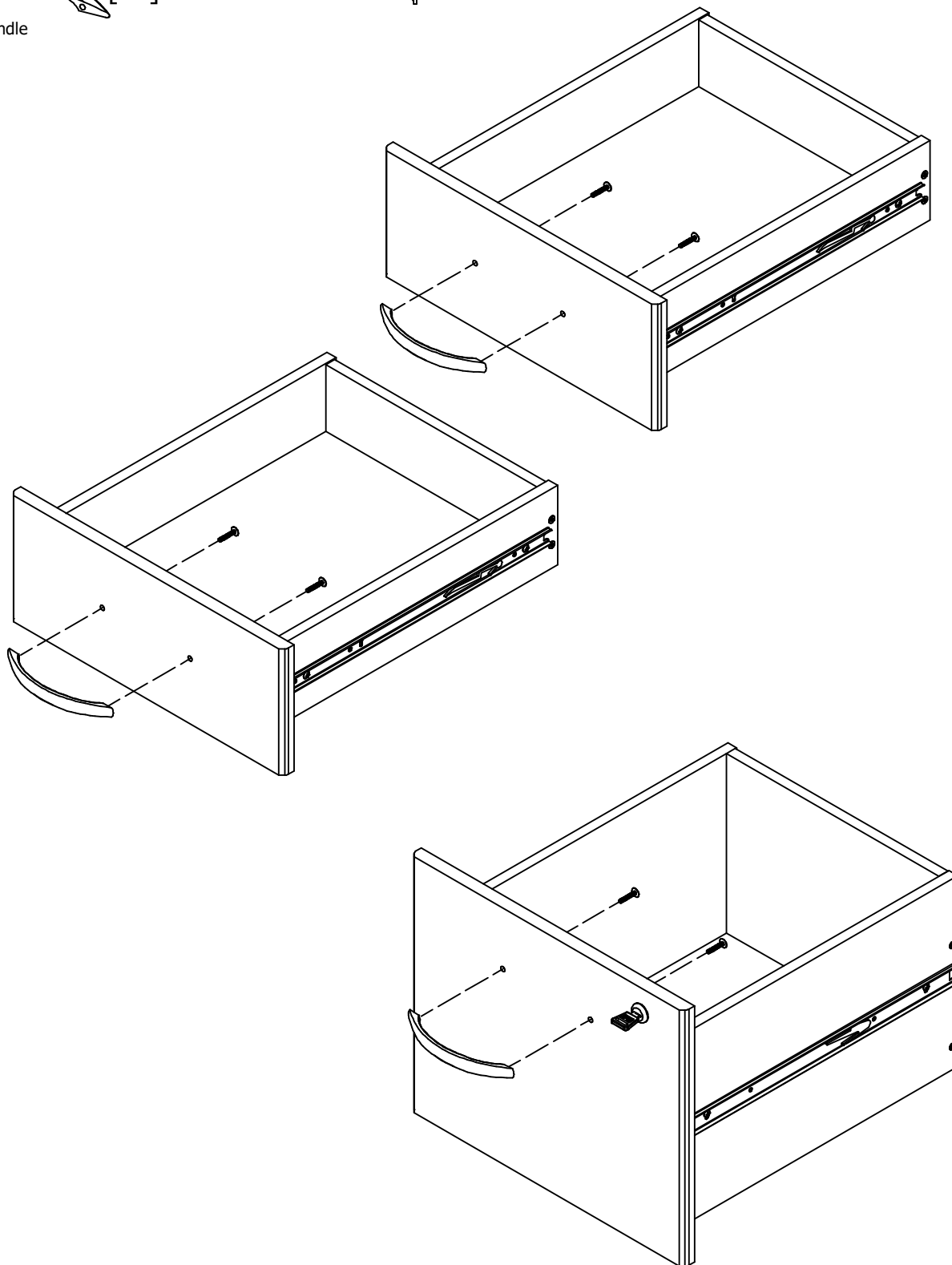
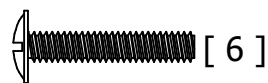
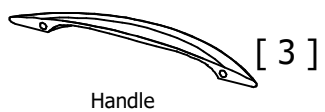


Orientation
Orientación
L'orientation

Q161948



Have an assembly question or need a replacement part? Just call **1-800-950-4782**, we are here to help.



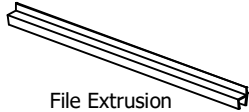
Have an assembly question or need a replacement part? Just call
1-800-950-4782, we are here to help.

STEP 8

Attach Hardware

A179126D

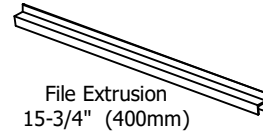
H94928



[1]

File Extrusion
12" (304mm)

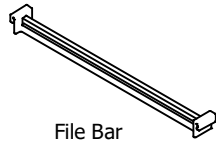
H162488



[2]

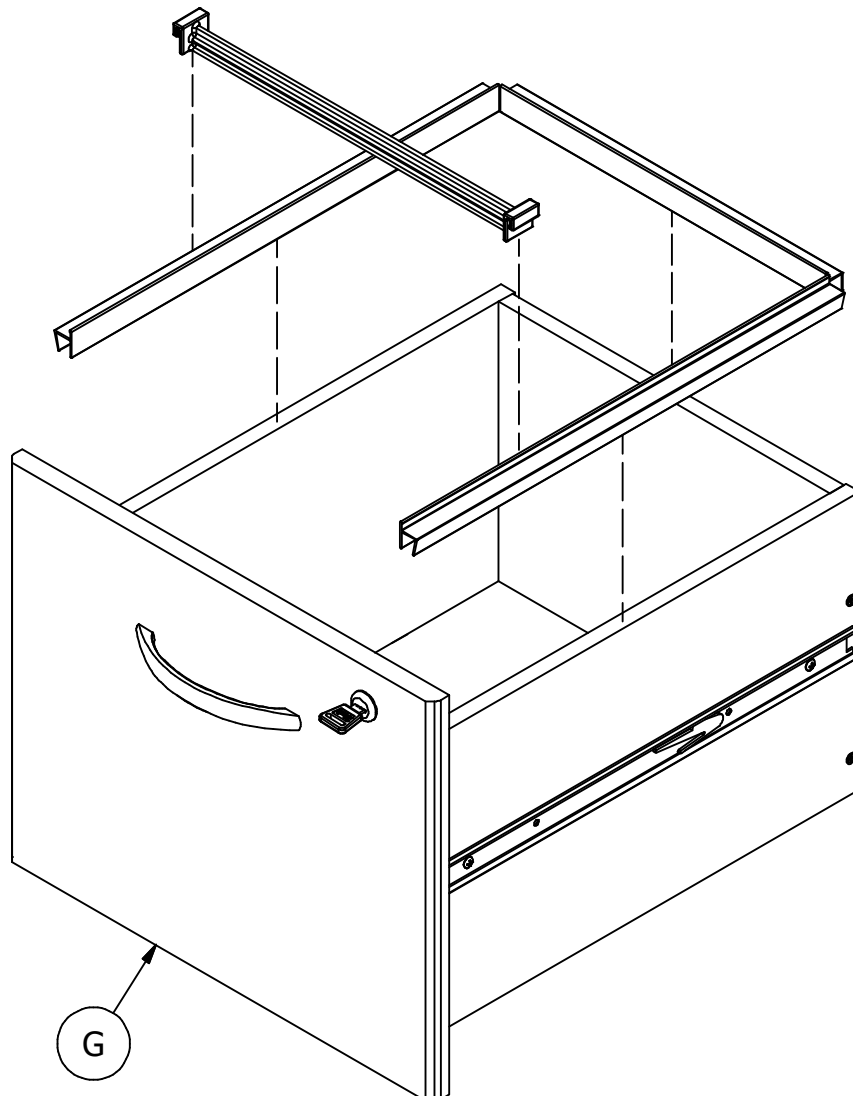
File Extrusion
15-3/4" (400mm)

H89793



[1]

File Bar
12-1/2" (318mm)



Have an assembly question or need a replacement part? Just call
1-800-950-4782, we are here to help.

STEP 9

Prepare Panel

A179126D

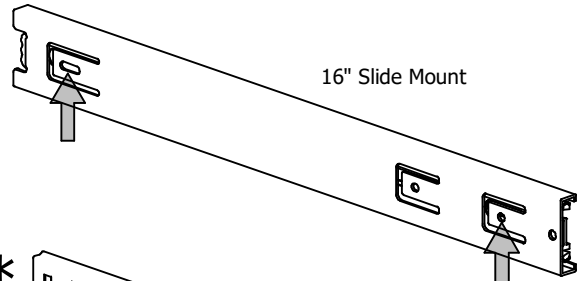
Scan QR Code to Watch Video on:



How to Separate and Install Drawer Slides

Orientation
Orientación
L'orientation

Q162813

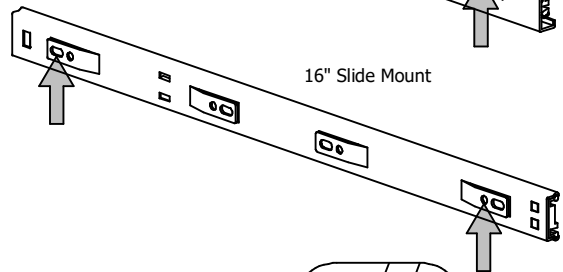


16" Slide Mount

[1]

Orientation
Orientación
L'orientation

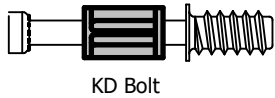
Q161948



16" Slide Mount

[2]

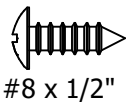
H72988



[2]

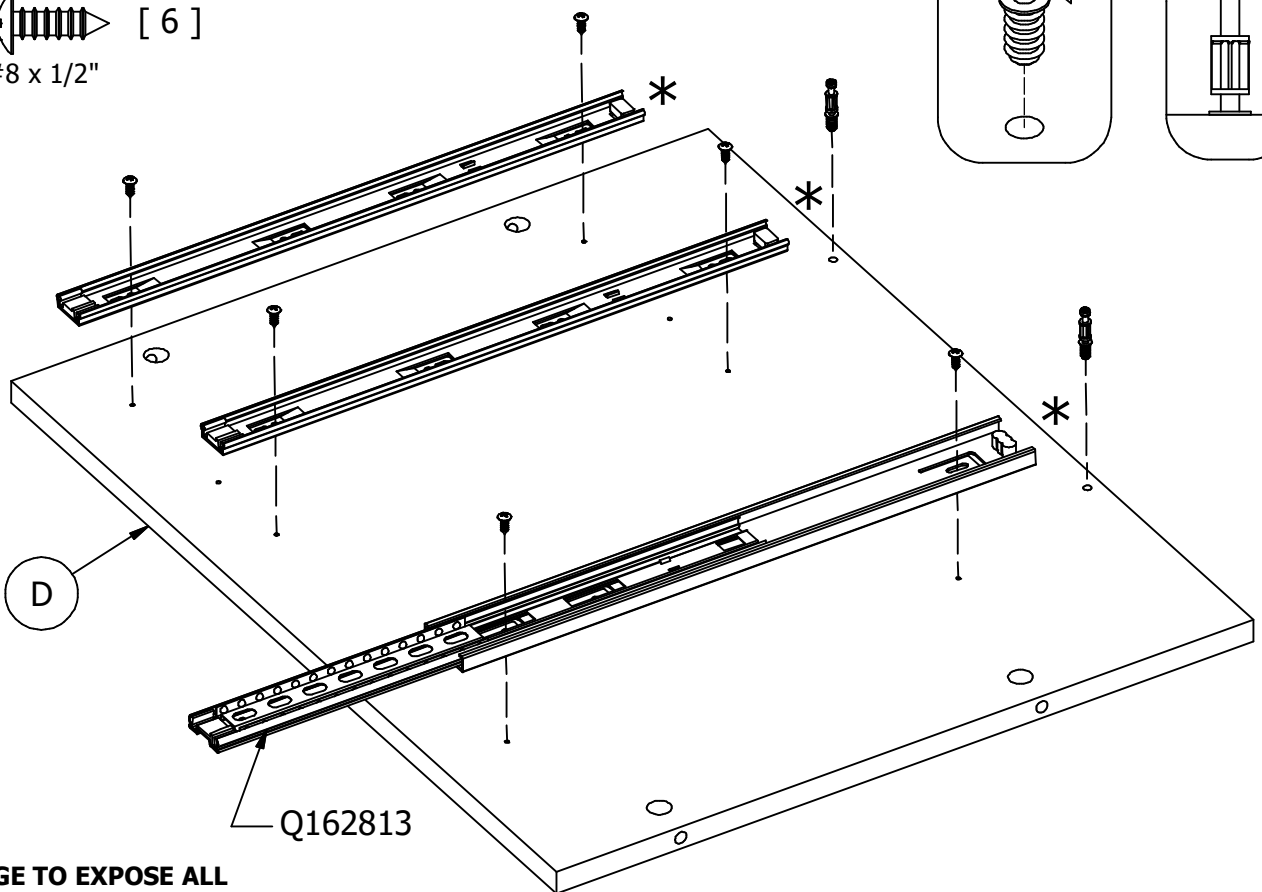
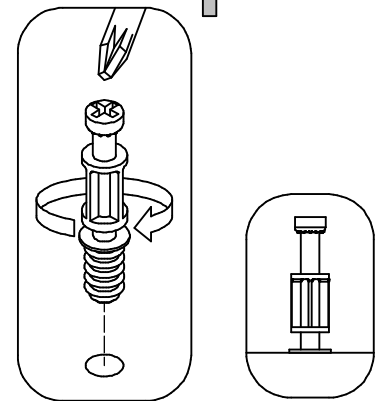
KD Bolt

H192100



[6]

#8 x 1/2"



Q162813

MOVE SLIDE CAGE TO EXPOSE ALL HOLE LOCATIONS

MUEVA LA JAULA DE DESLIZAMIENTO PARA EXPONER TODAS LAS ZONAS DEL AGUJERO
DÉPLACER LE JOINT DE DIAPORAMA POUR EXPOSER TOUTES LES LOCALISATIONS

Have an assembly question or need a replacement part? Just call
1-800-950-4782, we are here to help.

STEP 10

Attach Panel

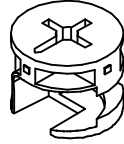
A179126D

Scan QR Code to Watch Video on:



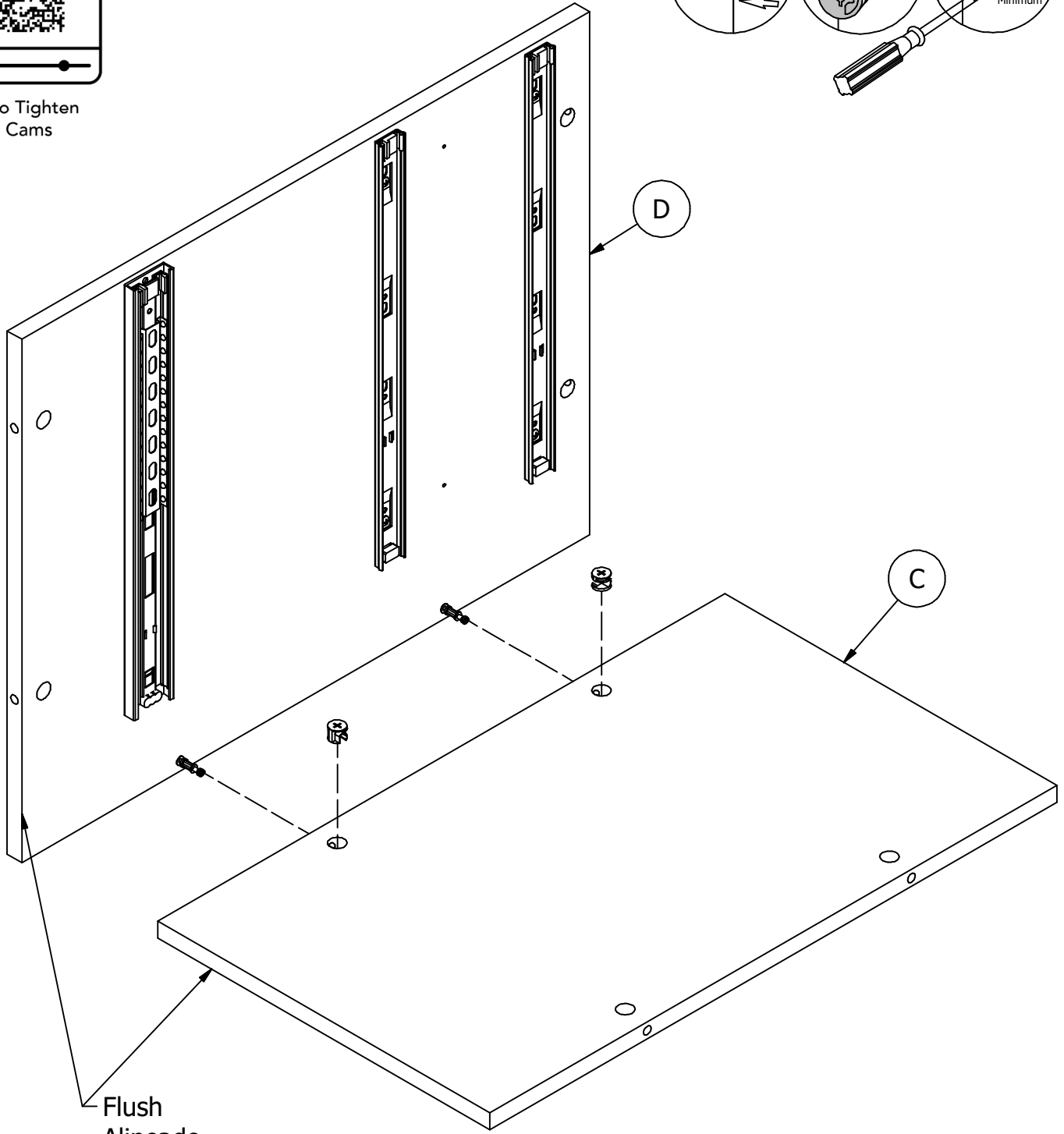
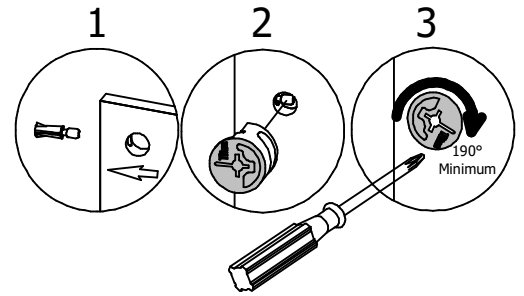
How to Tighten KD Cams

H71659



[2]

KD Cam



Flush
Alineado
Aligné

Have an assembly question or need a replacement part? Just call **1-800-950-4782**, we are here to help.

STEP 11

Prepare Panel

A179126D

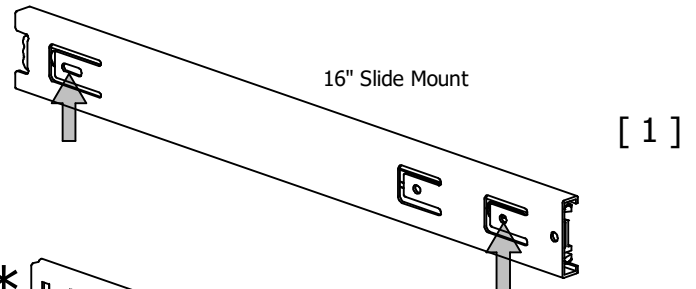
Scan QR Code to Watch Video on:



How to Separate and Install Drawer Slides

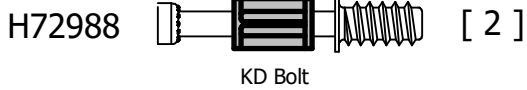
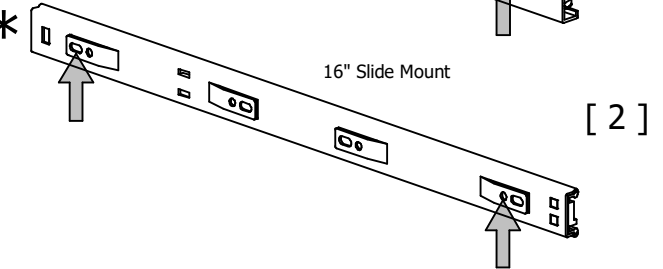
Orientation
Orientación
L'orientation

Q162813

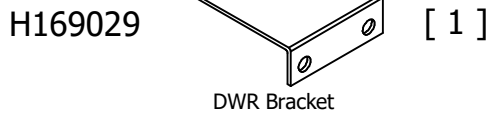


Orientation
Orientación
L'orientation

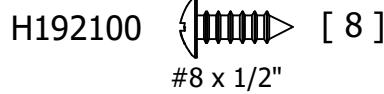
Q161948



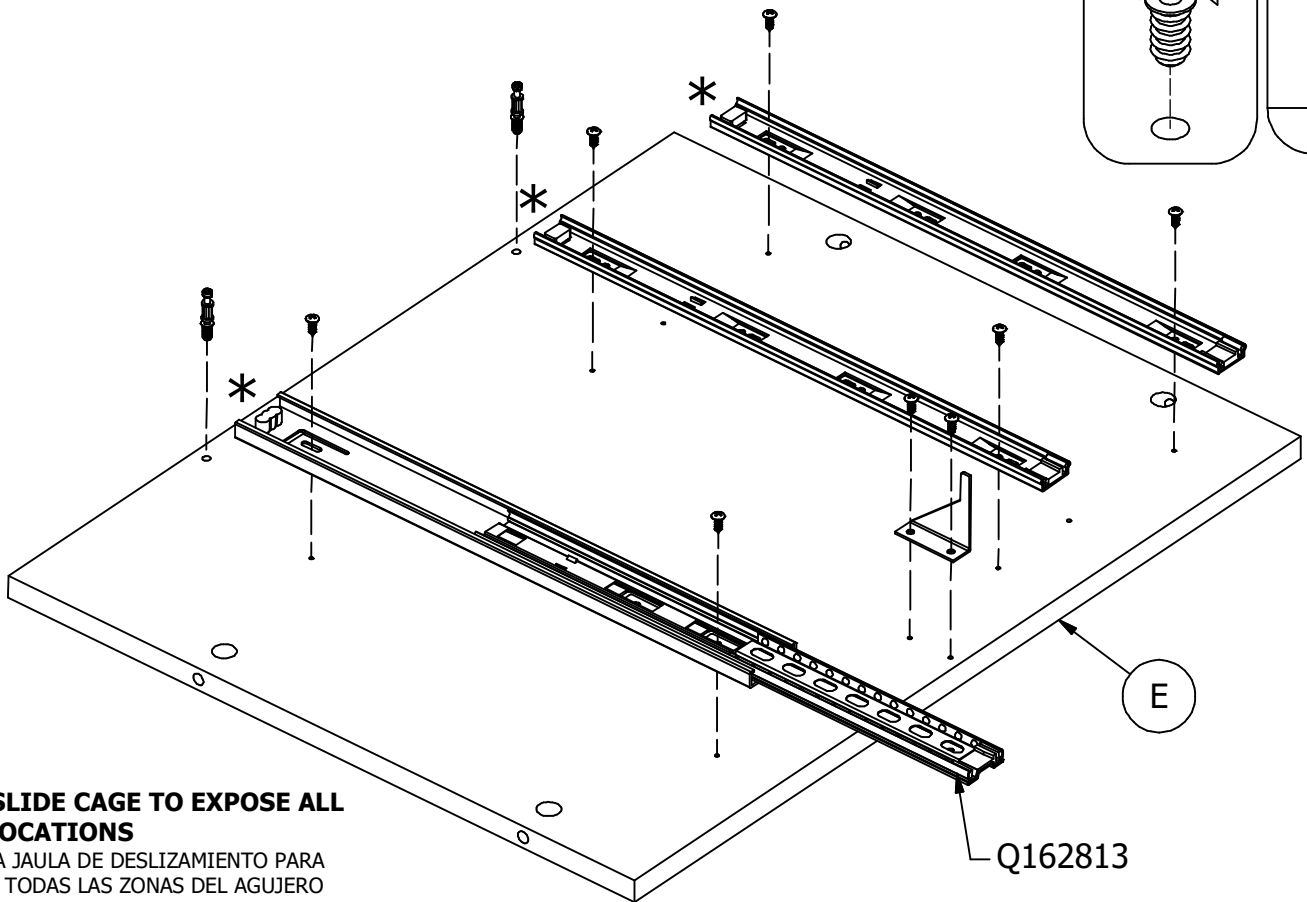
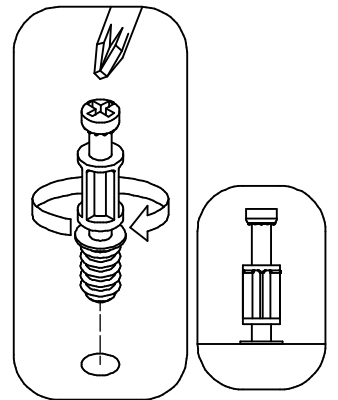
KD Bolt



DWR Bracket



#8 x 1/2"



MOVE SLIDE CAGE TO EXPOSE ALL HOLE LOCATIONS

MUEVA LA JAULA DE DESLIZAMIENTO PARA EXPONER TODAS LAS ZONAS DEL AGUJERO
DÉPLACER LE JOINT DE DIAPORAMA POUR EXPOSER TOUTES LES LOCALISATIONS

Have an assembly question or need a replacement part? Just call **1-800-950-4782**, we are here to help.

STEP 12

Attach Panel

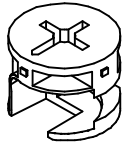
A179126D

Scan QR Code to Watch Video on:



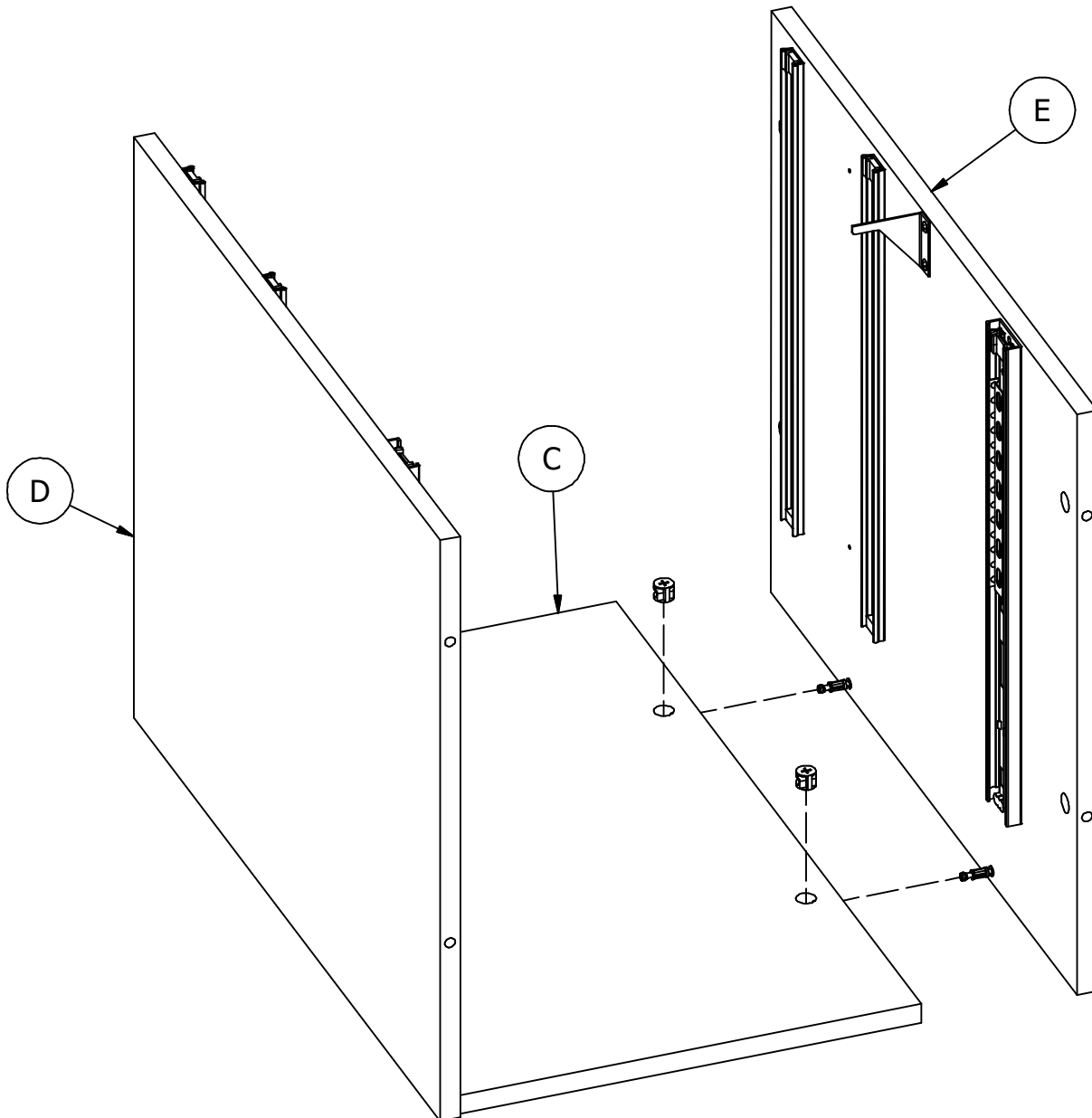
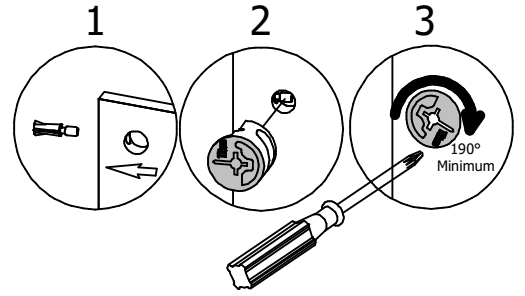
How to Tighten KD Cams

H71659



KD Cam

[2]



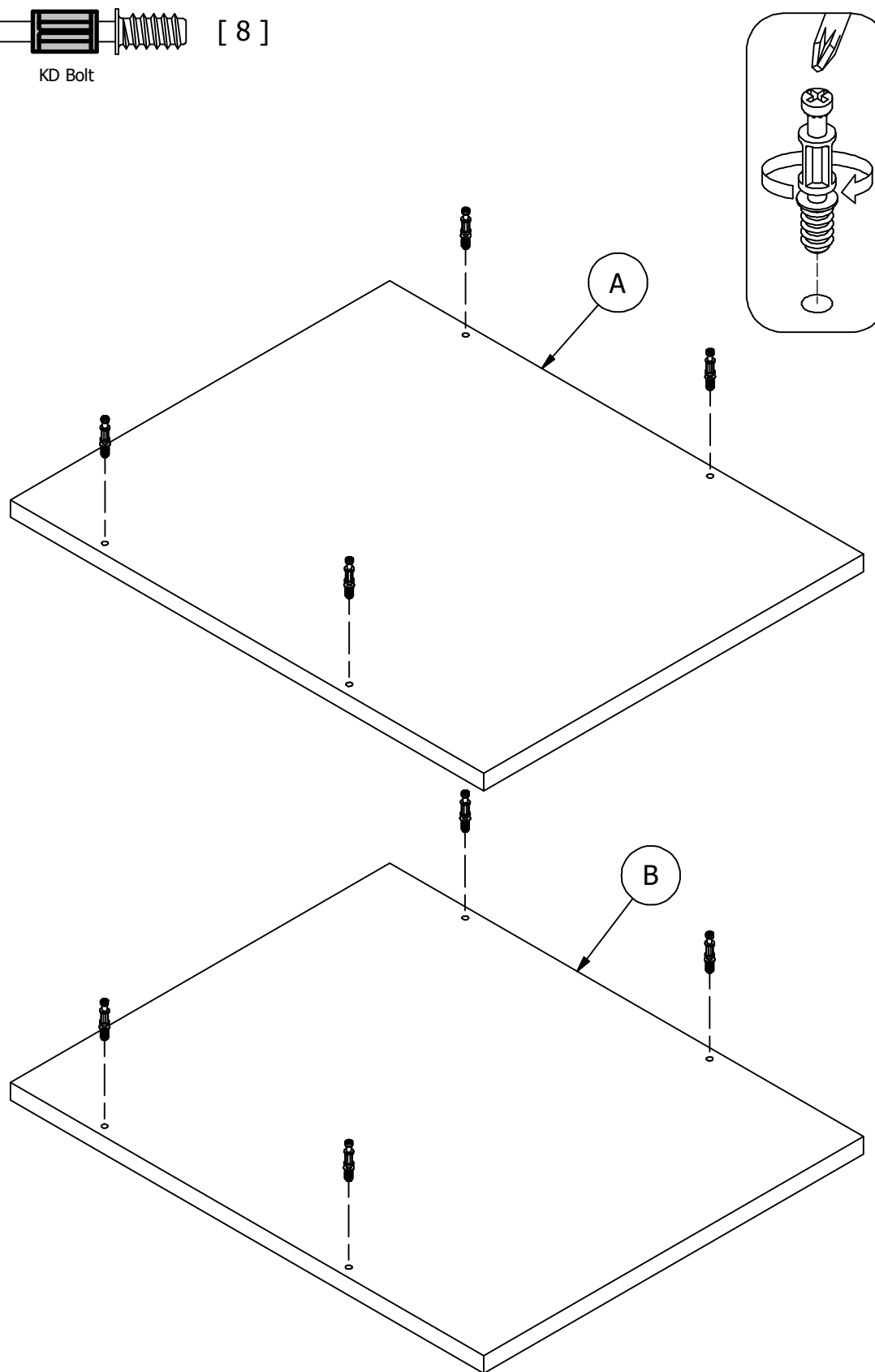
Have an assembly question or need a replacement part? Just call **1-800-950-4782**, we are here to help.

STEP 13

Prepare Panels

A179126D

H72988 [8]
KD Bolt



Have an assembly question or need a replacement part? Just call
1-800-950-4782, we are here to help.

STEP 14

Attach Panel

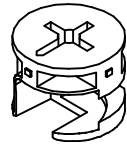
A179126D

Scan QR Code to Watch Video on:



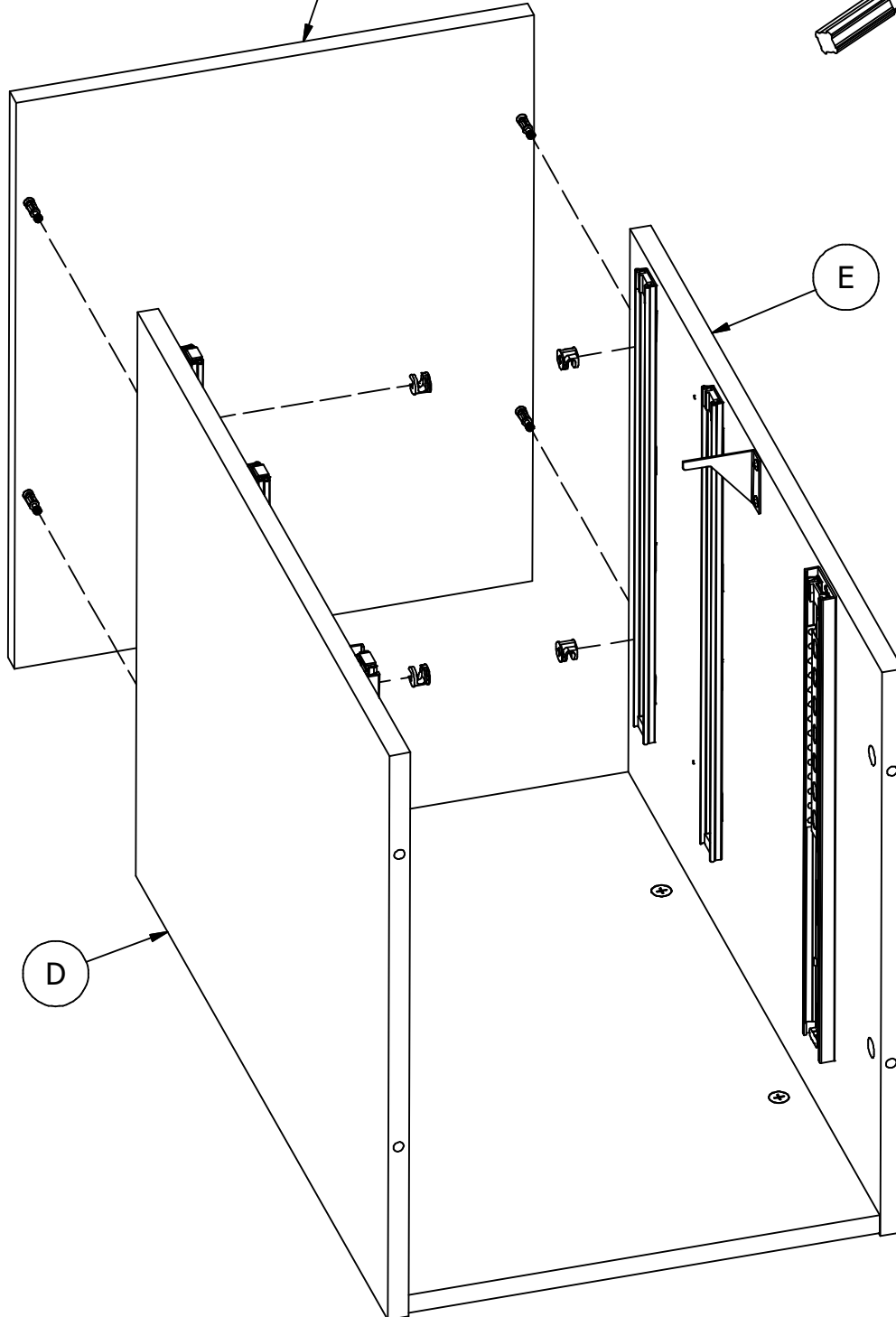
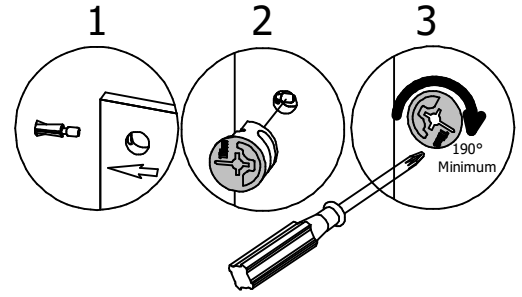
How to Tighten KD Cams

H71659



KD Cam

[4]



Have an assembly question or need a replacement part? Just call **1-800-950-4782**, we are here to help.

STEP 15

Attach Panel

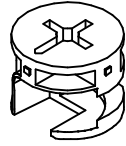
A179126D

Scan QR Code to
Watch Video on:



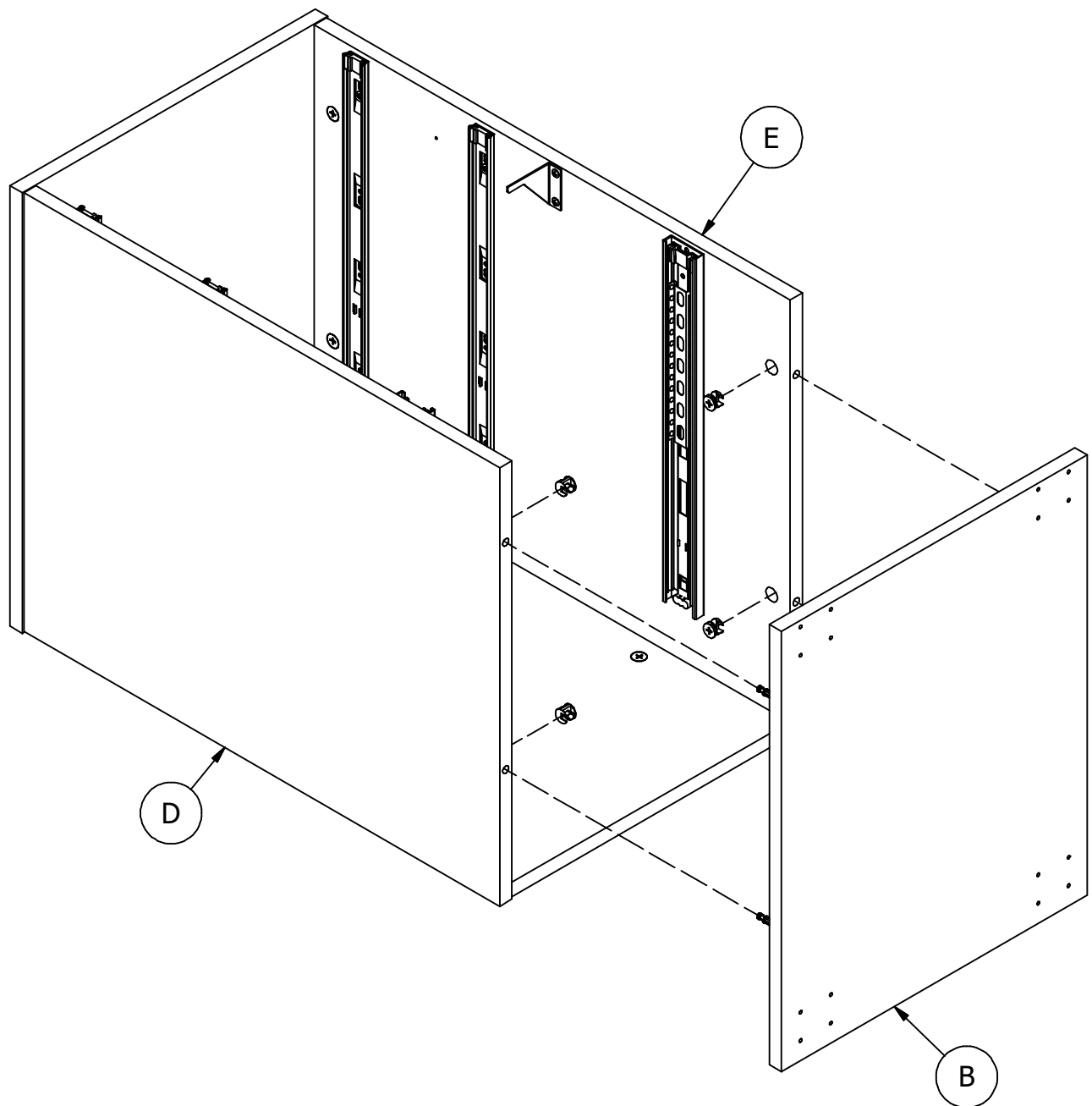
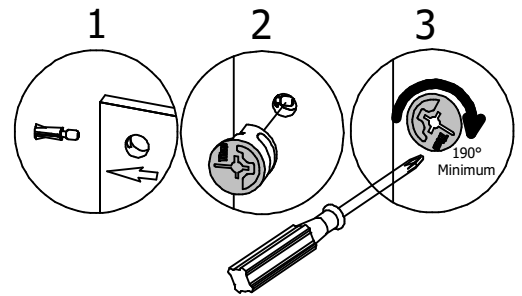
How to Tighten
KD Cams

H71659

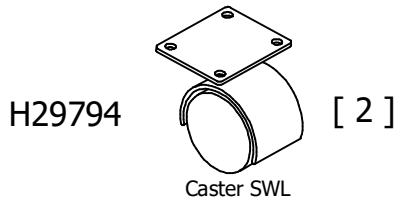


KD Cam

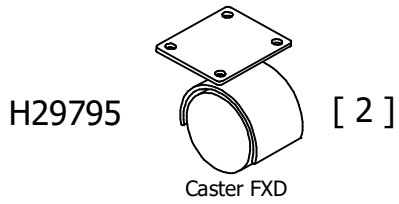
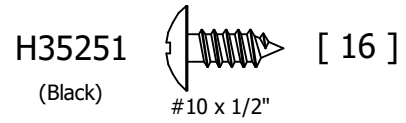
[4]



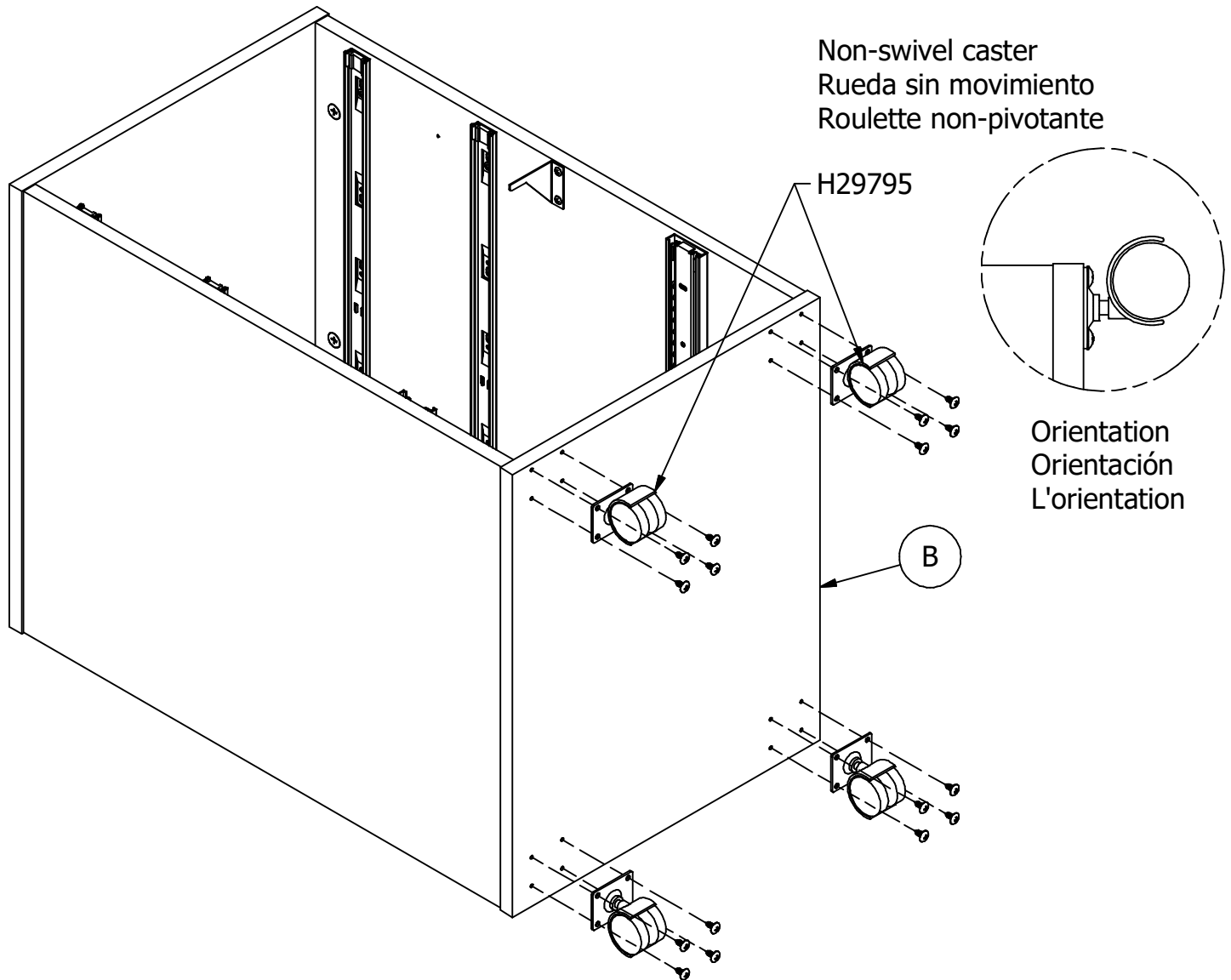
Have an assembly question or need a replacement part? Just call
1-800-950-4782, we are here to help.



Swivel Caster
Rueda movable
Roulette pivotante



Non-swivel caster
Rueda sin movimiento
Roulette non-pivotante

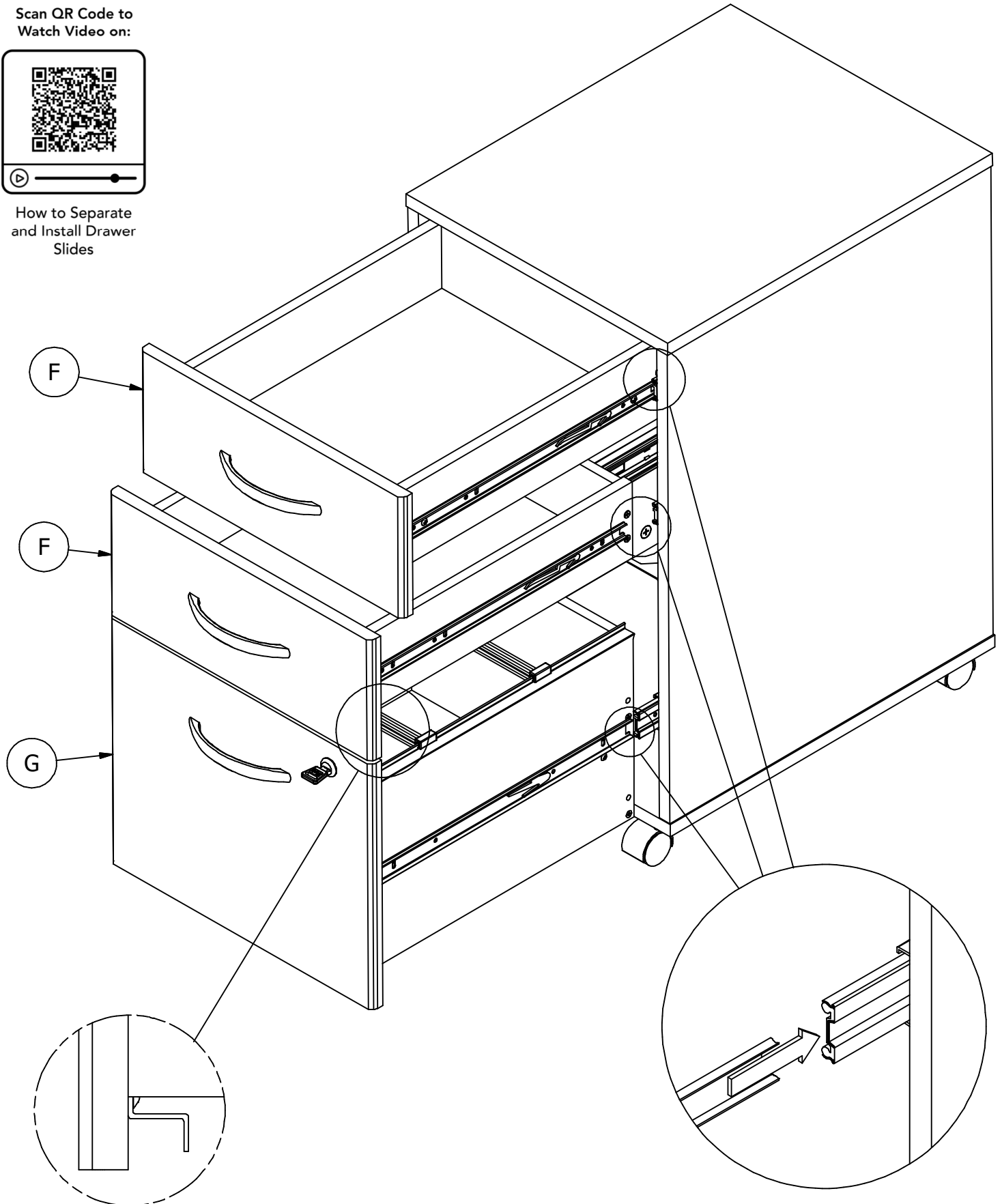


Have an assembly question or need a replacement part? Just call
1-800-950-4782, we are here to help.

Scan QR Code to
Watch Video on:



How to Separate
and Install Drawer
Slides



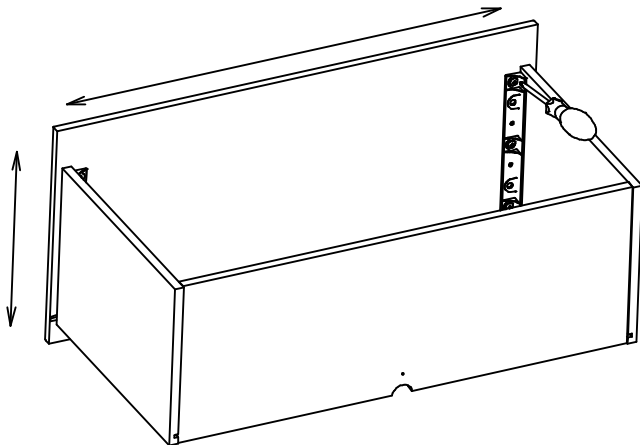
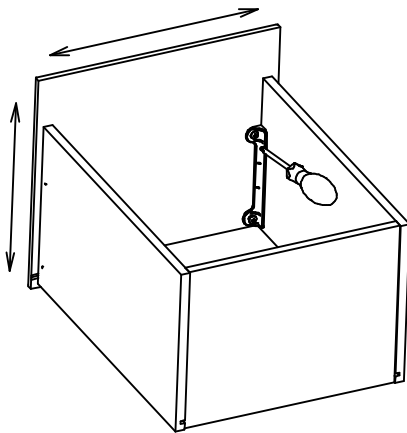
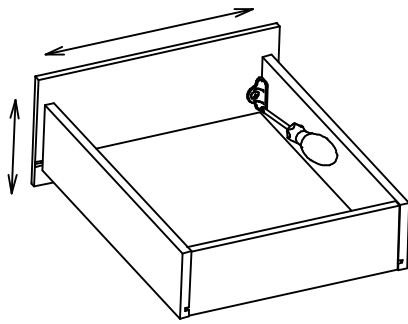
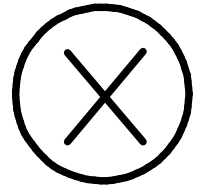
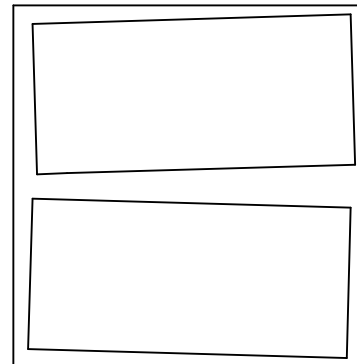
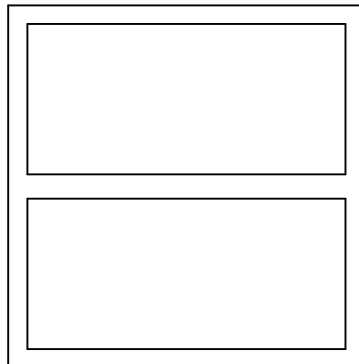
Have an assembly question or need a replacement part? Just call
1-800-950-4782, we are here to help.

Scan QR Code to Watch Video on:



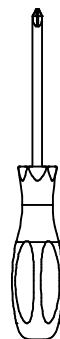
How to Adjust Drawer Fronts

DRAWER FRONT VIEW



REQUIRED TOOL: PHILLIPS SCREWDRIVER

HERRAMIENTA REQUERIDA: DESTORNILLADOR PHILLIPS
 OUTIL REQUIS: TOURNEVIS CRUCIFORME



1. LOOSEN SCREWS.
2. ADJUST DRAWER FRONTS.
3. TIGHTEN SCREWS.

1. Afloje los tornillos
2. Ajustar frentes de cajón
3. Apriete los tornillos

1. Desserrer les vis
2. Ajuster les façades des tiroirs
3. Serrer les vis

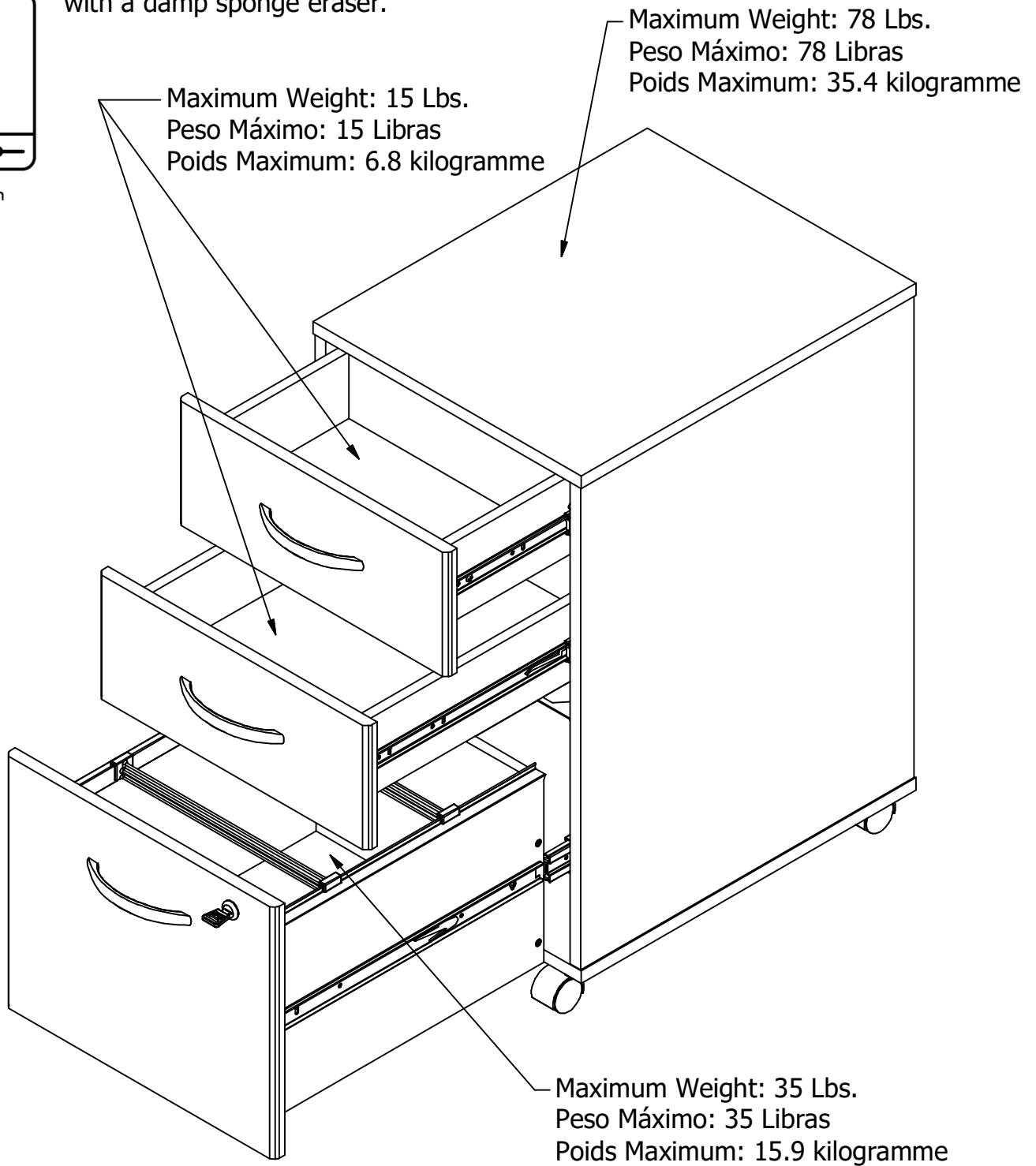
Have an assembly question or need a replacement part? Just call **1-800-950-4782**, we are here to help.

Scan QR Code to Watch Video on:



How to Clean the Surface

Gently clean surfaces with a damp sponge eraser.



Congratulations! You are all done. If you have any questions or concerns, please call.

Have an assembly question or need a replacement part? Just call **1-800-950-4782**, we are here to help.

WC12953

A [1] W176197
B [1] W176198
C [1] W176201
D [1] W194030
E [1] W194031
F [2] W128369
G [1] W128195
H [2] W192560
I [1] W192433
J [3] W87410
K [4] W192559
XX [2] W128623

WC14353P

A [1] W176202
B [1] W176203
C [1] W176206
D [1] W194032
E [1] W194033
F [2] W179051
G [1] W179058
H [2] W192560
I [1] W192433
J [3] W87410
K [4] W192559
XX [2] W128623

WC57453P

A [1] W176202
B [1] W176203
C [1] W176206
D [1] W194032
E [1] W194033
F [2] W179054
G [1] W179061
H [2] W192560
I [1] W192433
J [3] W87410
K [4] W192559
XX [2] W128623

WC84853P

A [1] W176202
B [1] W176203
C [1] W176206
D [1] W194032
E [1] W194033
F [2] W179056
G [1] W179063
H [2] W192560
I [1] W192433
J [3] W87410
K [4] W192559
XX [2] W128623

WC14553P

A [1] W176207
B [1] W176208
C [1] W176211
D [1] W194034
E [1] W194035
F [2] W179052
G [1] W179059
H [2] W192560
I [1] W192433
J [3] W87410
K [4] W192559
XX [2] W128623

WC24453

A [1] W176212
B [1] W176213
C [1] W176216
D [1] W194036
E [1] W194037
F [2] W122283
G [1] W122286
H [2] W192560
I [1] W192433
J [3] W87410
K [4] W192559
XX [2] W128623

WC48553

A [1] W176212
B [1] W176213
C [1] W176216
D [1] W194036
E [1] W194037
F [2] W122937
G [1] W122936
H [2] W192560
I [1] W192433
J [3] W87410
K [4] W192559
XX [2] W128623

WC72453

A [1] W176212
B [1] W176213
C [1] W176216
D [1] W194036
E [1] W194037
F [2] W122973
G [1] W122972
H [2] W192560
I [1] W192433
J [3] W87410
K [4] W192559
XX [2] W128623

WC24553

A [1] W176242
B [1] W176243
C [1] W176246
D [1] W194038
E [1] W194039
F [2] W122283
G [1] W122286
H [2] W192560
I [1] W192433
J [3] W87410
K [4] W192559
XX [2] W128623

WC36753

A [1] W176222
B [1] W176223
C [1] W176226
D [1] W194240
E [1] W194241
F [2] W128373
G [1] W128204
H [2] W192560
I [1] W192433
J [3] W87410
K [4] W192559
XX [2] W128623

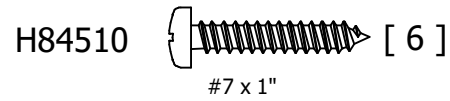
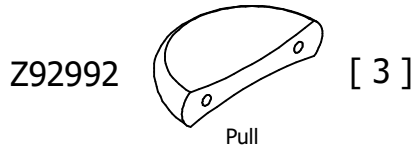
WC60353

A [1] W176227
B [1] W176228
C [1] W176231
D [1] W194040
E [1] W194041
F [2] W128365
G [1] W128213
H [2] W192560
I [1] W192433
J [3] W87410
K [4] W192559
XX [2] W128623

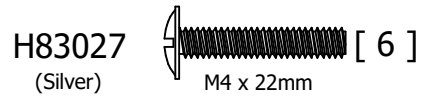
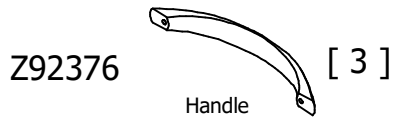
WC94453P

A [1] W176247
B [1] W176248
C [1] W176251
D [1] W194042
E [1] W194043
F [2] W179057
G [1] W179064
H [2] W192560
I [1] W192433
J [3] W87410
K [4] W192559
XX [2] W128623

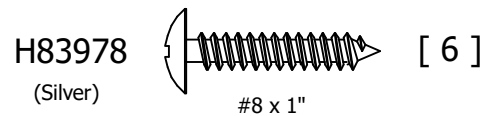
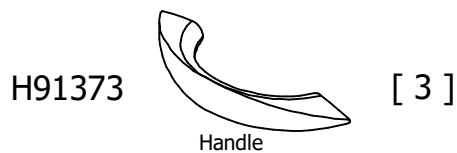
WC57453P



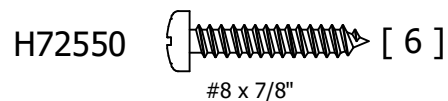
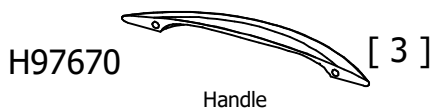
WC24453, WC24553, WC48553, WC72453



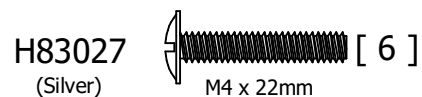
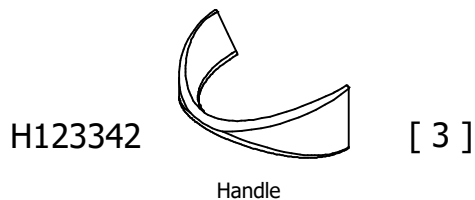
WC14553P



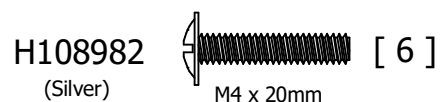
WC84853P, WC94453P



WC14353P



WC12953, WC36753, WC60353



Have an assembly question or need a replacement part? Just call
1-800-950-4782, we are here to help.