

# ***PNEUMATIC ROLLING SHOP STOOL***

Item Number W85008

## **OWNER'S MANUAL**



*Performance Tool*®

**▲WARNING:** READ, UNDERSTAND AND FOLLOW ALL INSTRUCTIONS AND WARNINGS BEFORE OPERATING THIS TOOL. FAILURE TO DO SO MAY RESULT IN PERSONAL INJURY AND/OR PROPERTY DAMAGE AND WILL VOID WARRANTY.

**PT**<sup>®</sup>  
Performance Tool

## SPECIFICATIONS:

Capacity:..... 300 lbs.  
Tool Tray: ..... 15 in. diameter x 7/8 in. deep  
Ram Extension: ..... 7 in.  
Casters: ..... 2-1/2 in.  
Seat: ..... 12 in. diameter x 1-5/8 in. deep

**Specifications are subject to change without notice.**

## SAFETY GUIDELINES / DEFINITIONS

*This instruction manual is intended for your benefit. Please read and follow the safety, installation, maintenance and troubleshooting steps described within to ensure your safety and satisfaction. The contents of this instruction manual are based upon the latest product information available at the time of publication. The manufacturer reserves the right to make product changes at any time without notice.*

**▲WARNING:** Read and understand this entire instruction manual before attempting to assemble, install, operate or maintain this product. Failure to comply with the instructions may result in serious personal injury and/or property damage!

**The following signal words are used to emphasize safety warnings that must be followed when using this product:**

**▲DANGER:** Indicates an imminently hazardous situation that, if not avoided, WILL result in death or serious injury.

**▲CAUTION:** Indicates a potentially hazardous situation that, if not avoided, MAY result in minor or moderate injury.

**▲WARNING:** Indicates a potentially hazardous situation that, if not avoided, COULD result in death or serious injury.

**▲NOTE:** Indicates important information, which if not followed, MAY cause damage to equipment.

## UNPACKING AND INSPECTION

After opening the box, unpack your stool and related parts & accessories. Please inspect it carefully for any damage that may have occurred during transit and check it against the photograph on box. If any parts are missing, call customer service at 1-800-426-1262 between 6 a.m. and 5 p.m. Pacific time.

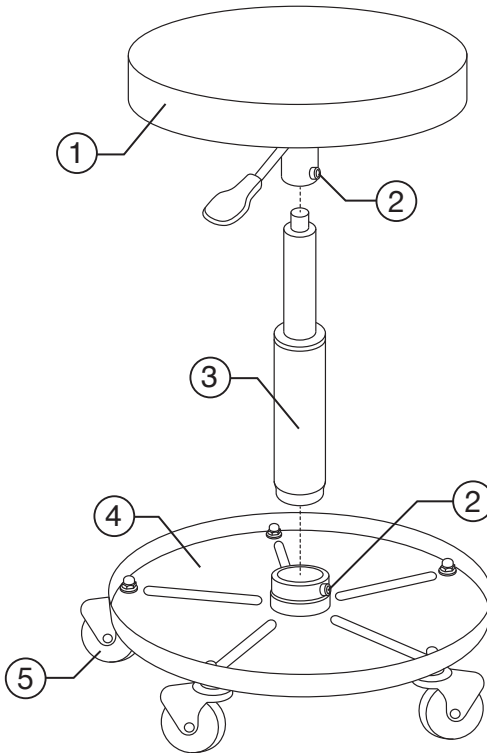
**▲WARNING DO NOT** operate this stool if damaged during shipment, handling or misuse. Do not operate the stool until the parts have been replaced or the fault rectified. Failure to do so may result in serious personal injury or property damage. All damaged parts must be repaired or replaced as needed prior to operating this stool. Check to see that all nuts, bolts and fittings are secure before putting this stool into service. If you have any questions, or require assistance with damaged or missing parts, contact our factory customer service department at: 1-800-426-1262. Please be sure to have the serial number, model number, and date of purchase available for reference when calling.

**▲WARNING. READ, UNDERSTAND AND FOLLOW ALL INSTRUCTIONS AND WARNINGS BEFORE OPERATING THIS PRODUCT. FAILURE TO DO SO MAY RESULT IN FIRE, ELECTRICAL SHOCK, PERSONAL INJURY AND/OR PROPERTY DAMAGE AND WILL VOID WARRANTY.**

1. DO NOT exceed rated capacity. Overloading the stool can cause damage to or failure of the stool.
2. Use only on hard, level surface capable of sustaining the load. Use of stool on other than hard level surfaces can result in stool instability.
3. DO NOT stand on stool. Serious injury can result if the tool tips over or you accidentally come in contact with the stool.
4. DO NOT expose to heat. Parts of the unit are under pressure.
5. Do not alter this product in any way.
6. Keep your work area clean and well lit. Cluttered work areas invite accidents.
7. Keep bystanders, children, and visitors away while operating stool. Distractions can cause you to lose control.
8. Stay alert. Watch what you are doing, and use common sense when operating a stool. Do not use a stool while tired or under the influence of drugs, alcohol or medication. A moment of inattention while operating stool may result in serious personal injury.
9. Store idle stool out of reach of children and other untrained persons. Stools are dangerous in the hands of untrained users.
10. Stool service must be performed only by qualified repair personnel. Service or maintenance performed by unqualified personnel could result in a risk of injury.
11. When servicing a stool, use only identical replacement parts - refer to attached, product-specific parts list and diagram. Follow instructions in the Care & Maintenance section of this manual. Use of unauthorized parts or failure to follow maintenance instructions may create a risk of injury and may void any applicable warranty.
12. Maintain labels and nameplates on the stool. These carry important information. If unreadable or missing, contact Performance Tool for a replacement.
13. The warnings, precautions, and instructions discussed in this manual cannot cover all possible conditions and situations that may occur. The operator must understand that common sense and caution are factors, which cannot be built into this product, but must be supplied by the operator.

## CONTENTS

No.	Description	Qty.	No.	Description	Qty.
1	Padded Seat/Lifting Lever ..	1	4	Tool Tray.....	1
2	Fasteners .....	2	5	Casters (attached).....	5
3	Pneumatic Cylinder.....	1			



## TOOLS REQUIRED

1. Adjustable wrench
2. Slotted screwdriver
3. Hammer and block of wood or rubber mallet

## ASSEMBLY INSTRUCTIONS

1. Loosen both Fasteners (2).
2. Make sure the tray is on a firm surface with the wheels down. Insert the Pneumatic Cylinder (3) into the Tool Tray hole (4). The larger end of the Pneumatic Cylinder is the end that inserts into the tool tray hole. It might be necessary to seat the Pneumatic Cylinder. Do this by holding a block of wood over the top of the Pneumatic Cylinder and gently tapping with a hammer to seat the Pneumatic Cylinder. NOTE: It might be easier to position the Tool Tray, wheels down, on the grass or a surface that is not smooth.
3. Attach the Seat (1) to the top of the Pneumatic Cylinder (3).
4. Make sure both Fasteners are tightened (2). **NOTE:** It is recommended you take the time to make sure that the Caster Wheels (5) are tight.

# OPERATION

## TO RAISE SEAT:

Stand next to stool. Lift handle, and release when seat is at the desired height.

## TO LOWER SEAT:

Sit on the stool. Lift handle, and release when the seat is at the desired height.

### 1 YEAR LIMITED WARRANTY

PERFORMANCE TOOL® extends only the following warranties, and only to original retail purchasers. These warranties give specific legal rights. Except where prohibited by local law, the law of the State of Washington governs all warranties and all exclusions and limitations of warranties and remedies. There may be other rights which vary from state to state.

PERFORMANCE TOOL® warrants the product to be free from defects in materials and workmanship under normal use and service. A defective product may be returned for a free replacement within 90 days from the date of purchase, provided that product is returned to place of purchase immediately after discovery of defect. After 90 days and up to one year from date of purchase, PERFORMANCE TOOL® will replace at no charge any parts which our examination shall disclose to be defective and under warranty. These warranties shall be valid only when a sales receipt showing the date of purchase accompanies the defective product or defective part (s) being returned. For part (s) after 90 days, please remit your request, postage prepaid to:

PERFORMANCE TOOL, P.O. Box 88259 Tukwila, WA 98138

These warranties exclude blades, bits, punches, dies, bulbs, fuses, hoses, and other consumables which must be replaced under normal use and service. These warranties shall not apply to any product or part which is used for a purpose for which it is not designed, or which has been repaired or altered in any way so as to affect adversely its performance or reliability, nor shall these warranties apply to any product or part which has been subject to misuse, neglect, accident or wear and tear incident to normal use and service.

PERFORMANCE TOOL® does not authorize any other person to make any warranty or to assume any liability in connection with its products.

Except for warranties of title and the limited express warranties set forth above, PERFORMANCE TOOL® makes no express or implied warranties of any kind with respect to its products. In particular, PERFORMANCE TOOL® makes no implied warranty of merchantability and no implied warranty of fitness for any particular purpose, except that for goods purchased primarily for personal, family or household use and not for commercial or business use, PERFORMANCE TOOL® makes an implied warranty of merchantability (and, if otherwise applicable, an implied warranty of fitness for a particular purpose), but only for the particular qualities or characteristics, and for the duration, expressly warranted above.

The laws on limitation of implied warranties may differ from state to state, so the above limitations may not apply in all cases.

PERFORMANCE TOOL® shall not be liable for consequential, incidental or special damages resulting from or in any manner related to any product, or to the design, use, or any inability to use the product. The sole and exclusive remedy for a defective product or part shall be the repair, or replacement thereof as provided above. The laws on limitation of remedies or on consequential, incidental or special damages may vary from state to state, so the above limitations may not apply in all cases.