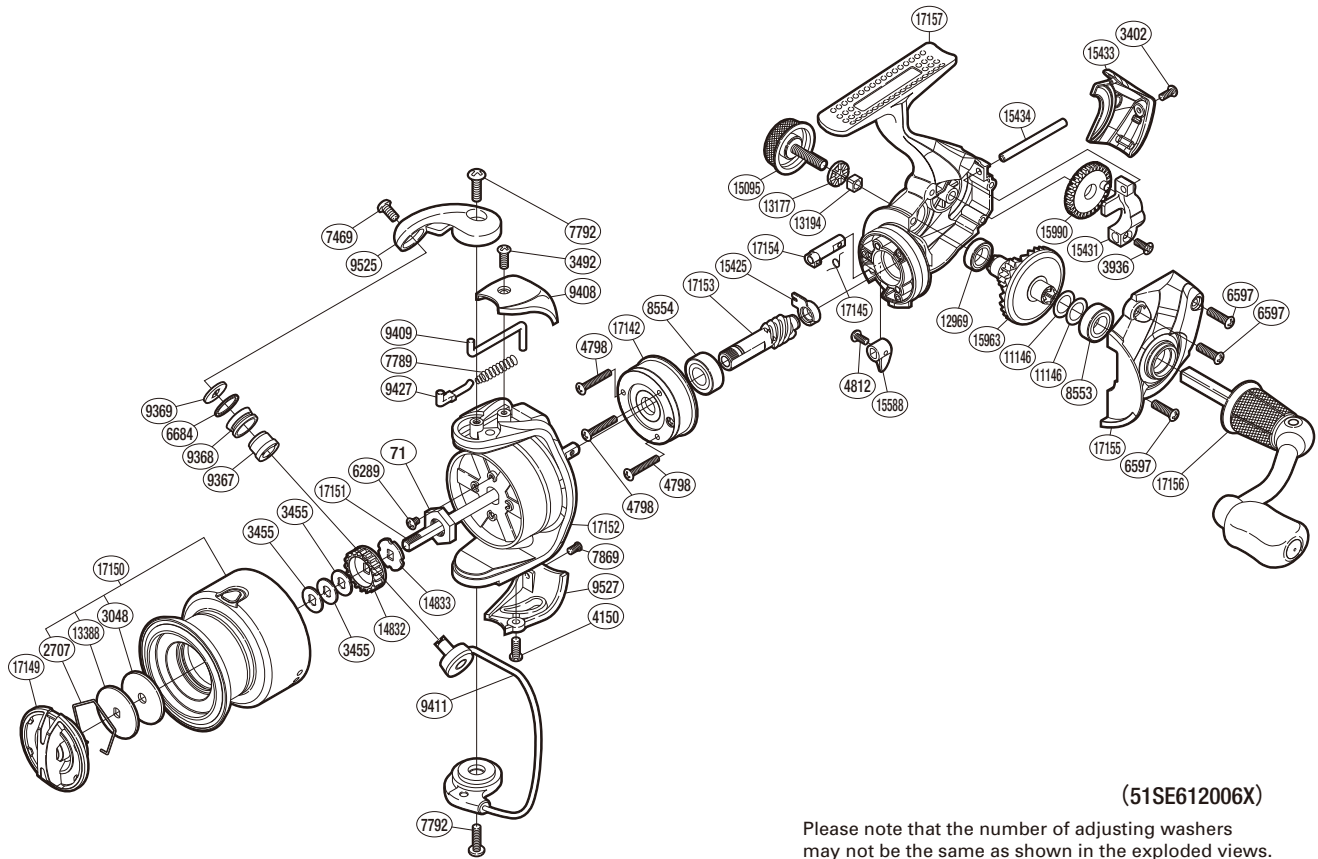


SHIMANO

SEDONA

SE-2000FE



(51SE612006X)

Please note that the number of adjusting washers may not be the same as shown in the exploded views. (Adjustment will vary with each individual product.)

Part No.	Description	Part No.	Description	Part No.	Description
RD 0071	Rotor Nut	RD 8554	Ball Bearing	RD15425	Pinion Gear Bushing
RD 2707	Drag Washers Retainer	RD 9367	Line Roller Bushing	RD15431	Oscillating Slider
RD 3048	Drag Washer	RD 9368	Line Roller	RD15433	Rear Protector
RD 3402	Screw	RD 9369	Line Roller Washer	RD15434	Oscillating Guide
RD 3455	Spool Washer	RD 9408	Bail Spring Cover	RD15588	Anti-Reverse Lever
RD 3492	Screw	RD 9409	Bail Trip Lever	RD15963	Drive Gear
RD 3936	Screw	RD 9411	Bail Assembly	RD15990	Oscillating Gear
RD 4150	Screw	RD 9427	Bail Spring Guide	RD17142	Roller Clutch Assembly
RD 4798	Screw	RD 9525	Bail Arm	RD17145	Anti-Reverse Cam Spring
RD 4812	Screw	RD 9527	Bail Hold Support Guard	RD17149	Drag Knob
RD 6289	Screw	RD11146	Washer	RD17150	Spool Assembly
RD 6597	Screw	RD12969	Ball Bearing	RD17151	Main Shaft
RD 6684	Line Roller Spacer	RD13177	Handle Screw Cap Spacer	RD17152	Rotor
RD 7469	Screw	RD13194	Handle Screw Lock	RD17153	Pinion Gear
RD 7789	Bail Spring	RD13388	Key Washer	RD17154	Anti-Reverse Cam
RD 7792	Screw	RD14832	Spool Support A	RD17155	Side Cover
RD 7869	Screw	RD14833	Spool Support B	RD17156	Handle Assembly
RD 8553	Ball Bearing	RD15095	Handle Screw Cap	RD17157	Body