

Installation Instructions

Installation Instructions

Record your model number:

Noter le numéro de modèle:

Anote su número de modelo: _____

Français, page 7

Español, página 13

KOHLER®

Thank You for Choosing KOHLER

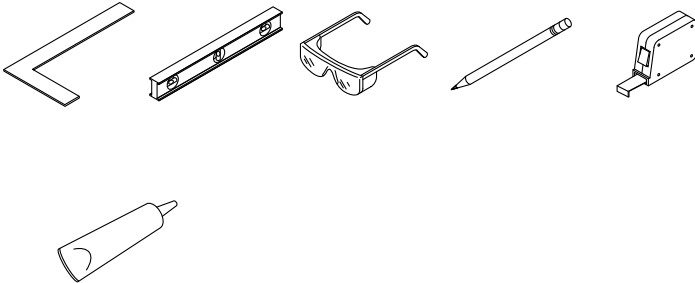
Need help? Contact our Customer Care Center.

- USA/Canada: 1-800-4KOHLER (1-800-456-4537) Mexico: 001-800-456-4537
- Service parts: [kohler.com/serviceparts](https://www.kohler.com/serviceparts)
- Care and cleaning: [kohler.com/clean](https://www.kohler.com/clean)
- Patents: [kohlercompany.com/patents](https://www.kohlercompany.com/patents)

Warranty

This product is covered under the **KOHLER® Enameled Cast Iron Bath and Shower Base Lifetime Limited Warranty**, found at [kohler.com/warranty](https://www.kohler.com/warranty). For a hardcopy of warranty terms, contact the Customer Care Center.

Tools and Materials



100% Silicone Sealant

Plus:

- Common Woodworking Tools and Materials
- Drop Cloth
- Furring Strips
- Metal Shims

Before You Begin



CAUTION: Risk of personal injury or product damage. Cast iron products are very heavy. Do not drop from any height. Get help lifting.



CAUTION: Risk of product damage. Do not drill into the enameled surface of the shower base.

IMPORTANT! Prior to installation remove all stickers and tape, and inspect the entire shower base. If there is any damage, do not install. Contact the Customer Care Center.

IMPORTANT! Install indoors only. Exposure to outdoor elements may degrade the product.

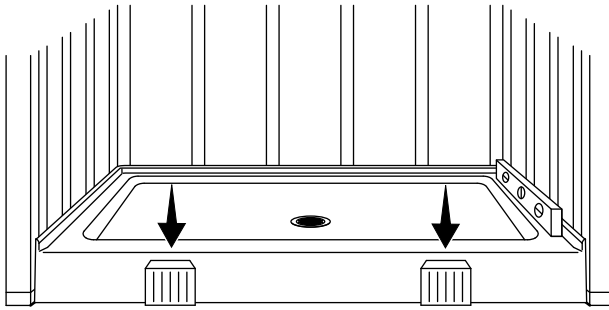
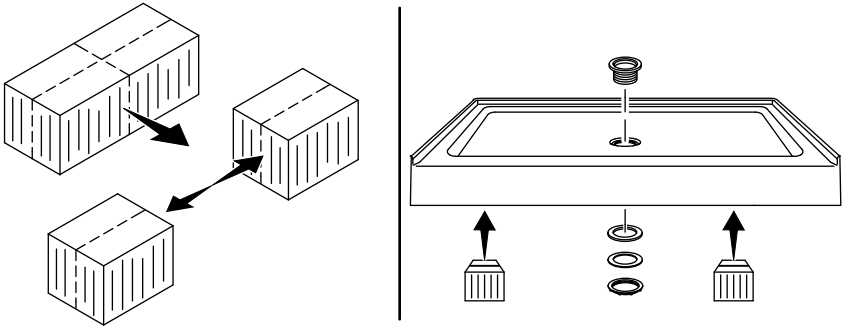
IMPORTANT! If welding is required, protect the shower base surface to prevent the deposit of metallic particulates as this may result in surface rusting once oxidized.

IMPORTANT! Construct a level subfloor that will adequately support the shower base. Do not support the shower base by the rim.

Follow all local plumbing and building codes.

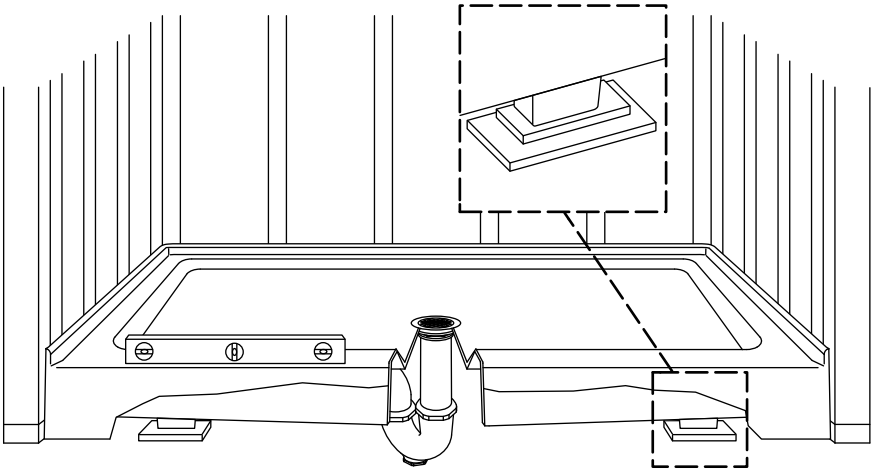
Your product may appear different than the one illustrated. The installation procedure is the same.

Position the Shower Base



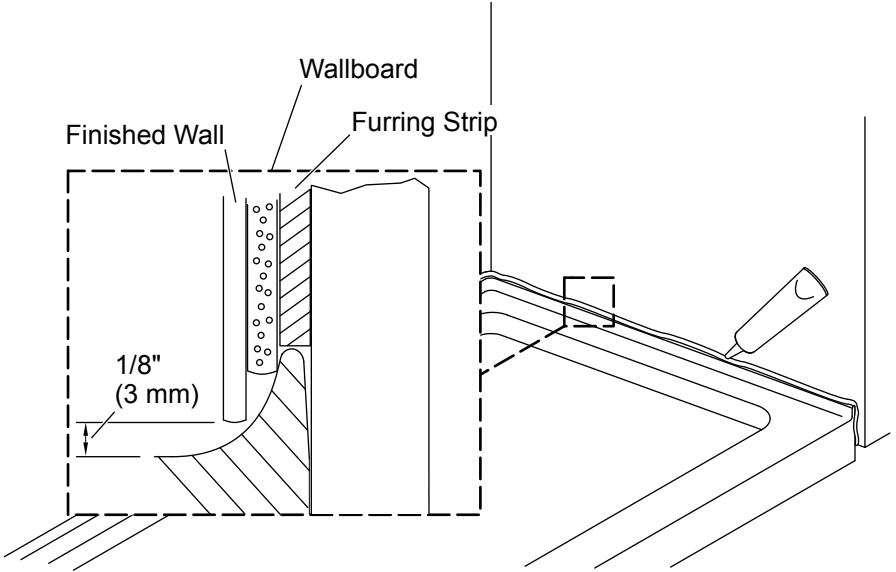
- Measure the shower base and construct a plumb stud pocket.
- Install the rough plumbing.
- Remove the cardboard installation block from the packed shower base and separate into two pieces.
- Install the drain to the shower base. Ensure a watertight seal. Push the two cardboard installation blocks onto the edge of the shower base.
- Position the shower base. **Do not drop the shower base.** Verify that the shower base is level and fully supported by the subfloor.
- Push down on the front of the shower base. The installation blocks will be cut and the shower base will rest flat on the floor.

Install the Drain



- Discard the exterior cut-off blocks. Verify that the shower base is level and fully supported by the subfloor.
- Use metal shims to level as needed.
- Clean the shower base and cover with a drop cloth. Connect the drain pipe.

Complete the Installation



- Use furring strips to make the framing flush with the flanges.
- Install water-resistant wallboard.
- Install the finished wall to within 1/8" (3 mm) of the rim.
- Apply 100% silicone sealant around the shower base where it contacts the finished walls.
- Install the finished floor. Apply 100% silicone sealant along the floor seam.