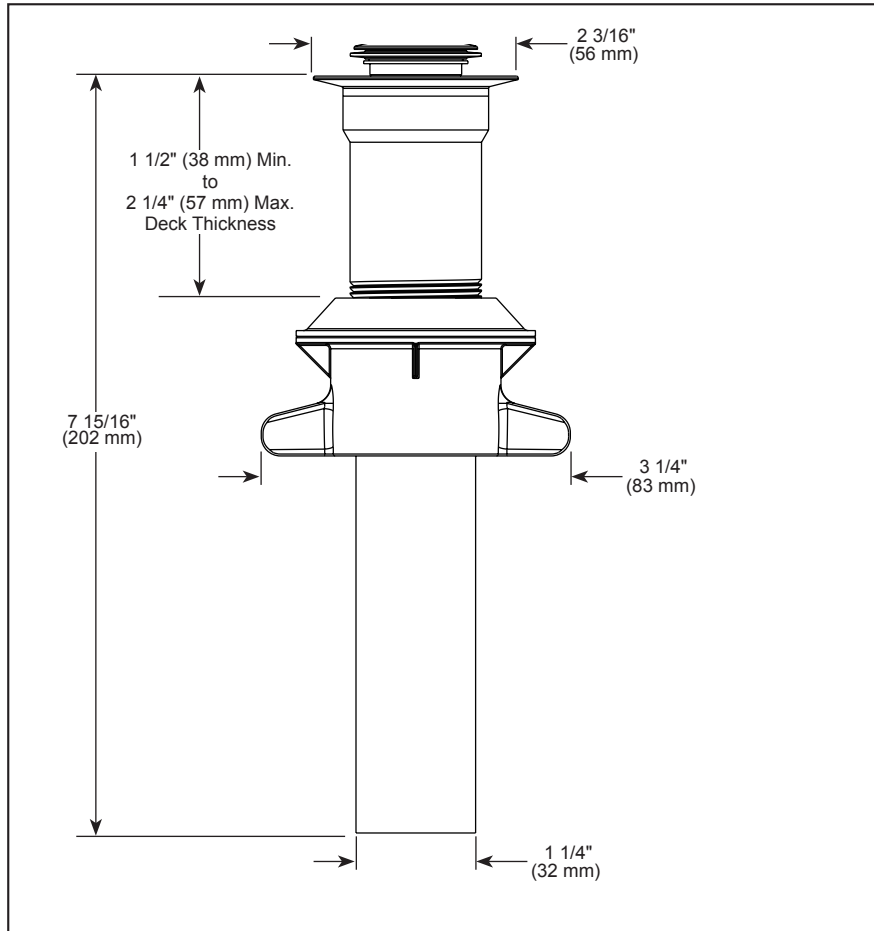


Submitted Model No.: _____

Specific Features: _____



▲ Designate Proper Finish Suffix



see what Delta can do™

PUSH POP ASSEMBLY

- Push Pop Assembly Less Overflow Holes

STANDARD SPECIFICATIONS:

- All metal construction push pop
- Tailpiece stainless steel for all finishes
- For use with sink without overflow

WARRANTY

- Parts and Finish - Lifetime limited warranty; or for commercial purchasers, 10 years for multi-family residential (apartments and condominiums) and 5 years for all other commercial uses, in each case from the date of purchase.
- Electronic Parts and Batteries (if applicable) - 5 years from the date of purchase; or for commercial purchasers, 1 year from the date of purchase. No warranty is provided on batteries.

COMPLIES WITH:

- ASME A112.18.2 / CSA B125.2

♿ Indicates compliance to
ICC / ANSI A117.1