

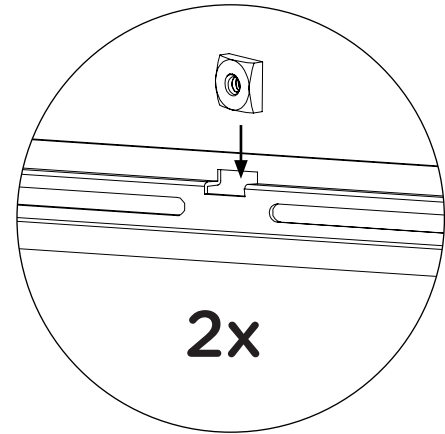
Vertical Rail Installation

Each CarePod[™] features two preinstalled vertical rails. To install additional vertical rails (needed for the use of optional accessories like CarePod mini shelves or retaining bars), follow the steps below.

Step 1 - Insert Square Nut into Track

Locate a notch in the top lip of the CarePod horizontal track. Insert one (1) square nut (provided) into the track and position by sliding left or right to desired location.

Repeat with one (1) square nut on the bottom horizontal track.



Step 2 - Secure with Screws

Using a Phillips screw driver, attach the vertical rail to the nuts with the provided screws.

