

HDMI eARC & S/PDIF Audio Extender (100m)



User Manual

VER 1.0

Thank you for purchasing this product

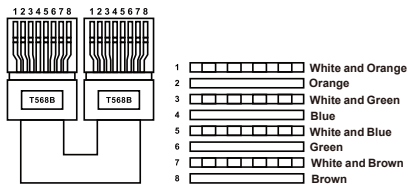
For optimum performance and safety, please read these instructions carefully before connecting, operating or adjusting this product. Please keep this manual for future reference.

Surge protection device recommended

This product contains sensitive electrical components that may be damaged by electrical spikes, surges, electric shock, lightning strikes, etc. Use of surge protection systems is highly recommended in order to protect and extend the life of your equipment.

Caution

The product requires the use of UTP connectors. Please connect in direct interconnection method and do not cross connect.



Direct Interconnection Method

Table of Contents

1. Introduction.....	1
2. Features.....	1
3. Package Contents.....	2
4. Specifications.....	2
5. Operation Controls and Functions.....	3
5.1 Transmitter Panel.....	3
5.2 Receiver Panel.....	4
6. Application Example.....	5

1. Introduction

This Audio Extender can transmit both HDMI eARC and S/PDIF audio signals over a single CAT cable. The transmission distance is up to 100m/328ft. It supports CEC pass-through between HDMI eARC input port and eARC output port to handshake for eARC transmission. For TVs without HDMI eARC function, the extender provides an independent S/PDIF audio pass-through channel to transmit S/PDIF audio from the S/PDIF IN port of the transmitter to the S/PDIF OUT port of the receiver.

This is a fantastic plug and play solution for sending HDMI eARC and S/PDIF audio from an HDTV back to an amplifier, AVR or multi-room audio system.

2. Features

- ☆ Extend HDMI eARC or S/PDIF audio signal up to 100m/328ft over a single CAT cable
- ☆ Support CEC pass-through when HDMI eARC mode is enabled
- ☆ Support the following audio formats:
 - eARC:** PCM 2.0/5.1/7.1ch, DD, DD+, DTS, Dolby TrueHD, DTS-HD MA, Dolby Atmos
 - ARC:** PCM 2.0ch, Dolby 5.1ch, DTS 5.1ch
 - S/PDIF:** PCM 2.0ch, Dolby 5.1ch, DTS 5.1ch
- ☆ Support bi-directional PoC (Power over Cable) function
- ☆ Compact design for easy and flexible installation

3. Package Contents

- ① 1 × HDMI Audio Extender (Transmitter)
- ② 1 × HDMI Audio Extender (Receiver)
- ③ 1 × 12V/1A Locking Power Adapter
- ④ 1 × User Manual

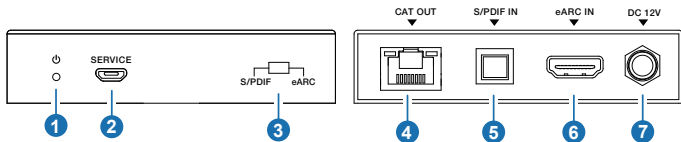
4. Specifications

Technical	
Supported Audio Formats	eARC: PCM 2.0/5.1/7.1ch, DD, DD+, DTS, Dolby TrueHD, DTS-HD MA, Dolby Atmos ARC: PCM 2.0CH, Dolby 5.1CH, DTS 5.1CH S/PDIF: PCM 2.0CH, Dolby 5.1CH, DTS 5.1CH
Transmission Distance	100m/328ft
ESD Protection	Human-body Model: ±8kV (Air-gap discharge), ±4kV (Contact discharge)
Connection	
Transmitter	Input: 1 × S/PDIF IN [Optical Audio Jack] 1 × eARC IN [HDMI Type A, 19-pin female] Output: 1 × CAT OUT [RJ45, female] Control: 1 × SERVICE
Receiver	Input: 1 × CAT IN [RJ45, female] Output: 1 × S/PDIF OUT [Optical Audio Jack] 1 × eARC OUT [HDMI Type A, 19-pin female] Control: 1 × SERVICE

Mechanical	
Housing	Metal Enclosure
Color	Black
Dimensions	Transmitter/Receiver: 90mm[W] × 72mm[D] × 20mm[H]
Weight	Transmitter/Receiver: 184g
Power Supply	Input: AC 100~240V 50/60Hz Output: DC 12V/1A (US/EU standard, CE/FCC/UL certified)
Power Consumption	5.65W (Max)
Operating Temperature	0°C~40°C / 32°F~104°F
Storage Temperature	-20°C~60°C / -4°F~140°F
Relative Humidity	20%~90% RH (non-condensing)

5. Operation Controls and Functions

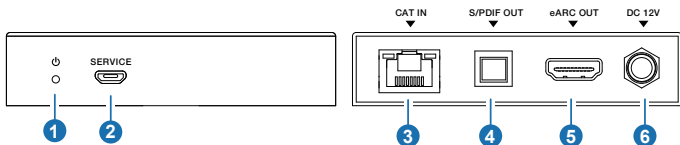
5.1 Transmitter Panel



No.	Name	Function Description
1	Power LED	When the transmitter is powered on, the red LED will be on.
2	SERVICE	Firmware update port.
3	S/PDIF /eARC switch	Use this switch to select audio pass-through channel. Switch to S/PDIF : The S/PDIF OUT port outputs the optical audio from the S/PDIF IN port of the transmitter. Switch to eARC : The eARC OUT port outputs the HDMI eARC audio from the eARC IN port of the transmitter.

4	CAT OUT	Connect to the CAT IN port of the receiver with CAT6/6a/7 cable.
5	S/PDIF IN	Optical fiber audio input port, connected to an optical digital audio source device with Optical Toslink cable.
6	eARC IN	HDMI audio signal input port, connected to a TV with ARC/eARC function, used for ARC/eARC audio and CEC pass-through.
7	DC 12V	DC 12V power input port.

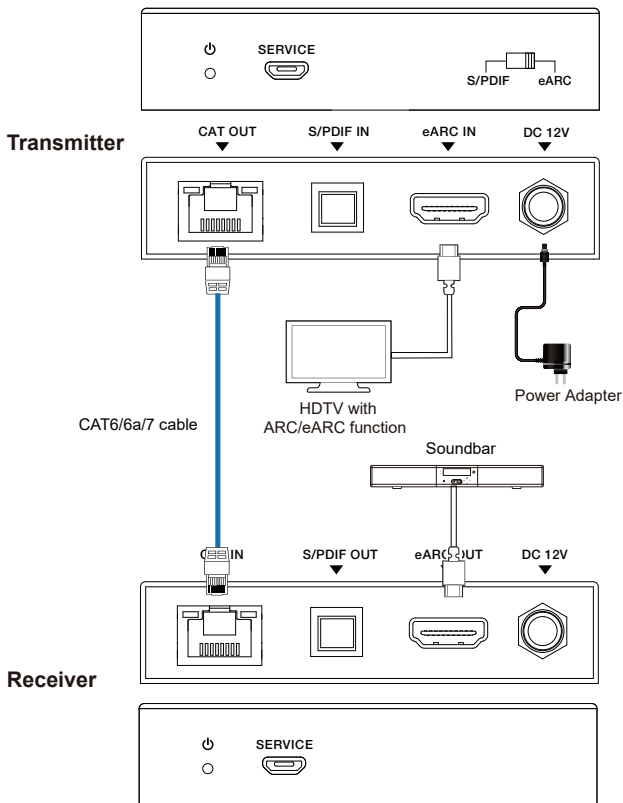
5.2 Receiver Panel



No.	Name	Function Description
1	Power LED	When the receiver is powered on, the red LED will be on.
2	SERVICE	Firmware update port.
3	CAT IN	Connect to the CAT OUT port of the transmitter with CAT6/6a/7 cable.
4	S/PDIF OUT	Optical fiber audio output port, connected to an amplifier or speaker with Optical Toslink cable.
5	eARC OUT	HDMI audio signal output port, connected to an HDMI audio device with ARC/eARC function such as a soundbar.
6	DC 12V	DC 12V power input port.

6. Application Example

Situation 1: eARC Mode



Situation 2: S/PDIF Pass-through Mode

