

HIGHLINE RETREAT F29060

Before you begin / Antes de comenzar
Avant de commencer



BILT.

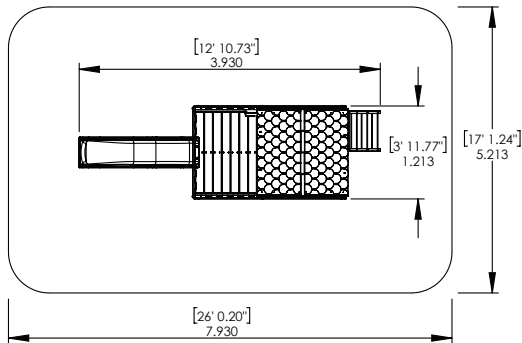


3D-GUIDED INTERACTIVE ASSEMBLY
INSTRUCTIONS CAN BE FOUND IN BILT
DOWNLOAD THE FREE APP

LAS INSTRUCCIONES DE ENSAMBLAJE INTERACTIVO
GUIADAS EN 3D SE PUEDEN ENCONTRAR EN BILT
DESCARGA LA APLICACIÓN GRATUITA

LES INSTRUCTIONS D'ASSEMBLAGE INTERACTIF
GUIDÉES EN 3D PEUVENT ÊTRE TROUVÉES EN BILT
TÉLÉCHARGER L'APPLICATION GRATUITE

INSTALLATION AND OPERATING INSTRUCTIONS



! WARNING

To reduce the risk of serious injury or death, you must read and follow these instructions. Keep and refer to these instructions often and give them to any future owner of this play system. Manufacturer contact information provided below.

OBSTACLE FREE SAFETY ZONE - **26'0.20" x 17'1.24" (7.930 x 5.213 m)** area requires Protective Surfacing. See Page 3

MAXIMUM VERTICAL FALL HEIGHT - **2'11.47" (0.9 m)**

CAPACITY - **8 Users Maximum, Ages 3 to 10; Weight Limit 110 lbs. (49.9 kg)** per child.

RESIDENTIAL HOME USE ONLY. Not intended for public areas such as schools, churches, nurseries, day cares or parks.

Warning. Only for domestic use.



2.5 - 4 Hrs

**TWO PERSON
ASSEMBLY**



KidKraft, Inc.
4630 Olin Road
Dallas, Texas 75244 USA
customerservice@kidkraft.com
canadacustomerservice@kidkraft.com
1.800.933.0771
972.385.0100
For online parts replacement visit
<https://parts.kidkraft.com/>

KidKraft Netherlands BV
Olympisch Stadion 29
1076DE Amsterdam
The Netherlands
europecustomerservice@kidkraft.com
+31 20 305 8620 M-F from 09:00 to 17:30
(GMT+1)
For online parts replacement visit
<https://parts.kidkraft.eu/>

Table of Contents

Warnings and Safe Play Instructions.....	pg. 2
Protective Surfacing Guidelines.....	pg. 3
Instructions for Proper Maintenance.....	pg. 4
About Our Wood – Limited Warranty.....	pg. 5
Battery Instruction and Warranty.....	pg. 6
Keys to Assembly Success.....	pg. 7-10
Part ID.....	pg. 11-14
Step-By-Step Instructions.....	pg. 15-47
Installation of I.D./Warning Plaque.....	Final Step

9409060

Rev 11/23/2018

Warnings and Safe Play Instructions



CONTINUOUS ADULT SUPERVISION REQUIRED. Most serious injuries and deaths on playground equipment have occurred while children were unsupervised! Our products are designed to meet mandatory and voluntary safety standards. Complying with all warnings and recommendations in these instructions will reduce the risk of serious or fatal injury to children using this play system. Go over the warnings and safe play instructions regularly with your children and make certain that they understand and follow them. Remember on-site adult supervision is required for children of all ages.



WARNING

SERIOUS HEAD INJURY HAZARD

Installation over concrete, asphalt, dirt, grass, carpet and other hard surface creates a risk of serious injury or death from falls to the ground. Install and maintain shock absorbing material under and around play-set as recommended on page 3 of these instructions.

COLLISION HAZARD

Place play-set on level ground at least 2m from any obstruction such as a garage or house, fences, poles, trees, sidewalks, walls, landscape timbers, rocks, pavement, planters, garden borders, overhanging branches, laundry lines, and electrical wires. (See OBSTACLE FREE SAFETY ZONE on cover)

CHOKING HAZARD/SHARP EDGES & POINTS

Adult assembly required. This product contains small parts and parts with sharp edges and points. Keep parts away from children until fully assembled.

WARNING LABEL

Owners shall be responsible for maintaining the legibility of the warning labels.

STRANGULATION HAZARD

- NEVER allow children to play with ropes, clotheslines, pet leashes, cables, chains or cord-like items when using this play-set or to attach these items to play-set.
- NEVER allow children to wear loose fitting clothing, ponchos, hoods, scarves, capes, necklaces, items with draw-strings, cords or ties when using this play-set.
- NEVER allow children to wear bike or sport helmets when using this play-set.

Failure to prohibit these items, even helmets with chin straps, increases the risk of serious injury and death to children from entanglement and strangulation.

TIP OVER HAZARD

Choose a level location for the equipment. This can reduce the likelihood of the play set tipping over and loose-fill surfacing materials washing away during heavy rains.

DO NOT allow children to play on the play-set until the assembly is complete and the unit is properly anchored.

Never add extra length to chain or rope. The chains or ropes provided are the maximum length designed for the swinging element(s).



WARNING – Safe Play Instructions

- ✓ Observe capacity limitations of your play-set. See front cover.
- ✓ Dress children with well fitting and full foot enclosing footwear.
- ✓ Teach children to sit with their full weight in the center of the swing seat to prevent erratic swing motion or falling off.
- ✓ Check for splintered, broken or cracked wood; missing, loose, or sharp edged hardware. Replace, tighten and or sand smooth as required prior to playing.
- ✓ Verify that suspended climbing ropes, rope ladders, chain or cable are secured at both ends and cannot be looped back on itself as to create an entanglement hazard.
- ✓ On sunny and or hot days, check the slide and other plastic rides to assure that they are not very hot as to cause burns. Cool hot slide and rides with water and wipe dry prior to using.
- ✓ Orientate slide such that it gets the least amount of exposure to the sun.
- ✗ Do not allow children to wear open toe or heel footwear like sandals, flip-flops or clogs.
- ✗ Do not allow children to walk, in front, between, behind or close to moving rides.
- ✗ Do not let children twist swing chains or ropes or loop them over the top support bar. This may reduce the strength of the chain or rope and cause premature failure.
- ✗ Do not let children get off rides while they are in motion.
- ✗ Do not permit climbing on equipment when it is wet.
- ✗ Do not permit rough play or use of equipment in a manner for which it was not intended. Standing on or jumping from the roof, elevated platforms, swings, climbers, ladders or slide can be dangerous.
- ✗ Do not allow children to swing empty rides or seats.
- ✗ Do not allow children to go down slide head first or run up slide.

⚠️ Protective Surfacing - Reducing Risk of Serious Head Injury From Falls.

One of the most important things you can do to reduce the likelihood of serious head injuries is to install shock-absorbing protective surfacing under and around your play equipment. The protective surfacing should be applied to a depth that is suitable for the equipment height in accordance with ASTM F1292. There are different types of surfacing to choose from; whichever product you select, follow these guidelines:

Loose-Fill Materials

- Maintain a minimum depth of 9 inches of loose-fill materials such as wood mulch/chips, engineered wood fiber (EWF), or shredded/recycled rubber mulch for equipment up to 8 feet high; and 9 inches of sand or pea gravel for equipment up to 5 feet high. NOTE: An initial fill level of 12 inches will compress to about a 9-inch depth of surfacing over time. The surfacing will also compact, displace, and settle, and should be periodically raked and refilled to maintain at least a 9-inch depth.
- Use a minimum of 6 inches of protective surfacing for play equipment less than 4 feet in height. If maintained properly, this should be adequate. (At depths less than 6 inches, the protective material is too easily displaced or compacted.)

NOTE: Do not install home playground equipment over concrete, asphalt, or any other hard surface. A fall onto a hard surface can result in serious injury to the equipment user. Grass and dirt are not considered protective surfacing because wear and environmental factors can reduce their shock absorbing effectiveness. Carpeting and thin mats are not adequate protective surfacing. Ground level equipment -- such as a sandbox, activity wall, playhouse or other equipment that has no elevated play surface -- does not need any protective surfacing.

- Use containment, such as digging out around the perimeter and/or lining the perimeter with landscape edging. Don't forget to account for water drainage.
- Periodically rake, check and maintain the depth of the loose-fill surfacing material. Marking the correct depth on the play equipment support posts will help you to see when the material has settled and needs to be raked and or replenished. Be sure to rake and evenly redistribute the surfacing in heavily used areas.
- Do not install loose fill surfacing over hard surfaces such as concrete or asphalt.

Poured-In-Place Surfaces or Pre-Manufactured Rubber Tiles

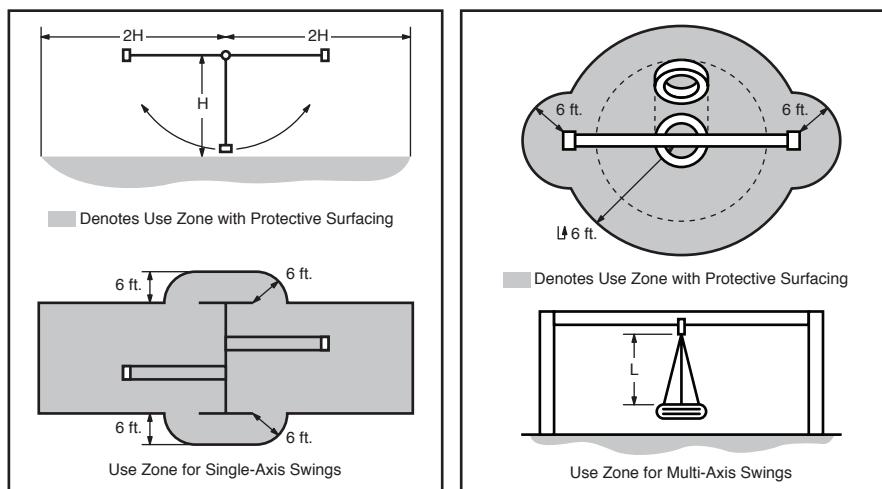
You may be interested in using surfacing other than loose-fill materials - like rubber tiles or poured-in-place surfaces.

- Installations of these surfaces generally require a professional and are not "do-it yourself" projects.
- Review surface specifications before purchasing this type of surfacing. Ask the installer/manufacturer for a report showing that the product has been tested to the following safety standard: ASTM F1292 *Standard Specification for Impact Attenuation of Surfacing Materials within the Use Zone of Playground Equipment*. This report should show the specific height for which the surface is intended to protect against serious head injury. This height should be equal to or greater than the fall height - vertical distance between a designated play surface (*elevated surface for standing, sitting, or climbing*) and the protective surfacing below - of your play equipment.
- Check the protective surfacing frequently for wear.

Placement

Proper placement and maintenance of protective surfacing is essential. Refer to diagram on front cover. Be sure to;

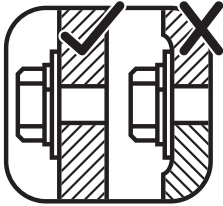
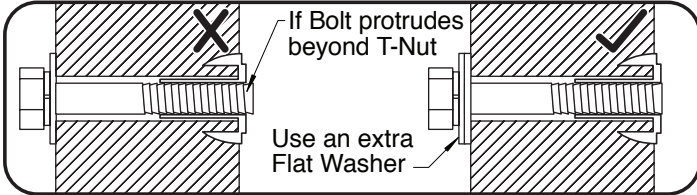
- Extend surfacing at least 2m from the equipment in all directions.
- For to-fro swings, extend protective surfacing in front of and behind the swing to a distance equal to twice the height of the top bar from which the swing is suspended.
- For tire swings, extend surfacing in a circle whose radius is equal to the height of the suspending chain or rope, plus 6 feet in all directions.



Instructions for Proper Maintenance

Your KidKraft Play System is designed and constructed of quality materials with your child's safety in mind. As with all outdoor products used by children, it will weather and wear. To maximize the enjoyment, safety and life of your Play Set, it is important that you, the owner, properly maintain it.

Check the following at the beginning of the play season:

<p>HARDWARE:</p> <ul style="list-style-type: none"> ✓ Check metal parts for rust. If found, sand and repaint using a non-lead paint complying with 16 CFR 1303. ✓ Inspect and tighten all hardware. On wood assemblies DO NOT OVER-TIGHTEN as to cause crushing and splintering of wood. ✓ Check for sharp edges or protruding screw threads, add washers if required.   <p>SHOCK ABSORBING SURFACING:</p> <ul style="list-style-type: none"> ✓ Check for foreign objects. Rake and check depth of loose fill protective surfacing materials to prevent compaction and maintain appropriate depth. Replace as necessary. (See Protective Surfacing, page 3) 	<p>GROUND STAKES (ANCHORS):</p> <ul style="list-style-type: none"> ✓ Check for looseness, damage or deterioration. Should firmly anchor unit to ground during use. Re-secure and or replace, if necessary. <p>SWING HANGERS:</p> <ul style="list-style-type: none"> ✓ Check that bolts are secure and tight. Quick clips should be completely closed and threaded clips screwed tight. ✓ If squeaking occurs lubricate bushings with oil or WD-40®. <p>SWINGS, ROPES AND RIDES:</p> <ul style="list-style-type: none"> ✓ Reinstall if removed during cold season. Check all moving parts including swing seats, ropes, chains and attachments for wear, rust and other deterioration. Replace as needed. ✓ Check that ropes are tight, secure at both ends and cannot loop back as to create an entrapment. <p>WOOD PARTS:</p> <ul style="list-style-type: none"> ✓ Check all wood members for deterioration, structural damage and splintering. Sand down splinters and replace deteriorated wood members. As with all wood, some checking and small cracks in grain is normal. ✓ Unprotected, they will appear weathered over time. Periodic application of an exterior water repellent or stain (water-based) will help improve appearance and life.
--	--

Check twice a month during play season:

<p>HARDWARE:</p> <ul style="list-style-type: none"> ✓ Inspect for tightness. Must be firmly against, but not crushing the wood. DO NOT OVER-TIGHTEN. This will cause splintering of wood. ✓ Check for sharp edges or protruding screw threads. Add washers if required. 	<p>SHOCK ABSORBING SURFACING:</p> <ul style="list-style-type: none"> ✓ Rake and check depth of loose fill protective surfacing materials to prevent compaction and maintain appropriate depth. Replace as necessary. (See Protective Surfacing, page 3)
---	---

Check once a month during play season:

<p>SWING HANGERS:</p> <ul style="list-style-type: none"> ✓ Check that they are secure and orientated correctly. Hook should rotate freely and perpendicular to support beam. ✓ If squeaking occurs lubricate bushings with oil or WD-40®. 	<p>SWINGS AND RIDES:</p> <ul style="list-style-type: none"> ✓ Check swing seats, all ropes, chains and attachments for fraying, wear, excessive corrosion or damage. Replace if structurally damaged or deteriorated.
--	---

Check at the end of the play season:

<p>SWINGS AND RIDES:</p> <ul style="list-style-type: none"> ✓ To prolong their life, remove swings and store inside when outside temperature is below 32°F/0°C. Below freezing, plastic parts may become more brittle. 	<p>SHOCK ABSORBING SURFACING:</p> <ul style="list-style-type: none"> ✓ Rake and check depth of loose fill protective surfacing materials to prevent compaction and maintain appropriate depth. Replace as necessary. (See Protective Surfacing, page 3)
--	---

If you dispose of your play set: Please disassemble and dispose of your unit so that it does not create any unreasonable hazards at the time it is discarded. Be sure to follow your local waste ordinances.

About Our Wood

KidKraft Premium Play Systems uses only premium playset lumber, ensuring the safest product for your children's use. Although we take great care in selecting the best quality lumber available, wood is still a product of nature and susceptible to weathering which can change the appearance of your set.

What causes weathering? Does it affect the strength of my Play System?

One of the main reasons for weathering is the effects of water (moisture); the moisture content of the wood at the surface is different than the interior of the wood. As the climate changes, moisture moves in or out of the wood, causing tension which can result in checking and or warping. You can expect the following due to weathering. These changes will not affect the strength of the product:

1. **Checking** is surface cracks in the wood along the grain. A post (4" x 4") will experience more checking than a board (1" x 4") because the surface and interior moisture content will vary more widely than in thinner wood.
2. **Warping** results from any distortion (twisting, cupping) from the original plane of the board and often happens from rapid wetting and drying of the wood.
3. **Fading** happens as a natural change in the wood color as it is exposed to sun-light and will turn a grey over time.

How can I reduce the amount of weathering to my Play System?

At the factory we have coated the wood with a water repellent or stain. This coating decreases the amount of water absorption during rain or snow thus decreasing the tension in the wood. Sunlight will break down the coating, so we recommend applying a water repellent or stain on a yearly basis (see your local stain and paint supplier for a recommended product).

Most weathering is just the normal result of nature and will not affect safe play and enjoyment for your child. However if you are concerned that a part has experienced a severe weathering problem please call our consumer relations department for further assistance.

Complete and mail registration card to receive important product notifications and assure prompt warranty service.

5 Year Limited Warranty

KidKraft warrants that this product is free from defect in materials and workmanship for a period of one year from the original date of purchase. In addition, lumber is warranted for 5 years against structural failure due to rot and insect damage. All other parts, such as hardware, swings, rides, accessories, and slides carry a one-year warranty only.

This warranty applies to the original owner and registrant and is non-transferable.

Regular maintenance is required to assure the integrity of your Play System. This warranty does not cover any inspection cost.

This Limited Warranty does not cover:

- Labor for replacement of any defective item(s);
- Incidental or consequential damages;
- Cosmetic defects which do not affect performance or integrity;
- Vandalism; improper use or installation; acts of nature;
- Minor twisting, warping, checking, or any other natural occurring properties of wood that do not affect performance or integrity.

KidKraft products have been designed for safety and quality. Any modifications made to the original product could damage the structural integrity of the unit leading to failure and possible injury.

Kidkraft cannot assume any responsibility for modified products. Furthermore, modification voids any and all warranties.

This product is warranted for **RESIDENTIAL USE ONLY**. Under no circumstance should a KidKraft Play System be used in public settings such as schools, churches, playgrounds, parks, day cares and the like. Such use may lead to product failure and potential injury. Any and all public use will void this warranty.

KidKraft disclaims all other representations and warranties of any kind, express or implied.

This Warranty gives you specific legal rights. You may have other rights as well which vary from state to state or province to province. This warranty excludes all consequential damages, however, some states do not allow the limitation or exclusion of consequential damages, and therefore this limitation may not apply to you.

Battery Instruction and Warranty

This device complies with Part 15 of the FCC Rules. Operation is subject to the following two conditions:

(1) This device may not cause harmful interference, and (2) this device must accept any interference received, including interference that may cause undesired operation.

NOTE: This equipment has been tested and found to comply with the limits for a Class B digital device, pursuant to part 15 of the FCC Rules. These limits are designed to provide reasonable protection against harmful interference in a residential installation. This equipment generates, uses and can radiate radio frequency energy and, if not installed and used in accordance with the instructions, may cause harmful interference to radio communications. However, there is no guarantee that interference will not occur in a particular installation. If this equipment does cause harmful interference to radio or television reception, which can be determined by turning the equipment off and on, the user is encouraged to try to correct the interference by one or more of the following measures:

- Reorient or relocate the receiving antenna.
- Increase the separation between the equipment and receiver.
- Connect the equipment into an outlet on a circuit different from that to which the receiver is connected.
- Consult the dealer or an experienced radio /TV technician for help.

Note: Changes or modifications not expressly approved by the manufacturer responsible for compliance could void the user's authority to operate the equipment.

Please retain the information on this pack for future reference.

- Batteries should always be installed and changed under adult supervision.
- Non-Rechargeable batteries are not to be recharged.
- Rechargeable batteries are only to be charged under adult supervision.
- Only batteries of the same equivalent type as recommended are to be used.
- Batteries are to be inserted with the correct polarity.
- Exhausted batteries are to be removed from the toy and disposed of properly.
- The supply terminals are not to be short circuited.
- Different types of batteries or new and used batteries are not to be mixed.
- DO NOT mix alkaline, standard (carbon-zinc) or rechargeable batteries.
- Be sure to insert new batteries with positive (+) side up.
- Rechargeable batteries are to be removed from the toy before being charged.
- EU Regulations require exhausted batteries to be separately collected so that they can be treated using the best available recovery and recycling techniques. This will minimize the impact on the environment and human health from soil and water contamination by any hazardous substances, decrease the resources required to make new products and avoid using up landfill space.
- Batteries or battery packs must be recycled or disposed of properly. When the batteries in this product have reached the end of their useful life, they should not be disposed of with other household waste.
- Please do your part by keeping waste batteries out of the municipal waste stream!

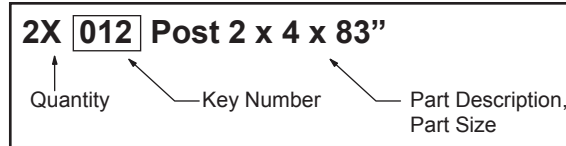
Keys to Assembly Success

Tools Required

<ul style="list-style-type: none"> • Tape Measure • Carpenters Level • Carpenters Square • Claw Hammer • Standard or Cordless Drill 	<ul style="list-style-type: none"> • #1, #2 & #3 Phillips or Robertson Bits or Screwdriver • Ratchet with extension (1/2" & 9/16" sockets) 	<ul style="list-style-type: none"> • Open End Wrench (7/16", 1/2" & 9/16") • Adjustable Wrench • 1/8" & 3/16" Drill Bits • Pencil 	<ul style="list-style-type: none"> • 3/16" Hex Key • 8' Step Ladder • Safety Glasses • Adult Helpers
--	--	---	--

Part Identification Key





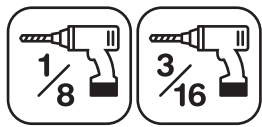


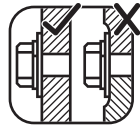
On each page, you will find the parts and quantities required to complete the assembly step illustrated on that page. Here is a sample.



Key Number: The first two digits represent the step number. The third digit represents the piece. Note that if the part is used in multiple steps then the number only reflects the first step it is used in.

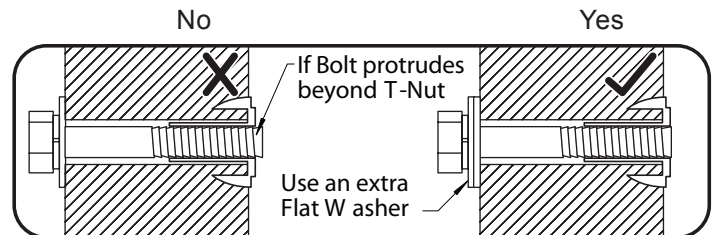
Symbols

Throughout these instructions symbols are provided as important reminders for proper and safe assembly.

<p>This identifies information that requires special attention. Improper assembly could lead to an unsafe or dangerous condition.</p> 	<p>Check that set or assembly is properly level before proceeding.</p> <p>Use Level</p> 
<p>Use Help</p>  <p>Use Help</p>  <p>Where this is shown, 2 or 3 people are required to safely complete the step. To avoid injury or damage to the assembly make sure to get help!</p>	<p>Pre-drill 1/8" & 3/16" Bit</p>  <p>Pre-drill a pilot hole before fastening screw or lag to prevent splitting of wood.</p>
<p>Measure Distance</p>  <p>Check that assembly is square before tightening bolts.</p> <p>Use a measuring tape to assure proper location.</p>	<p>Square Assembly</p>  <p>Tighten Bolts</p>  <p>This indicates time to tighten bolts, but not too tight! Do not crush the wood. This may create splinters and cause structural damage.</p>

CAUTION – Protrusion Hazard

Once the assembly is tightened, watch for exposed threads. If a thread protrudes from the T-Nut, remove the bolt and add washers to eliminate this condition. Extra washers have been provided for this purpose.

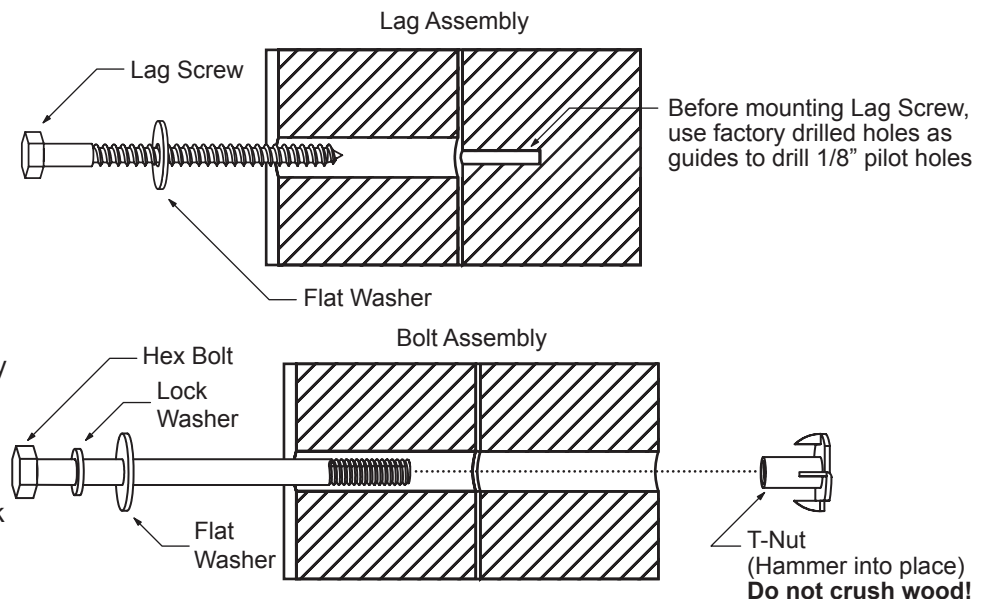


Proper Hardware Assembly

Lag screws require drilling pilot holes to avoid splitting wood. Only a flat washer is required. For ease of installation liquid soap can be used on all lag-type screws.

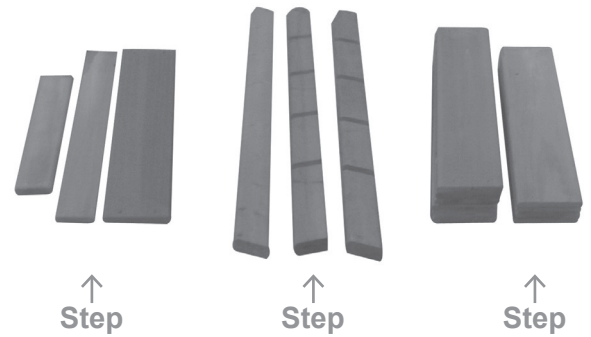
For bolts, tap T-Nut into hole with hammer. Insert the hex bolt through lock washer first then flat washer then hole. Because the assemblies need to be squared do not completely tighten until instructed. Pay close attention to diameter of the bolts. 5/16" is slightly larger than 1/4".

Note: Wafer head bolts with blue lock tight or a bolt with a Ny-Lok nut do NOT require a lock washer.



Your Key To Quick Assembly

SORTING WOOD PARTS INTO EACH ASSEMBLY STEP WILL SAVE TIME!



SAVE TIME - TIP #1:

Open each box with wood parts and look for the Key Number stamped on the end of the wood part (see chart below). Sort each wood part into the different assembly steps.

2X **012** **Post** **2 x 4 x 83"**
↑ ↑ ↑ ↑
Part Quantity Key Number Part Description Part Size

Step Number
(This is Step 1) **012** **Order Listed**
(The order the part is listed in step 1)

Key Number: The first two digits represent the step number. The third digit represents the order in which the part is listed in the step.

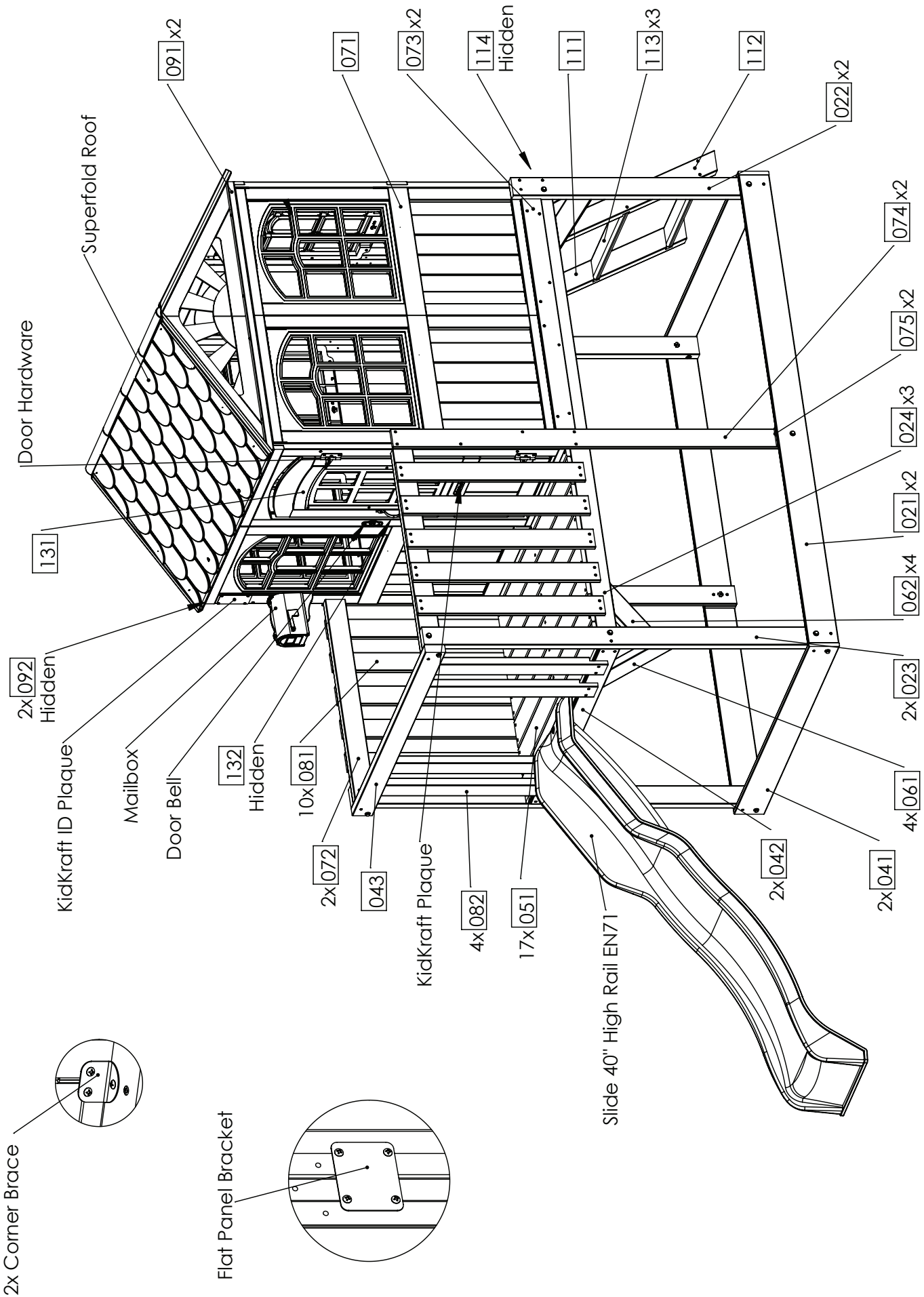
Note that if the part is used in multiple steps then the key number only reflects the first step it is used in.

SAVE TIME - TIP #2:

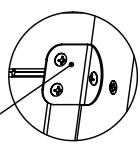
In addition to the key number stamp, you can also identify the wood parts by using the Parts Identification pages in the manual or the Parts Identification weather resistant poster.

HARDWARE:

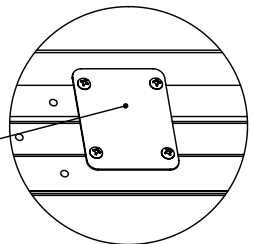
The majority of each hardware part comes packed in a separate bag so you do not need to sort the hardware. Each assembly step indicates which hardware (bolt, screw, washer etc.) you will require to complete the step.



2x Corner Brace

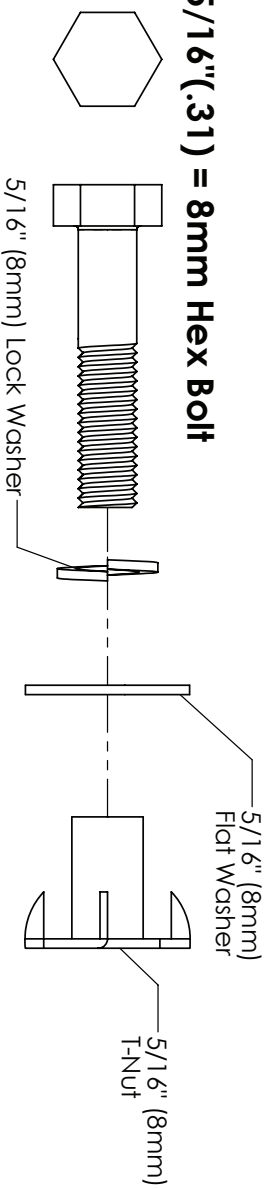


Flat Panel Bracket

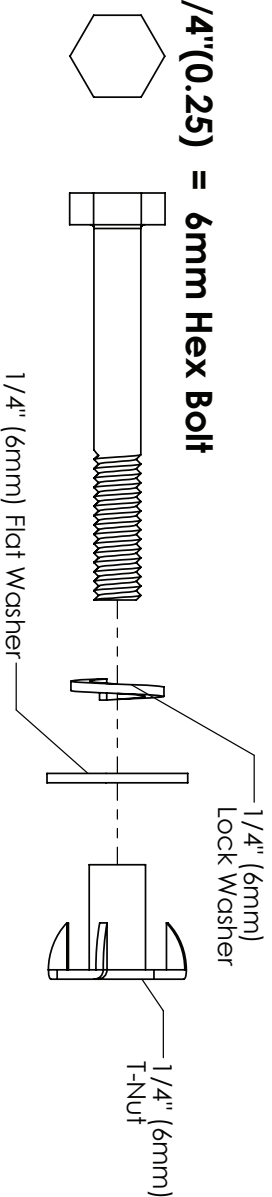


KIDKRAFT HARDWARE

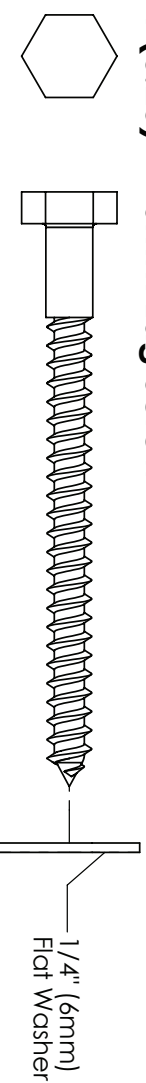
5/16"(.31) = 8mm Hex Bolt



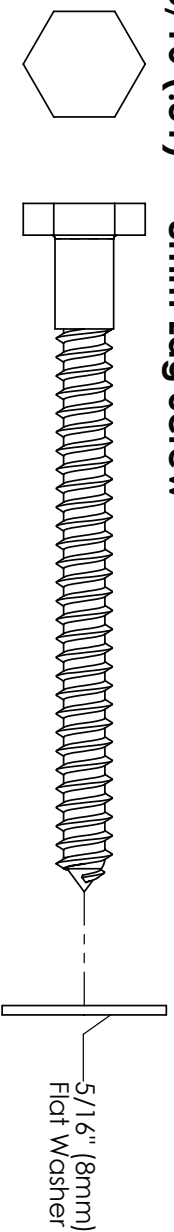
1/4"(0.25) = 6mm Hex Bolt



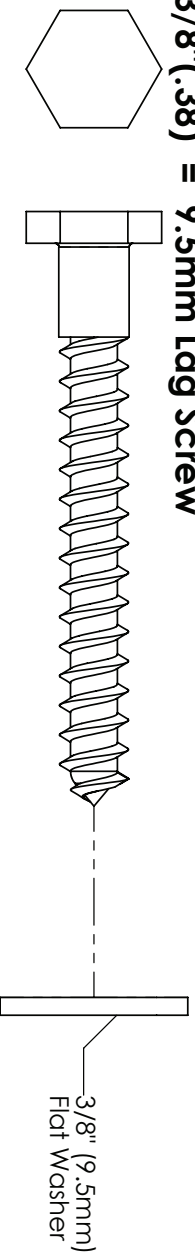
1/4"(0.25) = 6mm Lag Screw



5/16"(.31) = 8mm Lag Screw



3/8"(.38) = 9.5mm Lag Screw



HARDWARE LENGTH CHART vs

inches	millimetres
6	152
5½	140
5	127
4½	114
4	102
3½	89
3	76
2½	64
2	51
1½	38
1¼	32
1-1/8	29
1	25.4
7/8	22
3/4	19
1/2	12.7

DIAMETER CONVERSION

1 inch = 25.4mm

For example:

BOLT DIAMETER 5/16 (0.31) inches

0.31 inches x 25.4mm = 8mm

LENGTH CONVERSION

1 inch = 25.4mm

For example:

BOLT LENGTH 4½ (4.5) inches long

4.5 inches x 25.4mm = 114mm long

Part Identification (Reduced Part Size)

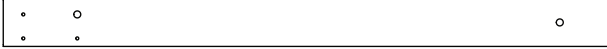
2pc. - [021] - 5/8 x 4-1/2 x 76-7/8" (15.9 x 114.3 x 1952.6mm) - Lower Front Back - Box 2 - 3569327



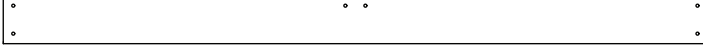
2pc. - [041] - 5/8 x 4-1/2 x 47-3/4" (15.9 x 114.3 x 1213.4mm) - Lower Side - Box 2 - 3569328



2pc. - [022] - 1-1/4 x 3 x 38" (31.8 x 76.2 x 964.5mm) - Upright Short - Box 2 - 3569329



2pc. - [042] - 1-1/4 x 3 x 44" (31.8 x 76.2 x 1118mm) - End Floor Support - Box 2 - 3569330



3pc. - [024] - 1-1/4 x 3 x 74-3/8" (31.8 x 76.2 x 1889mm) - Floor Support Long - Box 2 - 3569331



17pc. - [051] - 5/8 x 4-1/2 x 44" (15.9 x 114.3 x 1118mm) - Floor Board - Box 2 - 3739332



2pc. - [074] - 5/8 x 3 x 61" (15.9 x 76.2 x 1549.4mm) - Upright Center - Box 2 - 3569333



2pc. - [075] - 5/8 x 3 x 4-1/2" (15.9 x 76.2 x 114.3mm) - Upright Block - Box 1 - 3569334



2pc. - [023] - 1-1/4 x 3 x 61" (31.8 x 76.2 x 1549.4mm) - Upright Long - Box 2 - 3569335



1pc. - [043] - 1-1/4 x 3 x 46-1/2" (31.8 x 76.2 x 1181.6mm) - SL Barrier Top - Box 2 - 3569336



2pc. - [072] - 1-1/4 x 3 x 32-7/8" (31.8 x 76.2 x 835mm) - Side BarrierTop - Box 2 - 3569337



10pc. - [081] - 5/8 x 3 x 27-5/8" (15.9 x 76.2 x 701.7mm) - SL Barrier - Box 2 - 3569338



4pc. - [082] - 1-1/4 x 3 x 27-5/8" (31.8 x 76.2 x 701.7mm) - End Barrier - Box 2 - 3569339



1pc. - [114] - 5/8 x 3-1/4 x 20-3/4" (15.9 x 82.6 x 527mm) - Ladder Gap - Box 2 - 3569340



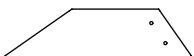
1pc. - [132] - 1 x 2-1/2 x 5" (23.8 x 63.5 x 127mm) - Door Stop - Box 1 - 3569341



4pc. - [061] - 1-1/4 x 3 x 13-3/8" (31.8 x 76.2 x 340mm) - Gusset Long - Box 2 - 3569342



4pc. - [062] - 1-1/4 x 3 x 11-3/4" (31.8 x 76.2 x 300mm) - Gusset Short - Box 2 - 3569343



2pc. - [091] - 1 x 1 x 44" (25.4 x 25.4 x 1117.6mm) - Side Wall Soffit - Box 2 - 3569344



2pc. - [092] - 1 x 1 x 41-7/8" (25.4 x 25.4 x 1064.8mm) - End Wall Soffit - Box 1 - 3569345



Part Identification (Reduced Part Size)

1pc. - **111** - 1-3/8 x 3 x 39-7/8" (34.9 x 76.2 x 1013mm) - Right Access - Box 1 - 3739346



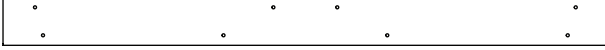
3pc. - **113** - 1 x 3-1/4 x 19-1/4" (23.8 x 82.6 x 488.8mm) - Tread - Box 1 - 3739347



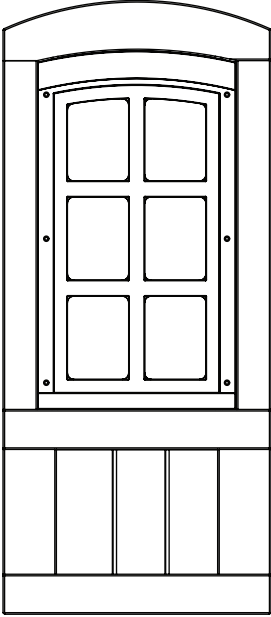
1pc. - **112** - 1-3/8 x 3 x 39-7/8" (34.9 x 76.2 x 1013mm) - Left Access - Box 1 - 3739348



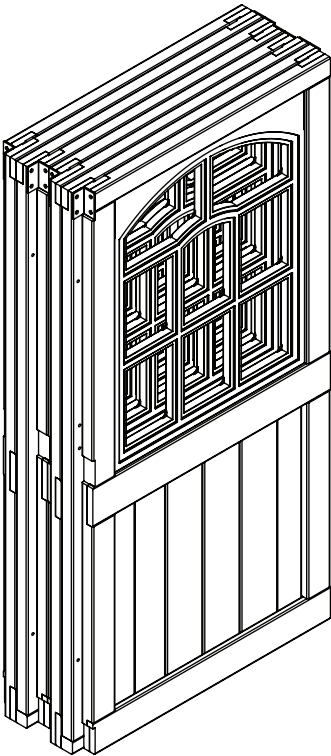
2pc. - **073** - 5/8 x 3 x 37-7/8" (15.9 x 76.2 x 963mm) - Center Tie - Box 2 - 3569349



1pc. - **131** - 1 x 16-3/4 x 38-3/8" (25.4 x 425.5 x 974.3mm) - Door - Box 1 - 37739212

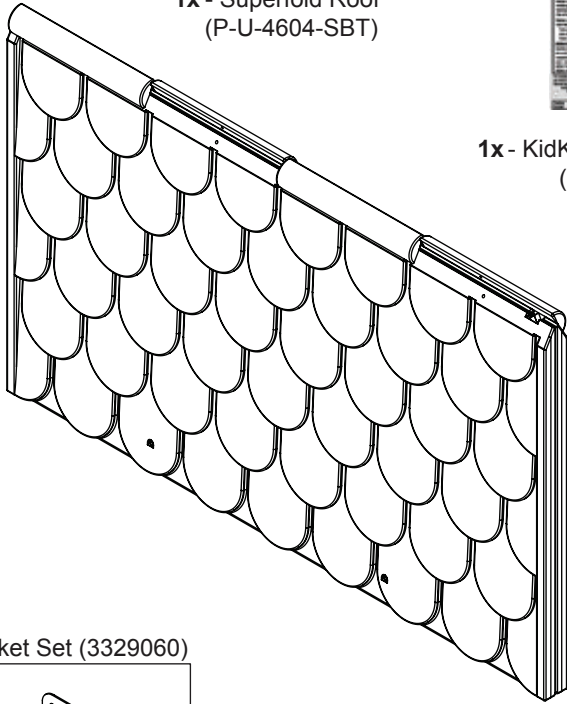


1pc. - **071** - 8 x 22 x 43" (203.4 x 558.8 x 1092.2mm) - Panel Assembly - Box 1 - 378569213



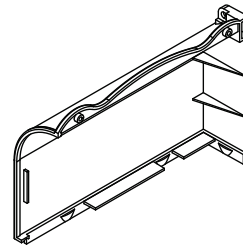
Part Identification (Reduced Part Size)

1x - Superfold Roof
(P-U-4604-SBT)



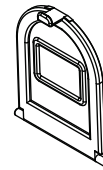
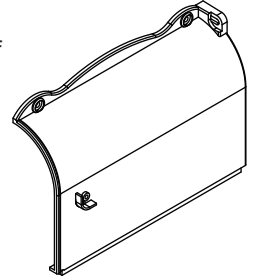
1x - KidKraft ID Plaque
(9320370)

1x - Mailbox (3321910)



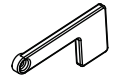
3x - #6 x 9 mm
Self Tapping Screw
(52042902)

1x - Mailbox Other Half
(9321923B)

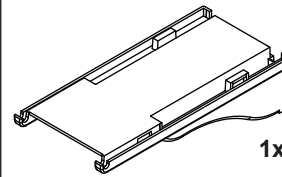


1x - Mailbox 2 Door
(9321526)

1x - Mailbox Flag Half
(9321923A)



1x - Rural Mailbox Flag
(9320327)

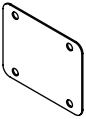


1x - Mailbox 2 Bottom
(9330522)

1x - Bracket Set (3329060)



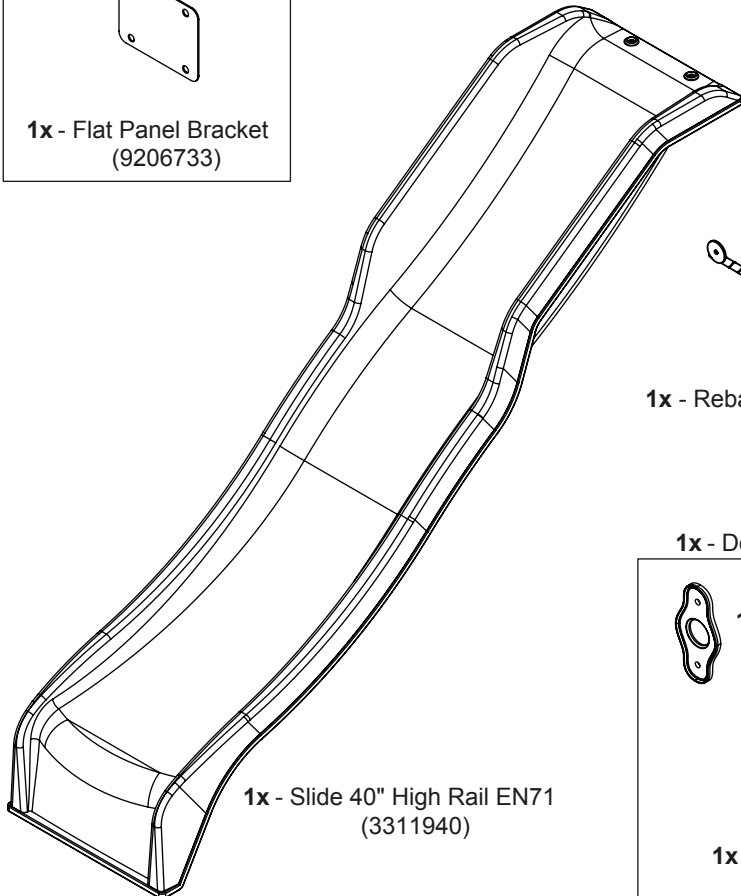
2x - Corner Bracket
(9206770)



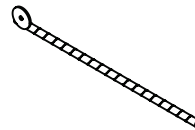
1x - Flat Panel Bracket
(9206733)



1x - KidKraft Logo Plaque
(P-U-4825)



1x - Slide 40" High Rail EN71
(3311940)

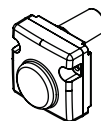


1x - Rebar GroundStake (6 Pk)
(3200318)

1x - Door Bell (3321946)



1x - Doorbell Trim
(9321917)

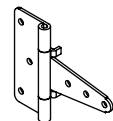


1x - Doorbell 2
(9320545)

1x - Door Hardware (3200710)



2x - Door Handle
(9207711)



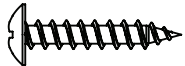
2x - Door Hinge Assembly
(9207712)



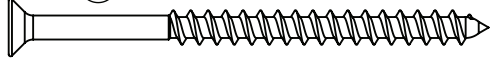
1x - Magnetic Catch Assembly
(9207713)

Hardware Identification (Actual Size)

22pc. **(S0)** - Truss Head Screw #8 x 7/8" (22mm)
- (52933505)



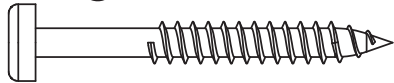
44pc. **(S3)** - Wood Screw #8 x 2-1/2" (64mm) - (52043522)



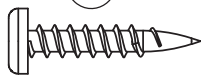
12pc. **(S4)** - Wood Screw #8 x 3" (76mm) - (52043530)



10pc. **(S7)** - Pan Screw #12 x 2" (51mm) - (52433620)



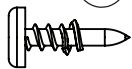
5pc. **(S10)** - Pan Screw #8 x 1" (25mm) - (52433510)



42pc. **(S11)** - Wood Screw #8 x 2" (51mm) - (52043520)



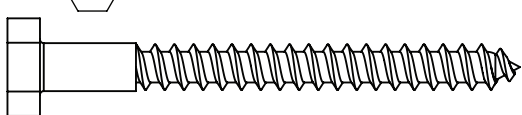
20pc. **(S13)** - Pan Screw #6 x 5/8" (16mm) 52413908



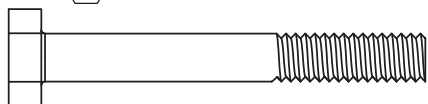
2pc. **(S15)** - Wood Screw #8 x 1-3/4" (44mm) - (52043513)



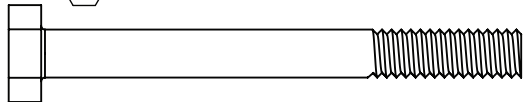
2pc. **(LS2)** - Lag Screw 1/4 x 2-1/2" (6mm x 64mm) - (52213222)



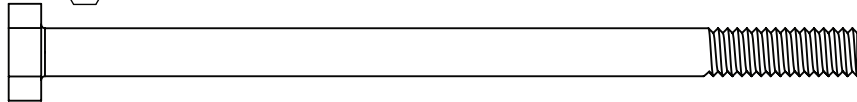
6pc. **(H2)** - Hex Bolt 1/4 x 2" (6mm x 51mm) - (53703220)



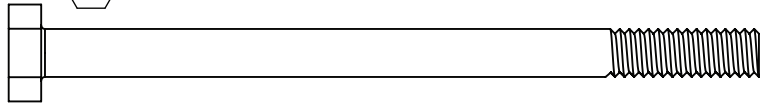
6pc. **(H3)** - Hex Bolt 1/4 x 2-1/2" (6mm x 64mm) - (53703222)



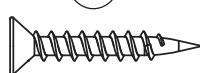
2pc. **(H8)** - Hex Bolt 1/4 x 4-1/4" (6mm x 108mm) - (53703241)



4pc. **(H15)** - Hex Bolt 1/4 x 3-3/4" (6mm x 95mm) - (53702233)



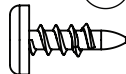
2pc. **(S18)** - Wood Screw #6 x 1" (25mm) - (52013910)



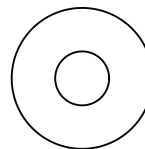
202pc. **(S20)** - Wood Screw #8 x 1-3/8" (35mm) - (52043516)



10pc. **(S37)** - Pan Screw #7 x 5/8" (16mm) - (52433009)



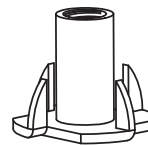
36pc. **(FW1)** - 1/4" (6mm) Flat Washer - (51103200)



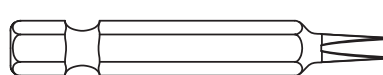
18pc. **(LW1)** - 1/4" (6mm) Washer Lock - (51303200)



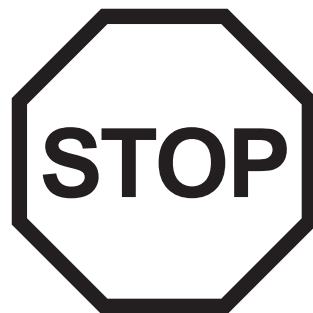
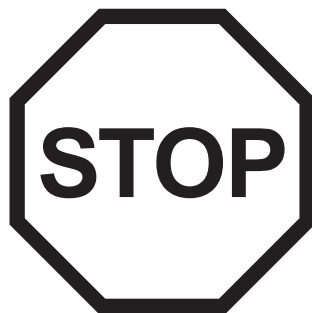
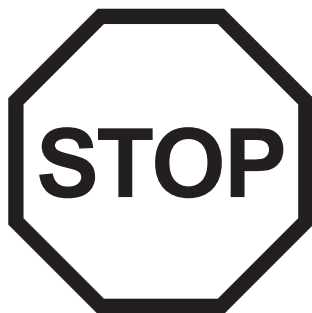
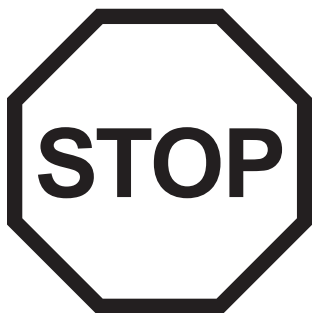
18pc. **(TN1)** - 1/4" (6mm) T - Nut - (54503200)



1pc. **(D4)** - #2 Robertson Driver Bit - (9200014)



Step 1: Inventory Parts - Read This Before Starting Assembly



- A.** This is the time for you to inventory all your hardware, wood and accessories, referencing the parts identification sheets. This will assist you with your assembly.
- The wood pieces will have the four digit key number stamped on the ends of the boards. The wood pieces are referenced throughout the instructions with this number.
 - Please refer to Page 6 for proper hardware assembly.
 - Each step indicates which bolts and/or screws you will need for assembly, as well as any flat washers, lock washers, t-nuts or lock nuts.
- B.** If there are any missing or damaged pieces or you need assistance with assembly please contact the consumer relations department directly. Call us before going back to the store.

1.800.933.0771 or 972.385.0100
customerservice@kidkraft.com
canadacustomerservice@kidkraft.com
For online parts replacement visit
<https://parts.kidkraft.com/>

+31 20 305 8620
europcustomerservice@KidKraft.com
For online parts replacement visit
<https://parts.kidkraft.eu/>

- C.** Read the assembly manual completely, paying special attention to ANSI warnings; notes; and safety/maintenance information.
- D.** Before you discard your cartons fill out the form below.
- The carton I.D. stamp is located on the end of each carton. The tracking number is located on the KidKraft ID Plaque (9320370).
 - Please retain this information for future reference. You will need this information if you contact the Consumer Relations Department.

MODEL NUMBER: **F29060**

CARTON I.D. STAMP: _ _ _ _ _ 14459 _ (Box 1)

CARTON I.D. STAMP: _ _ _ _ _ 14459 _ (Box 4)

CARTON I.D. STAMP: _ _ _ _ _ 14459 _ (Box 2)

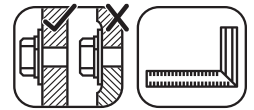
CARTON I.D. STAMP: _ _ _ _ _ 14459 _ (Box 5)

CARTON I.D. STAMP: _ _ _ _ _ 14459 _ (Box 3)

CARTON I.D. STAMP: _ _ _ _ _ 14459 _ (Box 6)

TRACKING NUMBER (from ID Plaque): _____

Step 2: Back Wall Assembly



Note: It is important to note hole orientation for the following step.

A: Place (021) Lower Front Back so that one end is over (023) Upright Long and the other end is over (022) Upright Short. Attach each end using 1 (H2) 1/4 x 2" Hex Bolt (with lock washer, flat washer and t-nut) and 1 (S20) #8 x 1-3/8" Wood Screw making sure to note hole orientation. (fig. 2.1 and fig. 2.3)

B: Place (024) Floor Support Long so that one end is under the middle holes on (023) Upright Long and the other end is under the end of (022) Upright Short. Attach each end using 1 (H3) 1/4 x 2- 1/2" Hex Bolt (with lock washer, flat washer and t-nut). Check to make sure that assembly is square. (fig. 2.1 and fig. 2.2)

Fig. 2.1

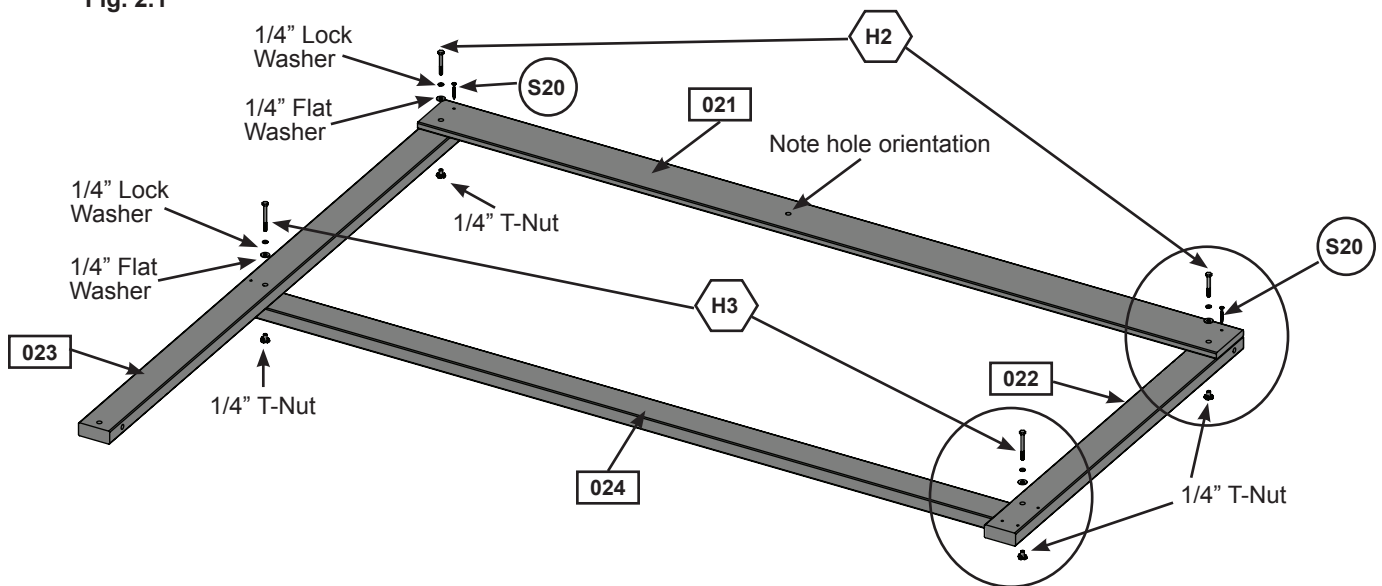


Fig. 2.2

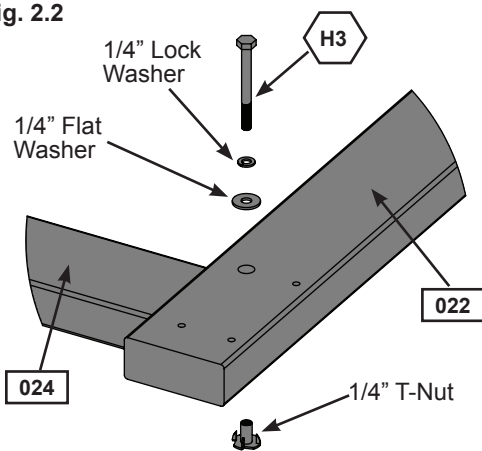
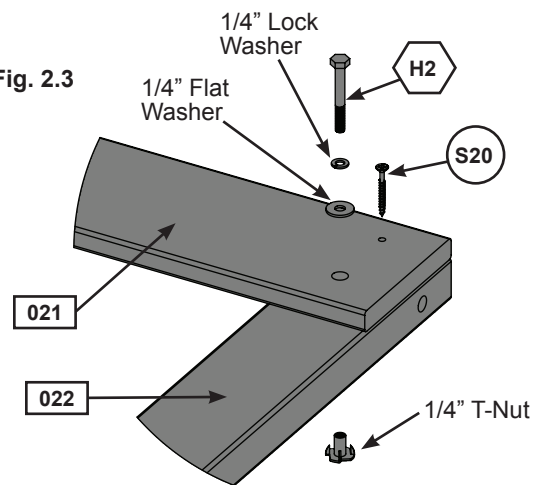


Fig. 2.3



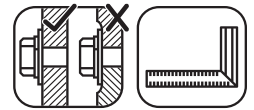
Wood Parts

- 1 x 021 Lower Front Back 5/8 x 4-1/2 x 76-7/8"
- 1 x 022 Upright Short 1-1/4 x 3 x 38"
- 1 x 023 Upright Long 1-1/4 x 3 x 61"
- 1 x 024 Floor Support Long 1-1/4 x 3 x 74-3/8"

Hardware

- 2 x H2 1/4 x 2" Hex Bolts
(1/4" lock washer, 1/4" flat washer, 1/4" t-nut)
- 2 x S20 #8 x 1-3/8" Wood Screw
- 2 x H3 1/4 x 2-1/2" Hex Bolt
(1/4" lock washer, 1/4" flat washer, 1/4" t-nut)

Step 3: Front Wall Assembly



Note: It is important to note hole orientation for the following step.

A: Refer to Step 2 but placing (023) Upright Long and (022) Upright Short on the opposite ends of the (021) Lower Front Back. Attach each end using 1 (H2) 1/4 x 2" Hex Bolt (with lock washer, flat washer and t-nut) and 1 (S20) #8 x 1-3/8" Wood Screw making sure to note hole orientation. (fig. 3.1 and fig. 3.2)

B: Place (024) Floor Support Long so that one end is under the middle holes on (023) Upright Long and the other end is under the end of (022) Upright Short. Attach each end using 1 (H3) 1/4 x 2- 1/2" Hex Bolt (with lock washer, flat washer and t-nut). Check to make sure that assembly is square. (fig. 3.1 and fig. 3.3)

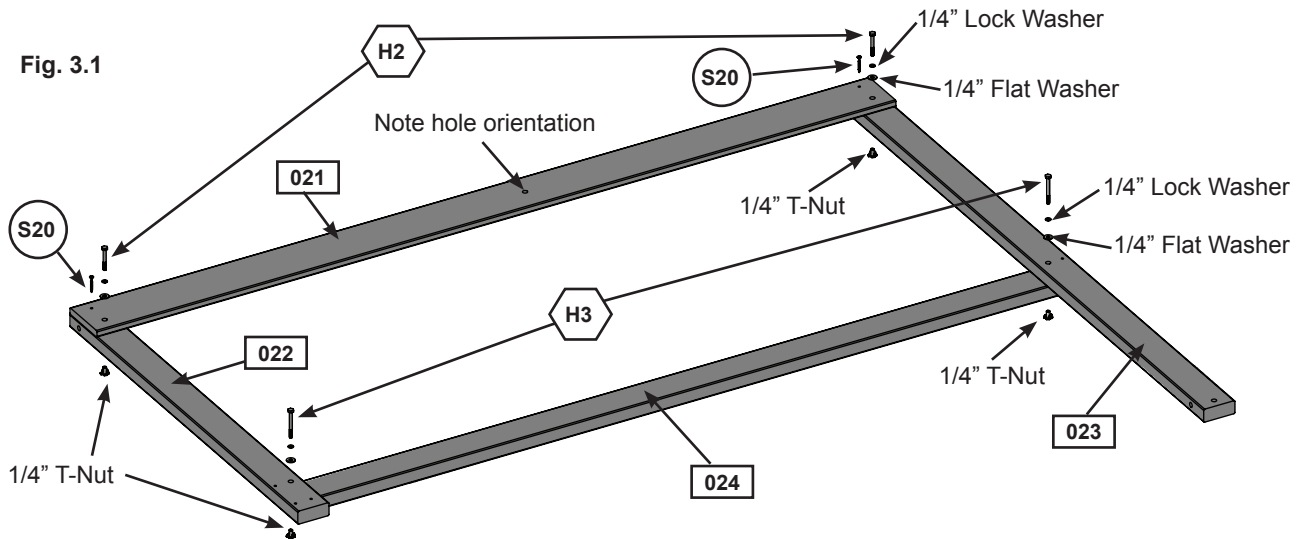


Fig. 3.2

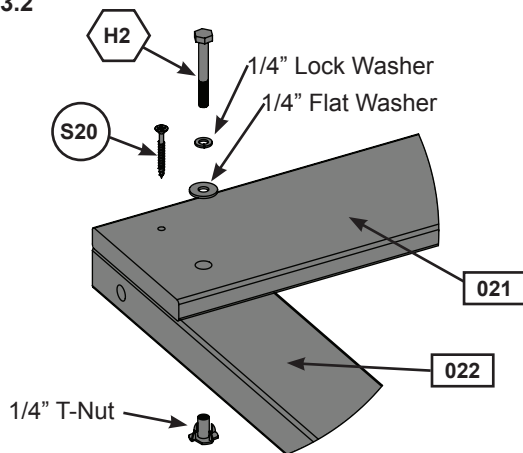
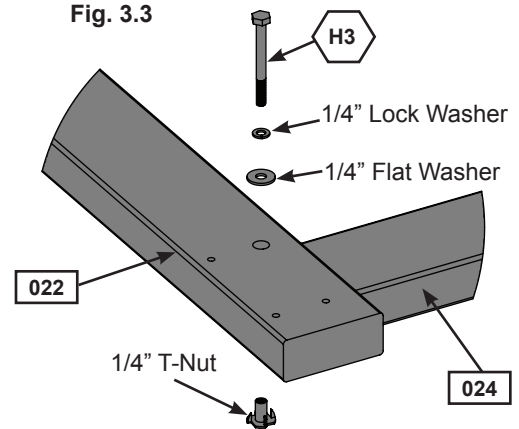


Fig. 3.3



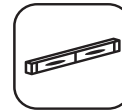
Wood Parts

- 1 x 021 Lower Front Back 5/8 x 4-1/2 x 76-7/8"
- 1 x 022 Upright Short 1-1/4 x 3 x 38"
- 1 x 023 Upright Long 1-1/4 x 3 x 61"
- 1 x 024 Floor Support Long 1-1/4 x 3 x 74-3/8"

Hardware

- 2 x H2 1/4 x 2" Hex Bolts
(1/4" lock washer, 1/4" flat washer, 1/4" t-nut)
- 2 x S20 #8 x 1-3/8" Wood Screw
- 2 x H3 1/4 x 2-1/2" Hex Bolt
(1/4" lock washer, 1/4" flat washer, 1/4" t-nut)

Step 4: Side Wall Assembly Part 1



A: With a helper hold Front and Back Wall Assemblies in position as shown in fig. 4.1.

B: Place 1 (041) Lower Side across the bottom of each end and attach using 2 (H15) 1/4 x 3-3/4" Hex Bolts (with lock washer, flat washer and t-nut) and 2 (S20) #8 x 1-3/8" Wood Screws per board making sure that the assembly is square. (fig. 4.1 and fig. 4.2)

Fig. 4.1

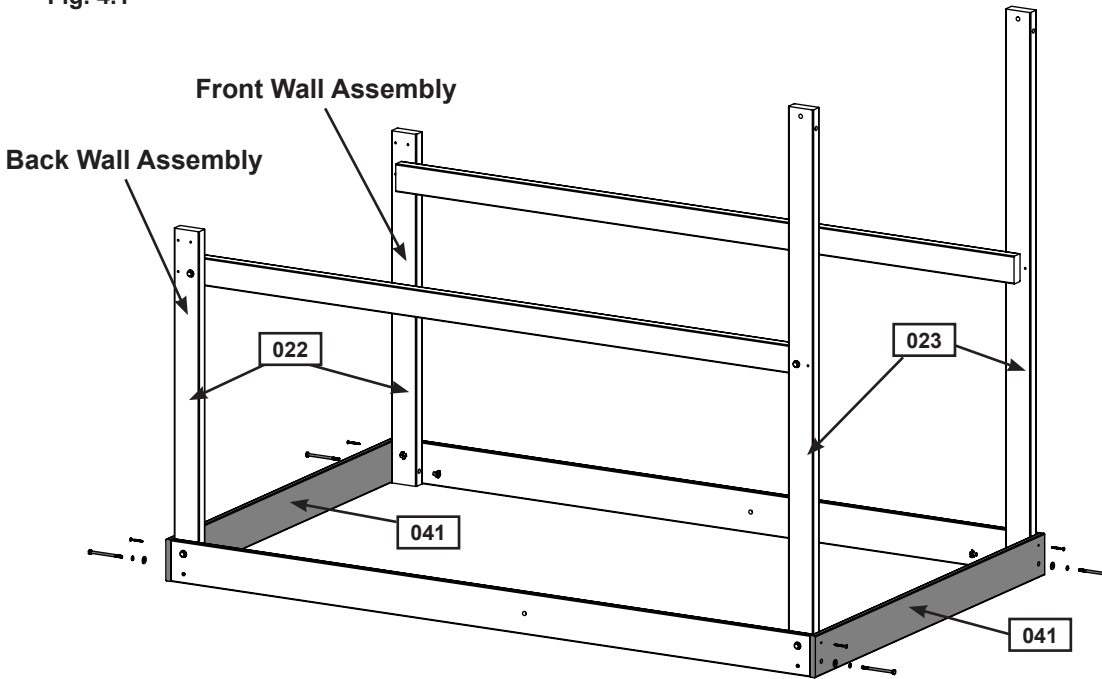
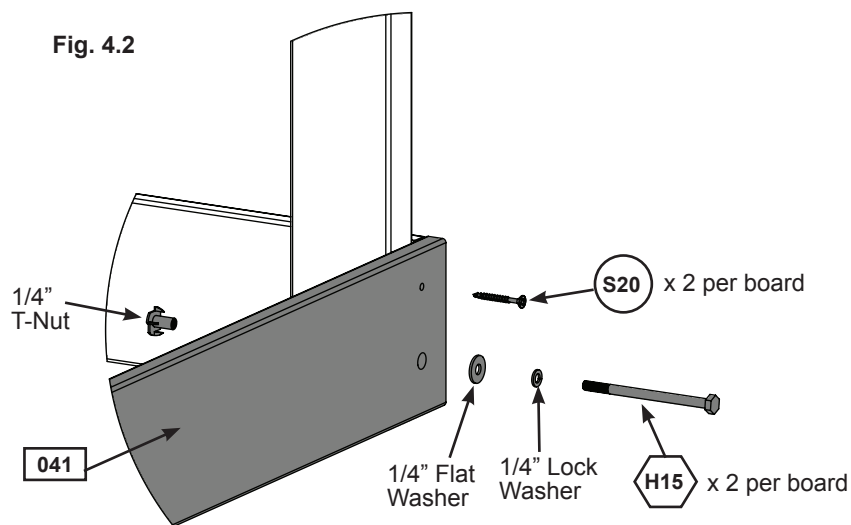


Fig. 4.2



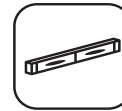
Wood Parts

2 x 041 Lower Side 5/8 x 4-1/2 x 47-3/4"

Hardware

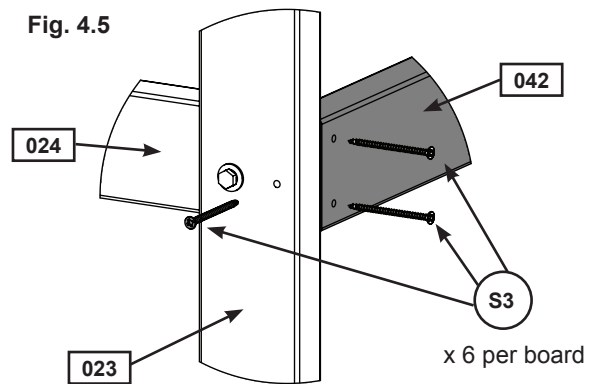
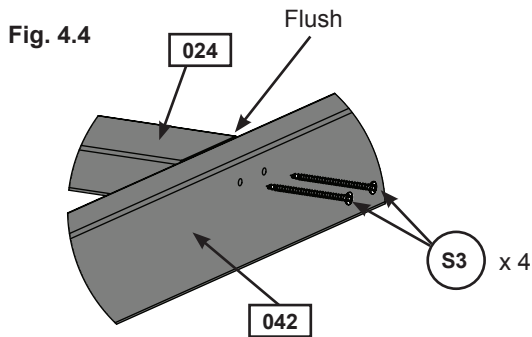
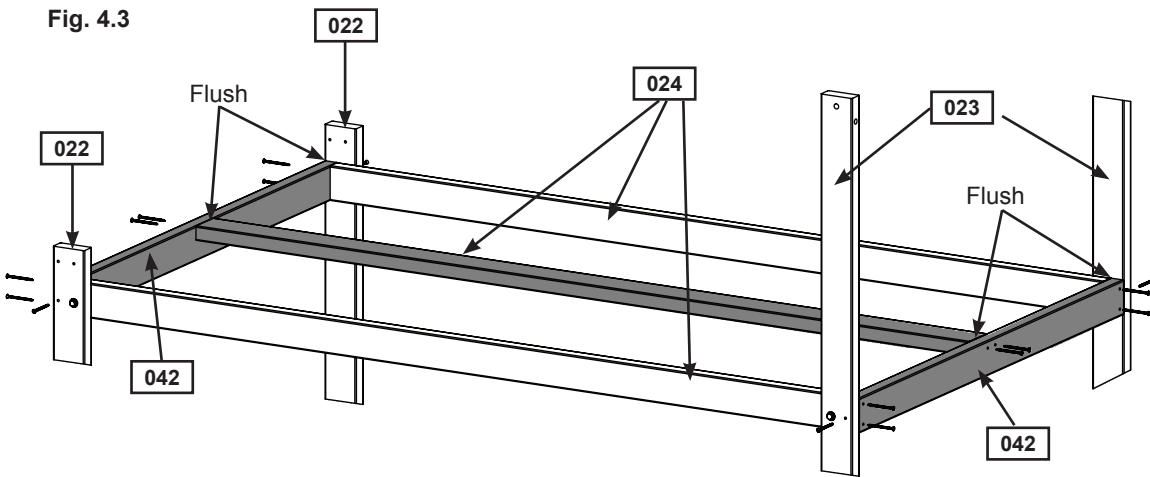
4 x H15 1/4 x 3-3/4" Hex Bolts
(1/4" lock washer, 1/4" flat washer, 1/4" t-nut)
4 x S20 #8 x 1-3/8" Wood Screw

Step 4: Side Wall Assembly Part 2



C: Place 1 (042) End Floor Support at each end of the assembly so they are flush to the (024) Floor Support Longs. Attach each (042) End Floor Support using 6 (S3) #8 x 2 -1/2" Wood Screws per board as shown in fig. 4.3 and 4.5.

D: Place 1 (024) Floor Support Long lengthwise through the center of the assembly so each end lines up with the pre-drilled holes in (042) End Floor Supports. Attach (024) Floor Support Long using 4 (S3) #8 x 2 -1/2" Wood Screws. (fig. 4.3 and fig. 4.4)



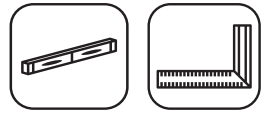
Wood Parts

- 1 x 024 Floor Support Long 1-1/4 x 3 x 74-3/8"
- 2 x 042 End Floor Support 1-1/4 x 3 x 44"

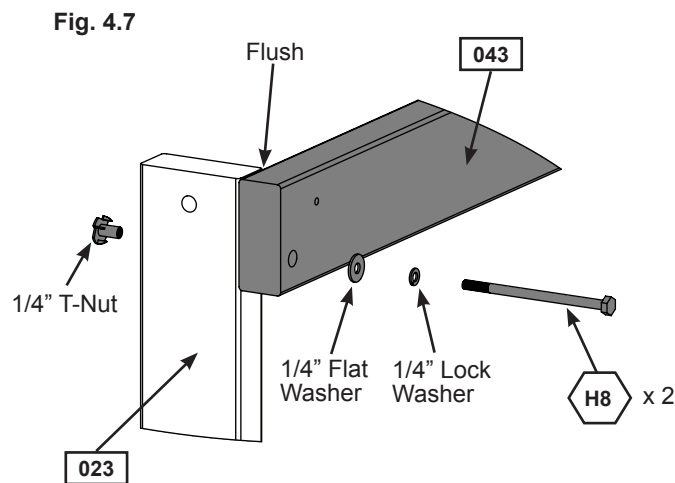
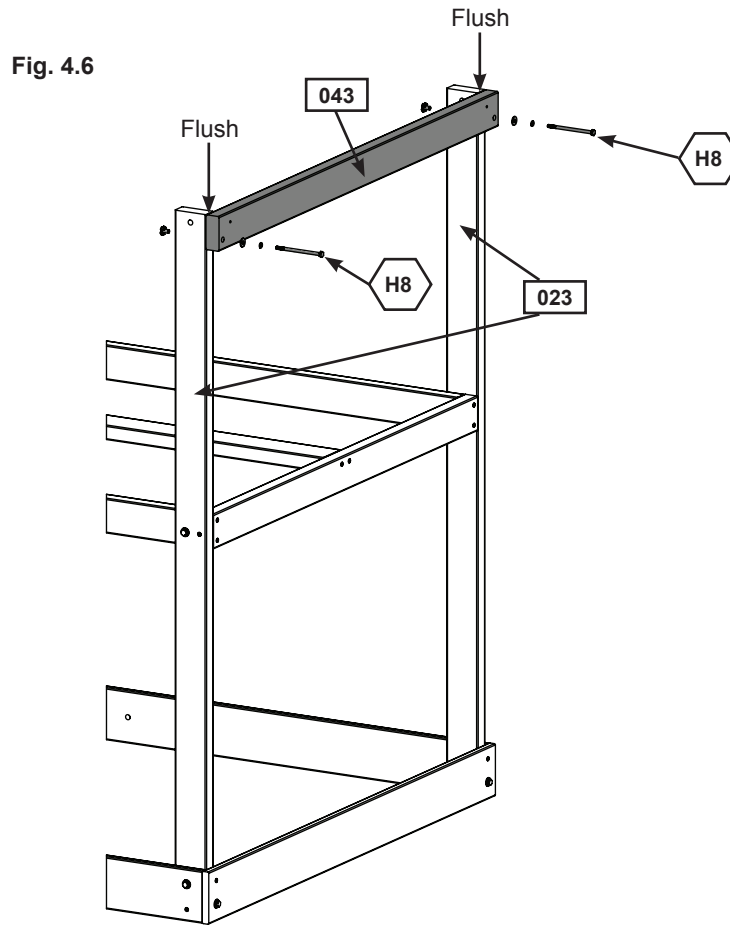
Hardware

- 16 x S3 #8 x 2-1/2" Wood Screw

Step 4: Side Wall Assembly Part 3



E: Attach (043) SL Barrier Top to (023) Upright Longs using 2 (H8) 1/4 x 4- 1/4" Hex Bolts (with lock washer, flat washer and t-nut) making sure that all boards are flush at the top. (fig. 4.6 and fig. 4.7)



Wood Parts

1 x 043 SL Barrier Top 1-1/4 x 3 x 46-1/2"

Hardware

2 x H8 1/4 x 4-1/4" Hex Bolts
(with flat washer, lock washer and t-nut)

Step 5: Floor Assembly



A: Place 1 (051) Floor Board so that it fits between the (022) Upright Shorts and is flush to the edge of (042) End Floor Support. Attach (051) Floor Board to (024) Floor Support Longs using 6 (S20) #8 x 1-3/8" Wood Screws. (fig. 5.1)

B: Evenly space the remaining 16 (051) Floor Boards and attach using 6 (S20) #8 x 1-3/8" Wood Screws per board. (fig. 5.2)

Fig. 5.1

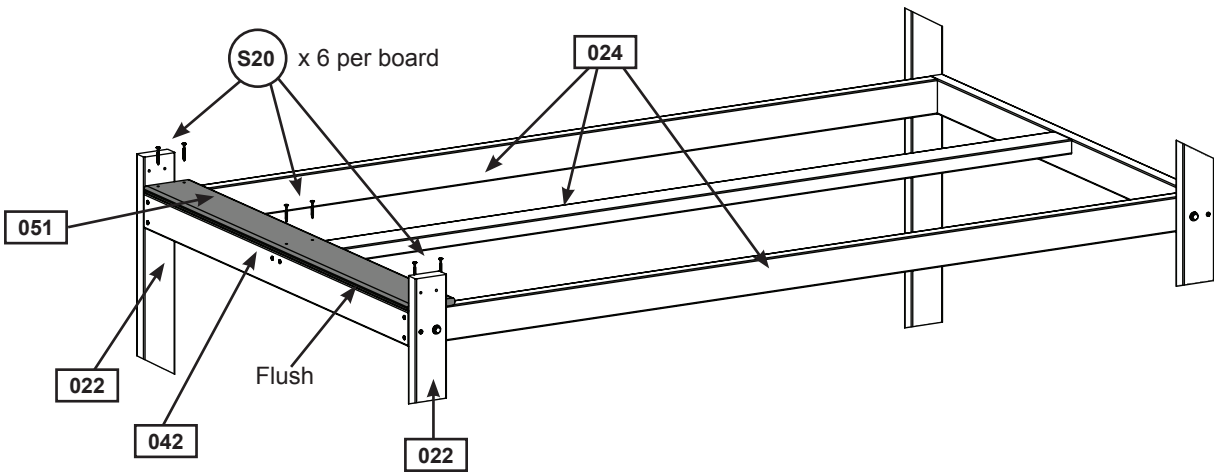
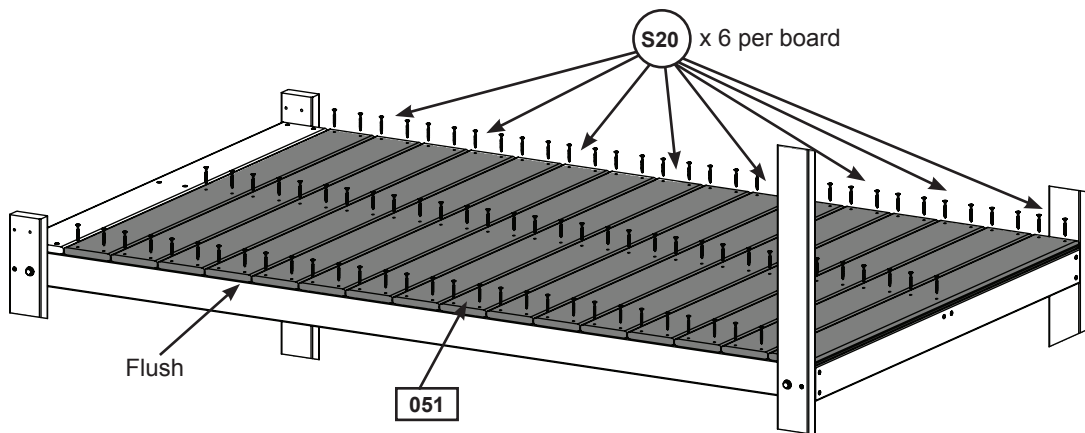


Fig. 5.2



Wood Parts

17 x 051 Floor Board 5/8 x 4-1/2 x 44"

Hardware

102 x S20 #8 x 1-3/8" Wood Screw

Step 6: Attach Gussets

A: Place 1 (061) Gusset Long so that it's flush to the outside edges of the (042) Floor End Support and the (023) Upright Long. Attach using 2 (S4) #8 x 3" Wood Screws on the inside holes and 2 (S11) #8 x 2" Wood Screws in the outer holes. (fig. 6.1 and fig. 6.2)

B: Position (062) Gusset Short so that it's flush to the edge of the (024) Floor Support Long and tight to the (061) Gusset Long as shown in fig 6.3. Attach gusset to (024) Floor Support Long using 1 (S11) #8 x 2" Wood Screw in the outer hole and 1 (S4) #8 x 3" Wood Screw in the inner hole. Attach other end of gusset to (023) Upright Long using 2 (S11) #8 x 2" Wood Screws.

C: Repeat to install gussets on the remaining 3 corners. (fig. 6.1)

Fig. 6.1

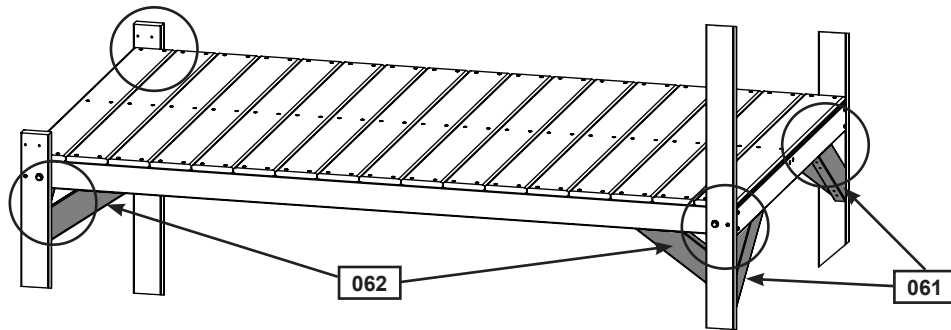


Fig. 6.2

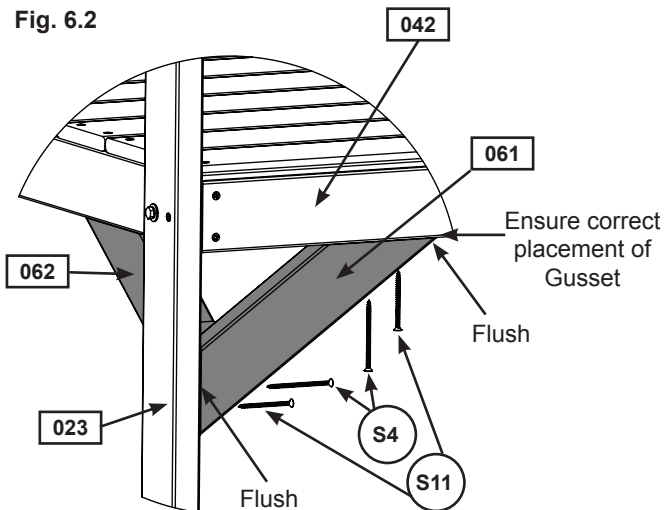
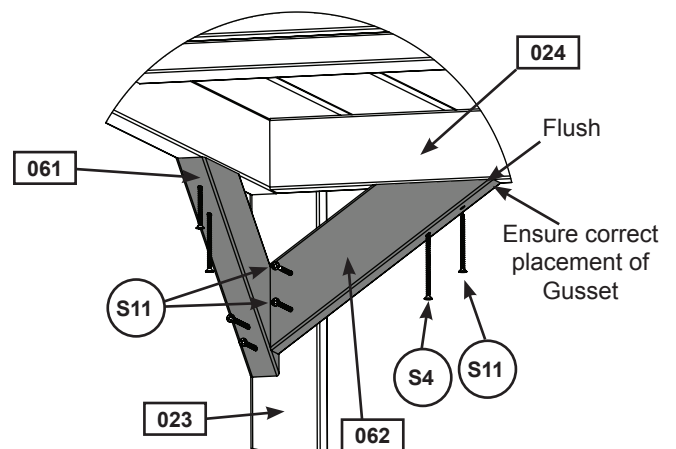


Fig. 6.3 Inside View from underneath



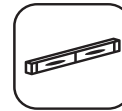
Wood Parts

- 4 x 061 Gusset Long 1-1/4 x 3 x 13-3/8"
- 4 x 062 Gusset Short 1-1/4 x 3 x 11-3/4"

Hardware

- 20 x S11 #8 x 2" Wood Screw
- 12 x S4 #8 x 3" Wood Screw

Step 7: Playhouse Assembly Part 1



A: With a helper lift (071) Panel Assembly up onto the righthand side of the playhouse floor and place it upright with the open end at the front. (fig. 7.1)

B: On the inside of (023) Upright Long, place 1 (072) Side Barrier Top so that it's tight to (043) SL Barrier and all boards are flush at the top. The other end should be tight to the (071) Panel Assembly (fig. 7.1). Attach (072) Side Barrier to (023) Upright from the outside using 1 (H3) 1/4 x 2 -1/2" Hex Bolt (with lock washer, flat washer and t-nut) and to (043) SL Barrier Top with 1 (S3) #8 x 2 - 1/2" Wood Screw (fig. 7.1 and fig. 7.2). Check that (072) Side Barrier is level then attach other end to (071) Panel Assembly from the inside using 2 (S3) #8 x 2 - 1/2" Wood Screws. (fig. 7.1, fig. 7.3 and fig. 7.4)

C: Repeat Step B to install a second (072) Barrier Top on the Back Wall. (fig. 7.1, fig. 7.2, fig. 7.3 and fig. 7.4)

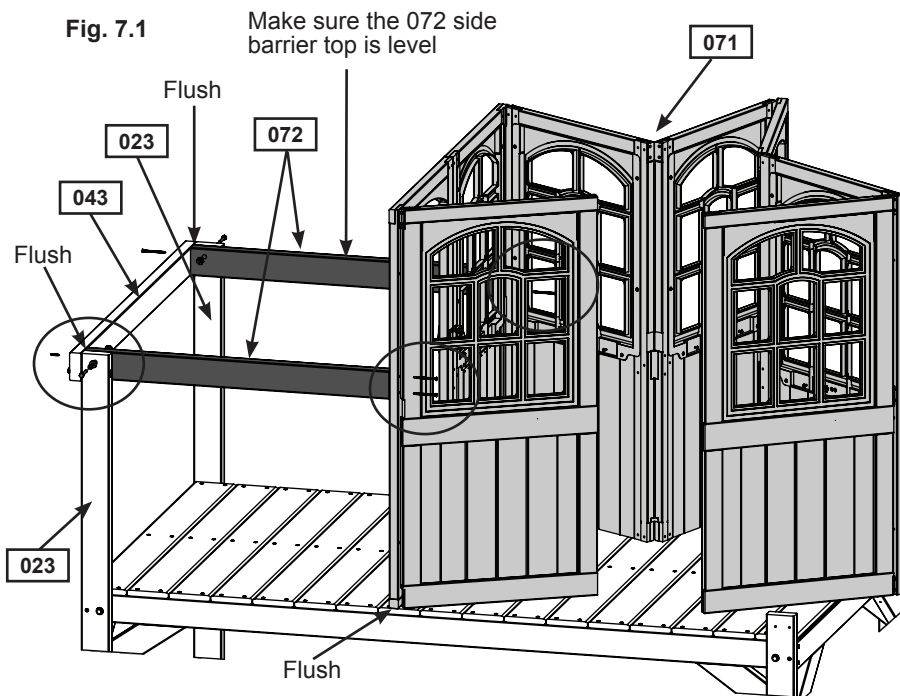


Fig. 7.2

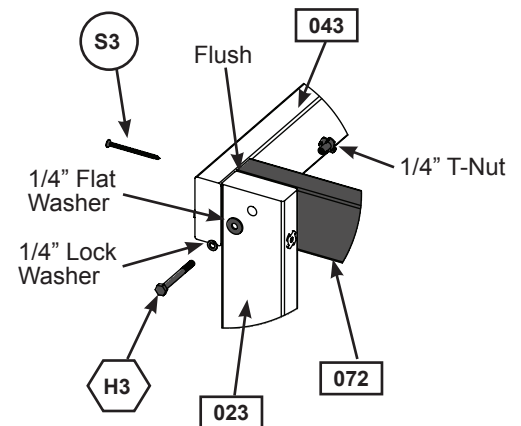


Fig. 7.3

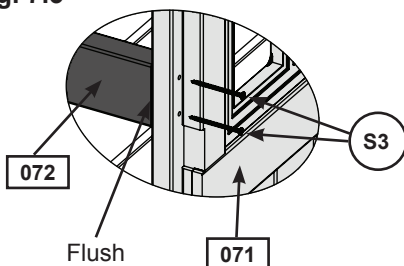
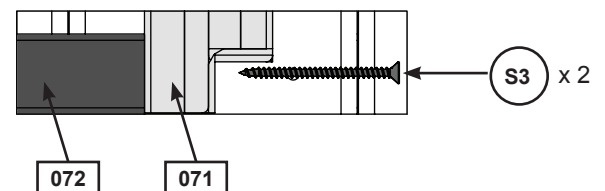


Fig. 7.4



Wood Parts

- 1 x 071 Panel Assembly 8 x 22 x 43"
- 2 x 072 Side Barrier Top 1-1/4 x 3 x 32-7/8"

Hardware

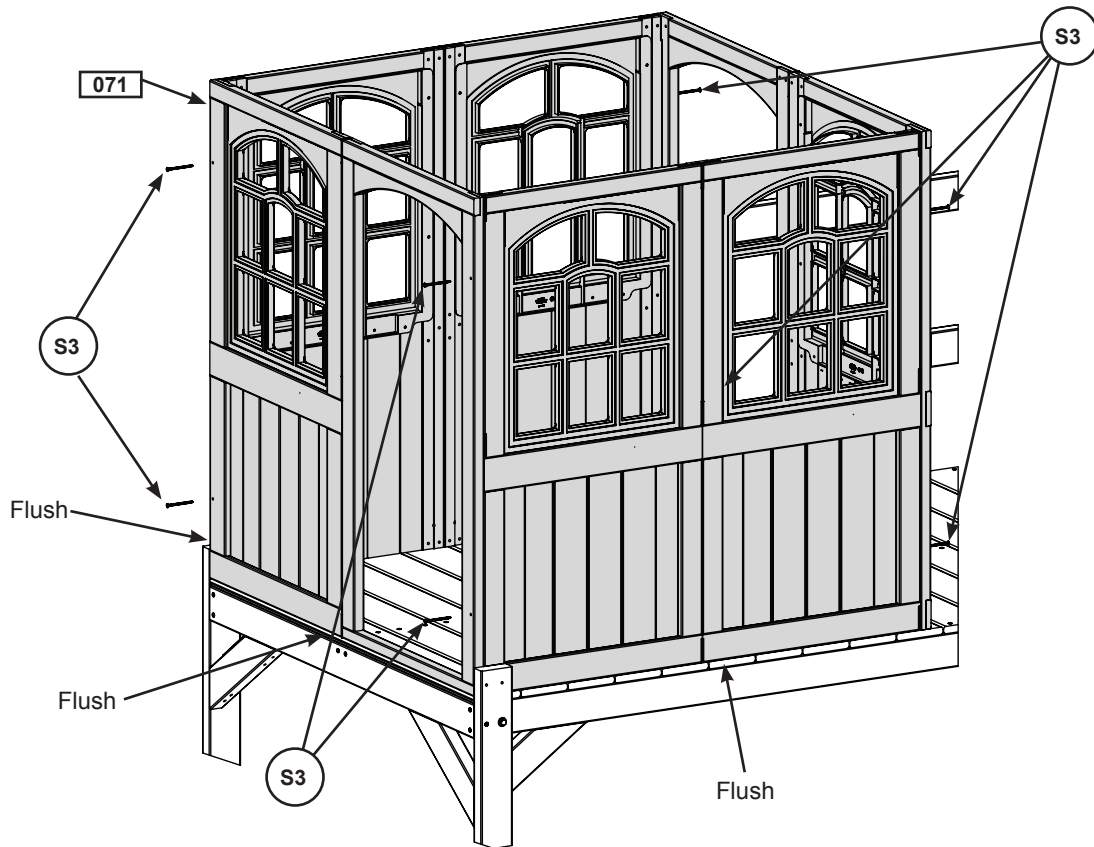
- 2 x H3 1/4 x 2-1/2" Hex Bolts
(with flat washer, lock washer and t-nut)
- 6 x S3 #8 x 2-1/2" Wood Screw

Step 7: Playhouse Assembly Part 2




D: Make sure that (071) Panel Assembly is fully open and that each wall is flush to the edges of the (051) Floor Boards. Check to ensure that the assembly is square and install 4 (S3) #8 x 2 – 1/2" Wood Screws in each end wall as shown in fig. 7.5.

Fig. 7.5



Hardware

8 x  #8 x 2-1/2" Wood Screw

Step 7: Playhouse Assembly

Part 3

E: Center 1 Corner Bracket over the partition on the inside of each end wall. Attach Corner Bracket to (071) Panel Assembly and (051) Floor Boards using 3 (S0) #8 x 7/8" Truss Screws per bracket. (fig. 7.6 and fig. 7.7)

Fig. 7.6

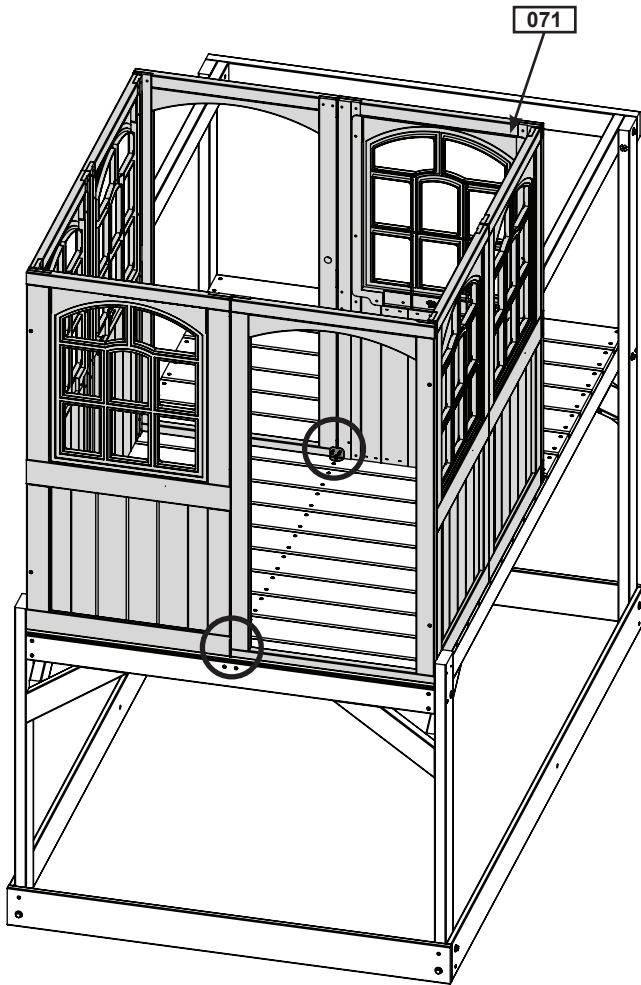
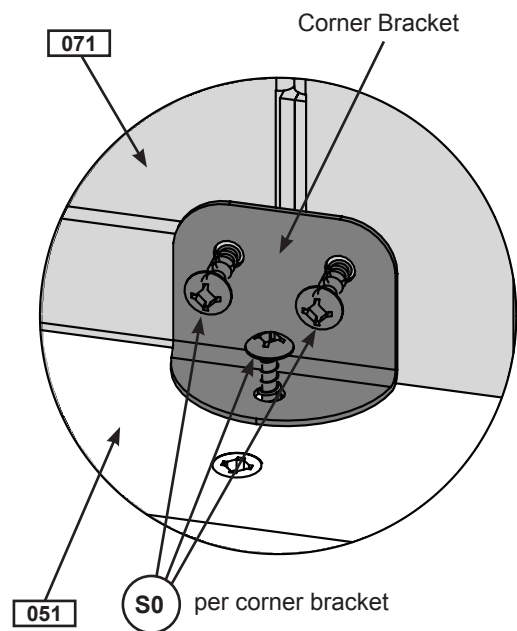


Fig. 7.7



Hardware

6 x  #8 x 7/8" Truss Screw

Other Parts

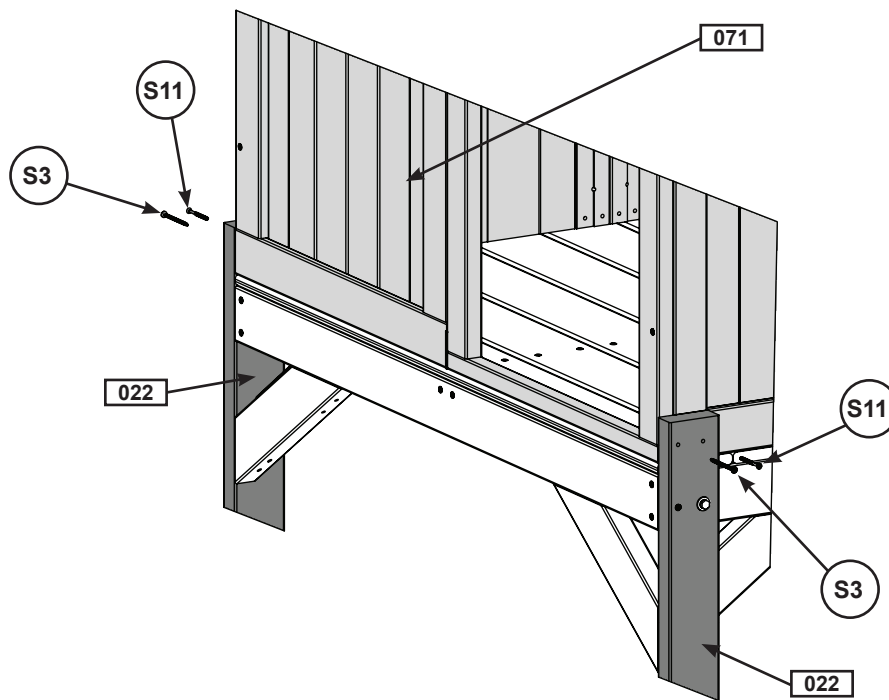
2 x Corner Bracket

Step 7: Playhouse Assembly

Part 4

F: From outside the assembly attach each (022) Upright Short to (071) Panel Assembly using 1 (S3) #8 x 2 -1/2" Wood Screw in the outside hole and 1 (S11) #8 x 2" Wood Screw for the inside hole. (fig. 7.8)

Fig. 7.8



Hardware

2 x (S11) #8 x 2" Wood Screw

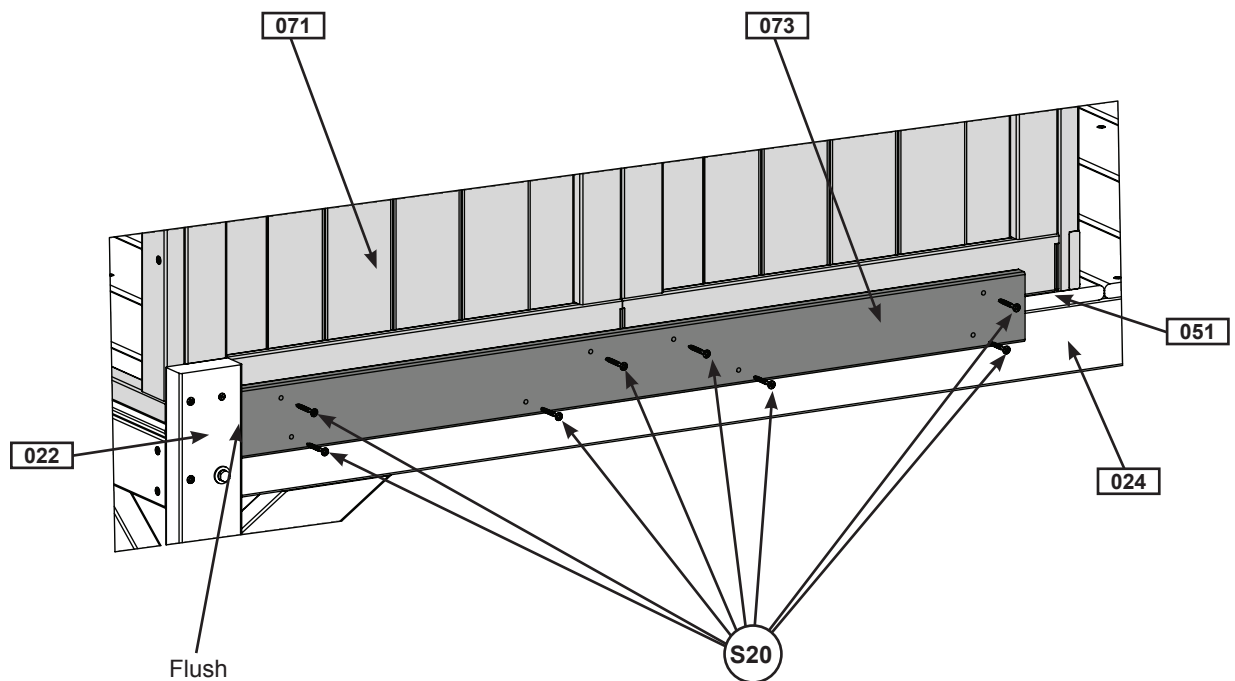
2 x (S3) #8 x 2-1/2" Wood Screw

Step 7: Playhouse Assembly

Part 5

G: On the outside Front Wall, tight to (022) Upright Short, center 1 (073) Center Tie over the bottom of (071) Panel Assembly, (051) Floor Boards and (024) Floor Support Long. Attach using 8 (S20) #8 x 1 -3/8" Wood Screws. Repeat step to install 1 Center Tie on the Back Wall. (fig. 7.9)

Fig. 7.9



Repeat step to install 1 Center Tie on the Back Wall.

Wood Parts

2 x 073 Center Tie 5/8 x 3 x 37-7/8"

Hardware

16 x S20 #8 x 1-3/8" Wood Screw

Step 7: Playhouse Assembly

Part 6



H: Taking note of hole orientation, place 1 (074) Upright Center against the end of (073) Center Tie, making sure that its flush with the edge of (071) Panel Assembly. The bottom of the board should be on the inside of (021) Lower Front Back. Attach the upper section of (074) Upright Center to the assembly using 6 (S20) #8 x 1 -3/8" Wood Screws. (fig. 7.10)

I: Place 1 (075) Upright Block so that it sits flush between (021) Lower Front Back and (074) Upright Center. From the outside install 1 (H2) 1/4 x 2" Hex Bolt (with lock washer, flat washer and t-nut) and from the inside install 2 (S20) #8 x 1 -3/8" Wood Screws. (fig. 7.10 and fig. 7.11)

J: Repeat Steps H and I to install (074) Upright Center on the Back Wall.

Fig. 7.10

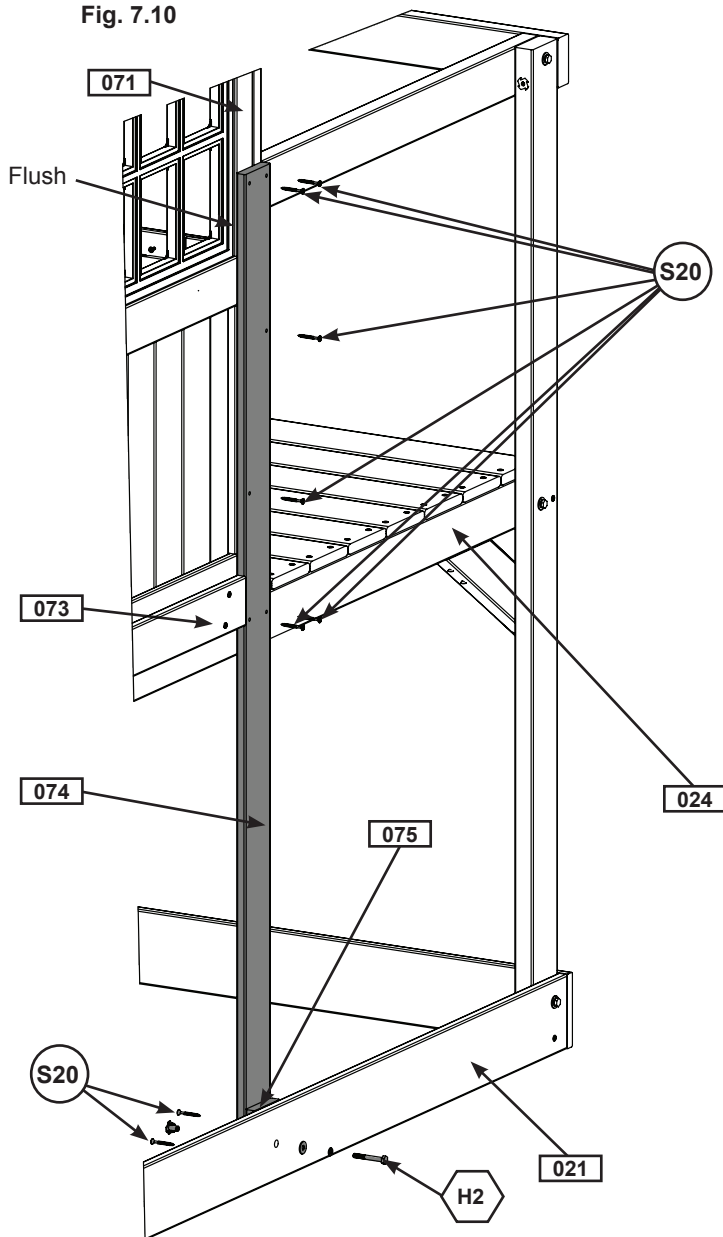
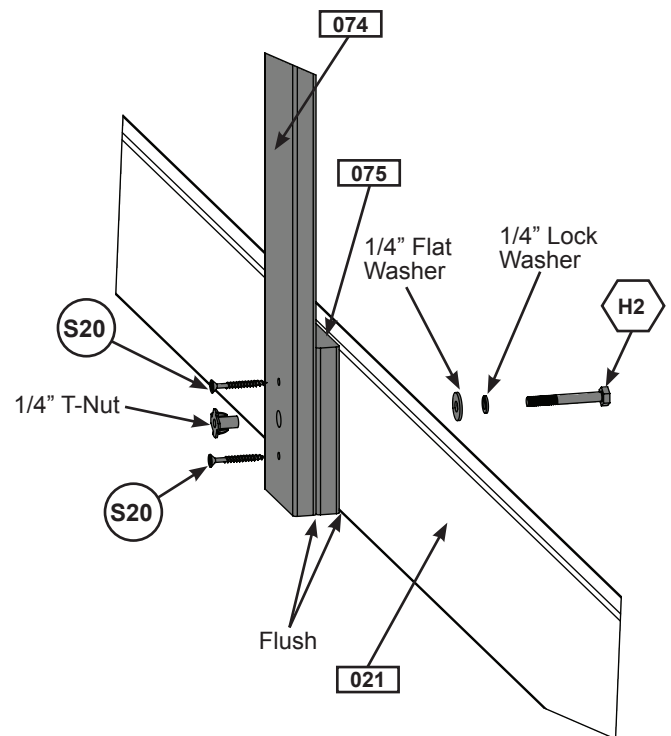


Fig. 7.11 Inside View



Repeat Steps H and I to install (074) Upright Center on the Back Wall.

Wood Parts

- 2 x 074 Upright Center 5/8 x 3 x 61"
- 2 x 075 Upright Block 5/8 x 3 x 4-1/2"

Hardware

- 16 x S20 #8 x 1-3/8" Wood Screw
- 2 x H2 1/4 x 2" Hex Bolts
(with flat washer, lock washer and t-nut)

Step 7: Playhouse Assembly Part 7



K: From inside the assembly on the back wall, measure 15" (381mm) up from the floor boards and center 1 Flat Panel Bracket over the partition. Attach using 4 (S0) #8 x 7/8" Truss Screws. (fig. 7.12 and fig. 7.13)

Fig. 7.12

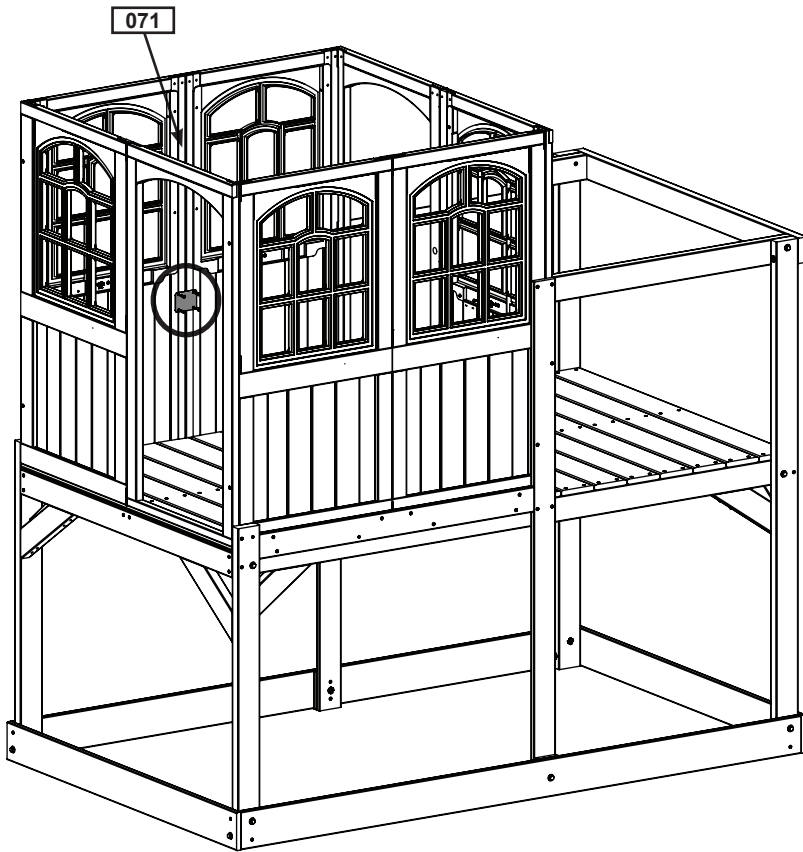
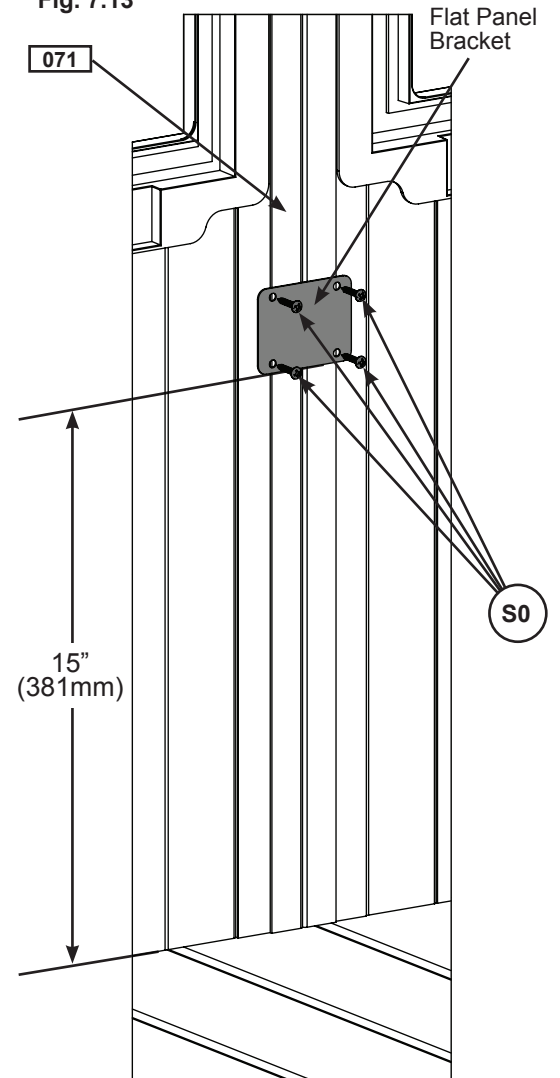


Fig. 7.13



Hardware
4 x (S0) #8 x 7/8" Truss Screw

Other Parts
1 x Flat Panel Bracket

Step 8: Deck Wall Assembly Part 1



A: On the front and back deck walls, evenly space and install 5 (081) SL Barriers using 4 (S20) #8 x 1-3/8" Wood Screws per board, making sure that all boards are flush to the top of (072) Side Barriers. There should be a 63.5mm space between each board. (fig. 8.1, fig. 8.2 and fig. 8.3)

Fig. 8.1

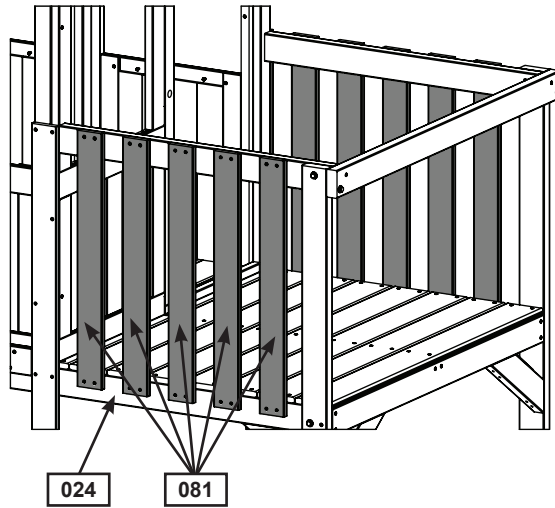


Fig. 8.2

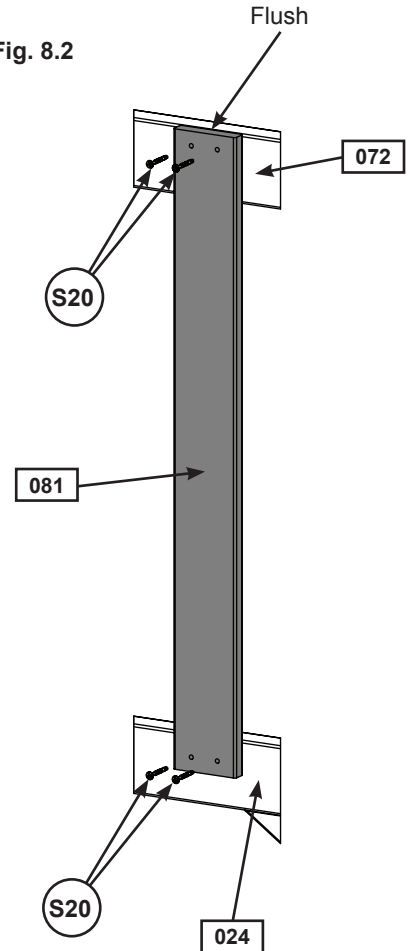
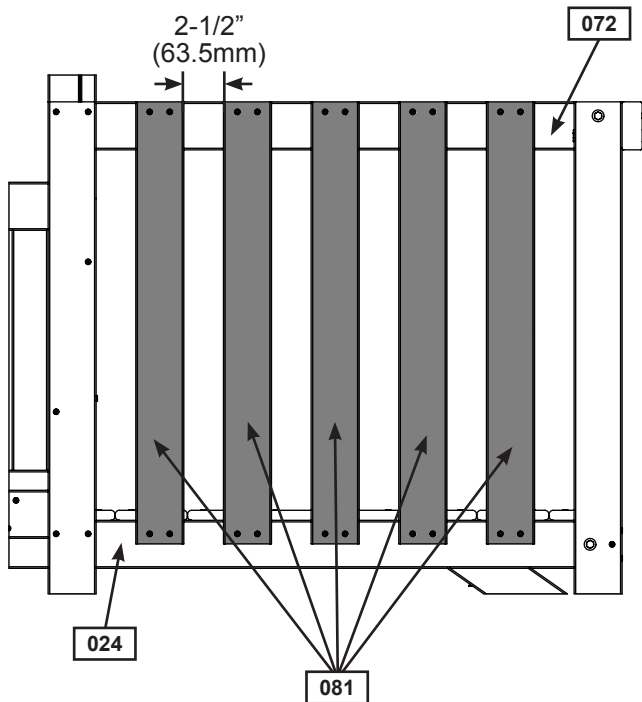


Fig. 8.3



Wood Parts

10 x **081** SL Barrier 5/8 x 3 x 27-5/8"

Hardware

40 x **S20** #8 x 1-3/8" Wood Screw

Step 8: Deck Wall Assembly Part 2



B: On the End Wall of the Deck Assembly measure 84mm in from the (022) Upright Shorts and install 1 (082) End Barrier per side, making sure that the notched out end is at the bottom and fits over (042) End Floor Support and that the top of the board is behind (043) SL Barrier Top. Attach each board at the top from the inside and at the bottom from the outside using 4 (S20) #8 x 1-3/8" Wood Screws per board. (fig. 8.4 and fig. 8.5)

C: Maintaining the measurement of 84mm install 1 more (082) End Barrier per side. (fig. 8.6)

Note: Measurement between boards cannot exceed 84mm.

Fig. 8.4

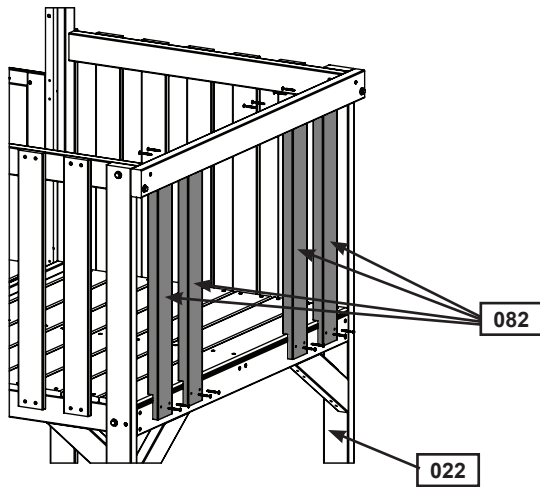


Fig. 8.5

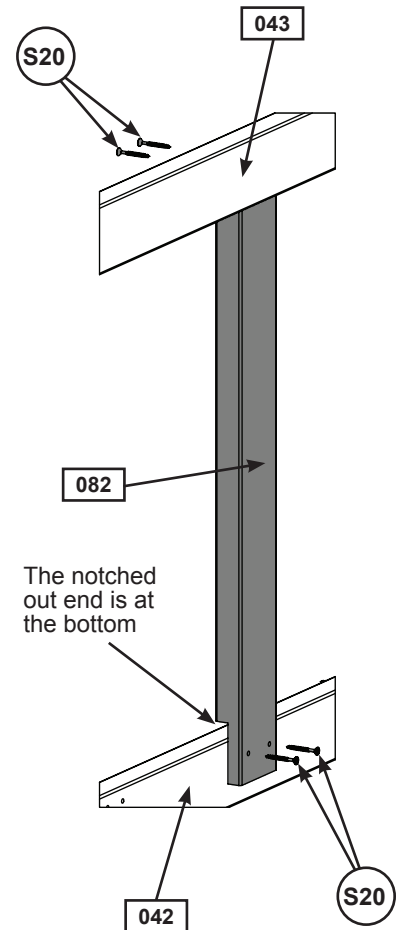
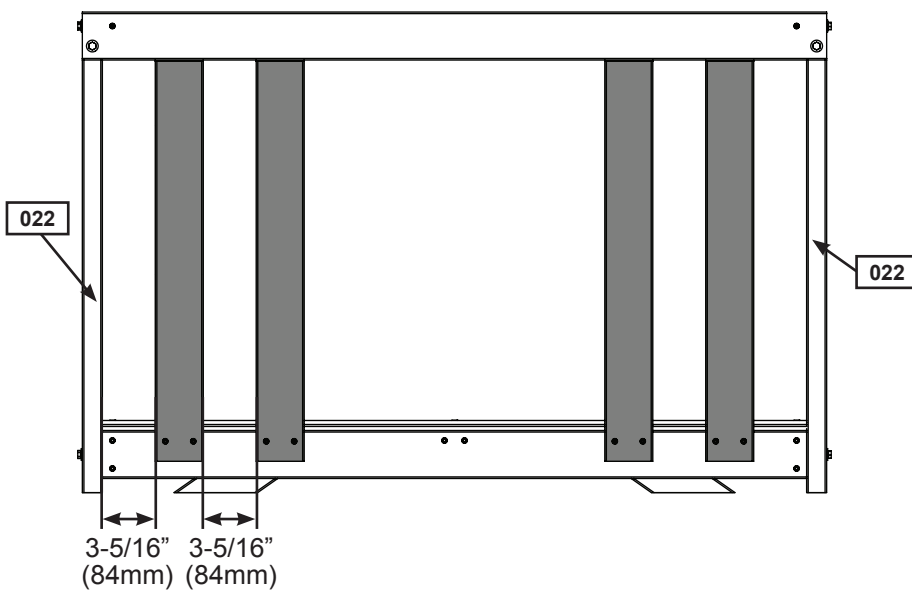


Fig. 8.6



Wood Parts

4 x **082** End Barrier 1-1/4 x 3 x 27-5/8"

Hardware

16 x **S20** #8 x 1-3/8" Wood Screw

Step 9: Soffit Assembly

A: Center (092) End Wall Soffits on each end of (071) Panel Assembly, making sure that they are flush to the inside wall. Attach each soffit using 4 (S11) #8 x 2" Wood Screws. (fig. 9.1 and fig. 9.2)

B: Place (091) Side Wall Soffits along the top of the front and back walls ensuring that they are flush to the inside wall. Attach using 4 (S11) #8 x 2" Wood Screws per board. (fig. 9.1 and fig. 9.2)

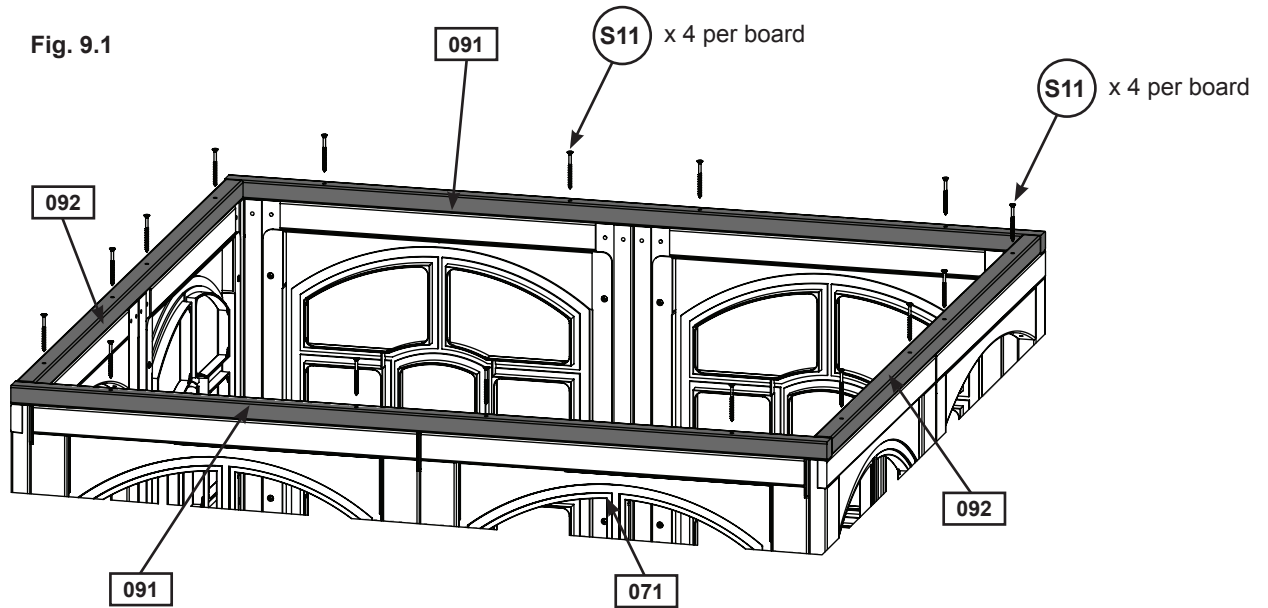
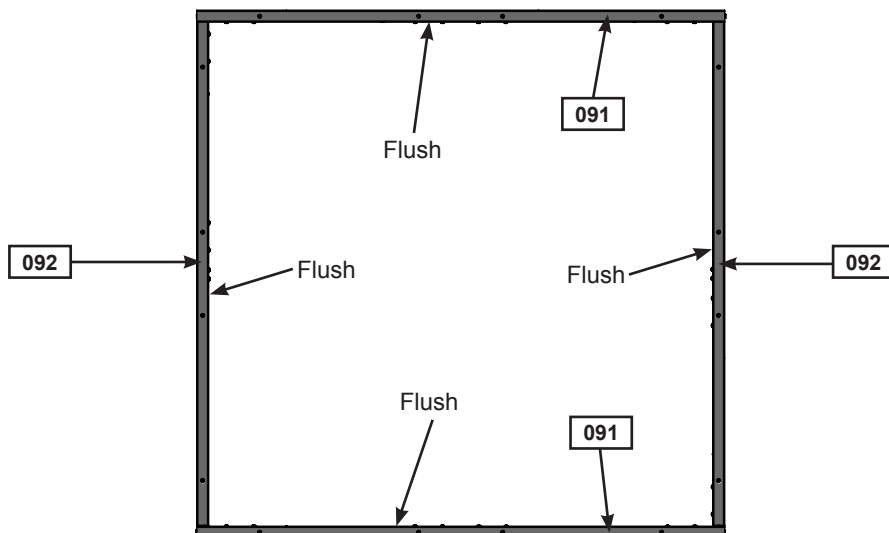


Fig. 9.2 Top View



Wood Parts

- 2 x 091 Side Wall Soffit 1 x 1 x 44"
- 2 x 092 End Wall Soffit 1 x 1 x 41-7/8"

Hardware

- 16 x S11 #8 x 2" Wood Screw

Step 10: Roof Assembly

Part 1

A: Open Superfold Roof and place it into position over (071) Panel Assembly. (fig. 10.1, fig. 10.2, and fig. 10.3)

B: Attach Roof to each (092) End Wall Soffit using 2 (S11) #8 x 2" Wood Screws per side. (fig. 10.3 and fig. 10.4.)

Fig. 10.1

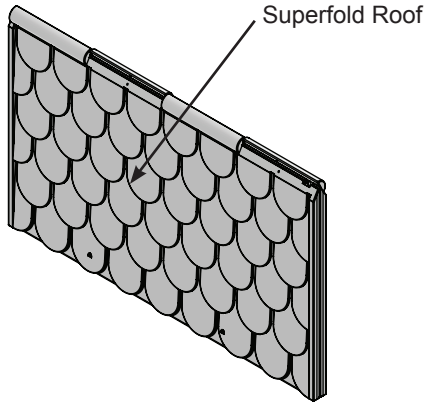


Fig. 10.2

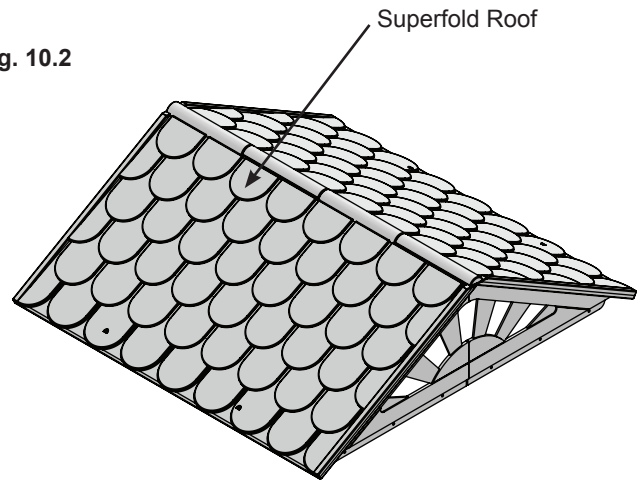


Fig. 10.3

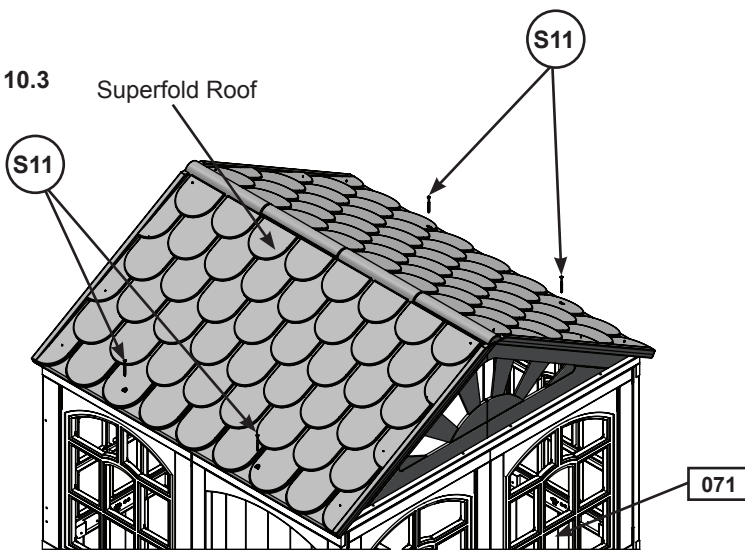
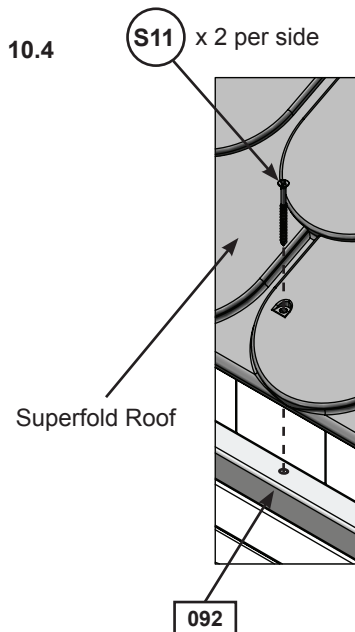


Fig. 10.4



Hardware

4 x (S11) #8 x 2" Wood Screw

Other Parts

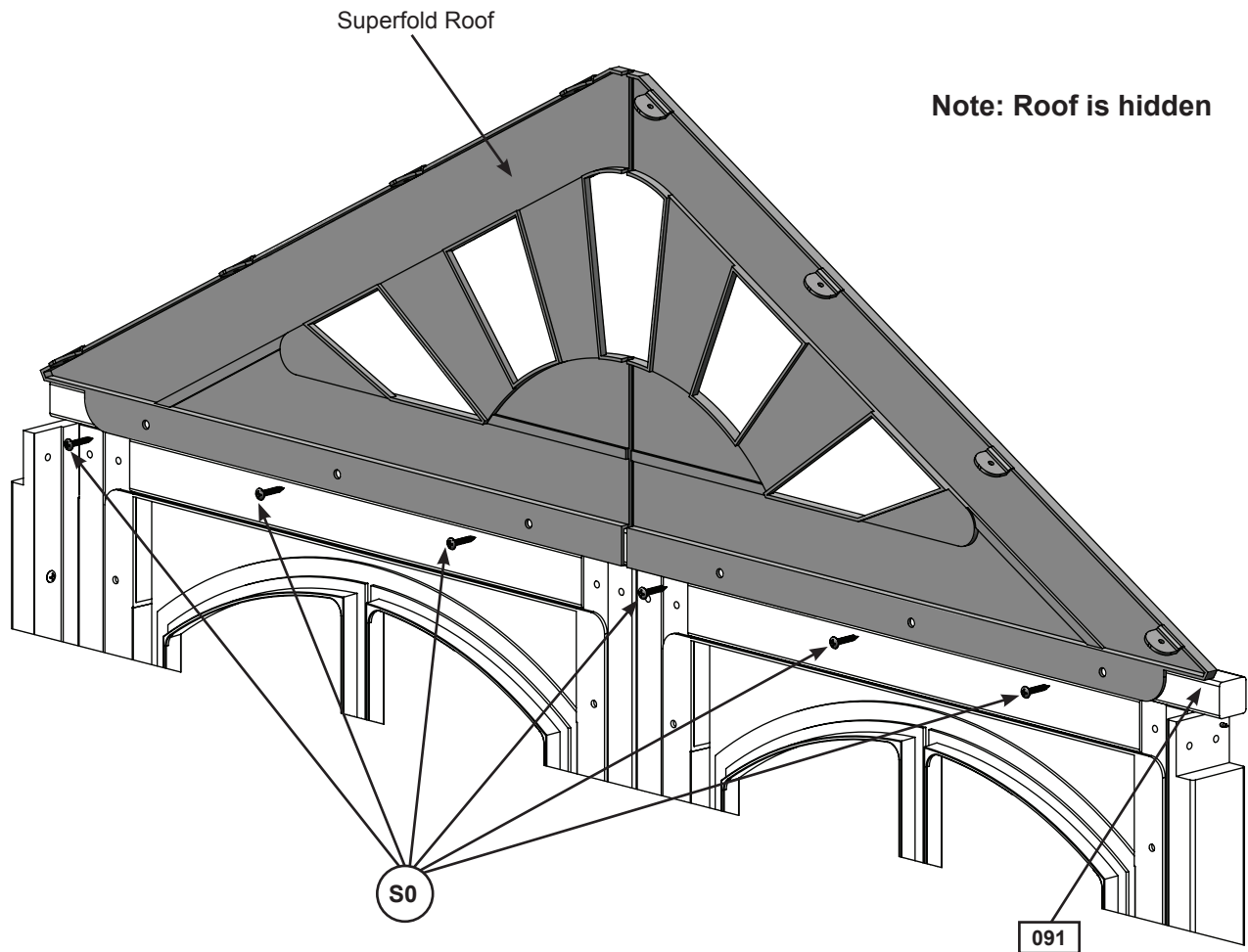
1 x Superfold Roof

Step 10: Roof Assembly

Part 2

C: On each end of the Superfold Roof attach the bottom of the Sunburst to (091) Side Wall Soffit using 6 (S0) #8 x 7/8" Truss Screws per side. (fig. 10.5)

Fig. 10.5



Repeat Step C for the Other Side.

Hardware

12 x  #8 x 7/8" Truss Screw

Step 11: Access Ladder Assembly



- A:** Place (112) Left Access on one side of 3 (113) Treads and (111) Right Access on the other side with the grooves facing in. (fig. 11.1)
- B:** Fit each (113) Tread into grooves on both (111) and (112) Access Rails, making sure the top edge of the (113) Treads are flush to the front of the Access rails. (fig. 11.1 and fig. 11.2)
- C:** Pre-drill pilot holes with a 1/8" drill bit and attach rails and treads together using 4 (S3) #8 x 2-1/2" Wood Screws per tread. (fig. 11.1)
- D:** Place (114) Ladder Gap on each access rail so there is a 1-1/2" (38mm) gap between (114) Ladder Gap and the top (113) Tread. Attach using 4 (S20) #8 x 1-3/8" Wood Screws. (fig. 11.3)

Fig. 11.1

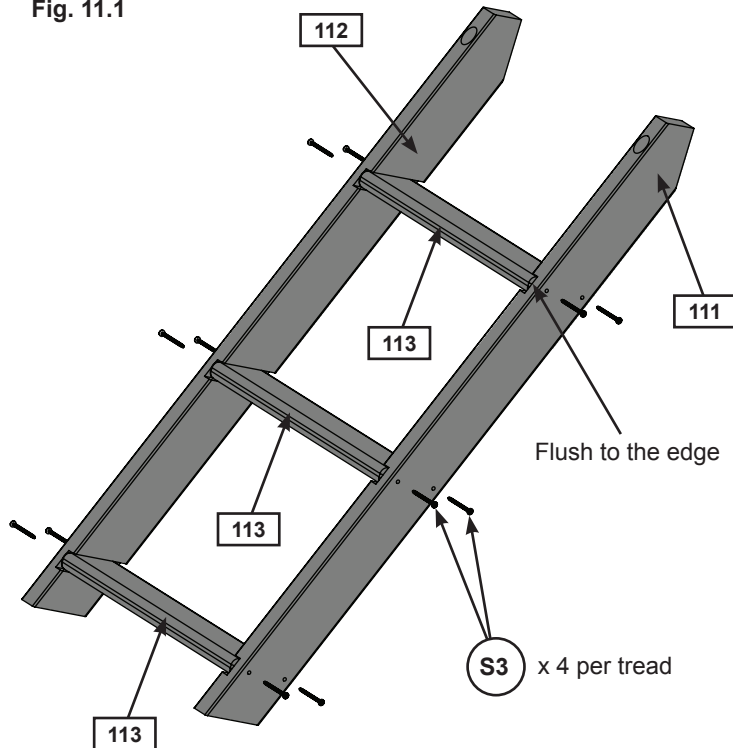


Fig. 11.2

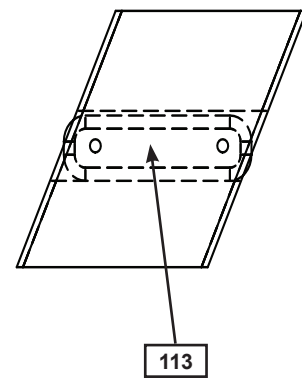
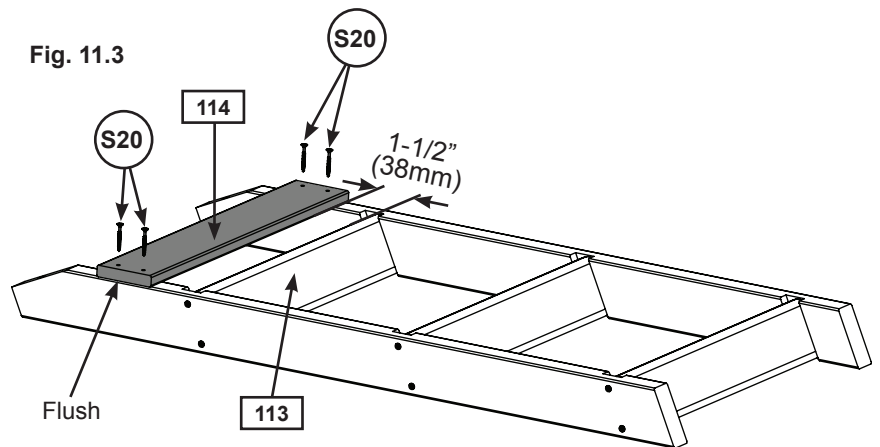


Fig. 11.3



Wood Parts

- 1 x 111 Right Access 1-3/8 x 3 x 39-7/8"
- 1 x 112 Left Access 1-3/8 x 3 x 39-7/8"
- 3 x 113 Tread 1 x 3-1/4 x 19-1/4"
- 1 x 114 Ladder Gap 5/8 x 3-1/4 x 20-3/4"

Hardware

- 4 x S20 #8 x 1-3/8" Wood Screw
- 12 x S3 #8 x 2-1/2" Wood Screw

Step 12: Attach Access Ladder to Deck



A: Place Access Ladder against (042) End Floor Support so that it's centered in the opening and flush to the top of the board. Pre-drill using a 1/8" drill bit and attach using 2 (LS2) 1/4 x 2-1/2" Hex Lag Screw (with 1/4" Flat Washer). (fig. 12.1 and fig. 12.2)

Fig. 12.1

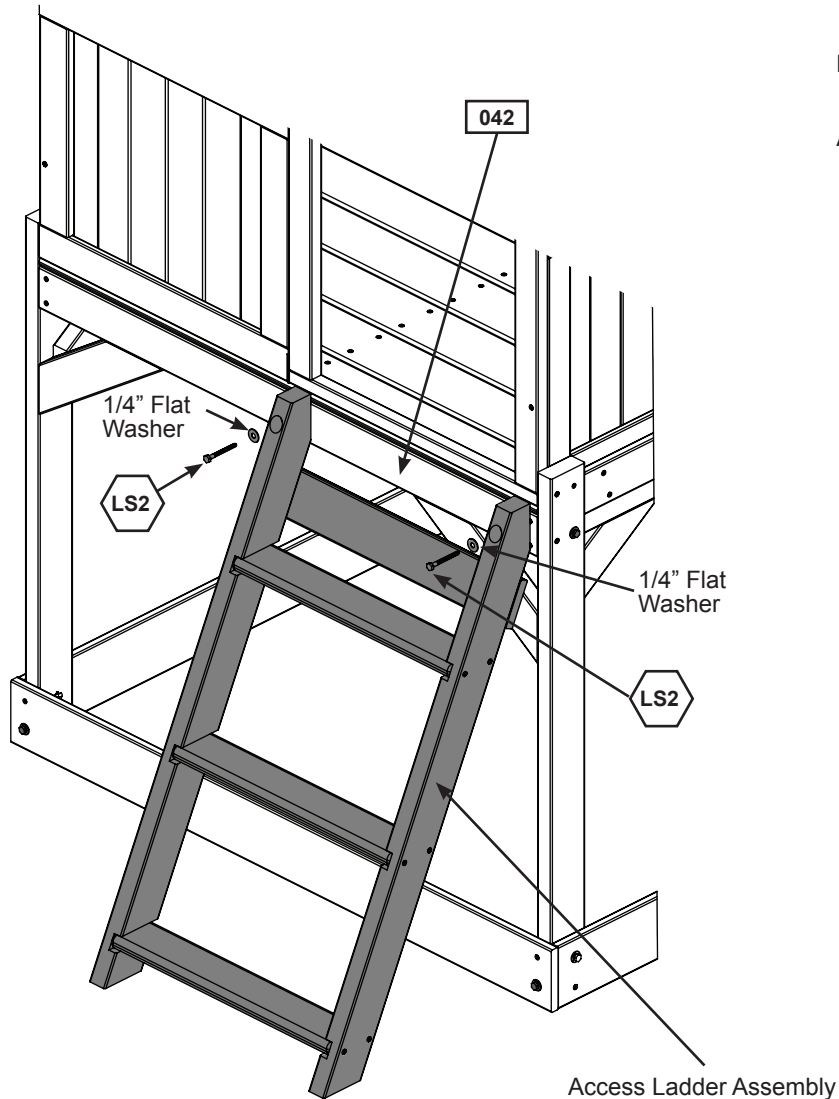
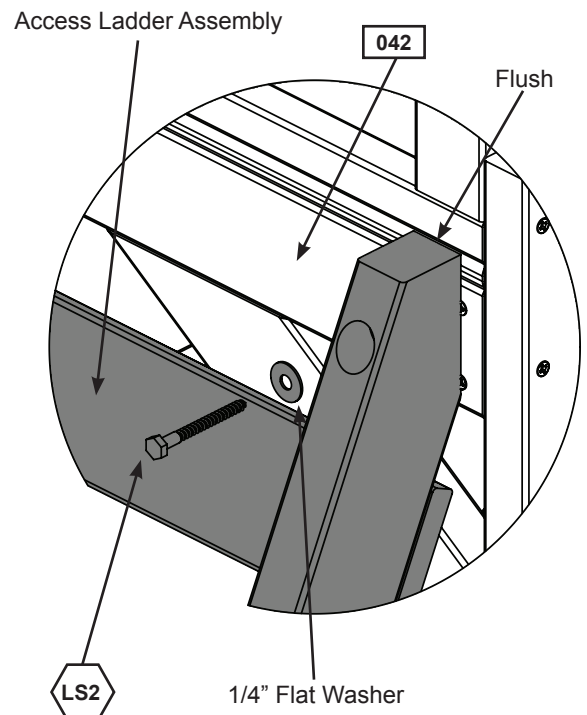



Fig. 12.2



Hardware

2 x  1/4 x 2-1/2" Hex Lag Screw (with 1/4" Flat Washer)

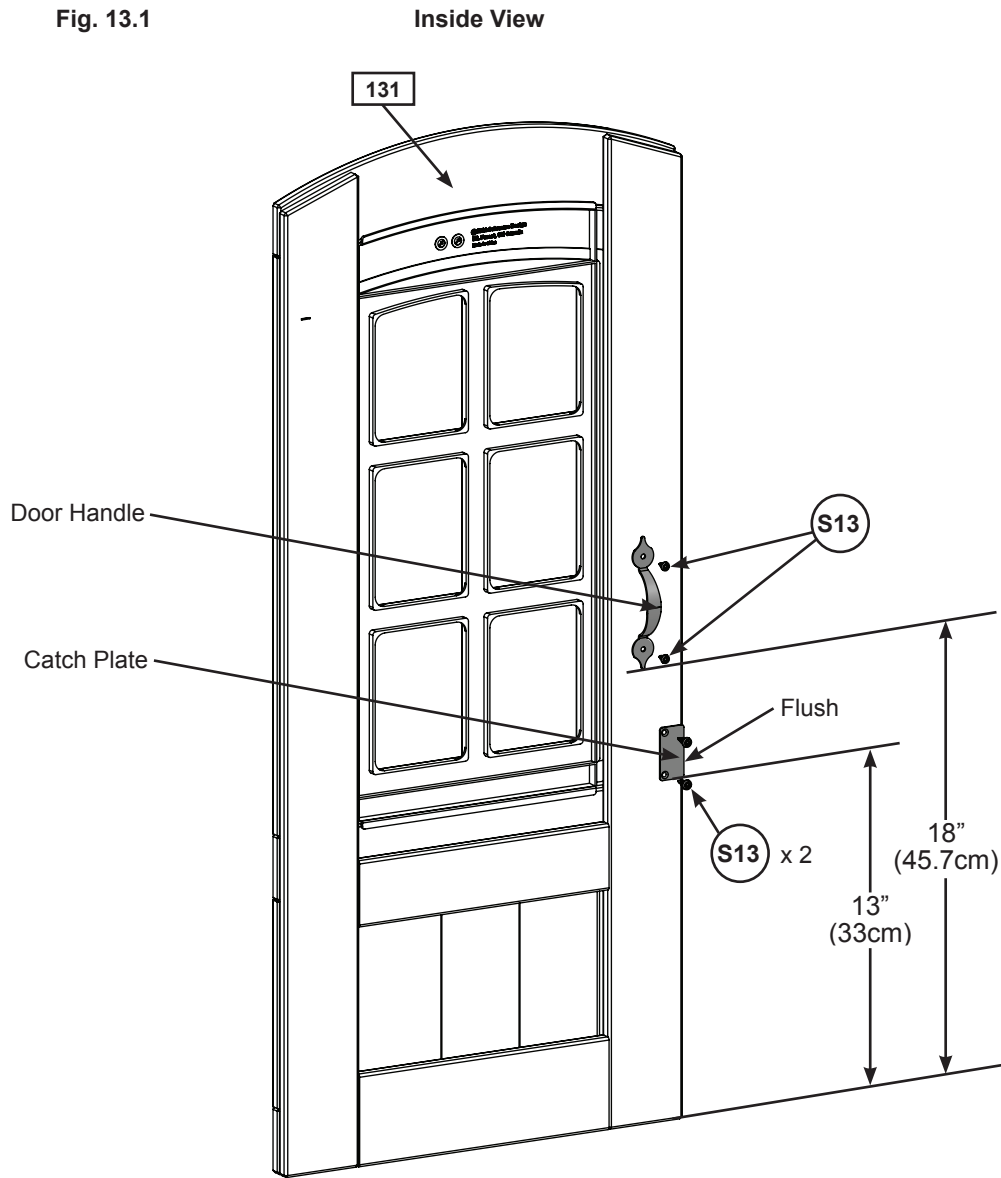
Step 13: Attach Door Components



Part 1

A: On the inside of (131) Door measure 13" up from the bottom and attach Catch Plate flush to the edge using 2 (S13) #6 x 5/8" Pan Screws. (fig. 13.1)

B: On the inside of (131) Door measure 18" up from the bottom and attach 1 Door Handle using 2 (S13) #6 x 5/8" Pan Screws. (fig. 13.1)



Wood Parts

1 x 131 Door 1 x 16-3/4 x 38-3/8"

Hardware

4 x S13 #6 x 5/8" Pan Screw

Other Parts

1 x Door Handle
1 x Catch Plate

Step 13: Attach Door Components

Part 2



C: On the outside of the (131) Door attach the second Door Handle at approximately the same place as the one on the inside. Use 2 (S13) #6 x 5/8" Pan Screws. (fig. 13.3)

D: On the opposite side from the Door Handle, measure 2 -1/2" from the top and bottom of (131) Door and attach 2 Door Hinges on the outside using 3 (S13) #6 x 5/8" Pan Screws per Hinge. **Note: Hinge stops must be tight to (131) Door.** (fig. 13.2, fig. 13.3 and fig. 13.4)

Fig. 13.2

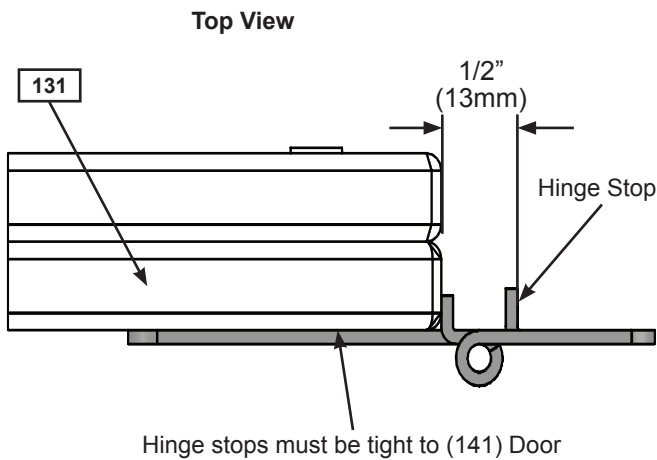


Fig. 13.3

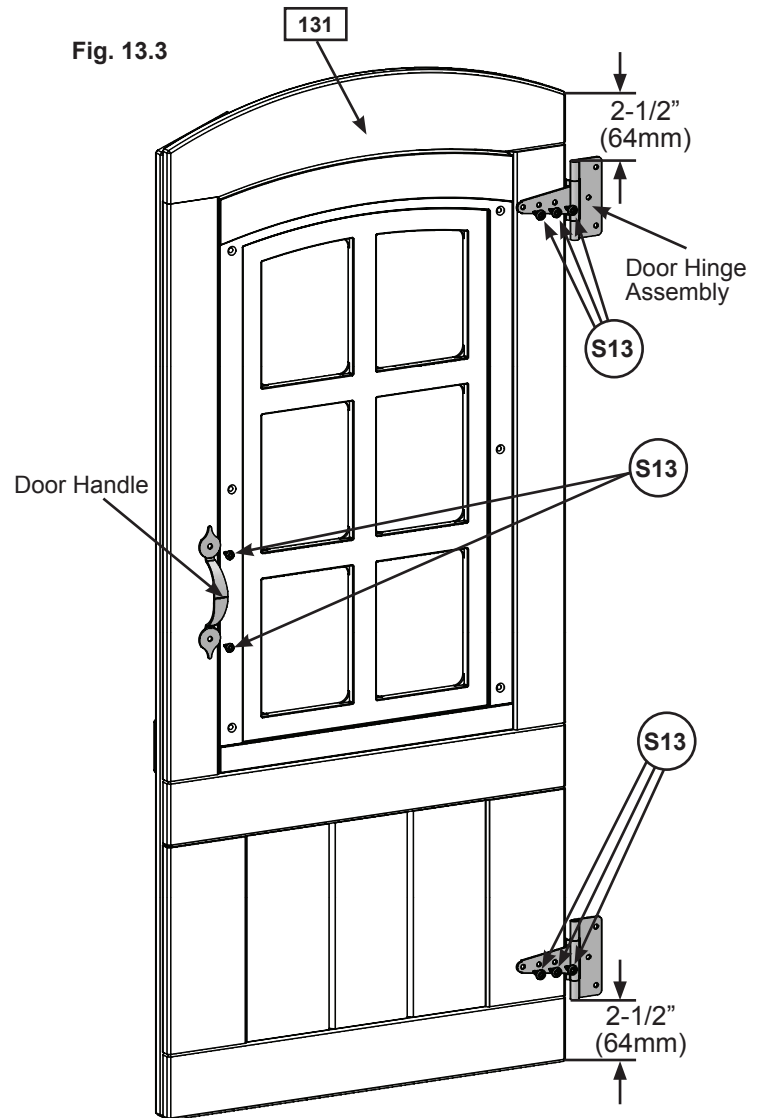
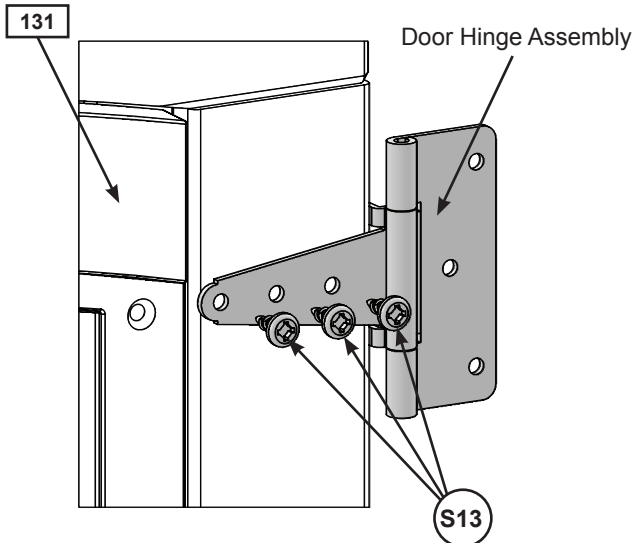


Fig. 13.4



Hardware

8 x (S13) #6 x 5/8" Pan Screw

Other Parts

1 x Door Handle
2 x Door Hinge Assembly

Step 13: Attach Door Components

Part 3



E: In the opening for the door, measure 5/8" from the top of the bottom door frame and maximum 5/8" from right side of the opening which would be the Door Hinge side and attach the remaining side of the hinges to (071) Panel Assembly using 3 (S13) #6 x 5/8" Pan Screws per hinge. (fig. 13.5, fig. 13.6 and fig. 13.7)

Fig. 13.5

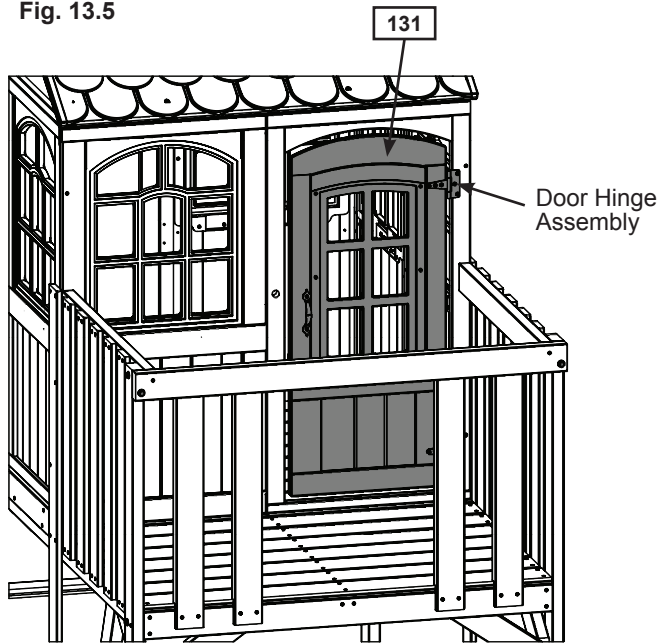


Fig. 13.6 Outside View

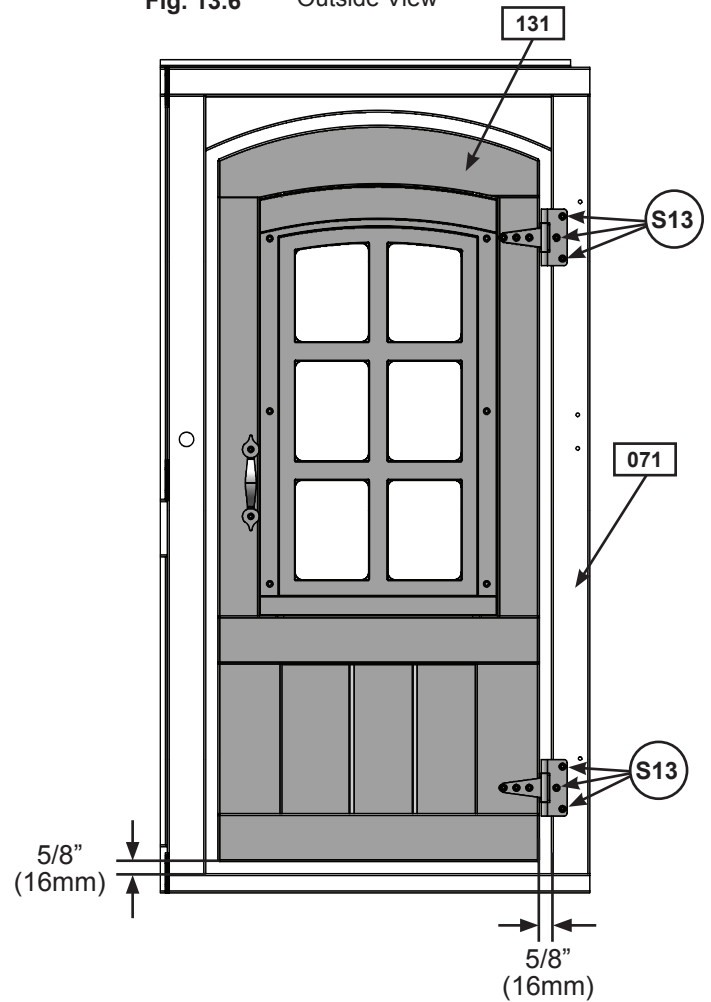
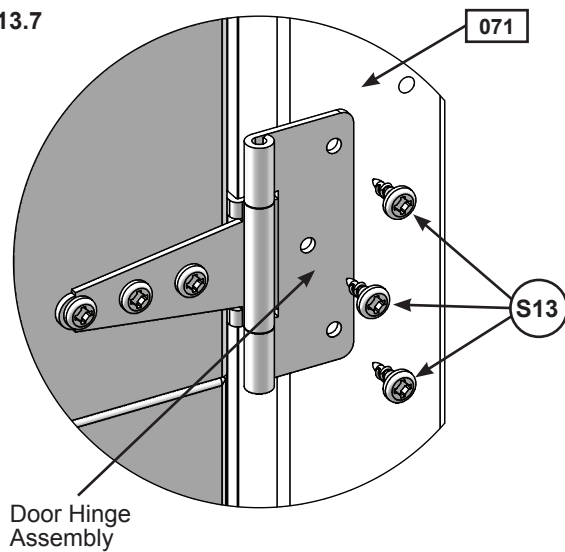


Fig. 13.7



Hardware

6 x (S13) #6 x 5/8" Pan Screw

Step 13: Attach Door Components

Part 4



F: In the notched out opening of (132) Door Stop attach the Magnetic Catch using 2 (S18) #6 x 1" Wood Screws. (fig. 13.9) **Important: Use a hand held screw driver and DO NOT over tighten.**

G: On the inside of the assembly, attach (132) Door Stop to (071) Panel Assembly with 2 (S15) #8 x 1-3/4" Wood Screws, making sure (132) Door Stop overhangs (071) Panel Assembly by 1-1/4" and is in position to receive the Catch Plate. (fig. 13.8 and fig. 13.10)

Fig. 13.8
Inside View

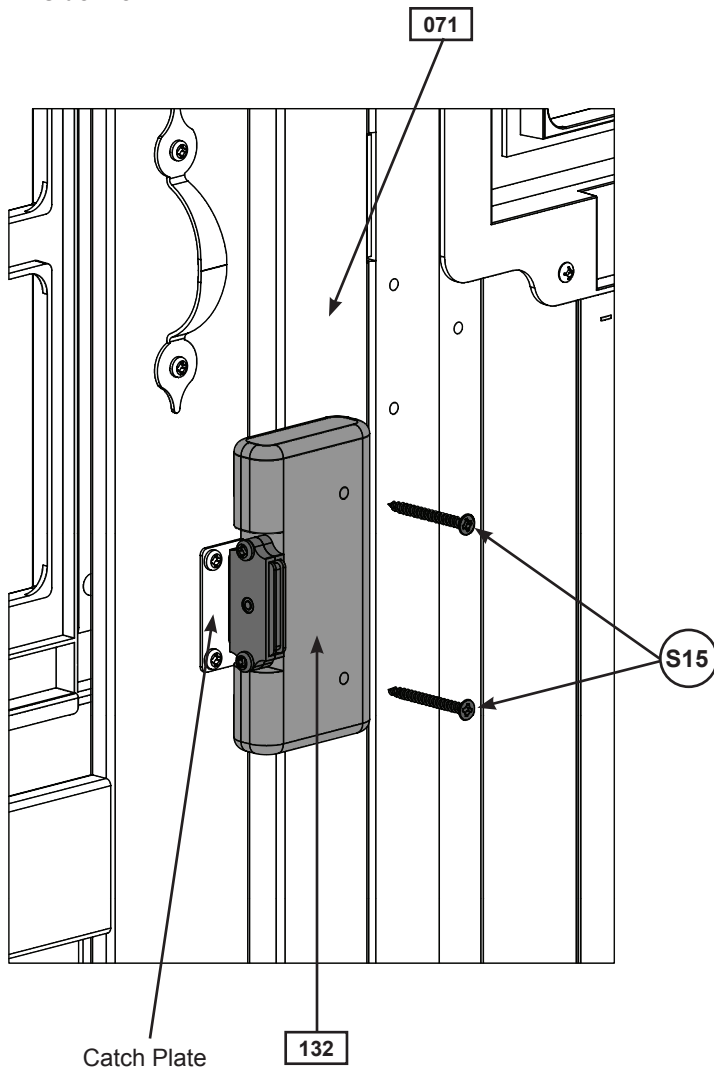


Fig. 13.9

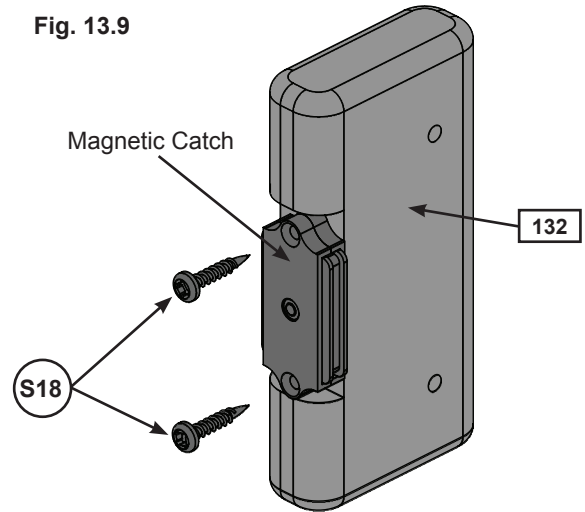
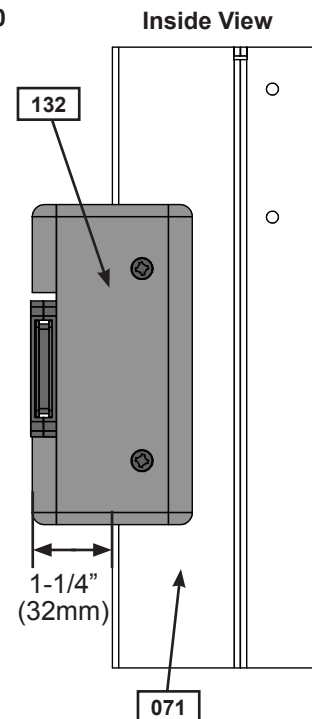


Fig. 13.10



Wood Parts

1 x (132) Door Stop 1 x 2-1/2 x 5"

Hardware

2 x (S15) #8 x 1-3/4" Flat Head Screw

2 x (S18) #6 x 1" Wood Screw

Other Parts

1 x Magnetic Catch

Step 13: Attach Door Components

Part 5

H: From outside the assembly attach Doorbell Trim using 2 (S13) #6 x 5/8" Pan Screws. (fig. 13.11)

I: On the opposite side of the Doorbell Trim attach Doorbell 2 from the inside using 2 (S10) #8 x 1" Pan Screws. (fig. 13.11 and fig. 13.12)

Fig. 13.11 Outside View

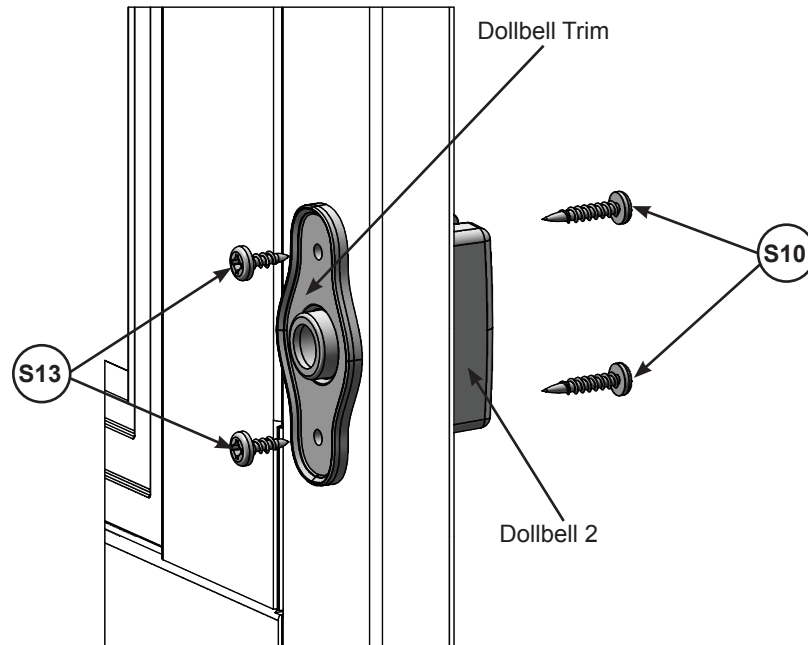
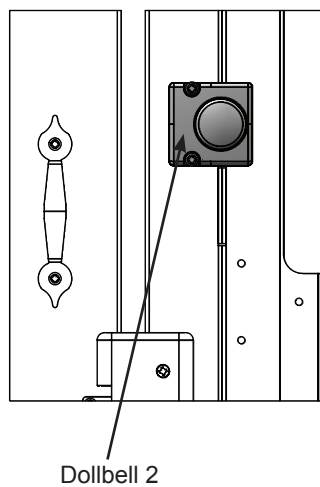


Fig. 13.12 Inside View



Hardware

- 2 x (S10) #8 x 1" Pan Screw
- 2 x (S13) #6 x 5/8" Pan Screw

Other Parts

- 1 x Doorbell 2
- 1 x Doorbell Trim

Step 13: Attach Door Components

Part 6



J: On the outside of (131) Door, below the window, attach KidKraft Logo Plaque using 2 (S37) #7 x 5/8" Pan Screws. (fig. 13.13 and fig. 13.14)

Fig. 13.13

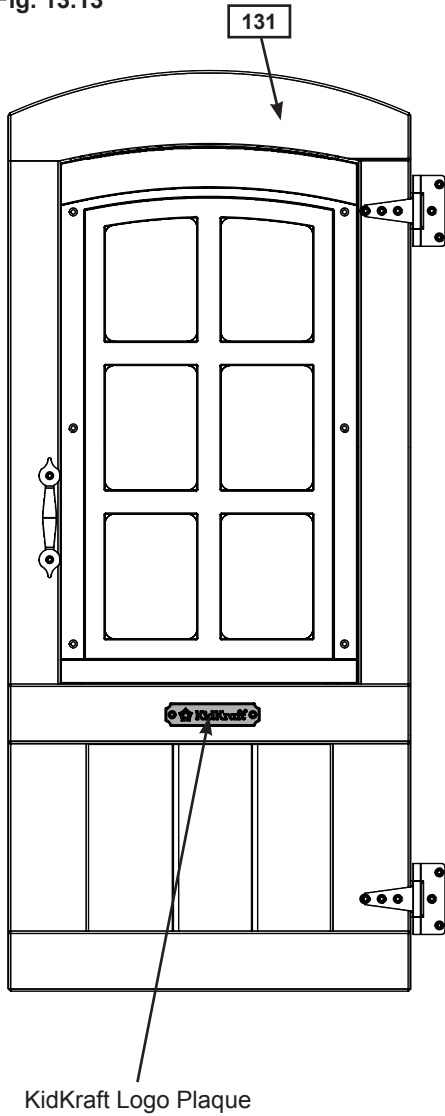
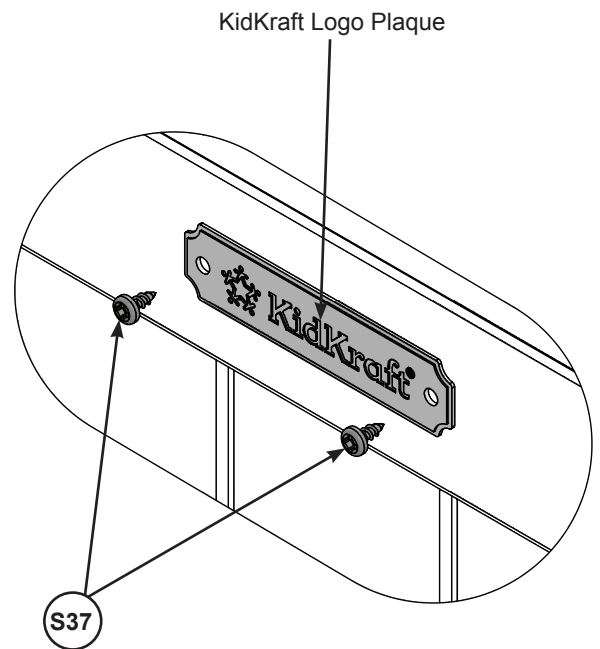


Fig. 13.14



Hardware

2 x (S37) #7 x 5/8" Pan Screw

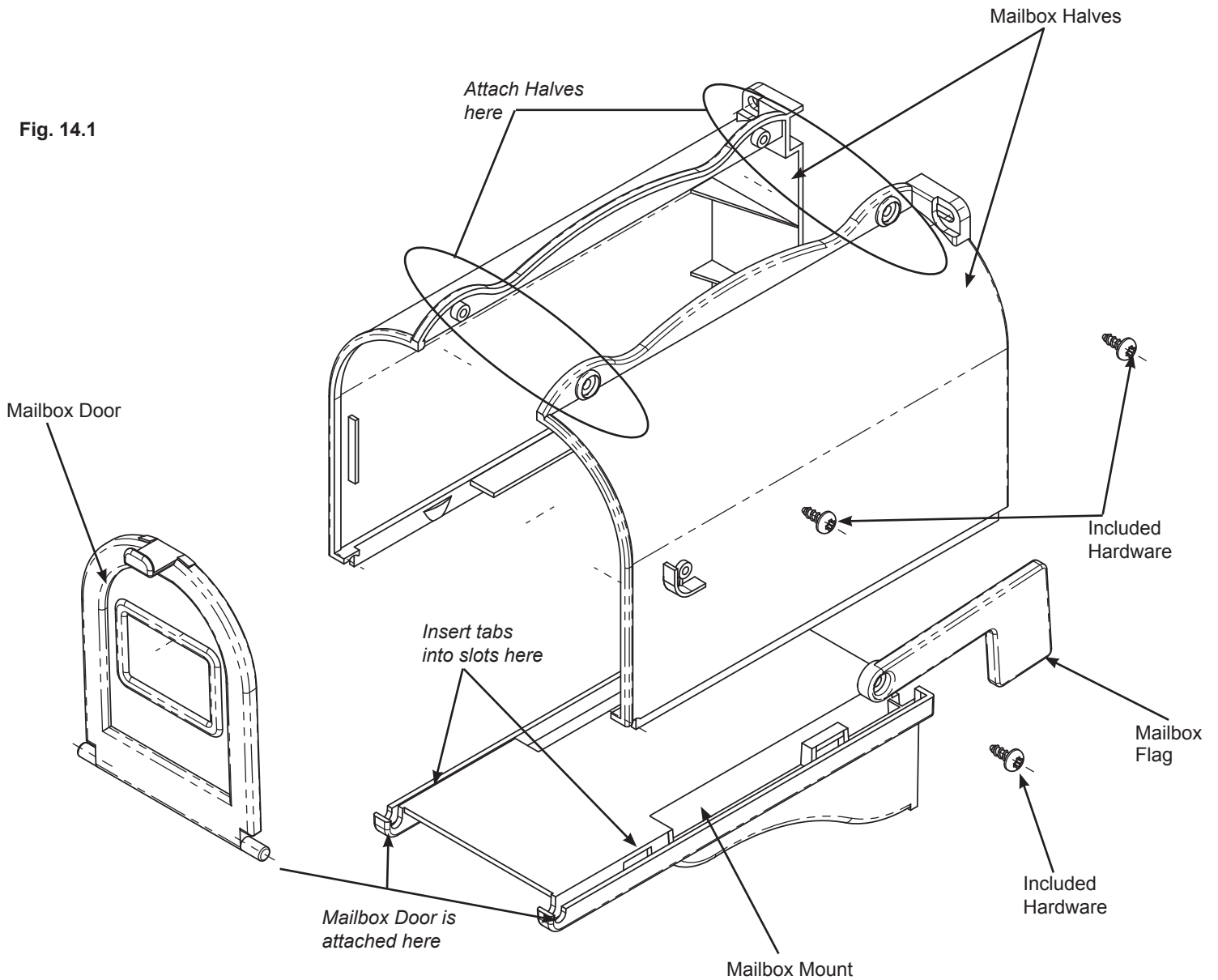
Other Parts

1 x KidKraft Logo Plaque

Step 14: Attach Mail Box

Part 1

- A: Place both Mailbox Halves together and attach at the top with included hardware. (fig. 14.1)
- B: Snap Mailbox Door onto Mailbox Mount. (fig. 14.1)
- C: Place assembled Mailbox on Mailbox Mount and slide into place using the tabs and slots. (fig. 14.1)
- D: Attach Mailbox Flag to Mailbox with included hardware. (fig. 14.1)



Other Parts

1 x Mailbox
(with included hardware)

Step 14: Attach Mail Box

Part 2



E: Measure 2" up from (072) Side Barrier Top and attach Mailbox to (071) Panel Assembly next to the window using 2 (S10) #8 x 1" Pan Screws in the top of the Mailbox. Attach the underside of the Mailbox using 1 (S10) #8 x 1" Pan Screw and 2 (S37) #7 x 5/8" Pan Screws. (fig. 14.2, fig. 14.3 and fig. 14.4)

Fig. 14.2

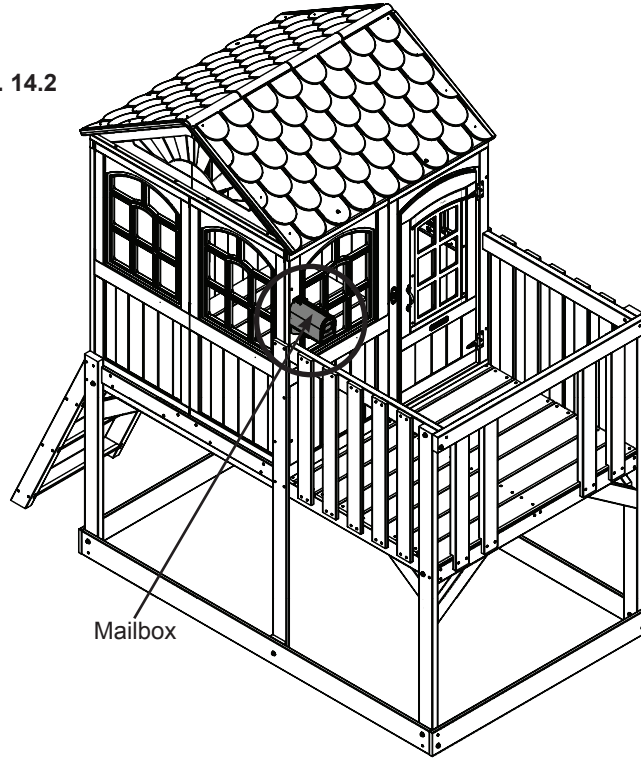


Fig. 14.3

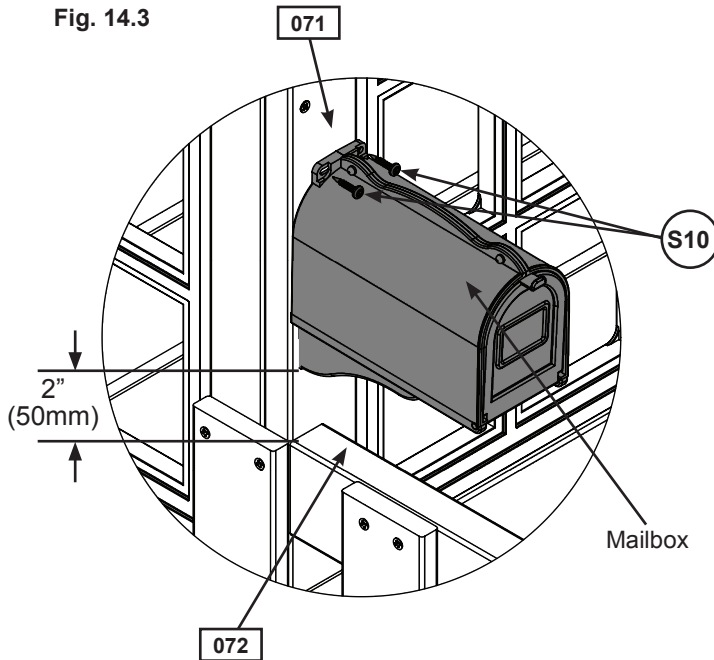
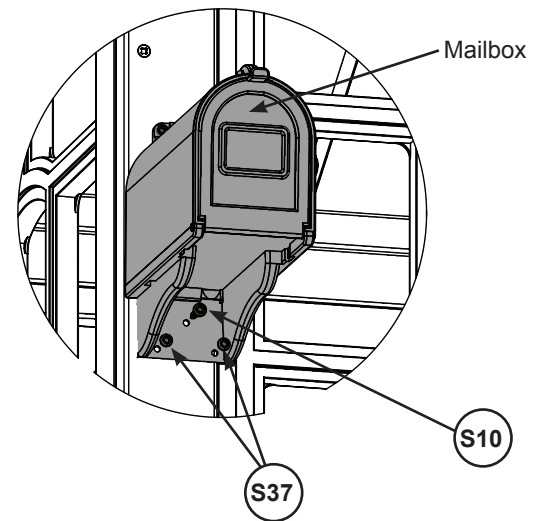


Fig. 14.4 View from underneath



Hardware

- 2 x (S37) #7 x 5/8" Pan Screw
- 3 x (S10) #8 x 1" Pan Screw

Step 15: Attach Slide to Deck



Note: Pre-drill all holes using a 1/8" drill bit before installing the pan screws.

A: Place Slide centered in the opening in the Deck Wall. (fig. 15.1)

B: Attach slide to fort using 2 (S7) #12 x 2" Pan Screws. (fig. 15.2 and fig. 15.3)

Fig. 15.1

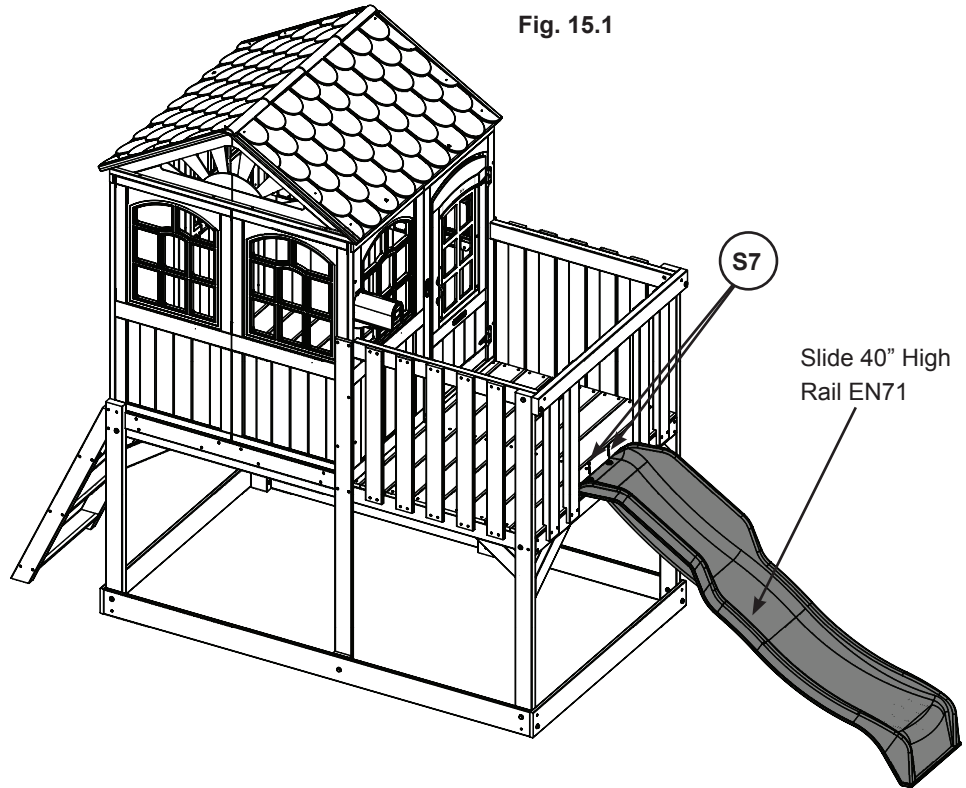


Fig. 15.2

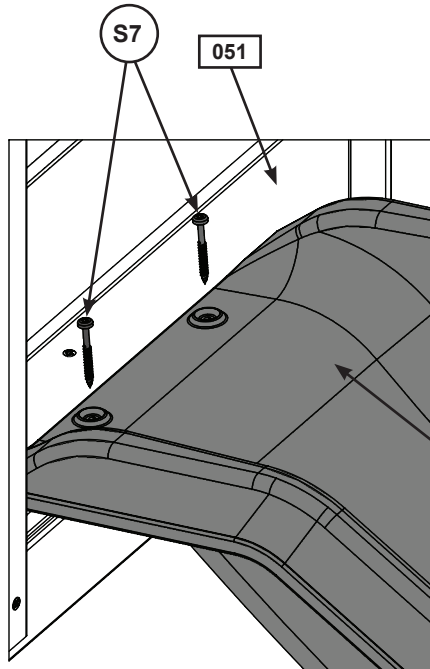
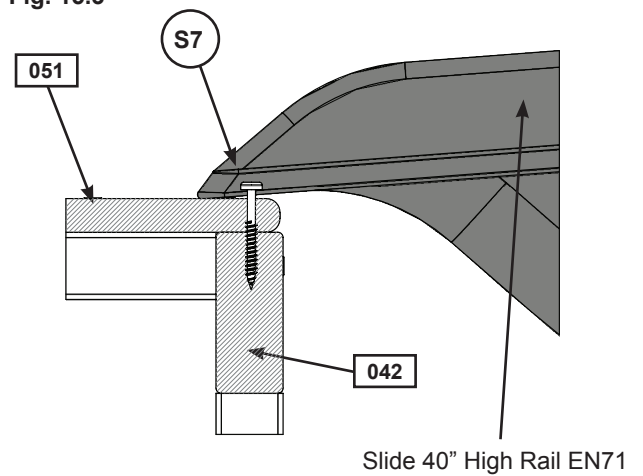


Fig. 15.3

Slide 40" High Rail EN71



Hardware

2 x (S7) #12 x 2" Pan Screw

Other Parts

1 x Slide 40" High Rail EN71

Step 16: Install Ground Stakes

MOVE FORT TO FINAL LOCATION PRIOR TO STAKING

FINAL LOCATION MUST BE LEVEL GROUND

A: In the 6 places shown in fig. 16.1 drive the Rebar Ground Stakes 13" (330mm) into the ground against (041) Lower Side. Be careful not to hit the washer while hammering stakes into the ground as this could cause the washer to break off. (fig. 16.1, fig. 16.2 and 16.3)

B: Attach ground stakes using 1 (S7) #12 x 2" Pan Screw (with 2pcs 1/4" flat washers) per ground stake as shown in fig. 16.2 and 16.3.

C: After driving stakes into the ground, check for sharp edges caused by the impact of the hammer. Smooth any sharp edges from impact area and touch up with outdoor paint.

⚠ Warning! To prevent tipping and avoid potential injury, stakes must be driven 13" (330mm) into ground. Digging or driving stakes can be dangerous if you do not check first for under-ground wiring, cables or gas lines.

Fig. 16.1

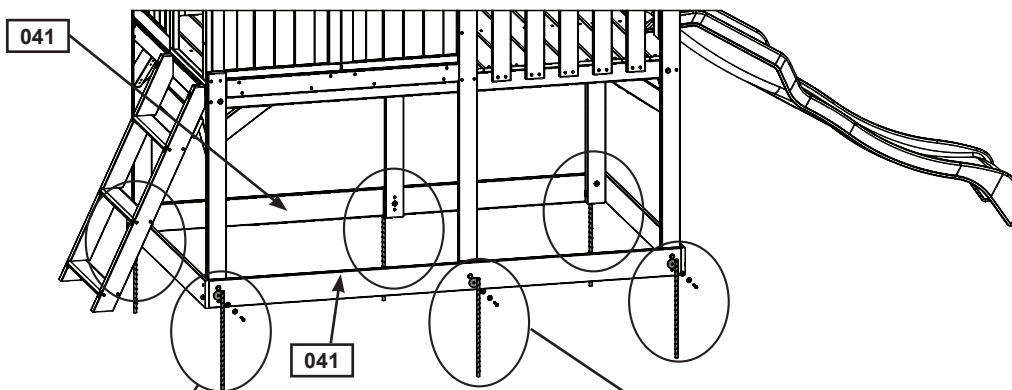


Fig. 16.2

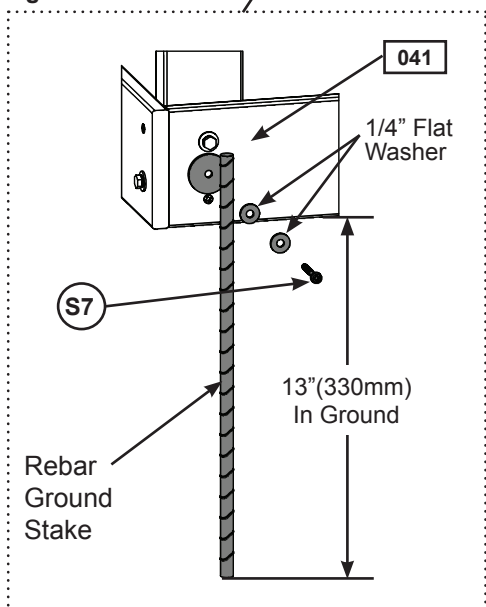
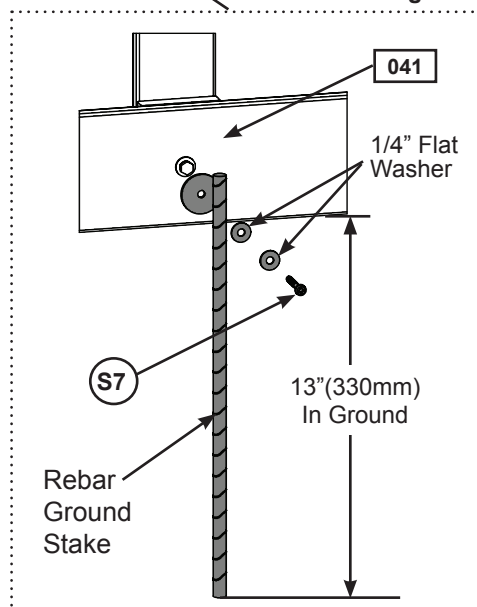


Fig. 16.3



Hardware

6 x (S7) #12 x 2" Pan Screw
(with 2pcs 1/4" flat washers)

Other Parts

6 x Rebar Ground Stake

Final Step: Attach I.D. Plaque

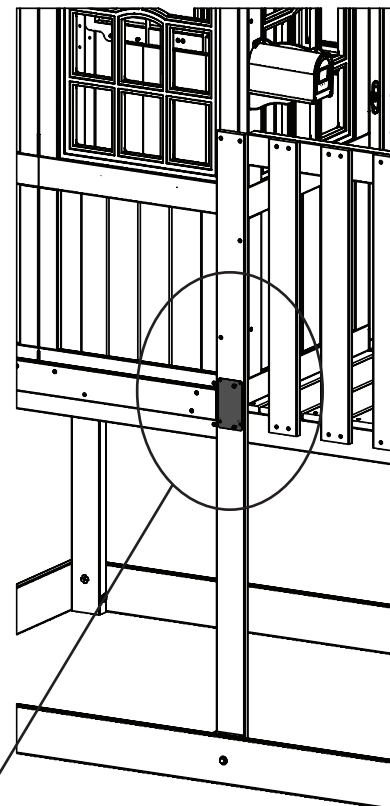
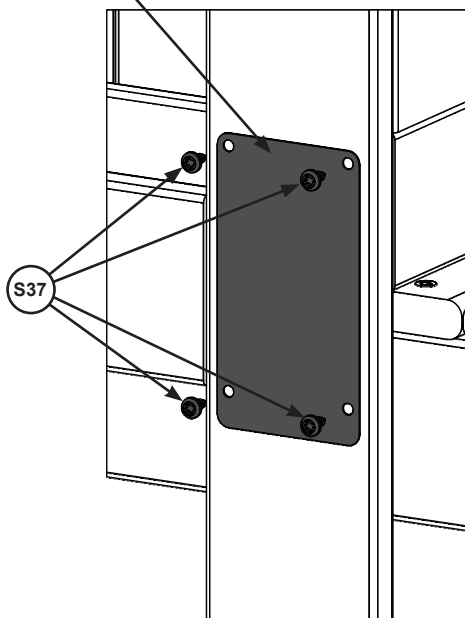
ATTACH THIS WARNING & I.D. PLAQUE TO THIS LOCATION ON YOUR PLAY EQUIPMENT!

This provides warnings concerning safety and important contact information. A Tracking Number is provided to allow you to get critical information or order replacement parts for this specific model.



A: Attach KidKraft Playset Plaque to a location on your set that is easily seen and read by a supervising adult using 4 (S37) #7 x 5/8" Pan Screws as shown below.

KK ID Plaque



Hardware

4 x **S37** #7 x 5/8" Pan Screw

Other Parts

1 x KidKraft ID Plaque

KIDKRAFT
Consumer Registration Card

First Name Initial Last Name

Street Apt. No.

City State/Province ZIP/Postal Code

Country Telephone Number

E-Mail Address

Model Name Model Number (Box Labels)

Serial Number (on ID Plaque)

Date Purchase Purchased From

MM / DD / YY

How would you rate this product for quality?
 Excellent Very Good Average Below Average Poor

How would you rate this product for ease of assembly?
 Excellent Very Good Average Below Average Poor

How would you rate our instructions?
 Excellent Very Good Average Below Average Poor

How would you rate the quality of packaging?
 Excellent Very Good Average Below Average Poor

Would you recommend the purchase of our products to friends and family?
 Yes No

Comments:



MAIL TO:
KidKraft
4630 Olin Road
Dallas, TX 75244
United States
Attention: Customer Service

Fill out your registration card online at
<https://prdregistration.kidkraft.com/>

KidKraft would like to say Thank You for
your time and feedback.

