

KALLISTA®

Pinna Paletta® by Laura Kirar Transfer Shower Trim, Lever Handle P24924-ULB

Features

- High-quality solid-brass construction for durability and reliability
- Required rough-in sold separately
- Allows for directed water flow
- Unlacquered Brass (ULB) available in North America and the United Kingdom only

Required Products/Accessories

P29513-00 Transfer Valve

or

P29514-00 Transfer Valve, Eco

Adapters, Rough-in and Extension Kits

P29513-00 Range: 2-7/16" (62 mm) -
3-3/4" (95 mm)

Recommended Products/Accessories

P24915-ULB Pressure Balance Shower Trim, Lever Handle
P24914-ULB Wall-Mount Bath Spout
P21676-00 Air-Induction Transitional Rain Showerhead
P22078-H Body Spray



ADA

CSA B651

OBC

Codes/Standards

ASME A112.18.1/CSA B125.1

ADA

ICC/ANSI A117.1

CSA B651

OBC

NOM Standards

NOM 012-CONAGUA

KALLISTA® Five-Year Limited Warranty

See website for detailed warranty
information.

Available Colors/Finishes

Color tiles intended for reference only.

Color	Code	Description
-------	------	-------------



ULB	Unlacquered Brass
-----	-------------------

1-888-4-KALLISTA (1-888-452-5547)

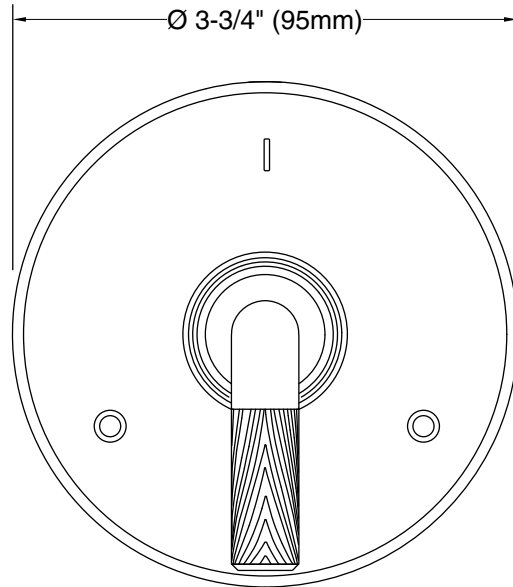
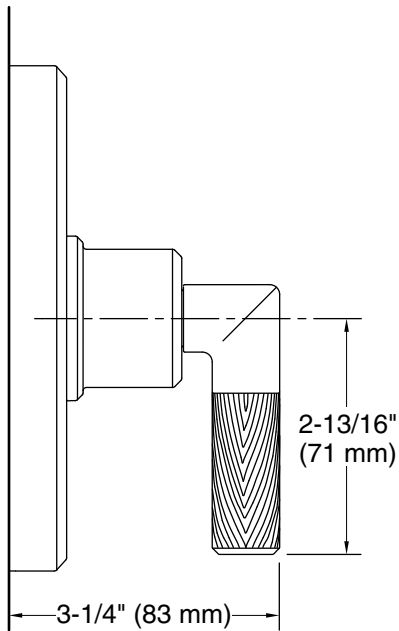
Kallista reserves the right to make revisions without notice to product specifications.

For the most current Specification Sheet, go to www.kallista.com.

1-26-2026 20:54 - US/CA

KALLISTA®

Pinna Paletta® by Laura Kirar
Transfer Shower Trim, Lever Handle
P24924-ULB



Technical Information

All product dimensions are nominal.

Notes

ADA, OBC, CSA B651 compliant when installed to the specific requirements of these regulations.