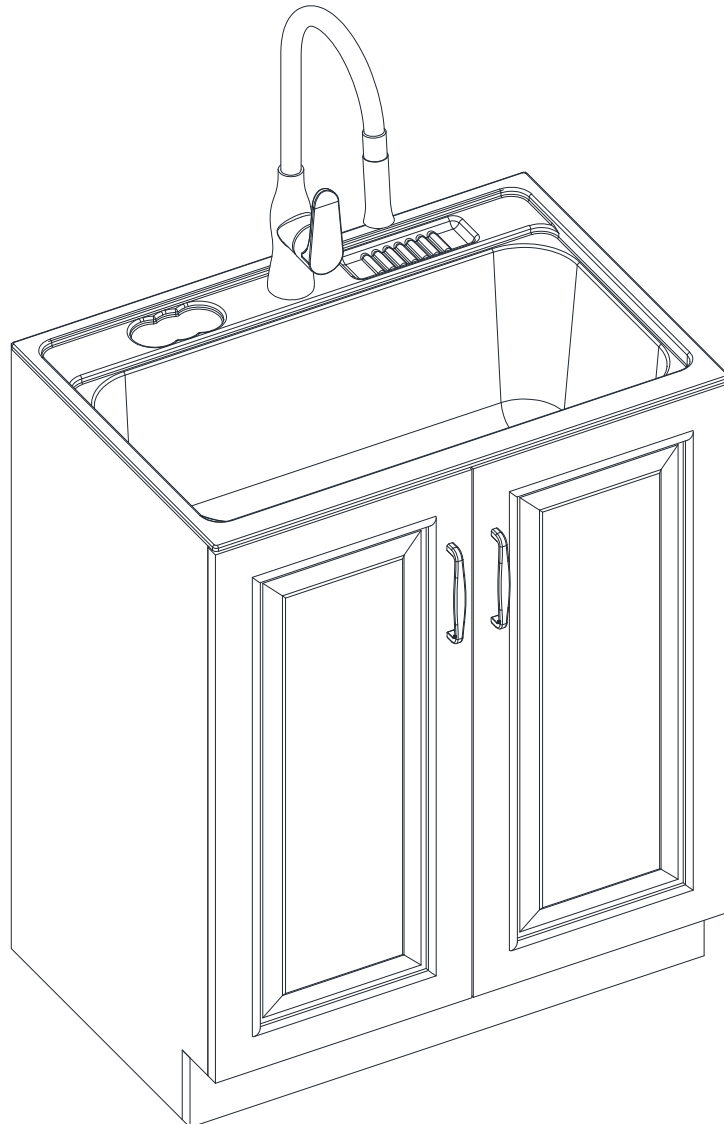


## **DARWIN / GREGG / CLEO**

---

**28 INCH LAUNDRY CABINET with FAUCET and STAINLESS SINK**  
Model # **AXCLDYDAR-28**





**Questions, problems, assembly help, missing parts?**

No need to return the product, we will gladly help and ship your replacement parts free of charge

Please call Customer Service at 1-866-518-0120 ext. 262

Monday to Friday between 9 am – 4 pm EST

or go to

[www.simpli-home.com/parts request](http://www.simpli-home.com/parts request)

In order to assist you in a timely manner, please have the following information ready:

Model # \_\_\_\_\_ Part Number or Letter \_\_\_\_\_

Purchased at \_\_\_\_\_ Date of Purchase \_\_\_\_\_

**If you wish to return the product, please contact the retailer where the product was purchased.**

**IMPORTANT:** Please read this manual carefully before beginning assembly of this product. Keep this manual for future reference.

## SAFETY INFORMATION

Identify all the parts and hardware. Do not discard the packaging until you have checked that you have all of the parts and hardware required. Hardware package may have spare parts.

**WARNING:** This item contains small parts which can be swallowed by children and pets. Keep children and pets away during assembly. To avoid danger of suffocation, always keep plastic bags away from children and pets. We recommend that you assemble this unit on a carpeted floor to avoid scratches. We do not recommend the use of power tools for assembly as this could damage the unit. Only use manual tools.

**Requires 2 people for ease of assembly.**

## CARE and MAINTENANCE

To clean, use a soft or slightly damp cloth, then wipe with a clean, dry cloth. Dust with a soft dry cloth.

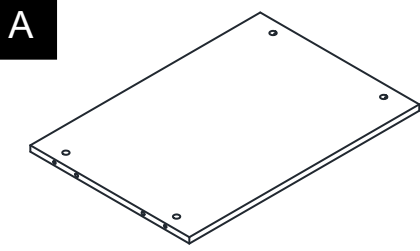
Do not use ammonia-based cleaning products, as they will damage the finish.

Do not leave liquids or damp cloths on this furniture.

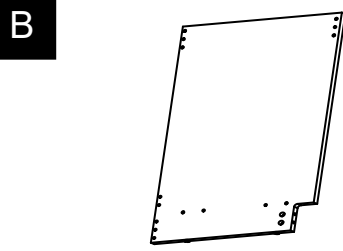
To avoid dulling of the finish, do not place this furniture in direct sunlight.

Please inspect and tighten all screws or bolts on a regular basis to ensure proper performance and safety of your item.

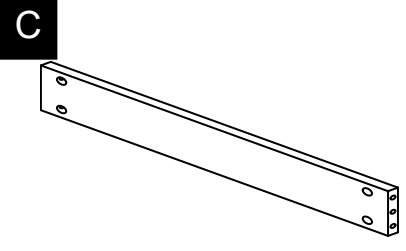
CABINET PARTS



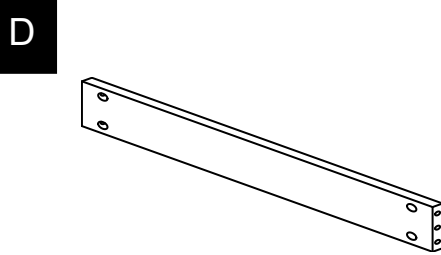
**A**  
BOTTOM PANEL  
QTY 1



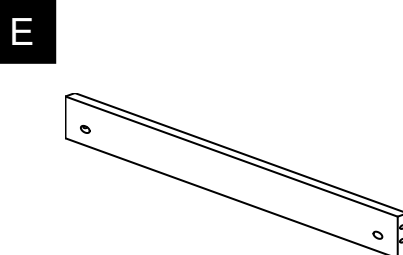
**B**  
RIGHT SIDE PANEL  
QTY 1



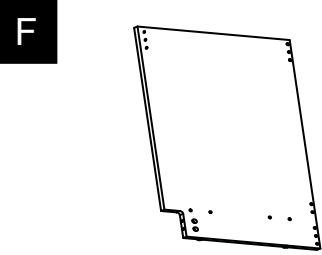
**C**  
BACK BOTTOM PANEL  
QTY 1



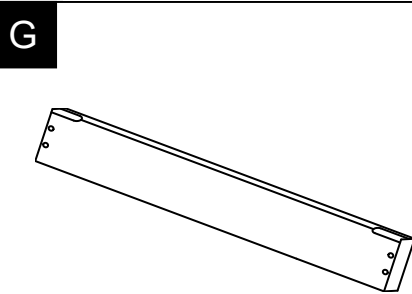
**D**  
BACK TOP PANEL  
QTY 1



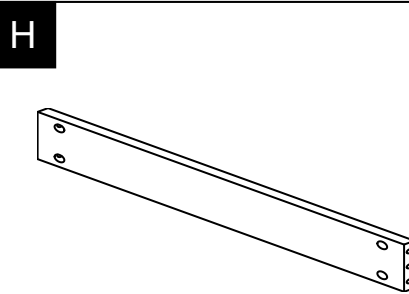
**E**  
BACK MIDDLE PANEL  
QTY 1



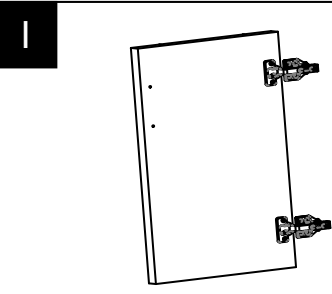
**F**  
LEFT SIDE PANEL  
QTY 1



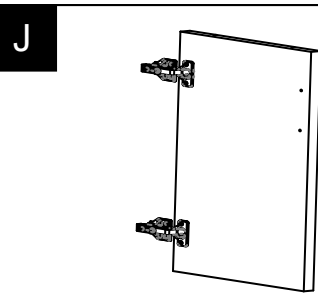
**G**  
FRONT BOTTOM PANEL  
QTY 1



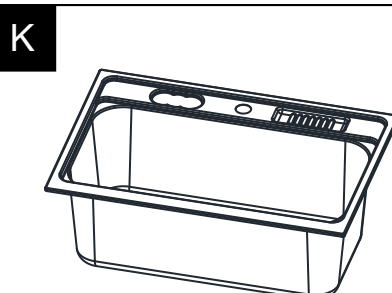
**H**  
FRONT TOP PANEL  
QTY 1



**I**  
LEFT DOOR  
QTY 1



**J**  
RIGHTDOOR  
QTY 1



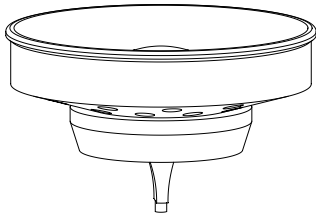
**K**  
SS SINK  
QTY 1

**NEED HELP?** For help with assembly or if you are missing a part,

Please call customer service at 1-866-518-0120 ext. 262 (9 am to 4 pm EST)

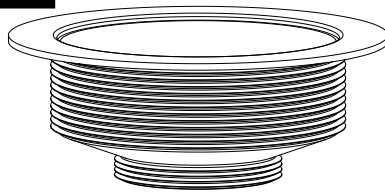
DRAIN PARTS

1



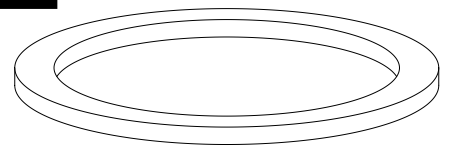
DRAIN PLUG ASSEMBLY  
QTY 1

2



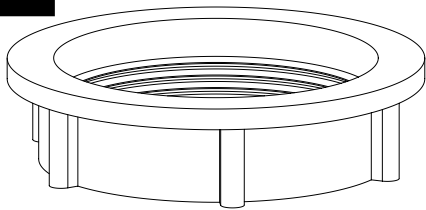
DRAIN BOWL ASSEMBLY  
QTY 1

3



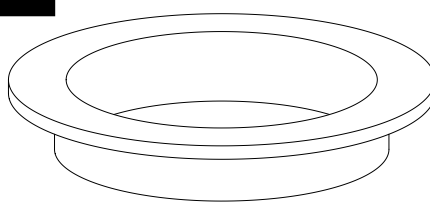
DRAIN WASHER BLACK  
QTY 1

4



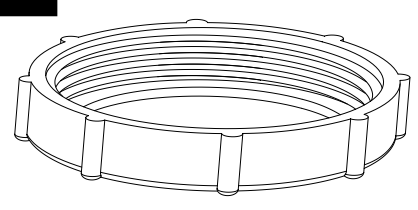
THREAD WASHER  
QTY 1

5



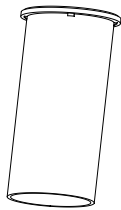
PIPE WASHER  
QTY 1

6



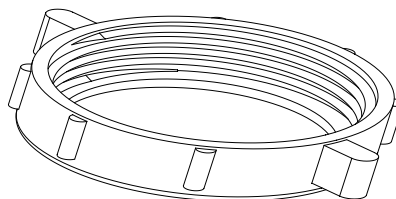
COUPLING BLACK  
QTY 1

7



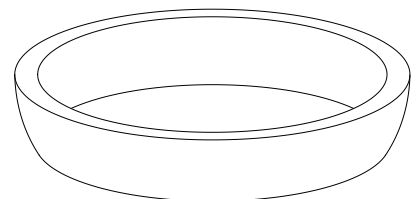
STRAIGHT DRAIN PIPE BLACK  
QTY 1

8



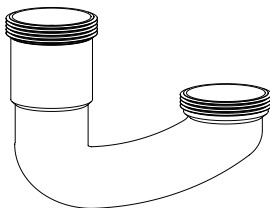
COUPLING BLACK  
QTY 2

9



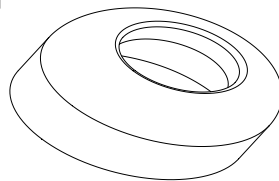
PIPE WASHER WHITE  
QTY 1

10



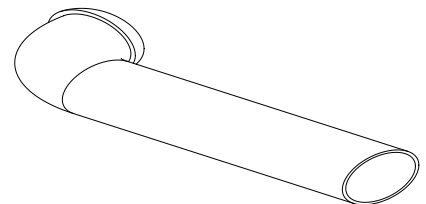
DRAIN CHANNEL BLACK  
QTY 1

11



PIPE COVER BLACK  
QTY 1

12



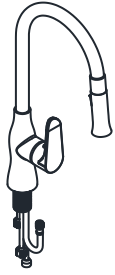
OUTER DRAIN CHANNEL  
QTY 1

**NEED HELP?** For help with assembly or if you are missing a part,

Please call customer service at 1-866-518-0120 ext. 262 (9 am to 4 pm EST)

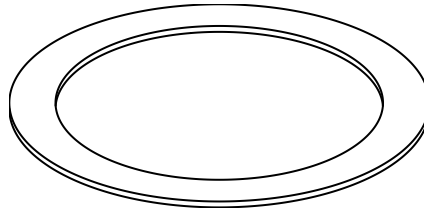
FAUCET PARTS

AA



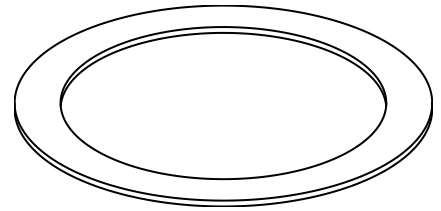
FAUCET BODY  
QTY 1

BB



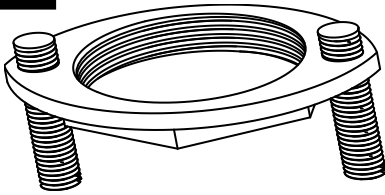
FAUCET WASHER RUBBER  
QTY 2

CC



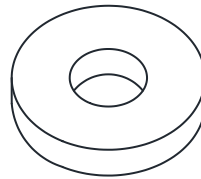
FAUCET WASHER STEEL  
QTY 1

DD



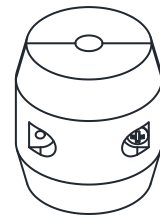
BRASS NUT ASSEMBLY  
QTY 1

EE



FAUCET SEALING RING  
QTY 1

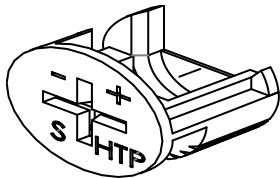
FF



WEIGHT BLOCK  
QTY 1

HARDWARE PARTS

I



CAM LOCK  
QTY 23

II



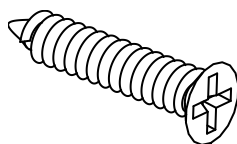
CAM PIN  
QTY 23

III



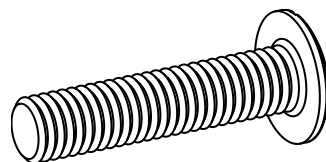
WOOD DOWEL  
QTY 13

IV



SELF-TAPPING SCREW  
M4x16  
QTY17

V



PAN HEAD PHILLIPS SCREW M4x30  
QTY 4

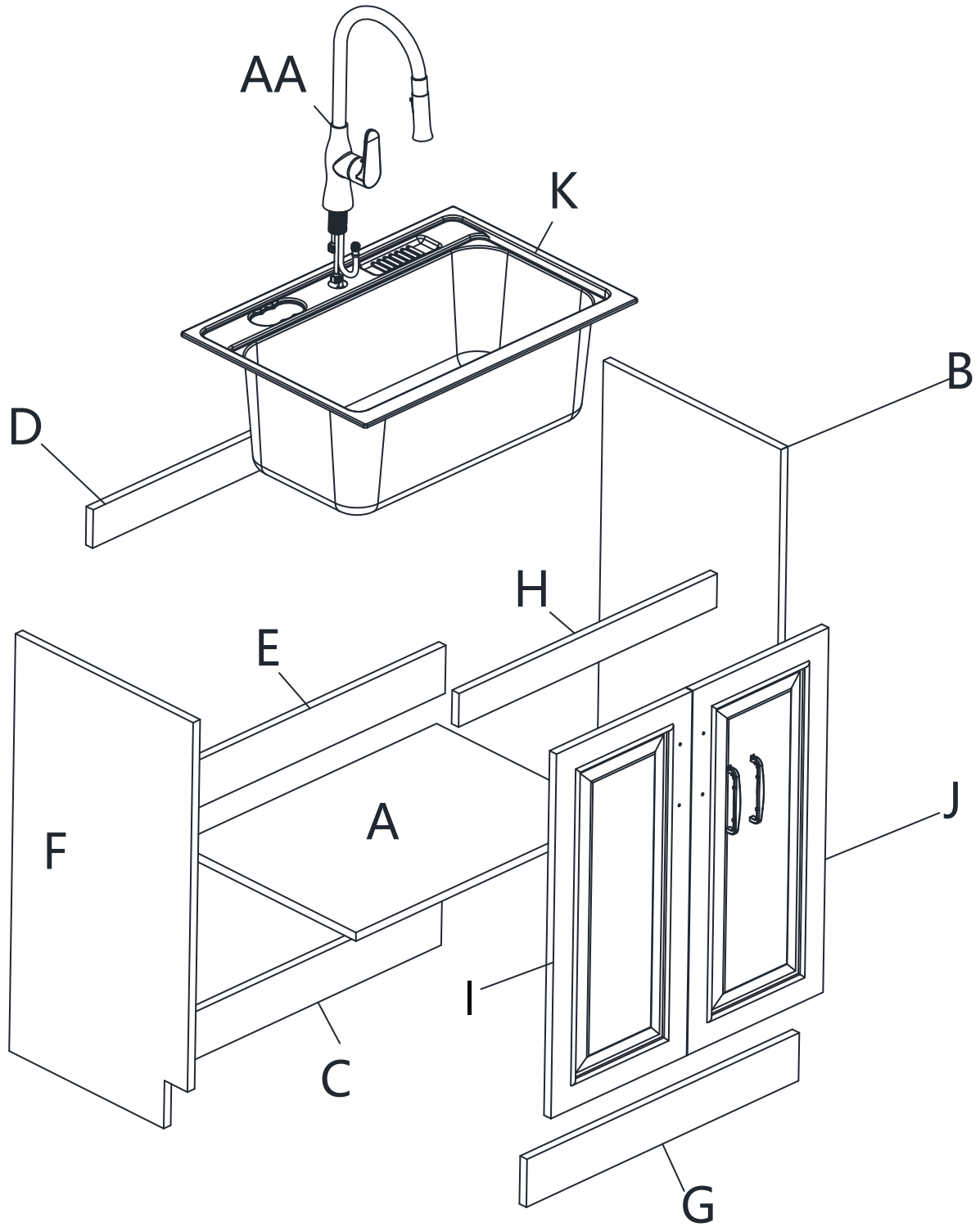
VI



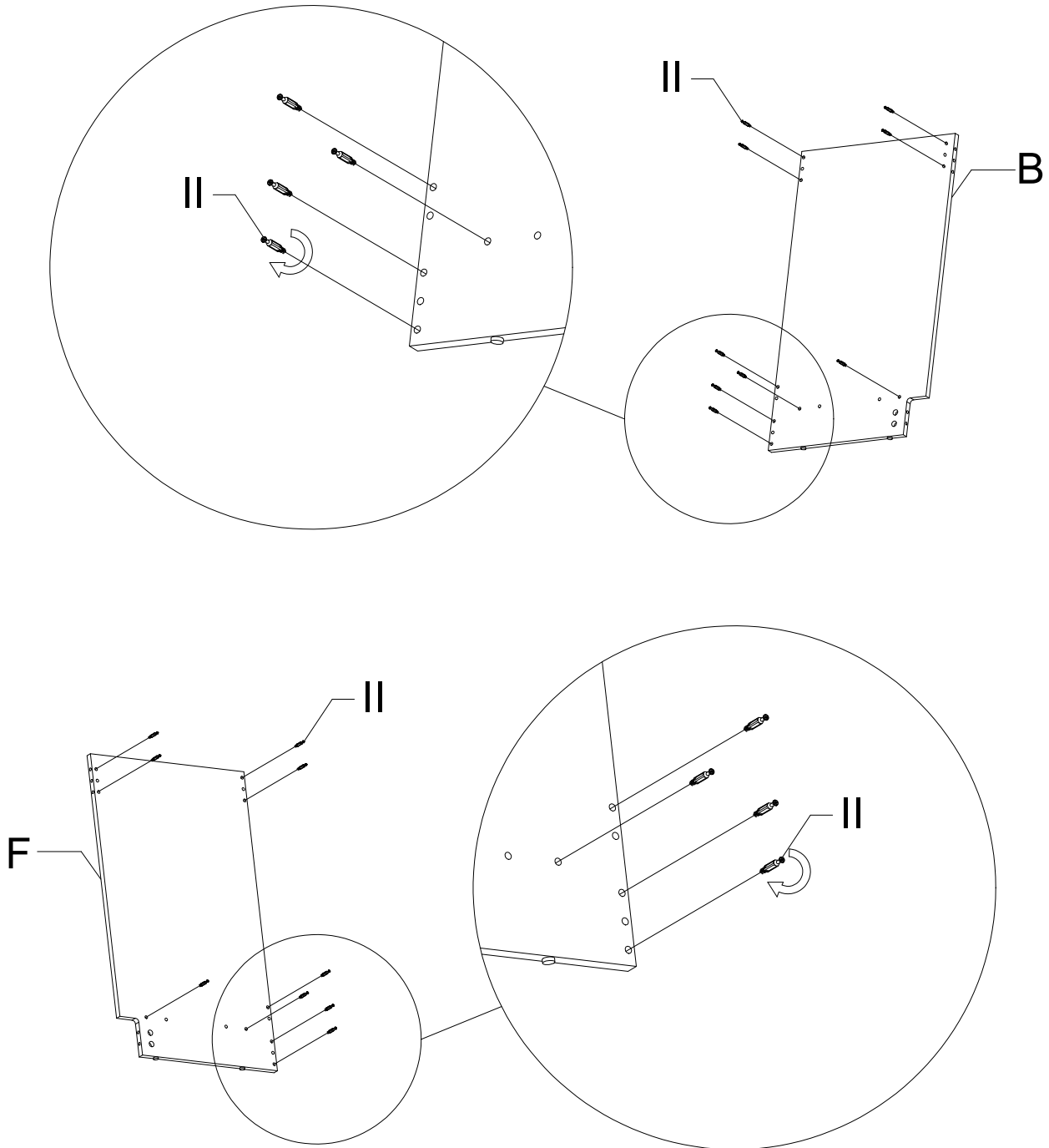
HANDLE  
QTY 2

**NEED HELP?** For help with assembly or if you are missing a part,

Please call customer service at 1-866-518-0120 ext. 262 (9 am to 4 pm EST)



STEP 1



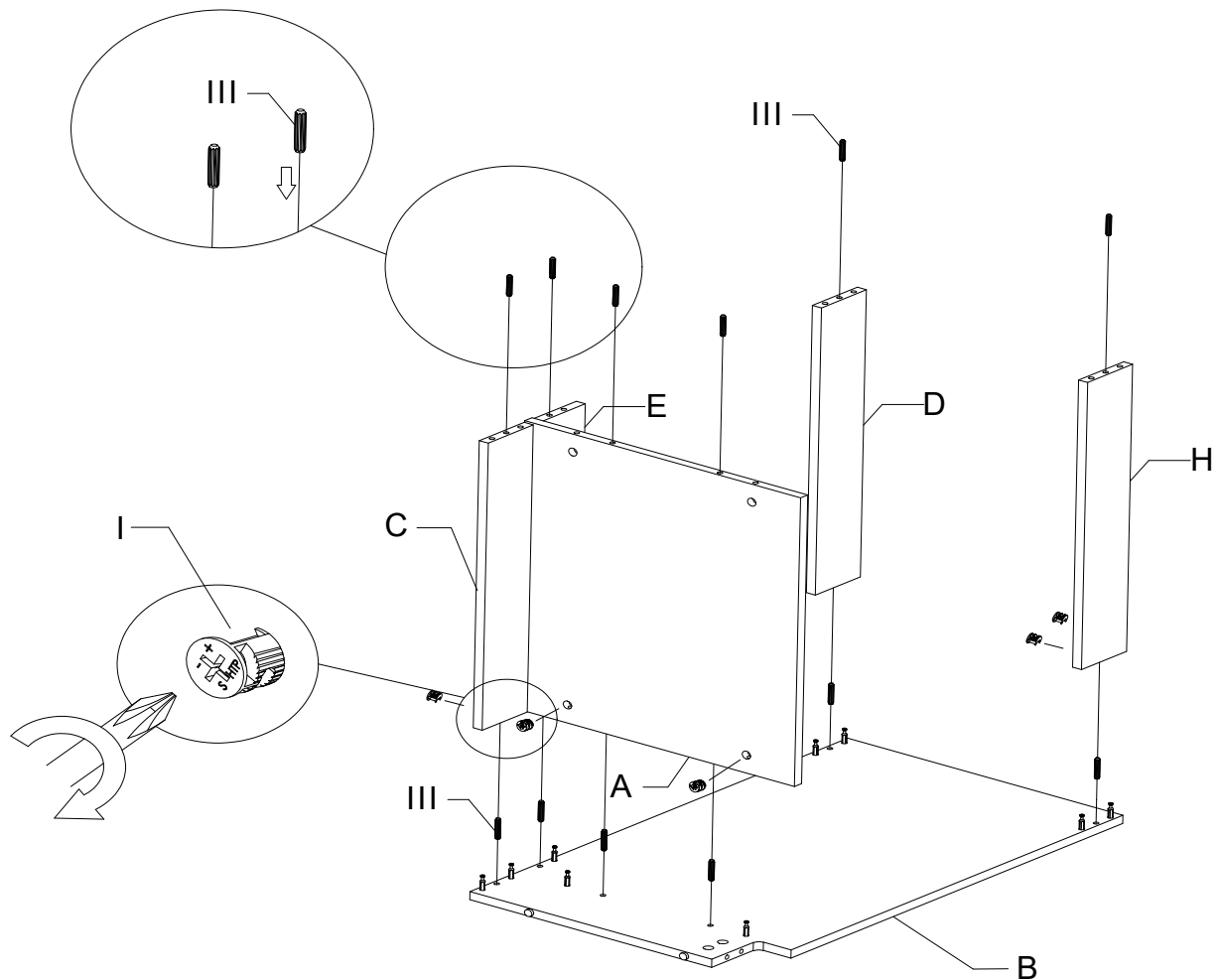
Screw Cam Pins (II) into the pre-drilled small holes on Left Panel (F) and Right Panel (B).



## STEP 2



**NOTE: THE SCREWDRIVER IS NOT INCLUDED IN THE HARDWARE PACK.**



Insert Wood Dowels (III) into the pre-drilled holes of Bottom Panel (A), Back Bottom Panel (C), Back Top Panel (D), Back Middle Panel (E) and Front Top Panel (H).

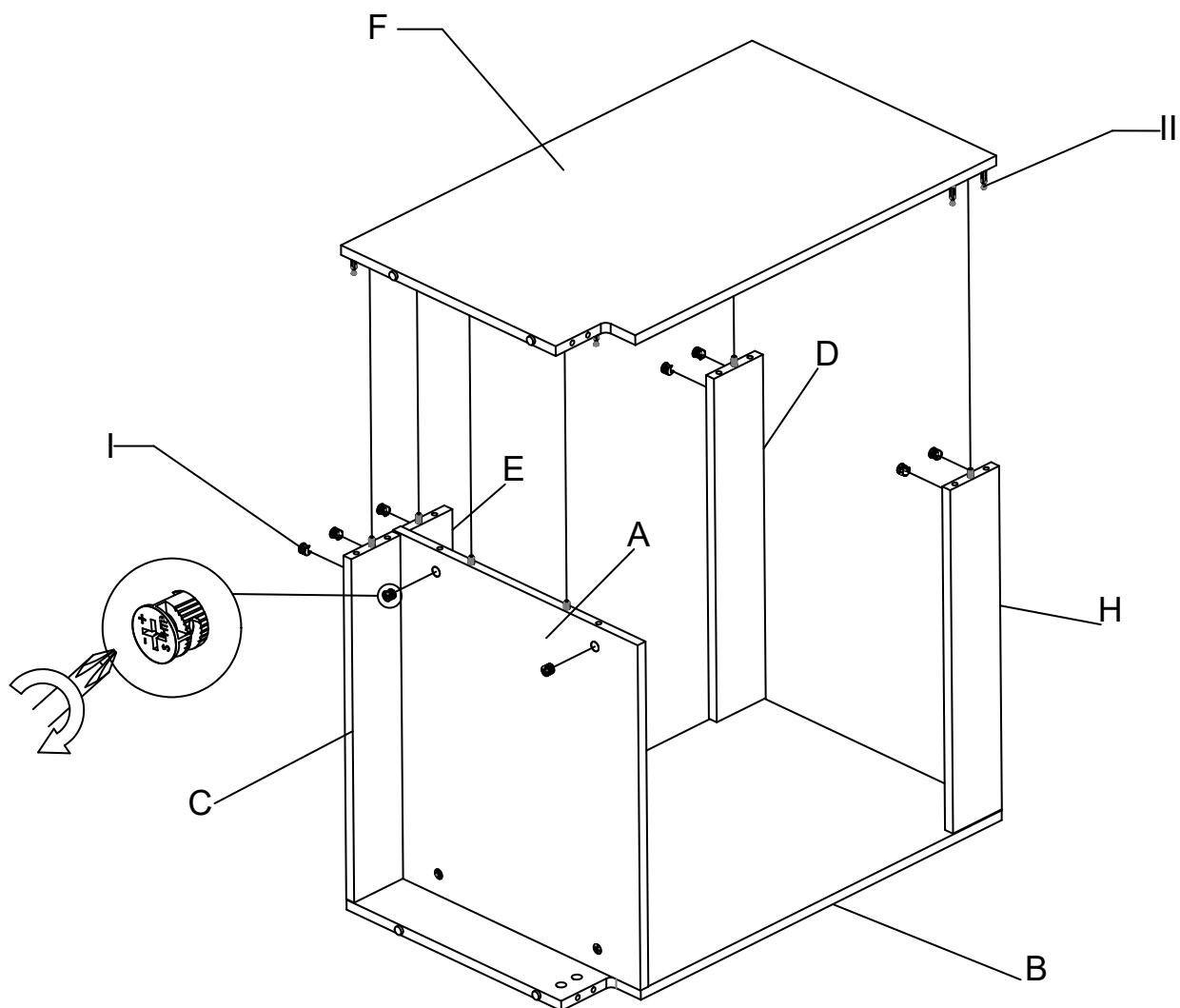
Insert Cam Locks (I) into the pre-drilled holes of Bottom Panel (A), Back Bottom Panel (C), Back Top Panel (D), Back Middle Panel (E) and Front Top Panel (H).

Attach Bottom Panel (A), Back Bottom Panel (C), Back Top Panel (D), Back Middle Panel (E) and Front Top Panel (H) to Right Side Panel (B).

## STEP 3



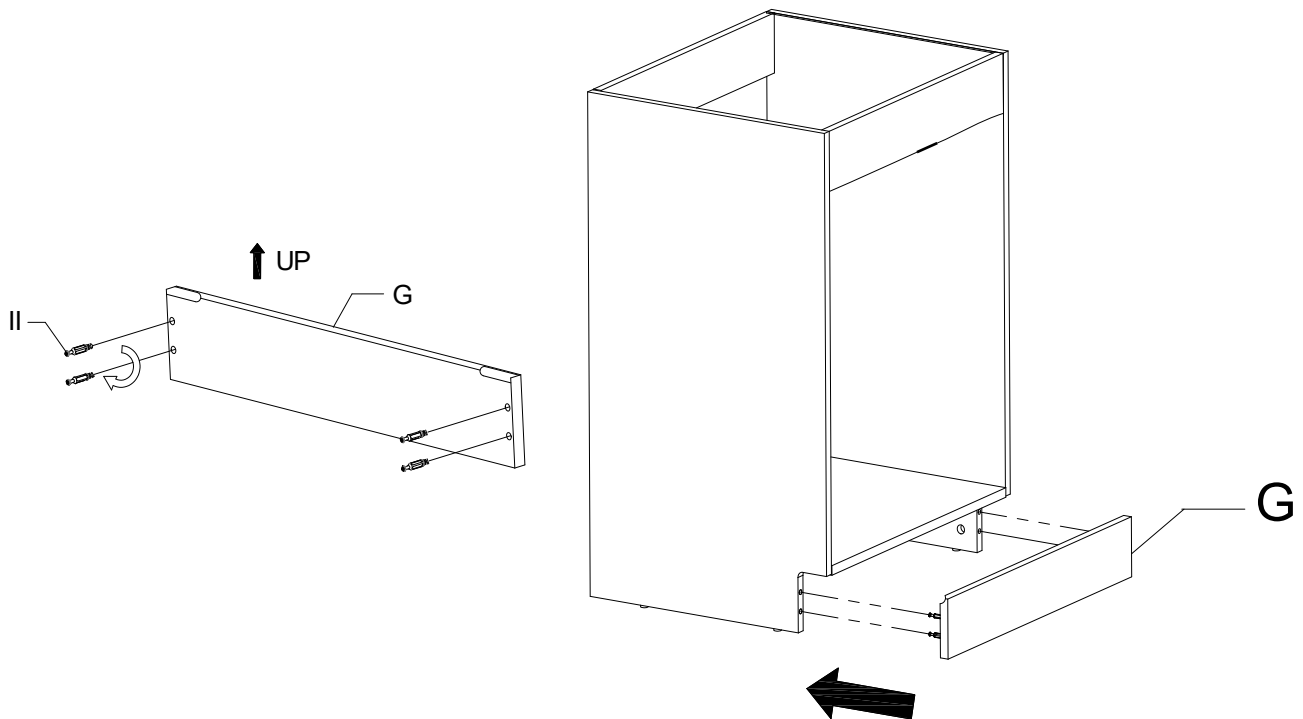
**NOTE: THE SCREWDRIVER IS NOT INCLUDED IN THE HARDWARE PACK.**



Attach the Left Panel (F) with Cam Pins (II) and Dowels into the pre-drilled holes.  
Insert Cam Locks (I) into the pre-drilled holes of Bottom Panel (A), Back Bottom Panel (C),  
Back Top Panel (D), Back Middle Panel (E) and Front Top Panel (H).

Tighten with flathead screwdriver.

## STEP 4

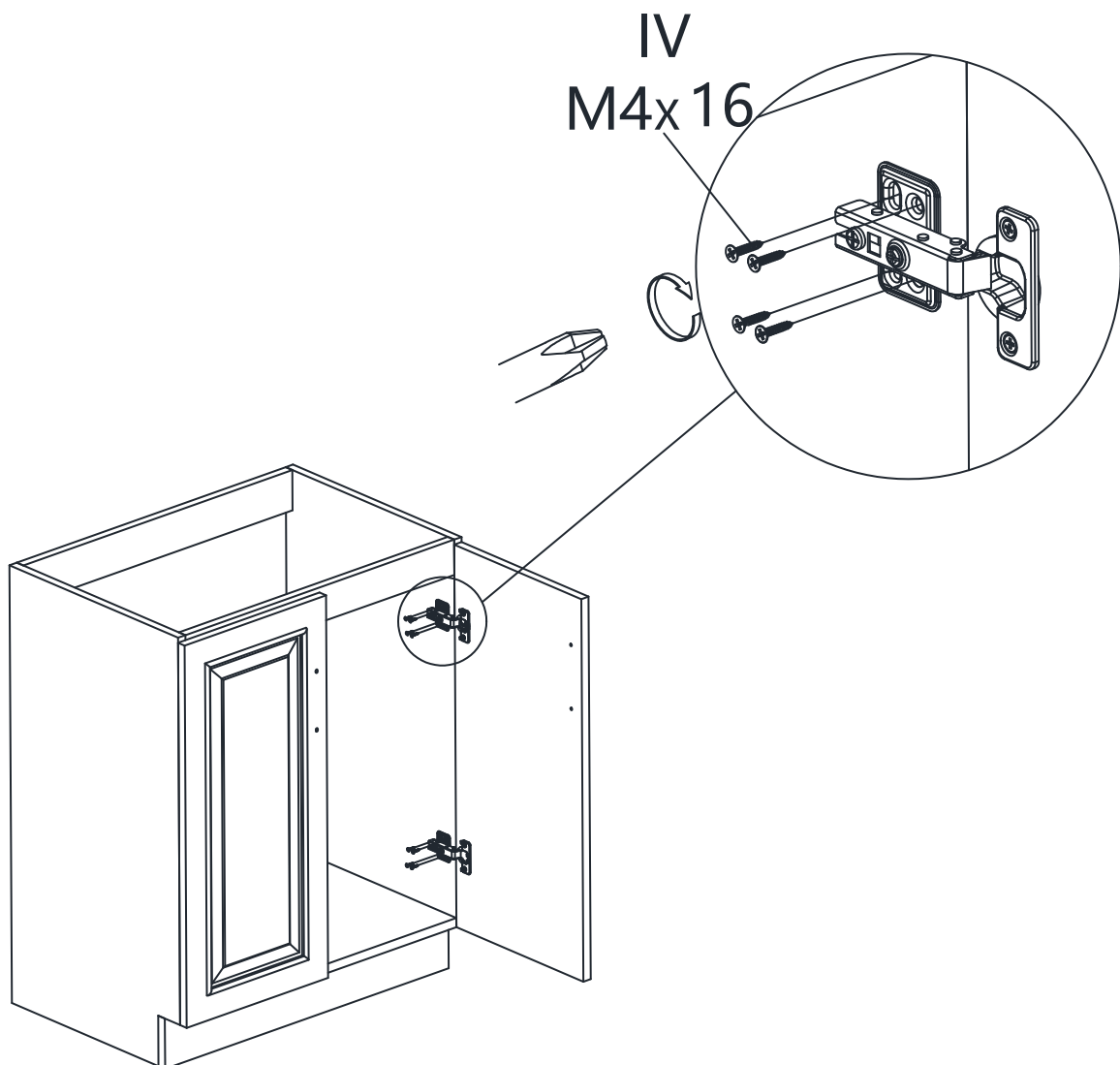


Screw Cam Pins (II) into the pre-drilled small holes on Kick Plate Panel (G).  
Insert Cam Pins (II) into the pre-drilled holes on both Side Panels. Insert  
Cam Locks (I) into pre-drilled holes on both Side Panels.  
Tighten with flathead screwdriver.

## STEP 5



**NOTE: THE SCREWDRIVER IS NOT INCLUDED IN THE HARDWARE PACK.**

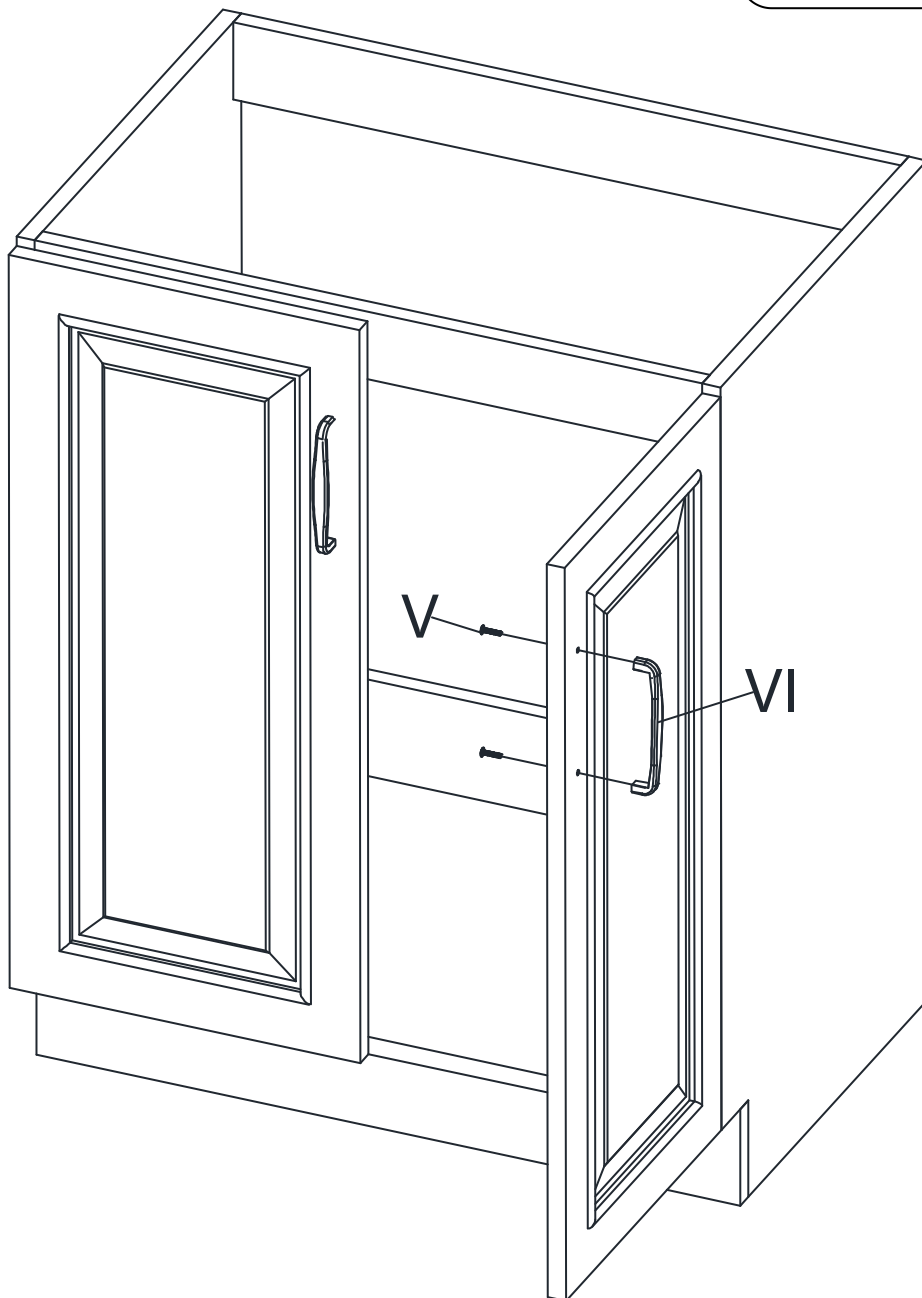


Use Phillips Screwdriver to attach the Right Door hinges with Self-Tapping Screw (IV) M4x16.  
Use Phillips Screwdriver to attach the Left Door hinges with Self-Tapping Screw (IV) M4x16.

## STEP 6

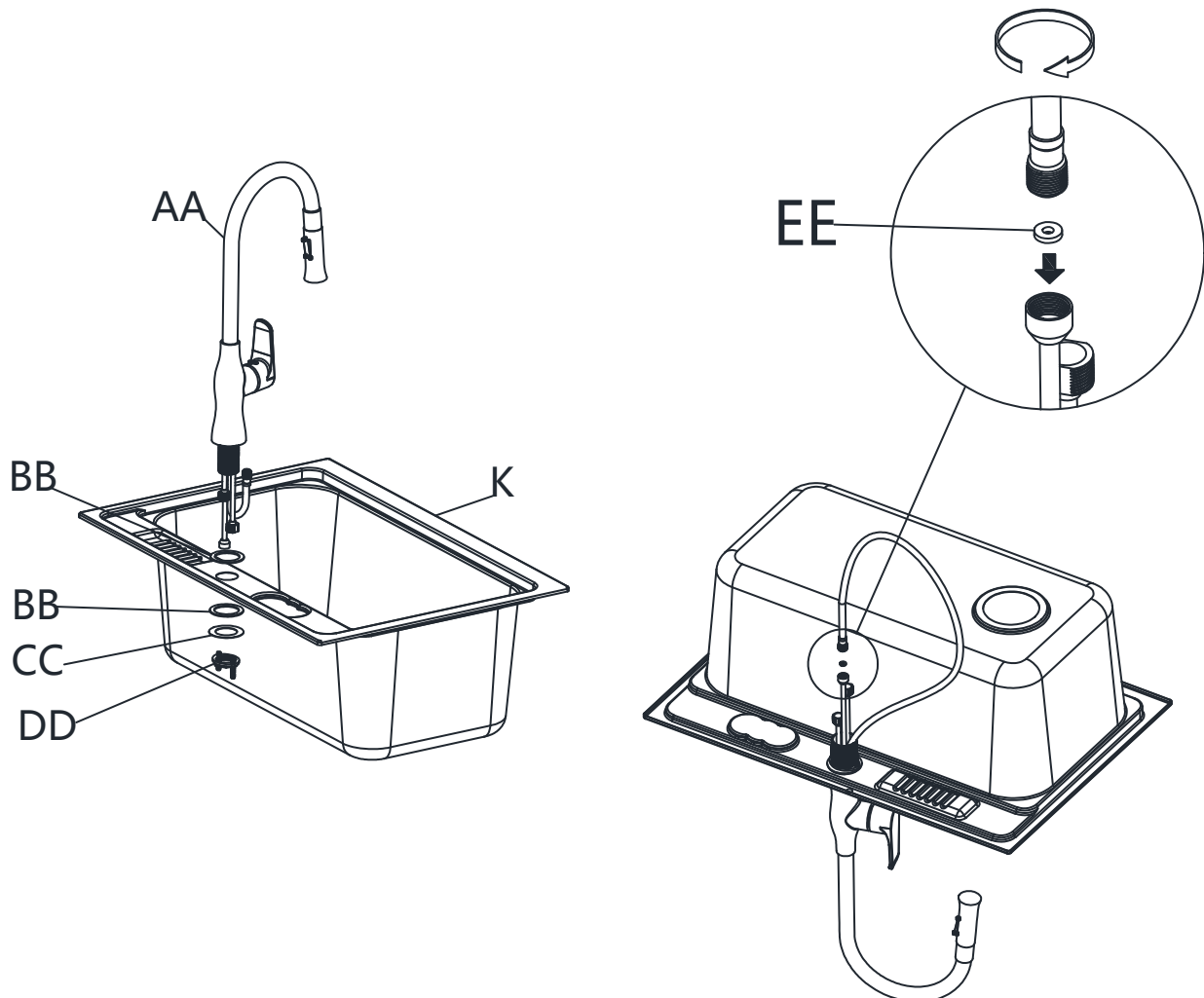


**NOTE: THE SCREWDRIVER IS NOT INCLUDED IN THE HARDWARE PACK.**



Use Phillips Screwdriver to screw the Handle (VI) with Pan Head Philips Screws (V) M4x30.

## STEP 7

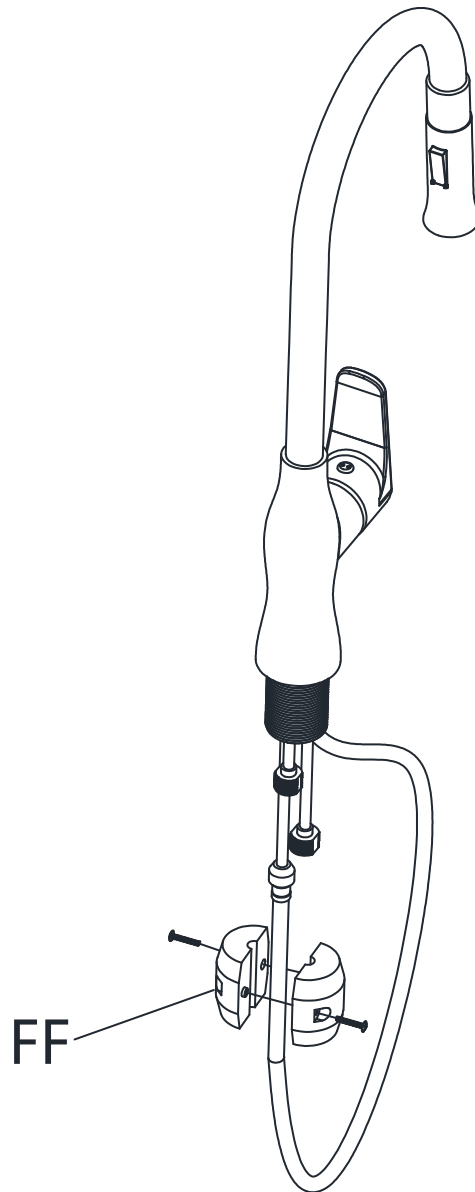


Place a Rubber Washer (BB) onto the end of the Faucet (AA) and insert the faucet through the top of the Sink (K).

From underneath the Sink (K), secure the Faucet (AA) to the Sink (L) using a Rubber Washer (BB), Steel Washer (CC) and Brass Nut Assembly (DD).

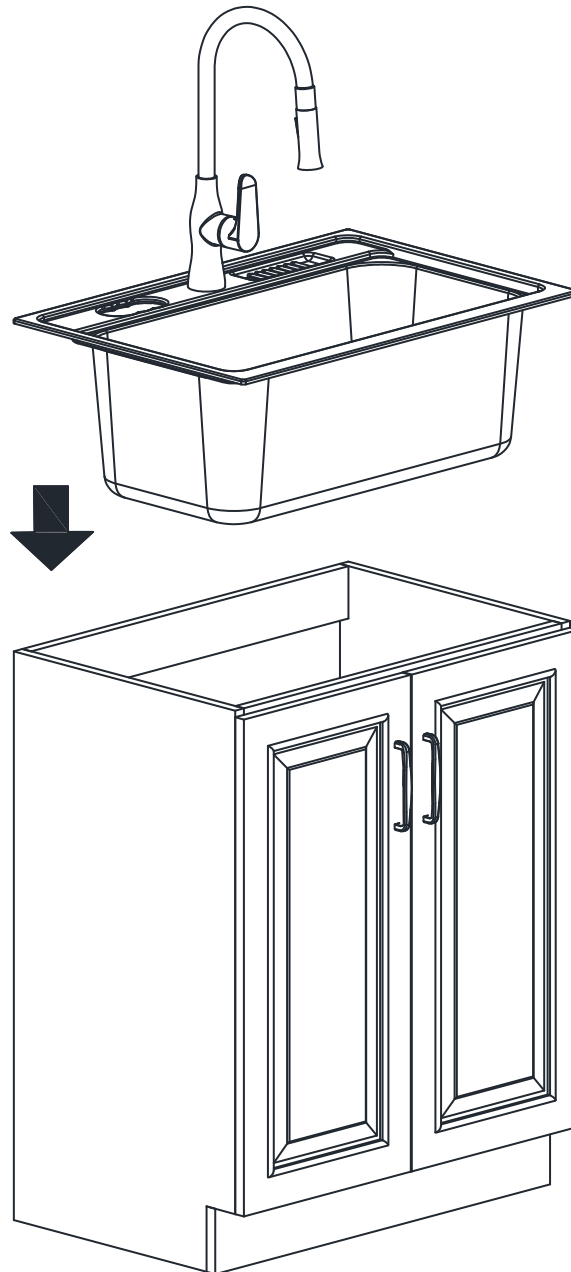
Insert Faucet Sealing ring (EE) into hole of the pipe and screw hose pipe into it.

## STEP 8



Attach the Weight Block (FF) to the hose pipe and screw together.

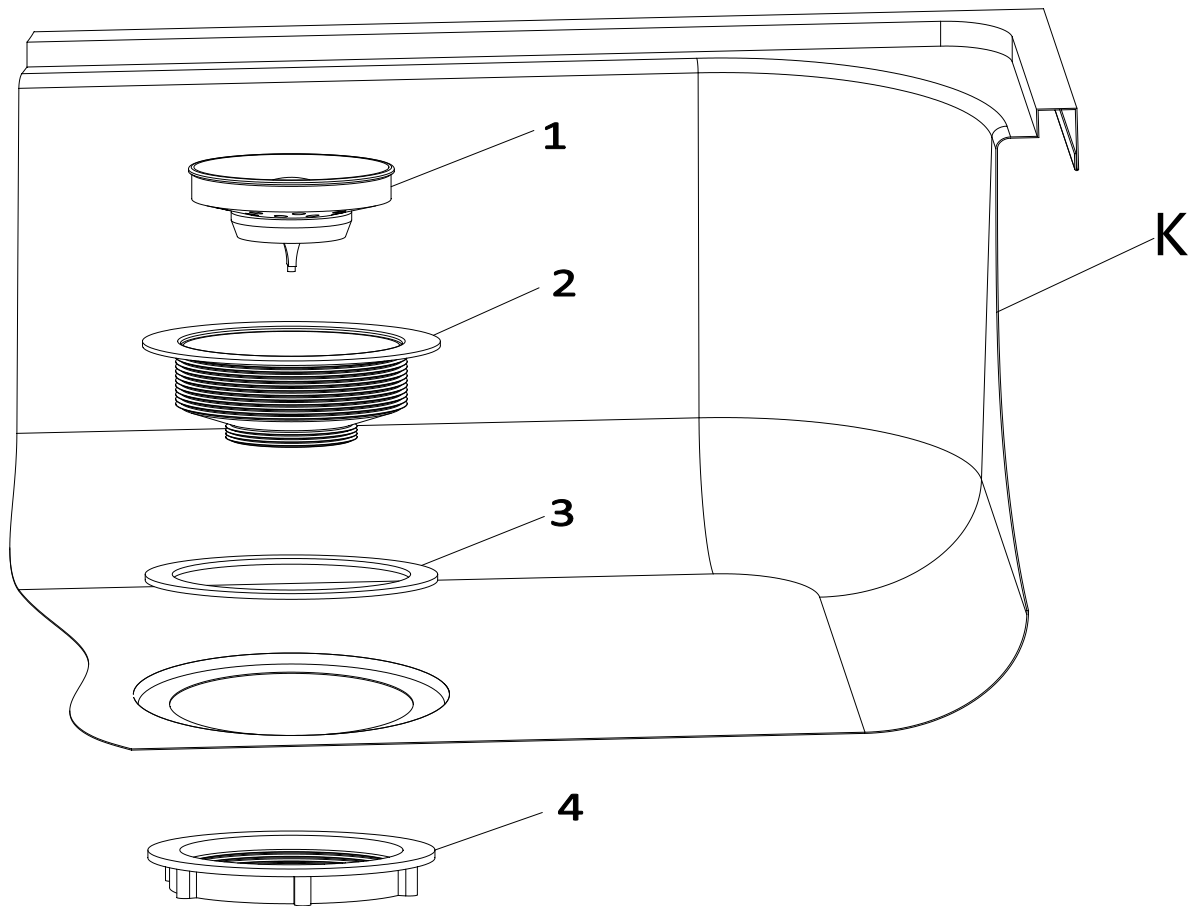
## STEP 9



Place the Sink (K) with the attached Faucet (AA) on top of the Cabinet.

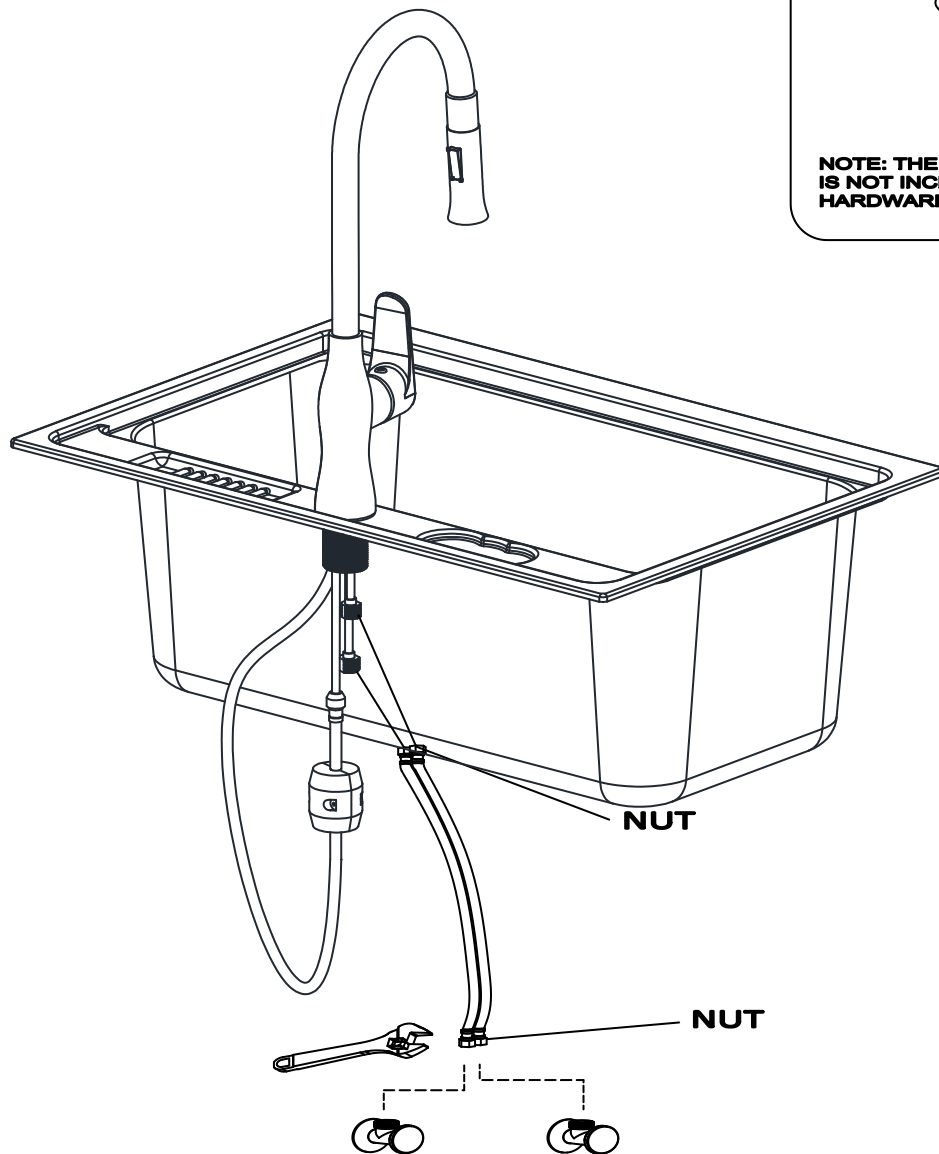


## STEP10



Put the Drain Washer (3) on the top of the drain opening in the Sink (K).  
Put the Drain Bowl (2) on the Drain Washer (3) through the drain opening.  
From underneath the sink fasten the Threaded Washer (4) onto the Drain Bowl (2) and tighten.  
Insert the Drain Plug (1) into the Drain Bowl (2).

## STEP 11



Fasten the nuts of the hoses (not included in package) to the nut ends of the faucet body.

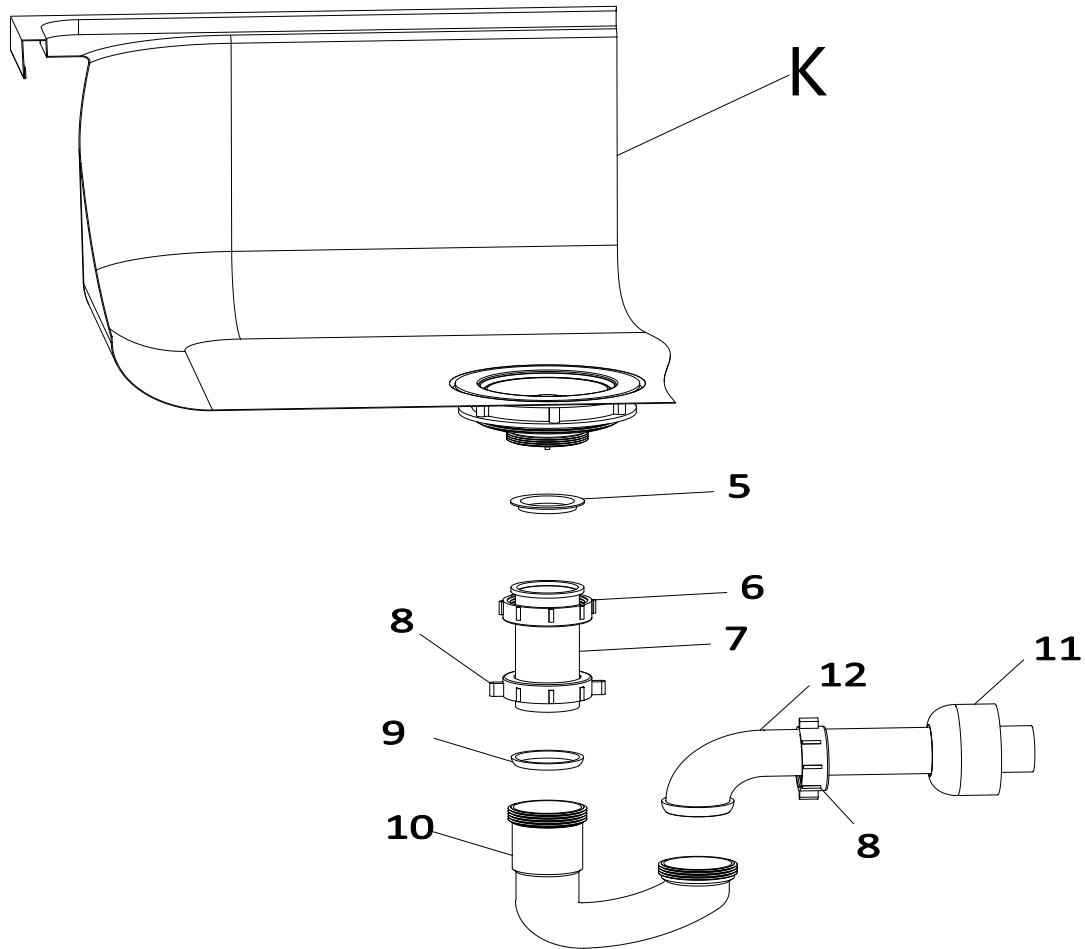
Fasten the nuts of the hoses (not included in package) to the water outlet:

- Red striped hose to Hot water supply
- Blue striped hose to Cold water supply

Ensure to only tighten the nut and not twist the supply hose.

Leakage may occur if hoses are twisted.

## STEP 12



Put the Pipe Washer (5) onto the Straight Drain Pipe (7).

Connect the Straight Drain Pipe (7) to the drain and fasten the Coupling (6).

Put the Coupling (8) into the Straight Drain Pipe (7) and put a Pipe Washer (9) into the Straight Drain Pipe (7).

Connect the Drain Channel (10) to the Straight Drain Pipe (7) and fasten with the Coupling (8).

On the Drain Channel (10), wrap teflon tape (not included) around the threaded end that connects to the Outer Drain Channel (12).

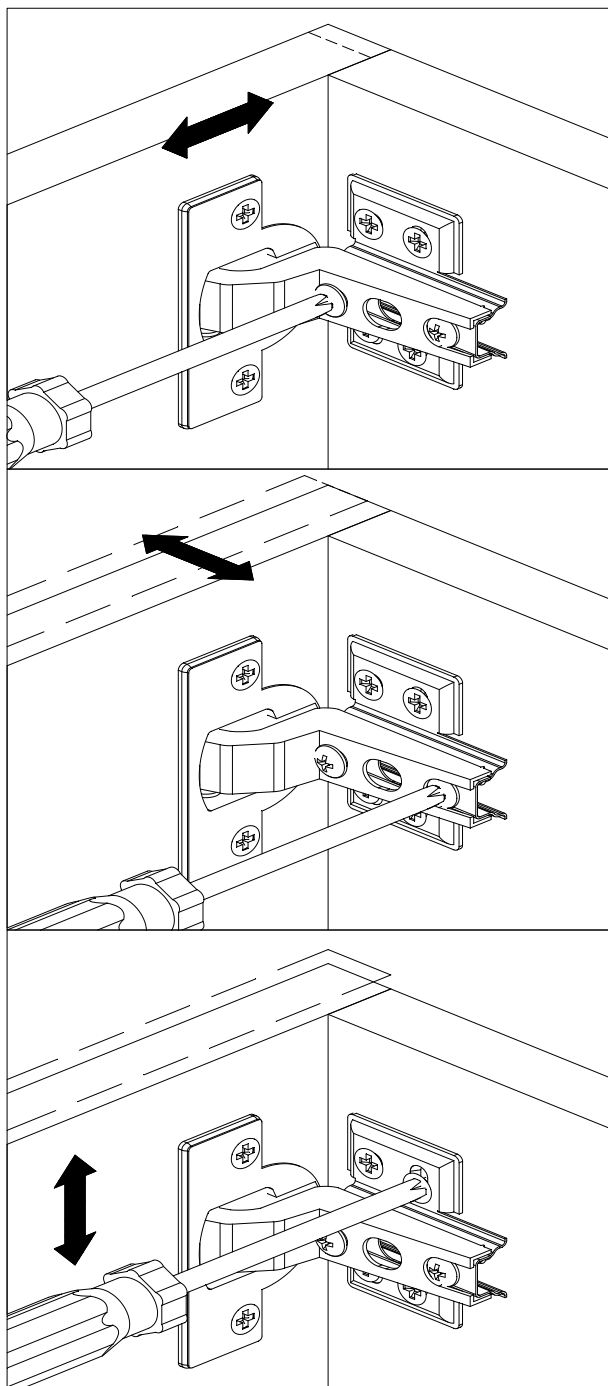
Connect the Outer Drain Channel (12) to the Drain Channel (10) and fasten with the Coupling (8).

Insert the Outer Drain Channel (12) into the Drain Channel (10) and cover with the Pipe Cover (11).

STEP 13



**NOTE: THE SCREWDRIVER IS NOT INCLUDED IN THE HARDWARE PACK.**



Use a Phillips screwdriver to re-align or adjust the hinges that attach the doors to the cabinet.



## WARRANTY

Thank you for purchasing a **Simpli Home – Wyndenhall – Brooklyn + Max** product. These products have been made to demanding, high-quality standards and are guaranteed for domestic use against manufacturing faults for a period of 12 months from the date of purchase. This warranty does not affect your statutory rights.

In case of any malfunction of your product (failure, missing parts, etc.) please contact us at our toll free service line at 1-866-518-0120 ext.262 from 9 am to 4 pm, Monday to Friday, Eastern Standard Time or by email at [customerservice@simpli-home.com](mailto:customerservice@simpli-home.com).

We reserve the right to repair or replace the defective product, at its discretion.

This product is guaranteed for 12 months if used for normal purposes. Any warranty is invalid if the product has been overloaded or subject to neglect, improper use or an attempted repair by other than an authorized agent. Heavy-duty or daily professional/commercial usage are not guaranteed.

Due to continuous product improvement, we reserve the right to change the product specifications without prior notice.