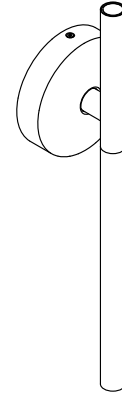


Features

- A perfect complement to our Components suite of products
- Suitable for any living space, allowing you to create a cohesive design aesthetic throughout your home
- Dimmable, integrated LED emits beautiful ambient light at the perfect color temperature
- Can be positioned up or down depending upon room setting
- Suitable for damp locations, per UL 1598

Material

- Manufactured with quality materials and complemented with a meticulous finishing process
- Durable finishes engineered to last and designed to coordinate with KOHLER faucet finishes



Codes/Standards

California Energy Commission (CEC)
UL 1598
CSA C22.2 No. 250.0
CA Title 24 JA8
cETL Listed
ETL Listed

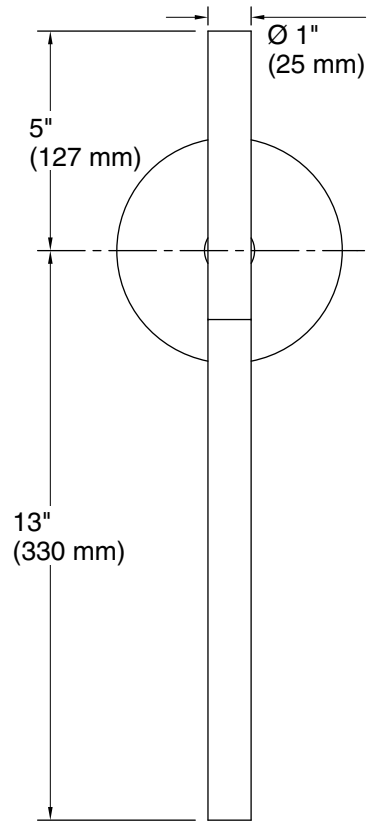
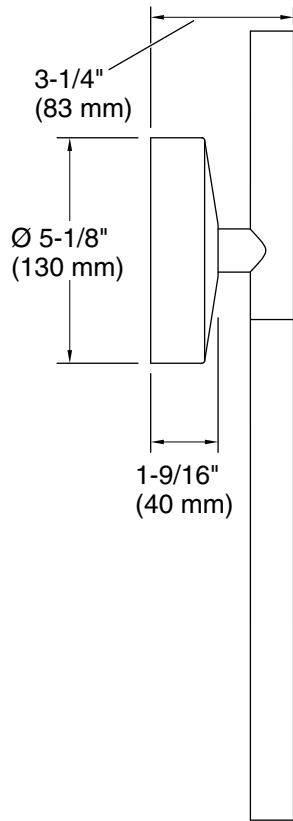
KOHLER® Indoor Lighting Fixtures Limited Warranty

See website for detailed warranty information.

Available Colors/Finishes

Color tiles intended for reference only.

Color	Code	Description
	SNL	Polished Nickel
	BNL	Brushed Nickel
	CPL	Polished Chrome
	BLL	Matte Black
	2GL	Brushed Moderne Brass



Required Electrical Service

One circuit required.

Lights: 120 V, 0.977 A, 60 Hz

Technical Information

All product dimensions are nominal.

Material: Steel, Aluminum, Glass

Number of Lights: 1

Lighting Type: Integrated LED

Number of Shades: 2

Shade Type: Glass - frosted

Hanging Type: Non-hanging

CRI: >=90

Life Span: 50000 Hours

Electrical component rating: LED: 60 Hz, 10 W, 500 Lumens, 3000K